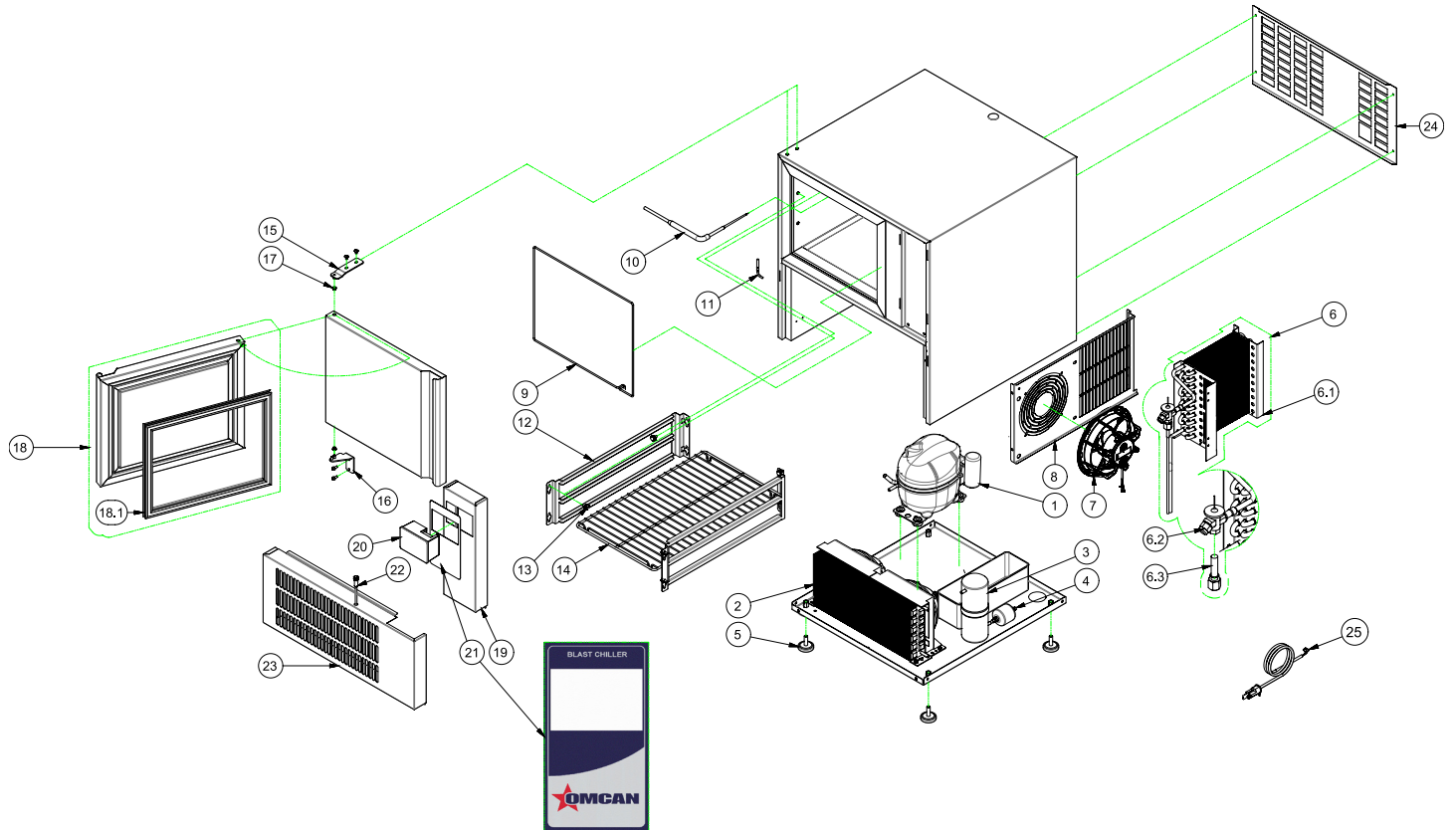


Parts Breakdown

Model BC-IT-0103-T 46671



Parts Breakdown

Model BC-IT-0103-T 46671

| Item No. | Description | Position | Item No. | Description | Position | Item No. | Description | Position |
|----------|--|----------|----------|---|----------|----------|---------------------------------------|----------|
| 42070 | Compressor Copeland Hermetic AFE17C4E-IAV-901 R404A 208-230/60Hz for 46671 | 1 | AD078 | Conveyor for 46671 | 8 | AD083 | Foamed Door for 46671 | 18 |
| 42071 | Air Condenser STVF157 for 46671 | 2 | 42083 | Frame Heating Element AB-03 15W/M for 46671 | 9 | 42068 | Door Magnet Gasket AB-03 D7 for 46671 | 18.1 |
| 42105 | Liquid Receiver 0.8 LT for 46671 | 3 | 42110 | Core Probe PTC 1000 L=3000 Gray for 46671 | 10 | AD084 | Control Panel Dashboard for 46671 | 19 |
| 42103 | Filter 50x6mm for 46671 | 4 | 42109 | Chamber Probe PTC L=2500 Green for 46671 | 11 | AD085 | Electronic Card EVJ815P9PX3 for 46671 | 20 |
| 42067 | Feet H=20 D=45 M10 Black for 46671 | 5 | AD079 | Grid Stead for 46671 | 12 | AD086 | Adhesive Mask Omcan for 46671 | 21 |
| AD075 | Evaporating Unit for 46671 | 6 | AD080 | Pin for Grid Stead for 46671 | 13 | AD087 | Magnetic Microswitch for 46671 | 22 |
| AD076 | Evaporator for 46671 | 6.1 | AD081 | Grid GN 1/1 for 46671 | 14 | AD088 | Lower Cover for 46671 | 23 |
| AD077 | Thermostatic Valve for 46671 | 6.2 | AD082 | Upper Hinge for 46671 | 15 | AD089 | Rear Cover for 46671 | 24 |
| 64966 | Flat Inlet TE2 N°00 ODF for 46671 | 6.3 | 42090 | Inferior Door Hinge AB-03 for 46671 | 16 | AD090 | Power Supply Cable for 46671 | 25 |
| 42082 | Fan W1G172-EC91-01 for 46671 | 7 | 42066 | Door Bush D9 H=1,5 for 46671 | 17 | | | |