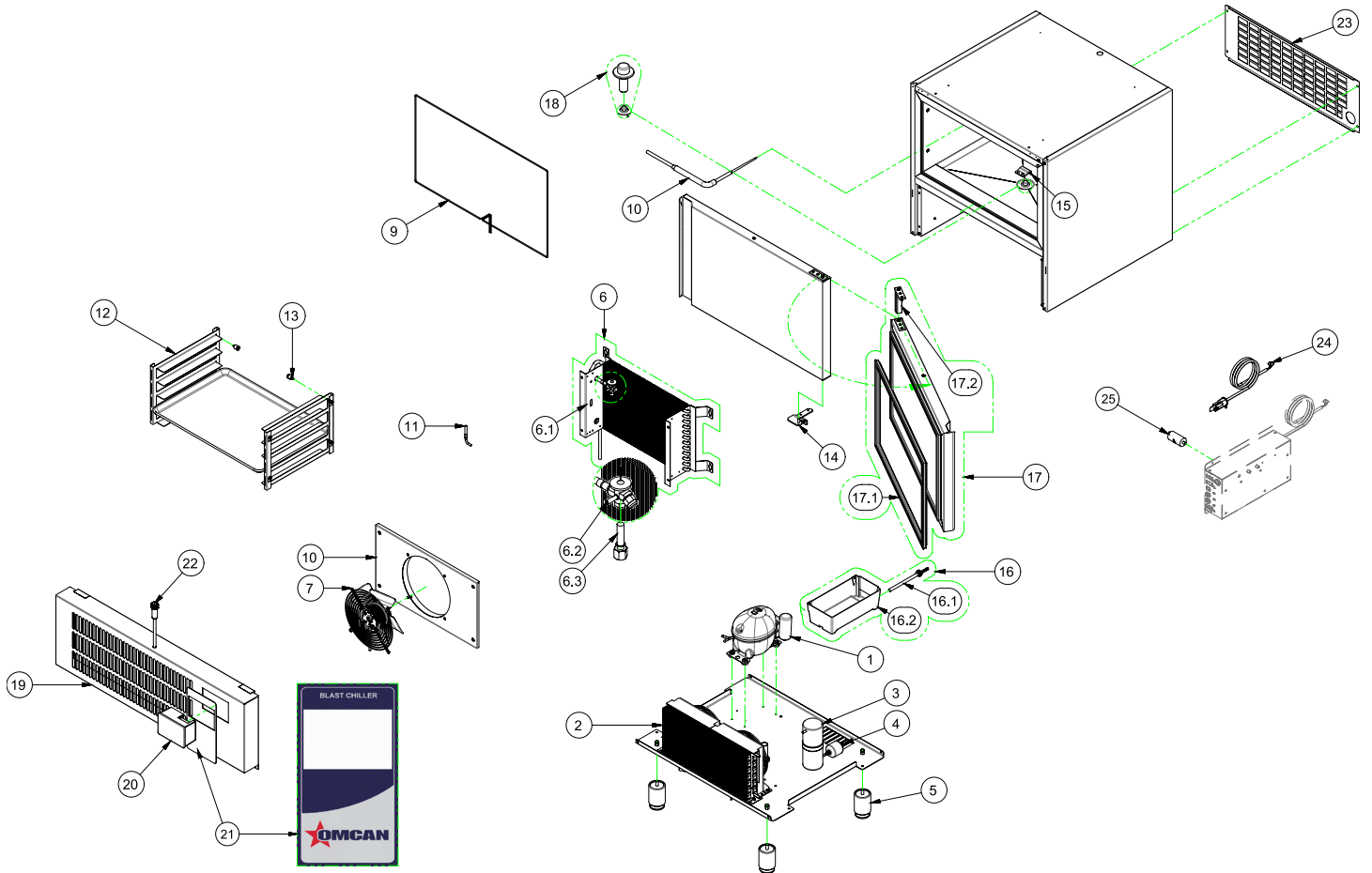


# Parts Breakdown

Model BC-IT-0905-T 46672



# Parts Breakdown

## Model BC-IT-0905-T 46672

Item No.	Description	Position	Item No.	Description	Position	Item No.	Description	Position
64969	Compressor ASP NT2178GK - R404A for 46672	1	64960	Frame Heating Element AB05T 15W/M for 46672	9	64959	Door Magnet Gasket AB-E4-05 for 46672	17.1
AD091	Condenser for 46672	2	42110	Core Probe PTC 1000 L=3000 Gray for 46672	10	42094	Door Pivot Hinge 28L S/F-13 for 46672	17.2
42105	Liquid Receiver 0.8 LT for 46672	3	42109	Chamber Probe PTC L=2500 Green for 46672	11	AD100	Assembled Blast Chiller Cap for 46672	18
42103	Filter 50x6mm for 46672	4	AD096	Grid Stead for 46672	12	AD101	Dashboard for 46672	19
AD092	Adjustable Foot for 46672	5	AD097	Pin for Grid Stead for 46672	13	AD085	Electronic Card EVJ815P9PX3 for 46672	20
AD093	Evaporating Unit for 46672	6	42118	Right Inferior Hinge for 46672	14	AD086	Adhesive Mask Omcan for 46672	21
42100	Evaporator AB-05 for 46672	6.1	64961	Right Superior Hinge for 46672	15	AD087	Magnetic Microswitch for 46672	22
AD094	Thermostatic Valve for 46672	6.2	42120	Evaporation Water Tank 190W L=1500 for 46672	16	AD102	Rear Cover for 46672	23
64966	Flat Inlet TE2 N° 00 ODF for 46672	6.3	AD098	PTC Resistance 190W for 46672	16.1	AD090	Power Supply Cable for 46672	24
42111	ZHIEL Fan AB D=300 + 2COND for 46672	7	AD099	Evaporating Bowl for 46672	16.2	42113	Electric Condenser 2MF for 46672	25
AD095	Conveyor for 46672	8	64963	Foamed Door AB ECO-E4-05 DX for 46672	17			