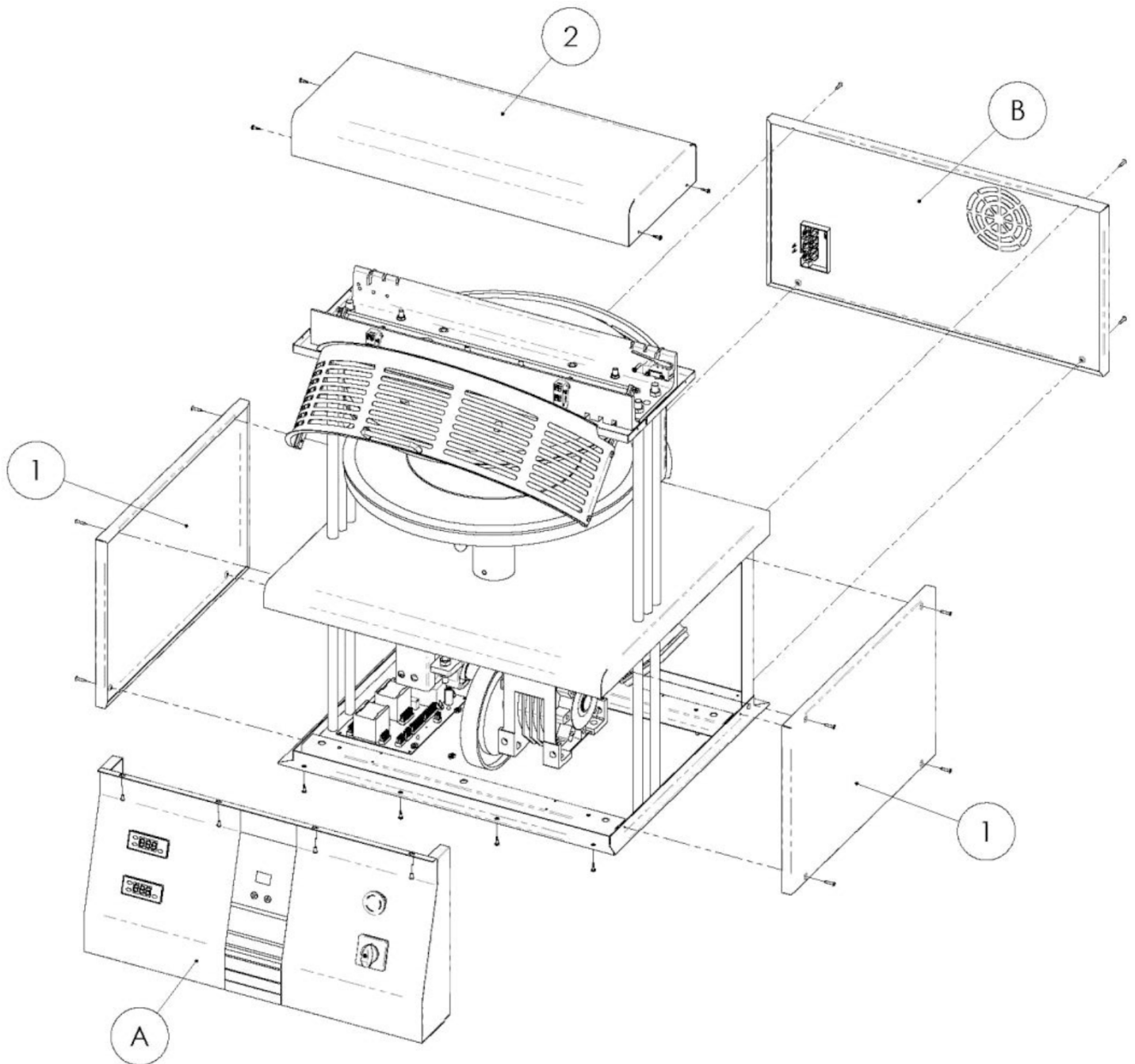


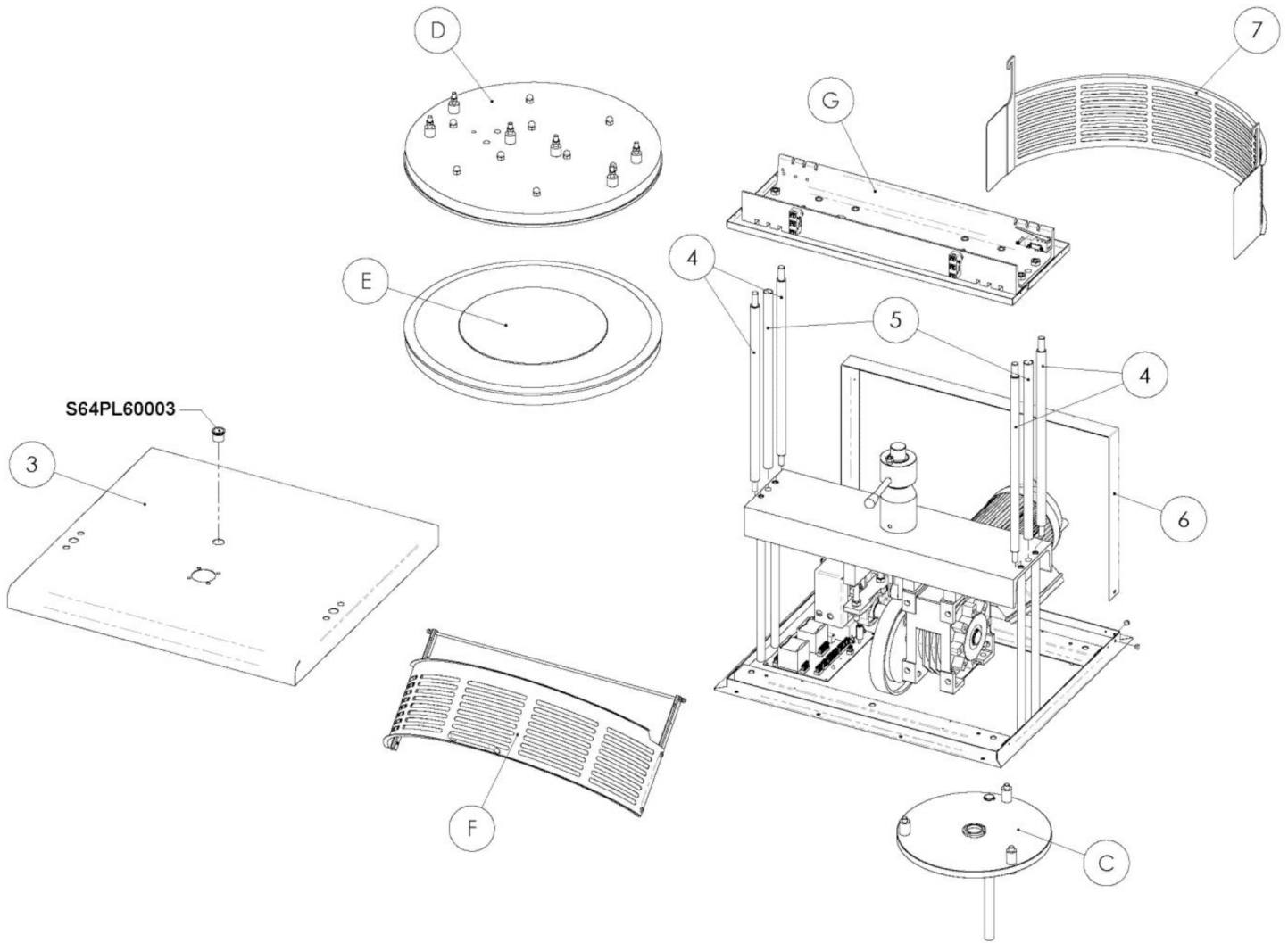
Parts Breakdown

Model **BE-IT-0045** 45356



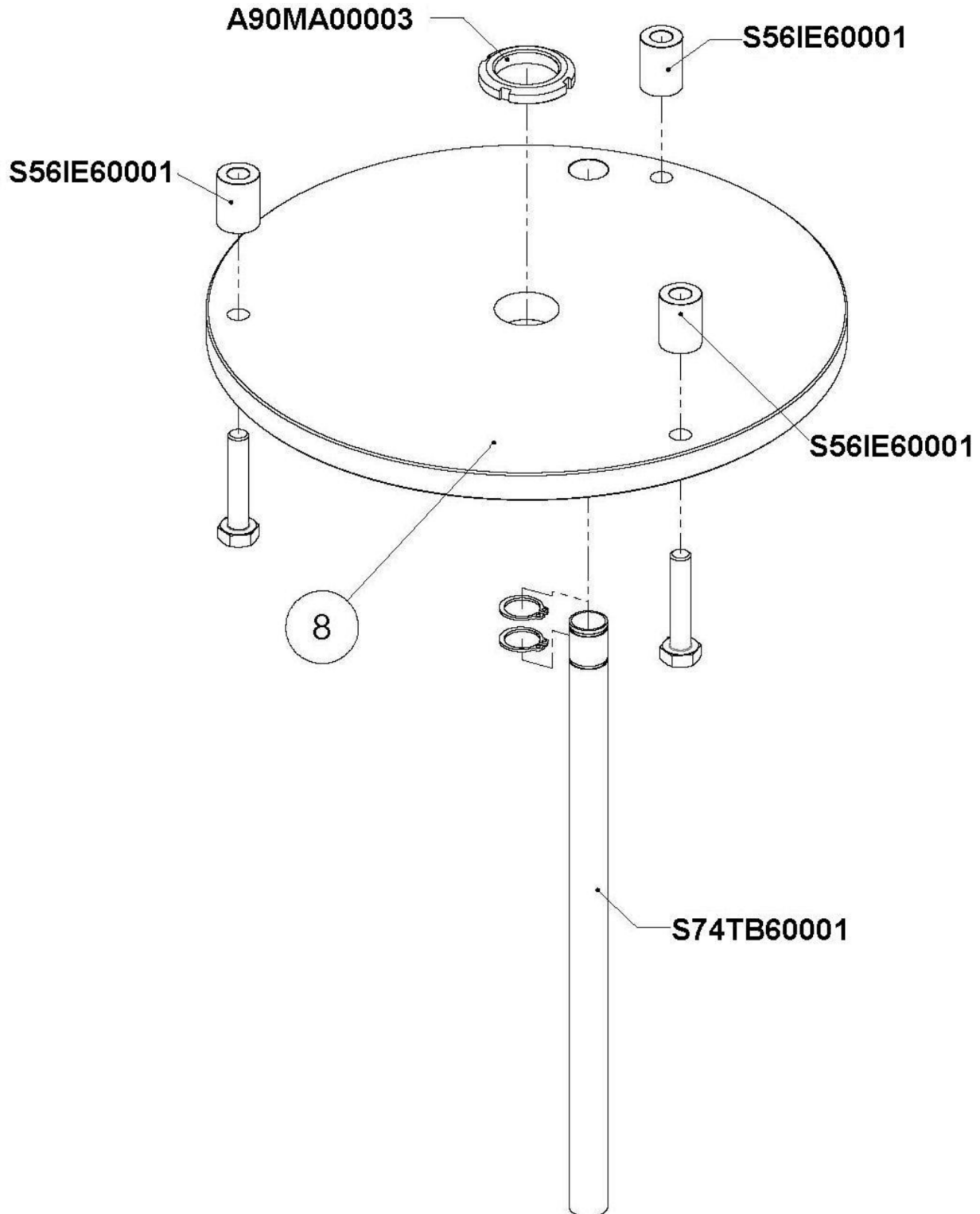
Parts Breakdown

Model **BE-IT-0045** 45356



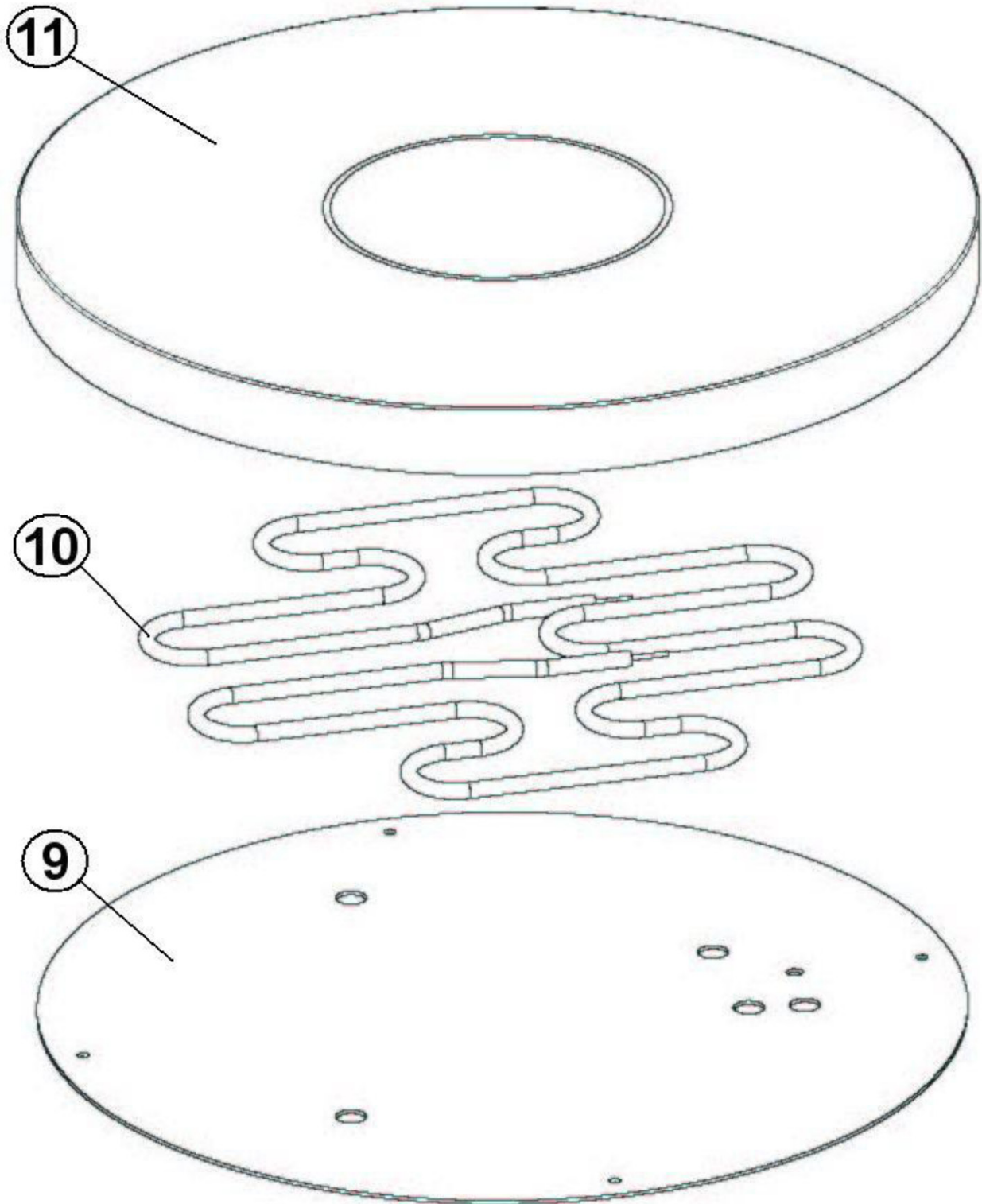
Parts Breakdown

Model **BE-IT-0045** 45356



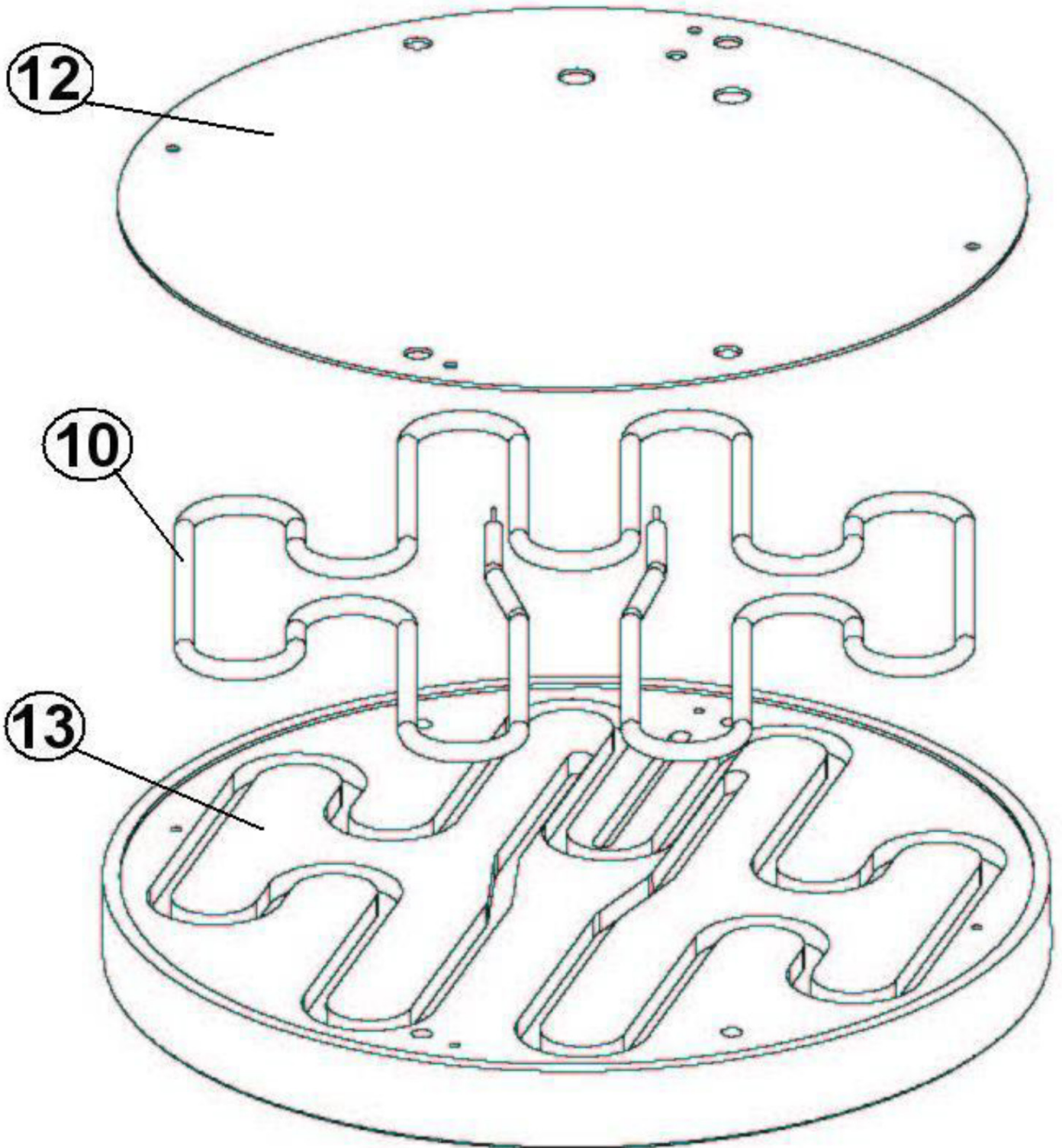
Parts Breakdown

Model *BE-IT-0045* 45356



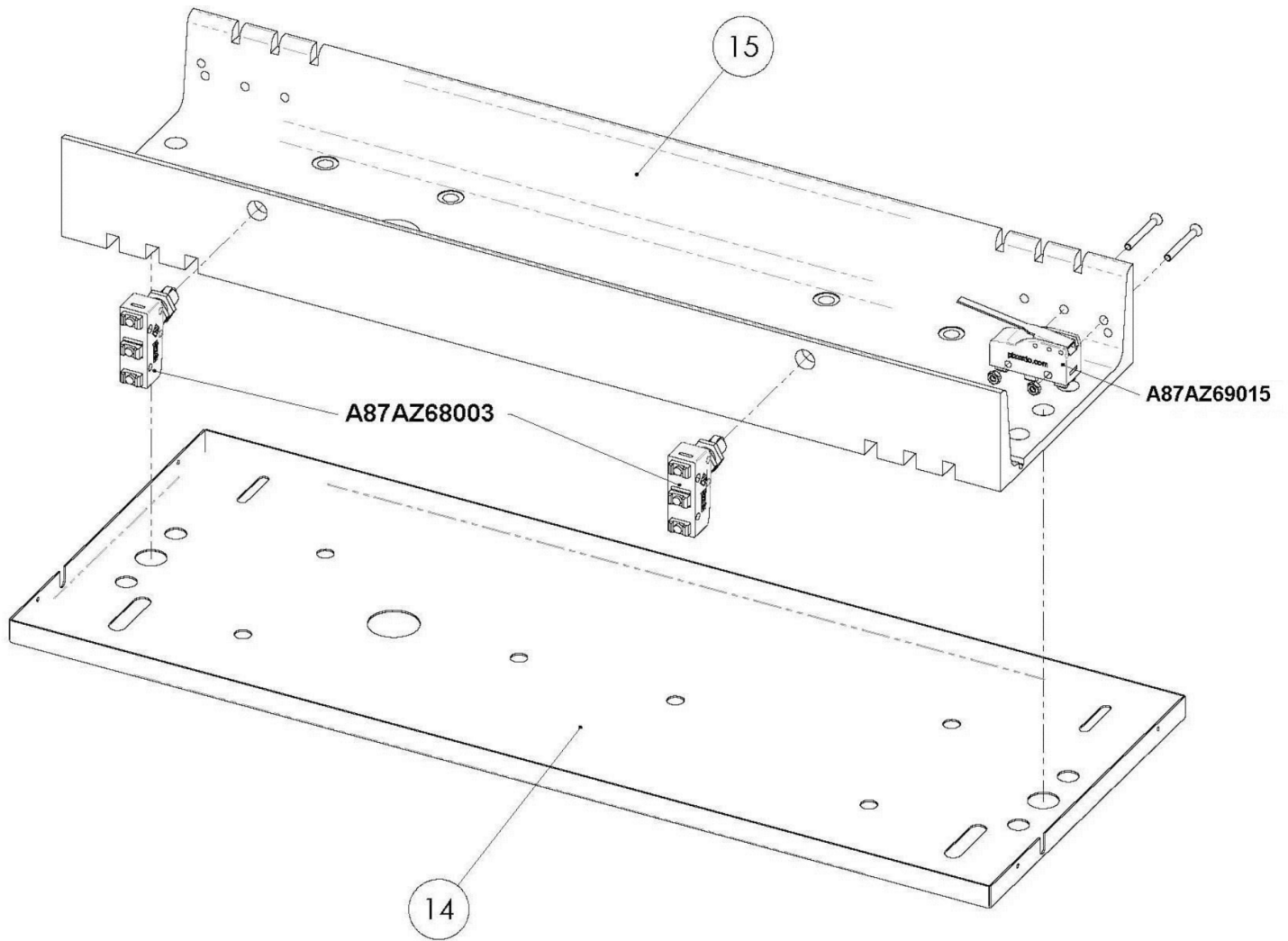
Parts Breakdown

Model *BE-IT-0045* 45356



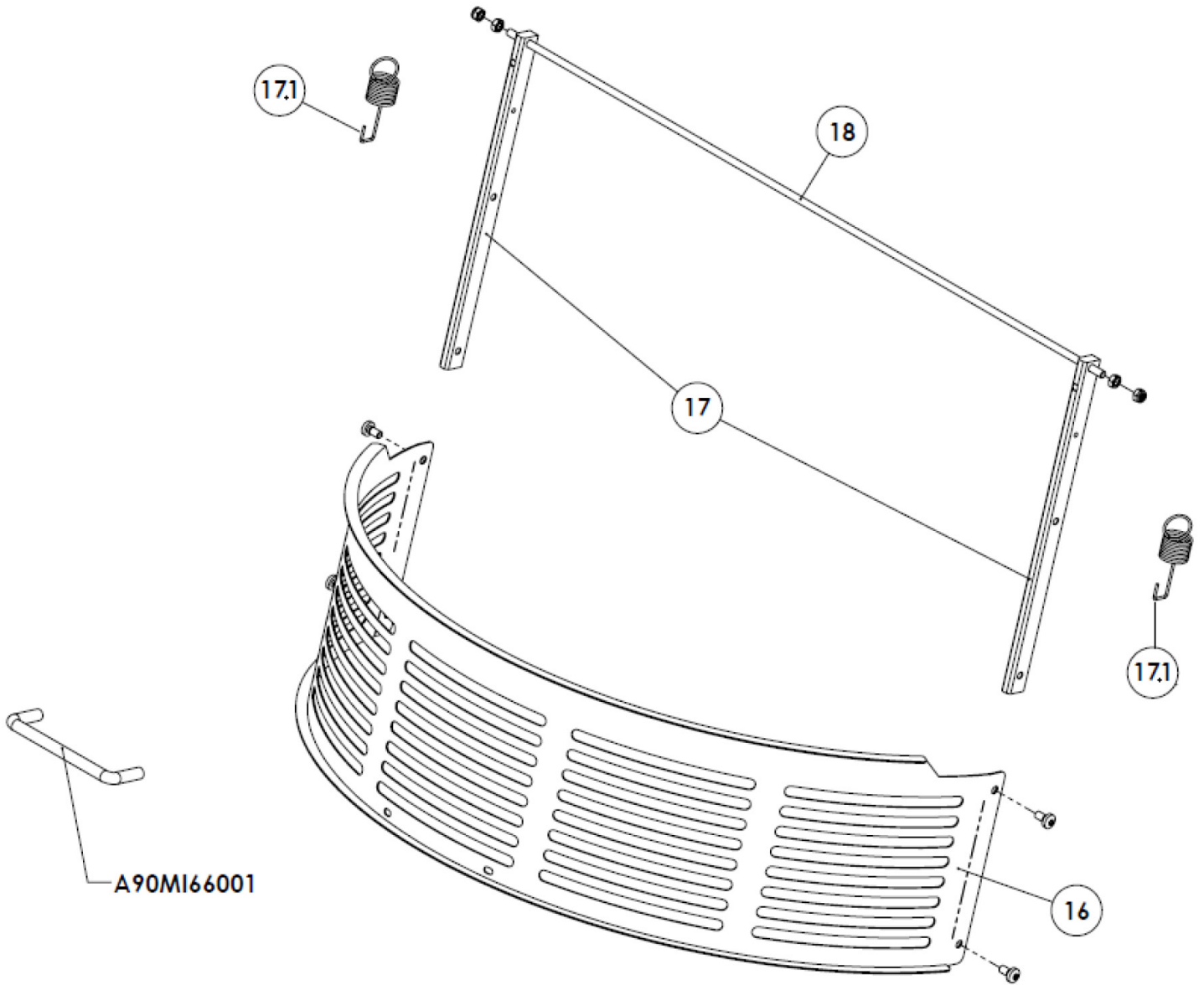
Parts Breakdown

Model **BE-IT-0045** 45356



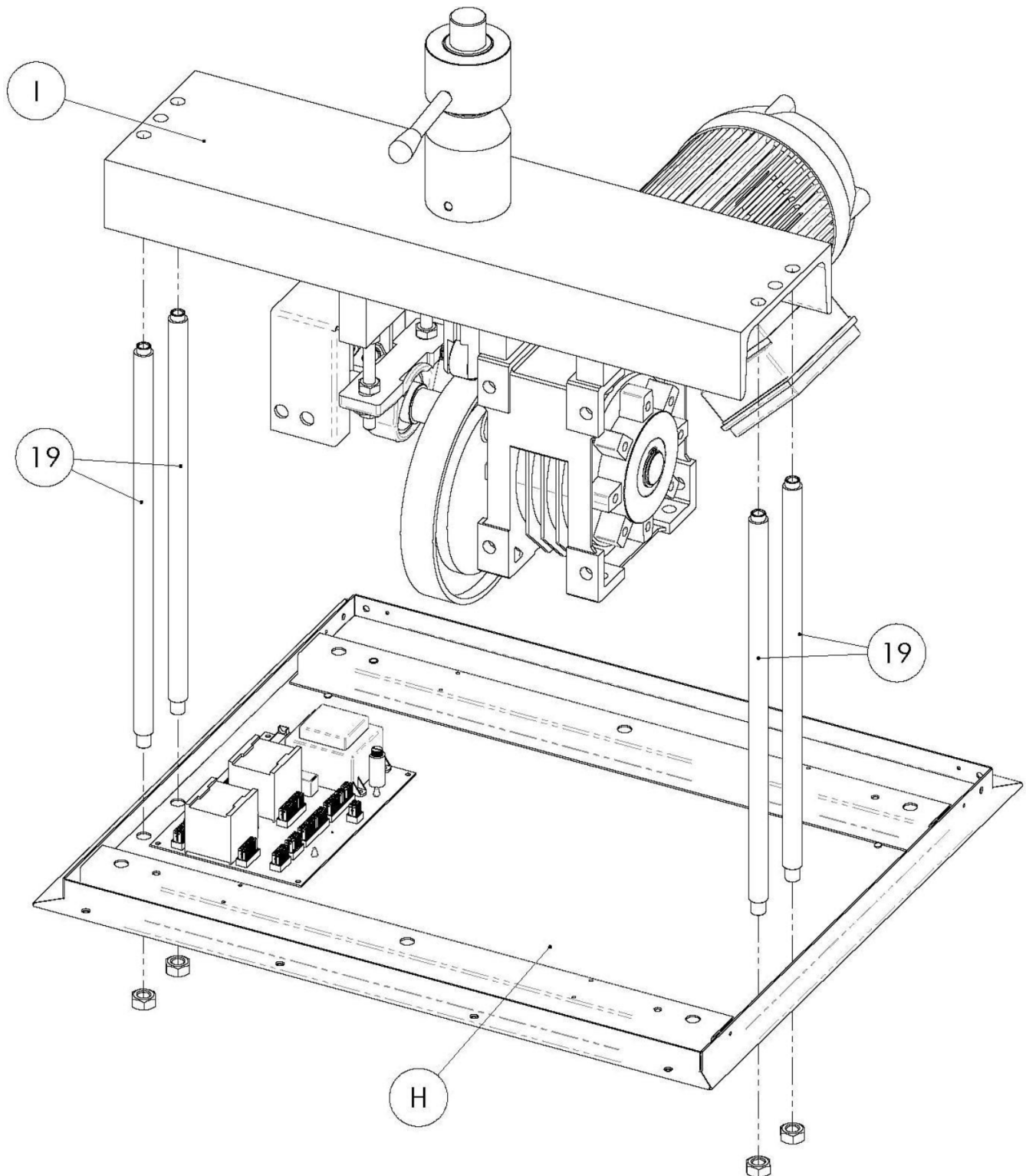
Parts Breakdown

Model **BE-IT-0045** 45356



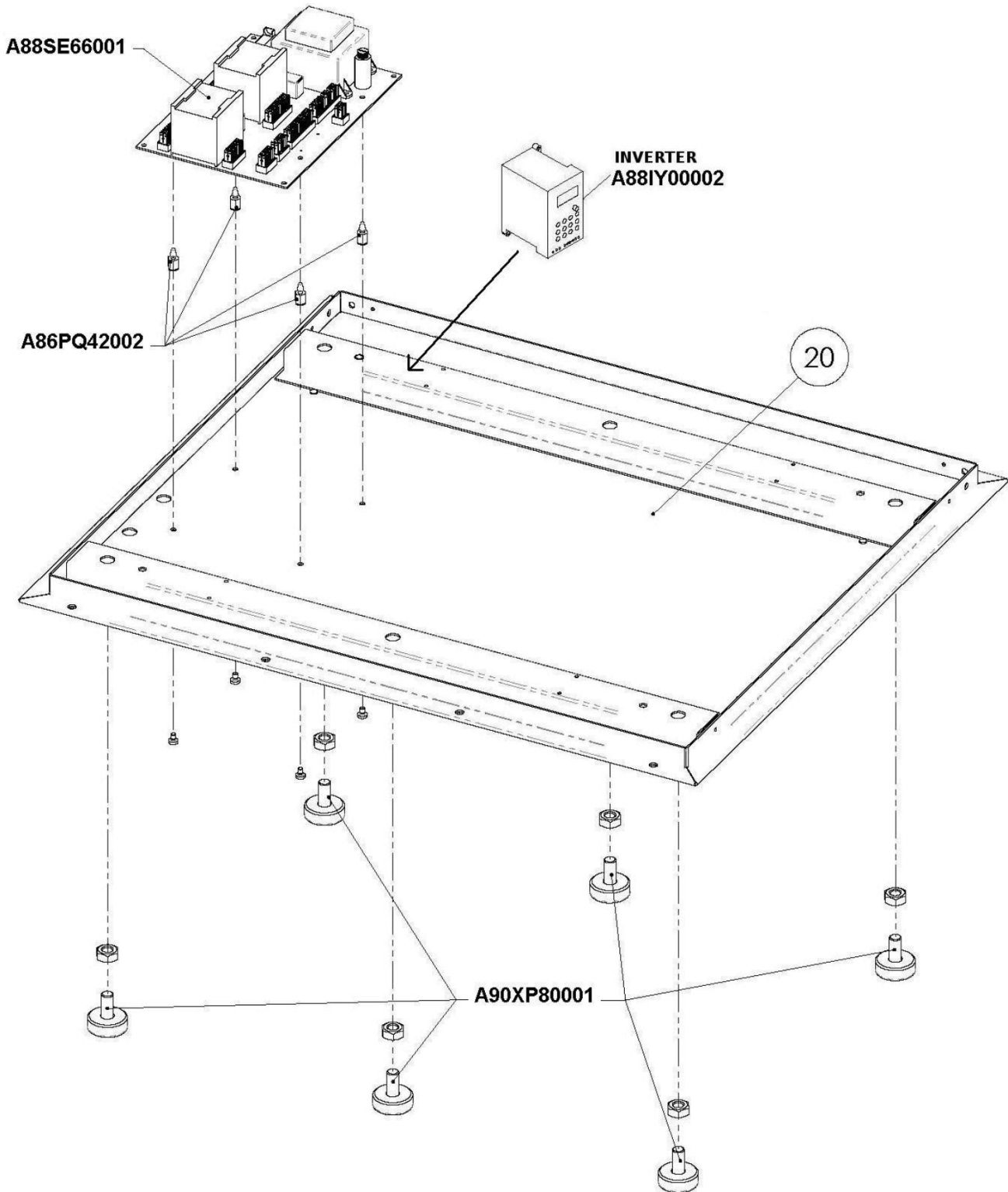
Parts Breakdown

Model **BE-IT-0045** 45356



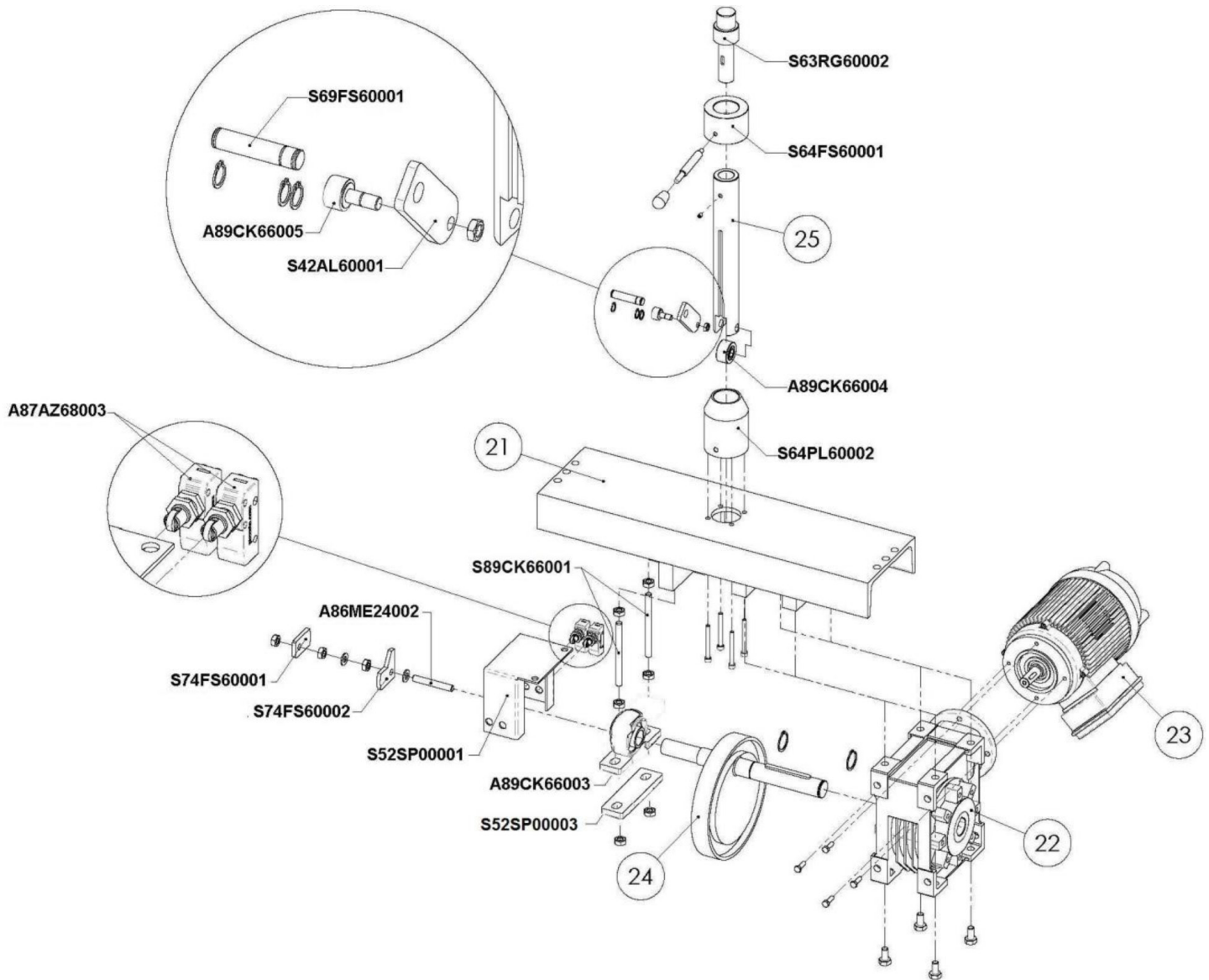
Parts Breakdown

Model **BE-IT-0045** 45356



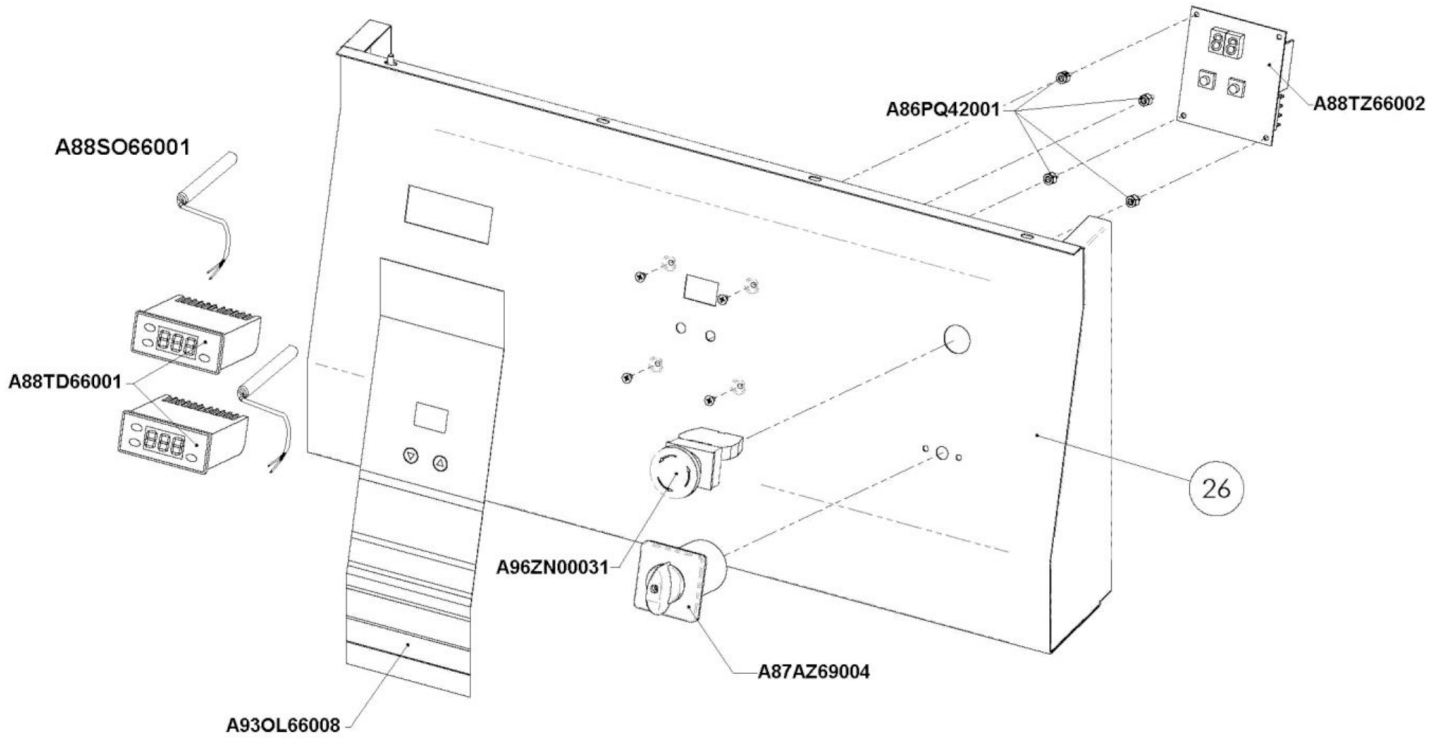
Parts Breakdown

Model **BE-IT-0045** 45356



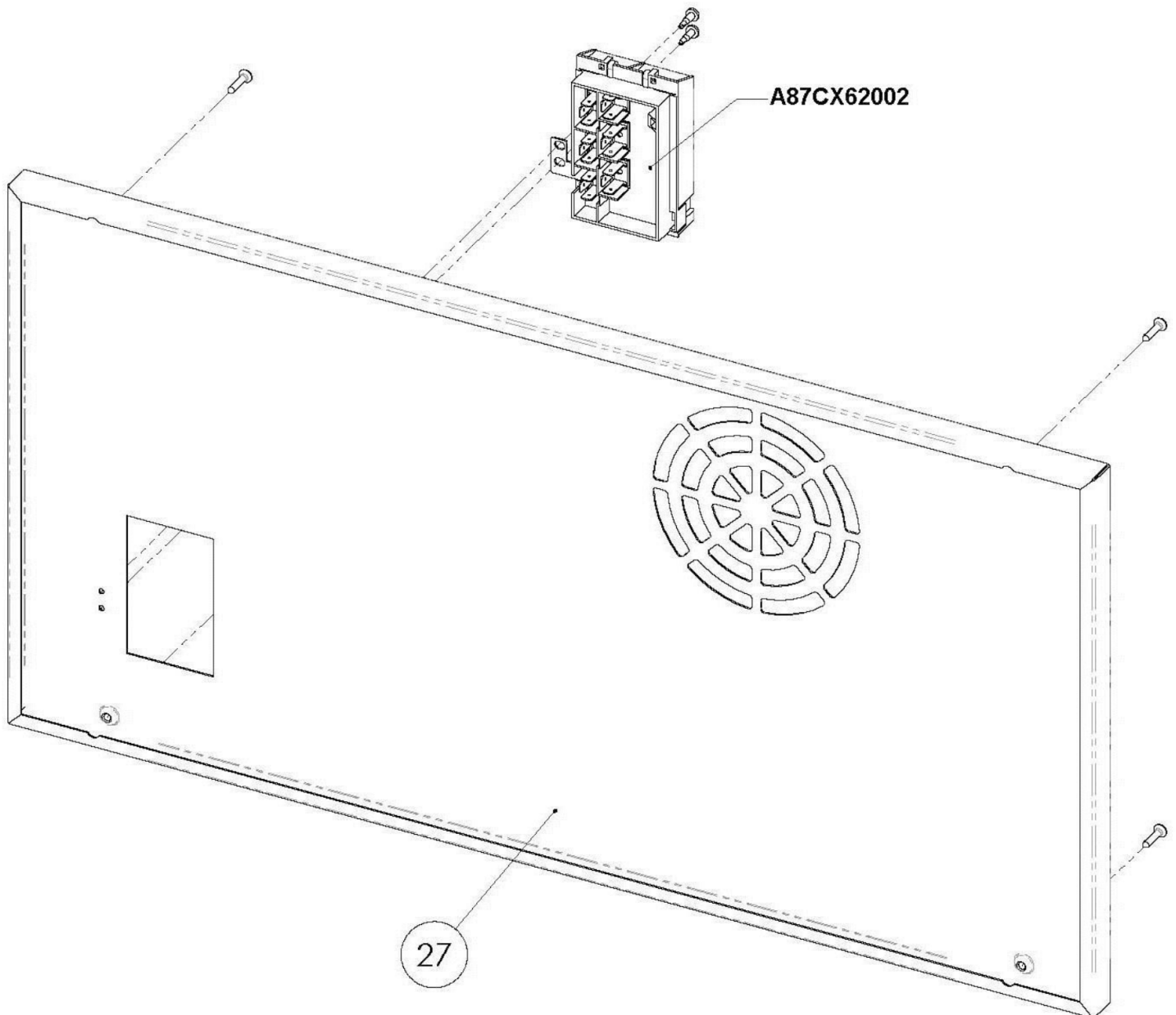
Parts Breakdown

Model **BE-IT-0045** 45356



Parts Breakdown

Model **BE-IT-0045** 45356



Parts Breakdown

Model BE-IT-0045 45356

Item No.	Description	Position	Item No.	Description	Position	Item No.	Description	Position
61072	Side Panel for PF45	1	61093	Bottom Assembly for PF45	20	61370	Roller Bearing Nut R15 for PF45	A89CK66004
61073	Cover for PF45	2	61094	Intermediate Crossbeam Assembly for PF45	21	61359	Bearings Needle Roller INA KR 19 PP for PF45	A89CK66005
61074	Upper Enclosure for PF45	3	61095	Reduction Panel Umi 75 1/70 Pam80 / B14 for PF45	22	61347	Ferrule M30 for PF45	A90MA00003
61075	Upper Column for PF45	4	61097	Engine 230+400 V - 1.1 kW - 50 Hz 80 for PF45	23	61352	Satin Nickel Handle - Front Protection for PF45	A90MI66001
61076	Central Column 395.5xØ 18 for PF45	5	61098	Complete Cam Shaft for PF45	24	61356	Foot M10 for PF45	A90XP80001
61077	Frame for PF45	6	61099	Vertical Shaft Lock Plates for PF45	25	61374	Label 348x105mm for PF45	A93OL66008
61078	Rear Guard Assembly for PF45	7	61100	Front Assembly Control Panel for PF45	26	61375	Emergency Stop Switch IF/IR for PF45	A96ZN00031
61079	Bottom Plate Disc Support for PF45	8	61101	Rear Panel for PF45	27	61360	Bracket for Shaft for PF45	S42AL60001
61080	Tefloned Lower Plate Lock Disc for PF45	9	61363	Turning Axis of Drive M10x70 for PF45	A86ME24002	61364	Limit Switch Holder for PF45	S52SP00001
61081	Resistance 2500 W 230V for PF45	10	61377	Plastic Spacer CF06H4080-18 06 for PF45	A86PQ42001	61367	Joint Bearing Support for PF45	S52SP00003
61082	Tefloned Lower Plate for PF45	11	61354	Plastic Spacer for PF45	A86PQ42002	61348	Spacer Lower Plate Ø 20x27 for PF45	S56IE60001
61083	Tefloned Upper Plate Lock Disc for PF45	12	61350	Push Button Micro for PF45	A87AZ68003	61369	Ring Nut for PF45	S64FS60001
61084	Tefloned Upper Plate with Edges for PF45	13	42035	Four-Pole Switch 16A "Giovenzana" for PF45	A87AZ69004	61371	Guide Bushing for Shaft for PF45	S64PL60002
61085	Tefloned Upper Plate without Edges for PF45	13	61351	Lever Micro MS30 for PF45	A87AZ69015	61346	Bush for Vertical Shaft for PF45	S64PL60003
61086	Upper Cover Base for PF45	14	61379	External Terminal Block for PF45	A87CX62002	61358	Pin for PF45	S69FS60001
61087	Upper Crossbeam for PF45	15	61355	Inverter ATV12HU15M2 1.5 KW 200/240V 50/60HZ for PF45	A88IY00002	61361	Microswitch Cam for PF45	S74FS60001
61088	Front Guard for PF45	16	61353	Power Card PFD for PF45	A88SE66001	61362	Microswitch Double Cam for PF45	S74FS60002
61089	Front Guard Fixing Rod for PF45	17	61372	Probe TCJ B46V 16,4 IND L= MT.1,6 Ø6x40 for PF45	A88SO66001	61349	Cable Protection Hose for PF45	S74TB60001
61090	Traction Spiral Spring Pizzaform for PF45	17.1	61373	Digital Thermoregulator EVK411J7 for PF45	A88TD66001	61365	Spacer for Joint Bearing Support 175xM10 for PF45	S89CK66001
61091	Tie-Rod for Central Micro Switch 565xM5 for PF45	18	61378	0-1.5 Sec. Display Timer for PF45	A88TZ66002			
61092	Lower Column for PF45	19	61366	Joint Bearing Support UCP 205 for PF45	A89CK66003			