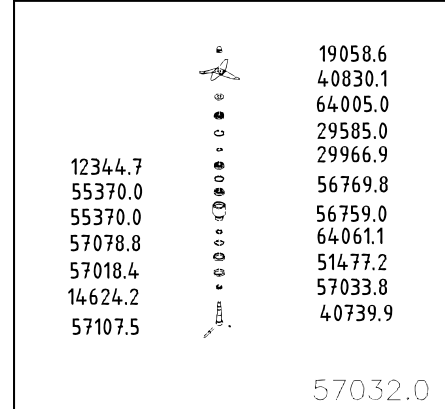
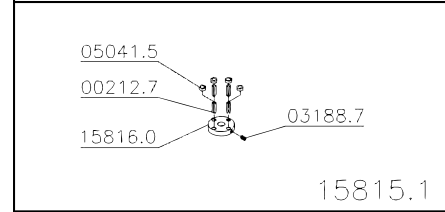
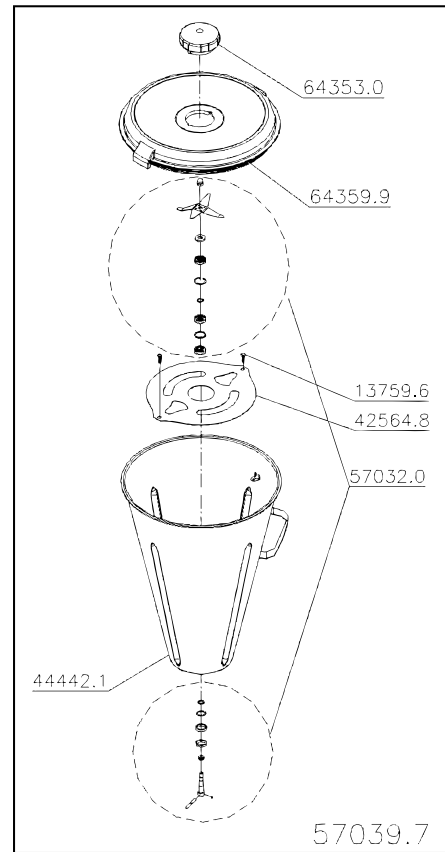
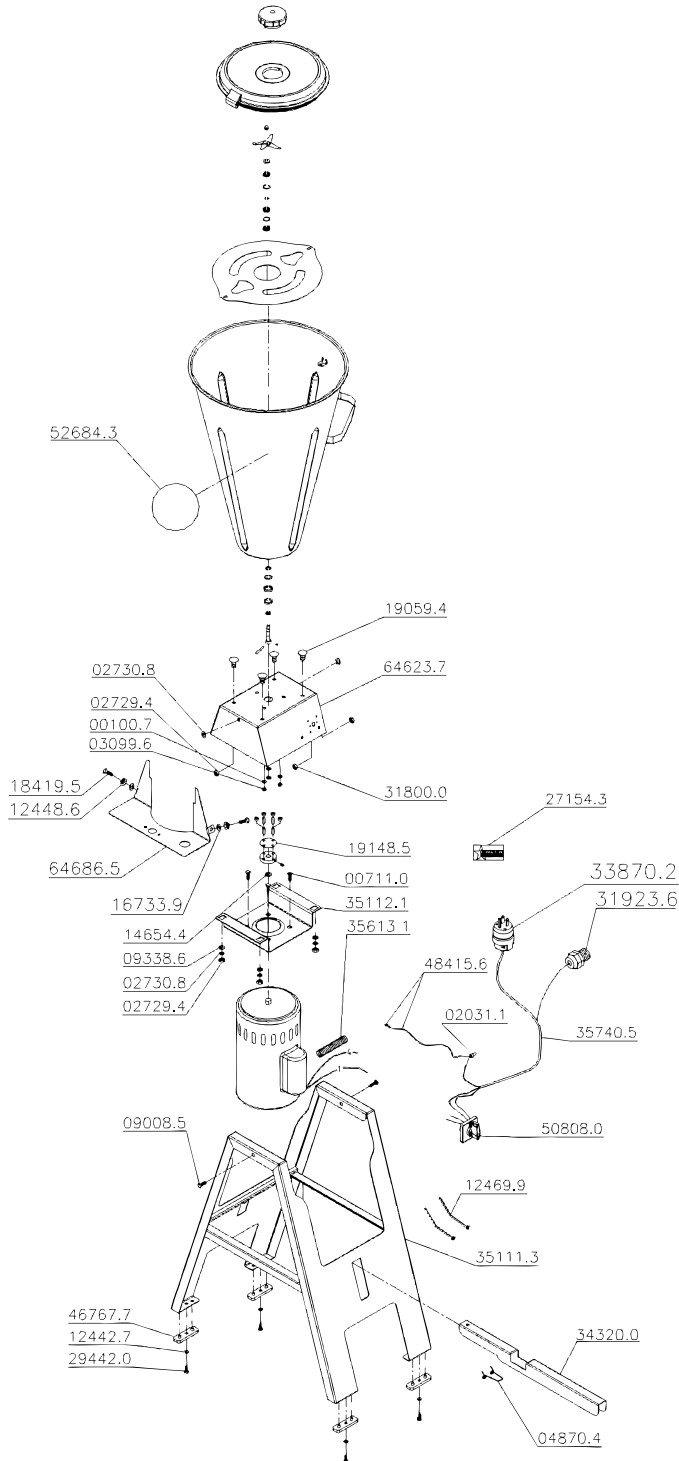


Parts Breakdown

Model **BL-BR-0025** 31502



Parts Breakdown

Model BL-BR-0025 31502

Item No.	Description	Position	Item No.	Description	Position	Item No.	Description	Position
38109	Skymesen Logo Small for 31502	00047.7	38319	Distance Washer for 31502	14644.7	79055	Sleeve for 31502	39691.5
30234	Washer L 1/4x1 6 ZB for 31502	00100.7	38317	Central Bearing with Bush for 31502	14650.1	70157	Cap Cover for 31502	40753.4
30258	Washer L 5/16 ZB for 31502	00119.8	38314	Lower Nut M22x1,5 for 31502	14653.6	27845	Blade for 31502	40830.1
38217	Elastic Pin 6x22 for 31502	00212.7	38295	Fiber Washer 20x13x0,7 for 31502	14654.4	38304	Cup Set for 31502	40859.0
30186	Wire Passer Molde 0922231 for 31502	00218.6	38312	Nut 10x1,25 for 31502	14660.9	79061	Blade and Bearing Complete for 31502	40867.0
AE704	Pin Elast.6x50 DIN 1481 for 31502	00267.4	38308	Complete Clutch for 31502	15815.1	38315	Center Axis for 31502	40868.9
30324	Six Sided Screw UNC 3/8x7/8 RTZB for 31502	00711.0	38316	LAR 15 Cover for 31502	17456.4	38303	Complete Cup for 31502	40872.7
27692	Insult Term EF-4228 for 31502	01213.0	79037	Positive Terminal Lock for 31502	17581.1	38284	CS Tilting Base Support (Grey) for 31502	41009.8
AE671	PFS M5x10 DIN 7985 ZB for 31502	01639.0	30050	Terminal Cover for 31502	17582.0	AC967	Cup Safety Device for 31502	42564.8
30350	Nylon Cover CN-4472 for 31502	02031.1	27709	Screw M8x16 DIN 933 ZB for 31502	19059.4	38300	Rectangular Foot (MOL 483753) for 31502	46767.7
38557	Screw Nut DIN 934 ZB for 31502	02729.4	79041	Baffle for 31502	19148.5	79065	CB. Ground 1.5mm 2x420mm for 31502	48415.6
27693	Washer L.A8,4 ZB for 31502	02730.8	38341	Washer 1/4x5/8x1,2mm Stainless Steel for 31502	19384.4	78551	Cleaning Maintenance Label for 31502	50665.6
38180	Screw Nut M6 DIN 934 ZB for 31502	03099.6	38087	Washer L.A5.3 Din 125 Inox for 31502	20194.4	45648	Rotating Disconnect Key Switch New Style for 31502	50808.0
38320	Nut M5 DIN 934 ZB for 31502	03145.3	38313	Seal V Ring 16,5x10,5x5,5 for 31502	20378.5	79067	Pedal Separator for 31502	51024.6
27695	Allen Screw M6x8 for 31502	03188.7	27720	Omcan Logo (Machines) for 31502	27154.3	AE686	Complete Cutting Unit for 31502	57032.0
24023	Spring Rocker for 31502	04870.4	38302	PFS Auto Broc 4,2x13 ZB for 31502	29442.0	AE705	Full Cup for 31502	57039.7
38220	Distanc. Washer for 31502	05041.5	AE677	Key with Prot.30223 M2FT2FE3V / 19 for 31502	30565.0	AE706	Complete Cup for 31502	58928.4
38297	PFS M8x40 DIN 933 ZB for 31502	09008.5	27726	Cord Holder PG13.5 LC+P/9 for 31502	31923.6	AE707	CS Tilting Support (Gray) for 31502	62099.8
38171	Cord 3x1 5mm2 with PGRE 2PC1PR for 31502	09104.9	AE678	American Plug Cert.20A 115V (4A255) for 31502	33870.2	AE695	MB Less Overhead for 31502	64353.0
38318	Bearing Seal Ring for 31502	09167.7	38299	Pedal (Grey) for 31502	34320.0	AE708	Cover 25 (FE006-112) for 31502	64359.9
38482	Screw M5x10 DIN 84 INOX for 31502	09197.9	27754	Maintenance/Cleaning Label Comm for 31502	34686.1	AE697	CS Tilting Support (Gray) for 31502	64623.7
38296	Washer L.A10,5 ZB for 31502	09338.6	38322	Rubber Foot for 31502	34895.3	AE699	Protection Plate for 31502	64686.5
16419	Washer L.A6 4 125 INOX for 31502	12442.7	38202	Motor Support for 31502	35057.5	AE700	Motor 1.5CV 60Hz W (14547104) for 31502	64699.7
30045	Bracer K22-LM(T-80) for 31502	12469.9	79052	CS Easel Gray for 31502	35111.3	38306	Complete Lid 25 (FE006 112) for 31502	65172.9
38208	Wire Passer Molde 0922231 for 31502	13737.5	38288	Motor Support (Grey) for 31502	35112.1	AC966	Stand Grey for 31502	68996.3
38292	Screw M6x8 DIN 84 ZB for 31502	14174.7	38289	Plastic Conduit for 31502	35613.1	AE702	CS Closing Cabinet for 31502	69021.0
16434	Motor 1 5HP 60Hz 110V for 31502	14211.5	AE679	CB.3x3,3mm2 S.Jx2m CERTIF. for 31502	35740.5	AE703	CS Tilting Support (Gray) for 31502	69022.8