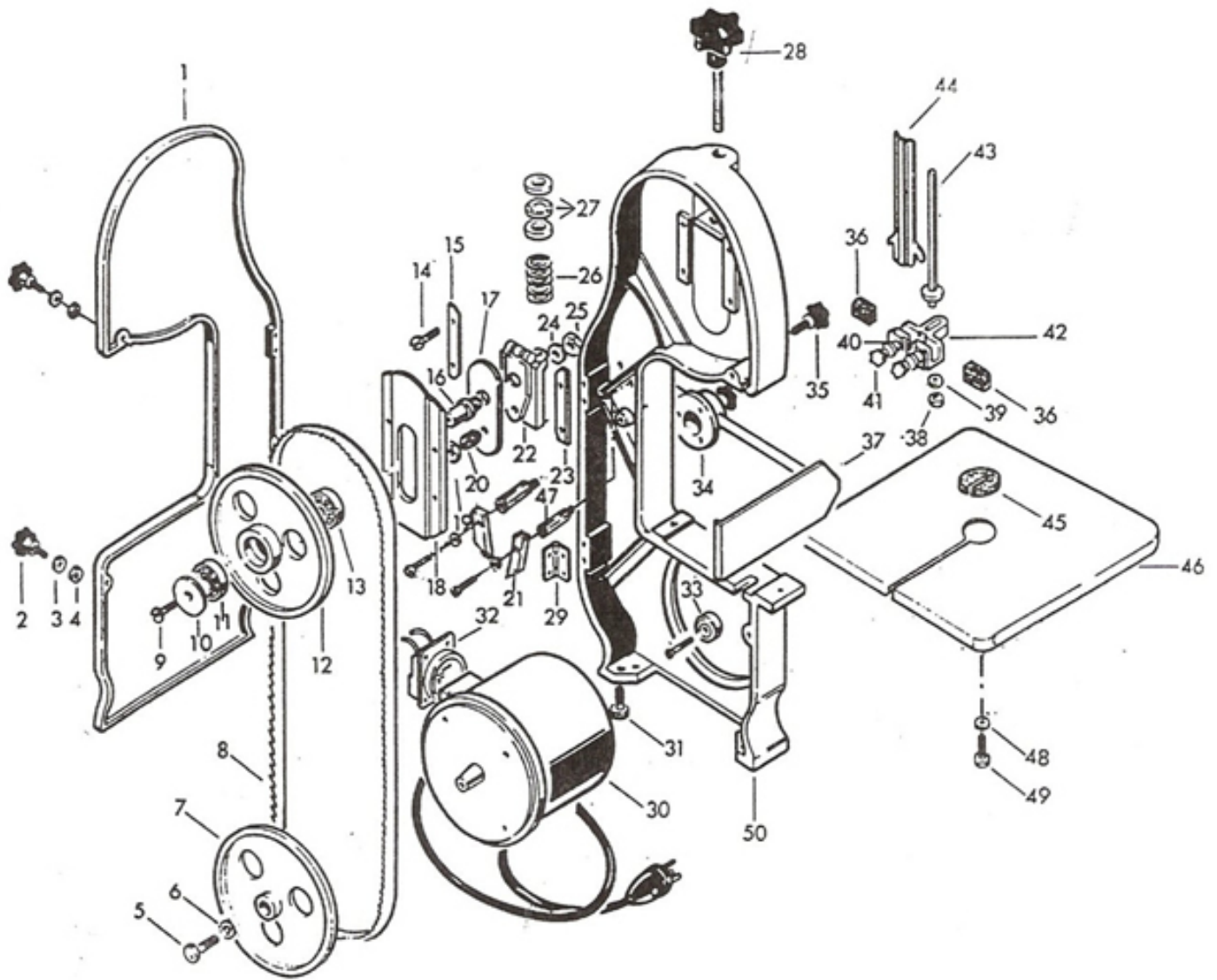


Parts Breakdown

Model BS-IT-1829-M 45506



Parts Breakdown

Model BS-IT-1829-M 45506

Item No.	Description	Position	Item No.	Description	Position	Item No.	Description	Position
34880	Opening for 45506	1	34891	Tension slide for 45506	18	17772	Knob of the transporter guide pole for 45506	35
16445	Knob to close the opening (Complete) for 45506	2	34892	Adjustment fly-wheel screw and nut for 45506	19	16447	Blade guide insert (n° 1) for 45506	36
16445	Knob to close the opening (Complete) for 45506	3	34892	Adjustment fly-wheel screw and nut for 45506	20	34898	Cutting guide and pole for 45506	37
16445	Knob to close the opening (Complete) for 45506	4	22052	Shavehook (n° 1) for 45506	21	34900	Nut and washer for 45506	39
34882	Lower Fly-Wheel screw and washer for 45506	5	34893	Slide for 45506	22	34901	Blade guide ring nut in aluminium (n° 1) for 45506	40
34882	Lower Fly-Wheel screw and washer for 45506	6	34888	Slide support and screw (n° 2) for 45506	23	34902	Blade guide knob (n° 1) for 45506	41
17777	Lower Fly-Wheel for 45506	7	34889	Pivot upper fly-wheel for 45506	24	17774	Blade guide for 45506	42
10328	Band Saw Blade for 45506	8	34889	Pivot upper fly-wheel for 45506	25	34903	Blade guide pole for 45506	43
34885	Fly-Wheel and Screw to protect from dust for 45506	9	34894	Tension grip spring for 45506	26	17775	Blade protection for 45506	44
34885	Fly-Wheel and Screw to protect from dust for 45506	10	34895	Tension grip bearing for 45506	27	17853	Bakelite plate for 45506	45
34886	Bearing 6203 2rs (n° 1) for 45506	11	34896	Tension grip knob for 45506	28	34906	Working table for 45506	46, 48, 49
34887	Upper fly-wheel for 45506	12	34897	Hinge for 45506	29	34908	Shavehook pivot (n° 1) for 45506	47
34886	Bearing 6203 2rs (n° 2) for 45506	13	60335	Single-Phase Motor 120V/60/1 Hz for 45506	30	34909	Carcass (Not Exchangeable) for 45506	50
34888	Slide support and screw (n° 2) for 45506	14	20206	Rubber for 45506	31	34911	Plug for 45506	51
34888	Slide support and screw (n° 2) for 45506	15	17769	Switch and safety relay + box for 45506	32	34912	Microswitch for 45506	
34889	Pivot upper fly-wheel for 45506	16	17770	Pivot and bearing to control the push for 45506	33	34913	Cover of motor for 45506	
34890	Lamination for 45506	17	17771	Cutting guide support and knob for 45506	34			