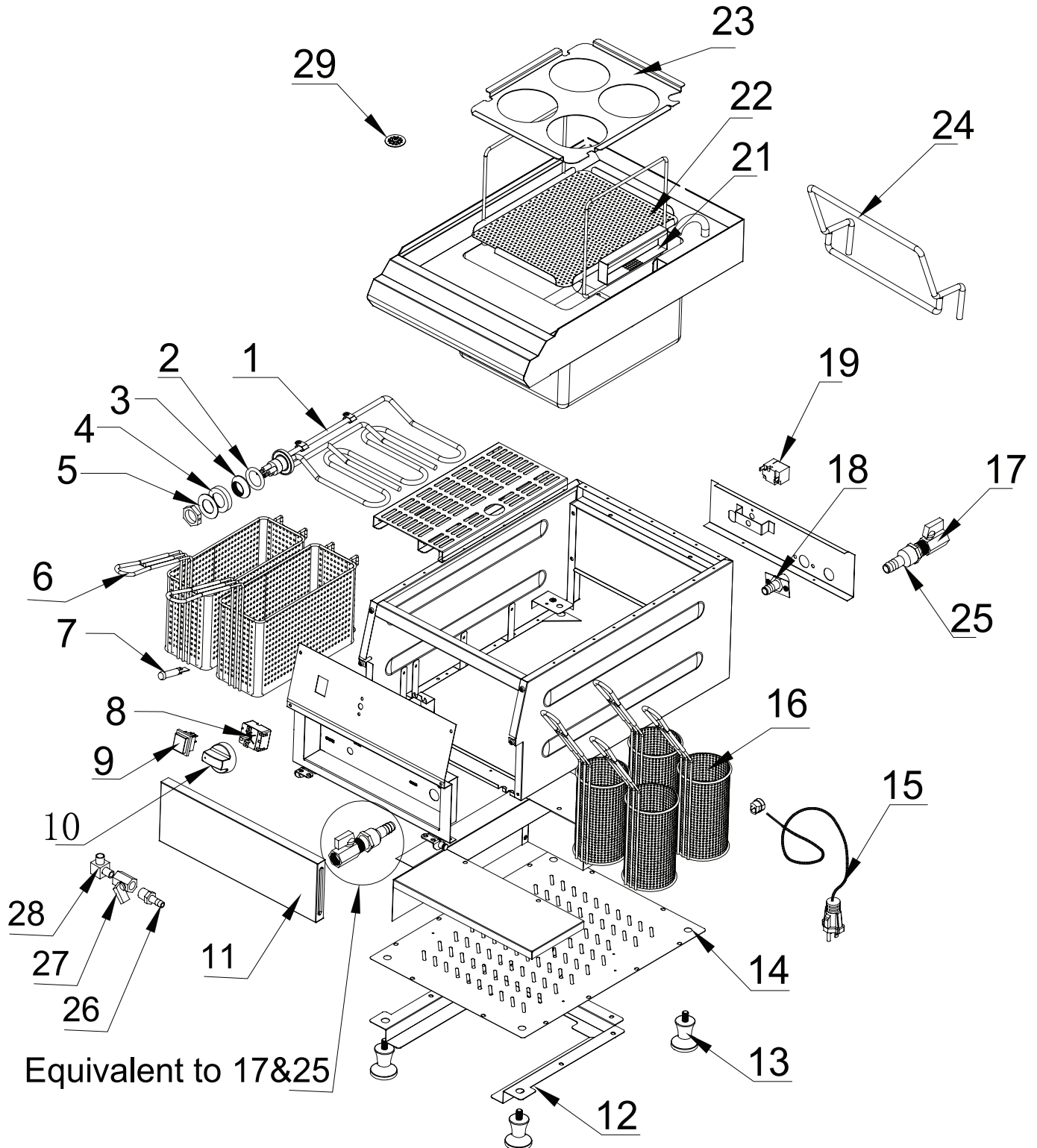


Parts Breakdown

Model CE-CN-0004-P 41882



Parts Breakdown

Model CE-CN-0004-P 41882

Item No.	Description	Position	Item No.	Description	Position	Item No.	Description	Position
72854	Element for 41882	1	72862	Door for 41882	11	72872	Side Filter for 41882	21
72855	O-Ring for 41882	2	72864	Tracks for 41882	12	72873	Filter for 41882	22
72856	Silicone Gasket for 41882	3	72865	Feet for 41882	13	72874	Lid for 41882	23
72857	Teflon Gasket for 41882	4	72866	Base for 41882	14	72875	Hanger for Baskets for 41882	24
72858	Platen for 41882	5	72871	Plug and Lead for 41882	15	66638	Connector 2 for 41882	25
66285	Basket Square for 41882	6	72853	Basket Round for 41882	16	66639	Connector 3 for 41882	26
72863	Indicator Light for 41882	7	72868	Out Valve for 41882	17	66640	Out Valve 2 for 41882	27
72860	Thermostat for 41882	8	72867	Connector for 41882	18	66641	Connector 4 for 41882	28
72859	Switch for 41882	9	72869	Thermal Cut Out for 41882	19	AF724	Bottom Drain with Screw for 41882	29
72861	Knob for 41882	10	72870	Element Cover for 41882	20			