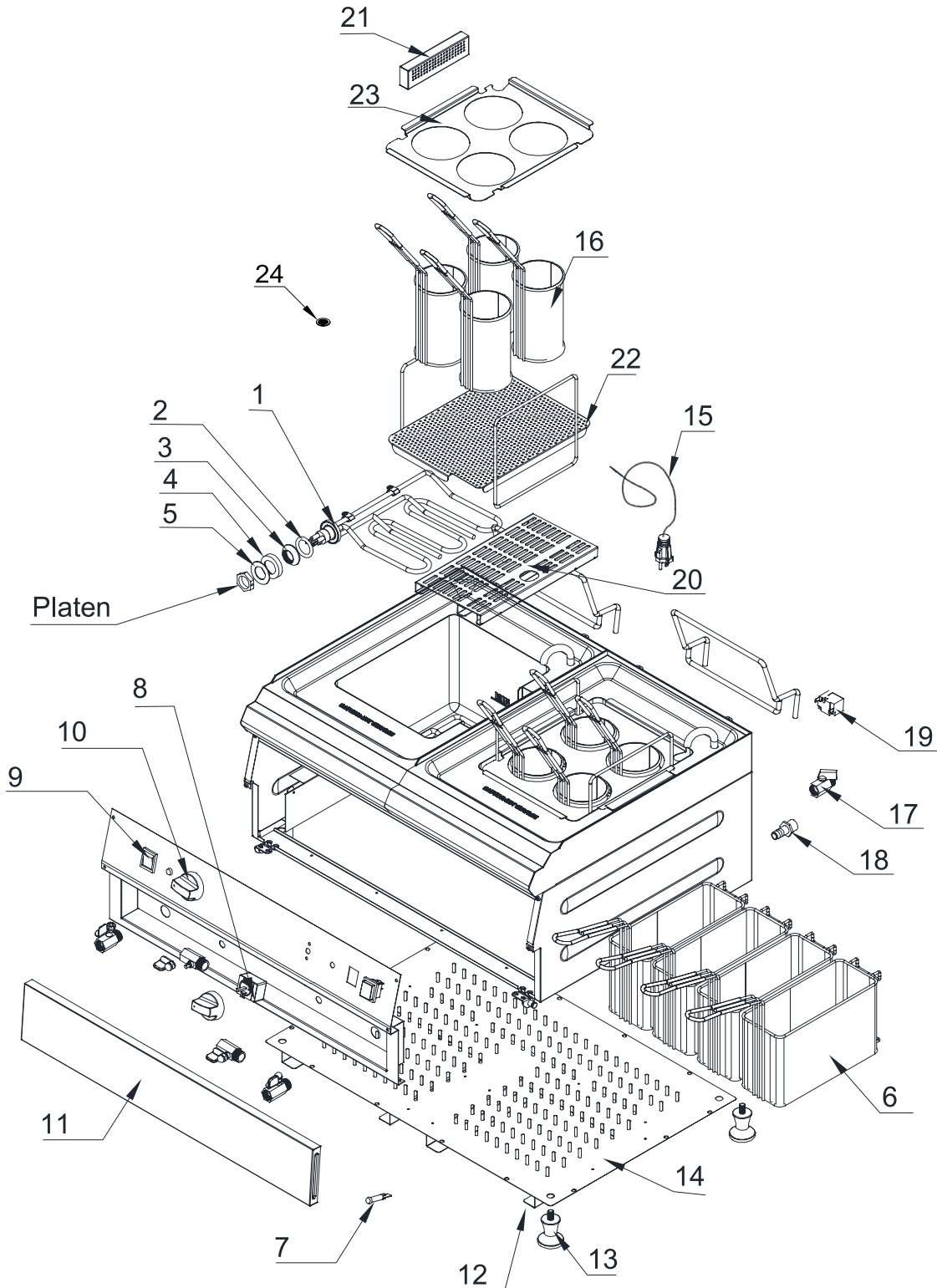


Parts Breakdown

Model CE-CN-0008-P 41883



Parts Breakdown

Model CE-CN-0008-P 41883

Item No.	Description	Position	Item No.	Description	Position	Item No.	Description	Position
72854	Element for 41883	1	72859	Switch for 41883	9	72867	Connector for 41883	18
72855	O-Ring for 41883	2	72861	Knob for 41883	10	72869	Thermal Cut Out for 41883	19
72856	Silicone Gasket for 41883	3	72839	Door for 41883	11	72870	Element Cover for 41883	20
72857	Teflon Gasket for 41883	4	72841	Tracks for 41883	12	72872	Side Filter for 41883	21
72858	Platen for 41883	5	72865	Feet for 41883	13	72873	Filter for 41883	22
66285	Basket Square for 41883	6	72843	Base for 41883	14	AF724	Bottom Drain with Screw for 41883	24
72863	Indicator Light for 41883	7	72853	Basket Round for 41883	16	72852	Hanger for Baskets for 41883	
72860	Thermostat for 41883	8	72868	Out Valve for 41883	17			