



Gas Char Broilers

Models CE-CN-CBR15, CBR24, CBR36, CBR48

Items 43736, 43727, 43728, 43729

Instruction Manual



Revised - 11/02/2016



Toll Free: 1-800-465-0234
Fax: 905-607-0234
Email: service@omcan.com
www.omcan.com



Table of Contents

Model CE-CN-CBR15 / Model CE-CN-CBR24
Model CE-CN-CBR36 / Model CE-CN-CBR48

Section	Page
General Information -----	3 - 4
Safety and Warranty -----	4 - 6
Technical Specifications -----	6
Installation -----	6 - 11
Operation -----	11 - 13
Maintenance -----	14
Troubleshooting -----	14 - 15
Instructions Français -----	15 - 25
Parts Breakdown -----	26 - 28
Notes -----	29 - 30
Warranty Registration -----	31



General Information

Omcan Manufacturing and Distributing Company Inc., Food Machinery of America, Inc. dba Omcan and Omcan Inc. are not responsible for any harm or injury caused due to any person's improper or negligent use of this equipment. The product shall only be operated by someone over the age of 18, of sound mind, and not under the influence of any drugs or alcohol, who has been trained in the correct operation of this machine, and is wearing authorized, proper safety clothing. Any modification to the machine voids any warranty, and may cause harm to individuals using the machine or in the vicinity of the machine while in operation.

CHECK PACKAGE UPON ARRIVAL

Upon receipt of an Omcan shipment please inspect for external damage. If no damage is evident on the external packaging, open carton to ensure all ordered items are within the box, and there is no concealed damage to the machine. If the package has suffered rough handling, bumps or damage (visible or concealed), please note it on the bill of lading before accepting the delivery and contact Omcan within 24 hours, so we may initiate a claim with the carrier. A detailed report on the extent of the damage caused to the machine must be filled out within three days, from the delivery date shown in the shipping documents. Omcan has no recourse for damaged products that were shipped collect or third party.

Before operating any equipment, always read and familiarize yourself with all operation and safety instructions.

Omcan would like to thank you for purchasing this machine. It's of the utmost importance to save these instructions for future reference. Also save the original box and packaging for shipping the equipment if servicing or returning of the machine is required.

Omcan Fabrication et distribution Compañie Limité et Food Machinery d'Amérique, dba Omcan et Omcan Inc. ne sont pas responsables de tout dommage ou blessure causé du fait que toute personne ait utilisé cet équipement de façon irrégulière. Le produit ne doit être exploité que par quelqu'un de plus de 18 ans, saine d'esprit, et pas sous l'influence d'une drogue ou d'alcool, qui a été formé pour utiliser cette machine correctement, et est vêtu de vêtements de sécurité approprié. Toute modification de la machine annule toute garantie, et peut causer un préjudice à des personnes utilisant la machine ou des personnes à proximité de la machine pendant son fonctionnement.

VÉRIFIEZ LE COLIS DÈS RÉCEPTION

Dès réception d'une expédition d'Omcan veuillez inspecter pour dommages externes. Si aucun dommage n'est visible sur l'emballage externe, ouvrez le carton afin de s'assurer que tous les éléments commandés sont dans la boîte, et il n'y a aucun dommage dissimulé à la machine. Si le colis n'a subi aucune mauvaises manipulations, de bosses ou de dommages (visible ou cachée), notez-le sur le bond de livraison avant d'accepter la livraison et contactez Omcan dans les 24 heures qui suivent, pour que nous puissions engager une réclamation auprès du transporteur. Un rapport détaillé sur l'étendue des dommages causés à la machine doit être rempli dans un délai de trois jours, à compter de la date de livraison indiquée dans les documents d'expédition. Omcan n'a aucun droit de recours pour les produits endommagés qui ont été expédiés ou cueilli par un tiers transporteur.

General Information

Avant d'utiliser n'importe quel équipement, toujours lire et vous familiariser avec toutes les opérations et les consignes de sécurité.

Omcán voudrais vous remercier d'avoir choisi cette machine. Il est primordial de conserver ces instructions pour une référence ultérieure. Également conservez la boîte originale et l'emballage pour l'expédition de l'équipement si l'entretien ou le retour de la machine est nécessaire.

Omcán Empresa De Fabricacion Y Distribucion Inc. Y Maquinaria De Alimentos De America, Inc. dba Omcán y Omcán Inc. no son responsables de ningun daño o perjuicio causado por cualquier persona inadecuada o el uso descuidado de este equipo. El producto solo podra ser operado por una persona mayor de 18 años, en su sano juicio y no bajo alguna influencia de droga o alcohol, y que este ha sido entrenado en el correcto funcionamiento de esta máquina, y ésta usando ropa apropiada y autorizada. Cualquier modificación a la máquina anula la garantía y puede causar daños a las personas usando la máquina mientras esta en el funcionamiento.

REVISE EL PAQUETE A SU LLEGADA

Tras la recepcion de un envio Omcán favor inspeccionar daños externos. Si no hay daños evidentes en el empaque exterior, Habra el carton para asegurarse que todos los articulos solicitados estén dentro de la caja y no encuentre daños ocultos en la máquina. Si el paquete ha sufrido un manejo de poco cuidado, golpes o daños (visible o oculto) por favor anote en la factura antes de aceptar la entrega y contacte Omcán dentro de las 24 horas, de modo que podamos iniciar una reclamación con la compañía. Un informe detallado sobre los daños causados a la máquina debe ser llenado en el plazo de tres días, desde la fecha de entrega que se muestra en los documentos de envío. Omcán no tiene ningun recurso por productos dañados que se enviaron a recoger por terceros.

Antes de utilizar cualquier equipo, siempre lea y familiarizarse con todas las instrucciones de funcionamiento y seguridad.

Omcán le gustaría darle las gracias por la compra de esta máquina. Es de la mayor importancia para salvar estas instrucciones para futuras consultas. Además, guarda la caja original y el embalaje para el envío del equipo si servicio técnico o devolución de la máquina que se requiere.

Safety and Warranty

WARNING: For your safety, do not store or use gasoline or other flammable vapors or liquids in the vicinity of this or any other appliances. Keep the area free and clear of combustible.

WARNING: Improper installation, adjustment, alteration, service or maintenance can cause property damage, injury, or death. Read the installation operating and maintenance instructions thoroughly before installing, or servicing this equipment.



Safety and Warranty

WARNING: Instructions must be posted in a prominent location. All safety precautions must be taken in the event the user smells gas. Safety information can be obtained from your local gas supplier.

CAUTION: These models are designed, built, and sold for commercial use only. If these models are positioned so the general public can use the equipment, make sure that cautions, warnings, and operating instructions are clearly posted near each unit so that anyone using the equipment will use it correctly and not injure themselves or harm the equipment.

GAS PRESSURE

The appliance and its individual shutoff valve (to be supplied by user) must be disconnected from the gas supply piping system during any pressure testing of that system at test pressures in excess of ½ psi (3.45 kPa). The appliance must be isolated from the gas supply piping system by closing its individual manual shut-off valve during any pressure testing of the gas supply piping system at test pressures equal to or less than ½ psi (3.45 kPa).

WARNING: A factory authorized agent should handle all maintenance and repair. Before doing any maintenance or repair, contact your authorized service representative.

SAFETY PRECAUTIONS

DANGER: Warns of imminent hazard which will result in serious injury or death.

WARNING: Refers to a potential hazard or unsafe practice, which could result in serious injury or death.

CAUTION: Refers to a potential hazard or unsafe practice, which could result in minor or moderate injury or product or property damage.

NOTICE: Refers to information that needs special attention or must be fully understood even though not dangerous.

NOTICE: This product is intended for commercial use only. Not for household use.

NOTICE: Local codes regarding installation vary greatly from one area to another. The National Fire Protection Association, Inc., states in its NFPA96 latest edition that local codes are “Authority Having Jurisdiction” when it comes to requirement for the installation of equipment. Therefore, the installation should comply with all local codes.

1 YEAR PARTS AND LABOUR BENCH WARRANTY

Within the warranty period, contact Omcan Inc. At 1-800-465-0234 to schedule a drop off to either an Omcan authorized service depot in the area, or to an Omcan Service warehouse to repair the equipment.

Unauthorized maintenance will void the warranty. Warranty covers electrical and part failures, not

Safety and Warranty

improper use.

Please see www.omcan.com/warranty.html for complete info.

WARNING:

The packaging components are classified as normal solid urban waste and can therefore be disposed of without difficulty.

In any case, for suitable recycling, we suggest disposing of the products separately (differentiated waste) according to the current norms.

DO NOT DISCARD ANY PACKAGING MATERIALS IN THE ENVIRONMENT!

Technical Specifications

SPECIFICATIONS AND DIMENSIONS

Model	CE-CN-CBR15	CE-CN-CBR24	CE-CN-CBR36	CE-CN-CBR48
Dimensions	15" x 30.3" x 16.7" 381 x 770 x 425(mm)	24" x 30.3" x 16.7" 610 x 770 x 425(mm)	36" x 30.3" x 16.7" 915 x 770 x 425(mm)	48" x 30.3" x 16.7" 1220 x 770 x 425(mm)
Number of Burners	1	2	3	4
BTU/PER NAT/ LP	40,000			
Total BTU/Hr	40,000	80,000	120,000	160,000
W.C. IN	6/10			
Item Number	43736	43727	43728	43729

Note: Depth direction includes the regulator's size.

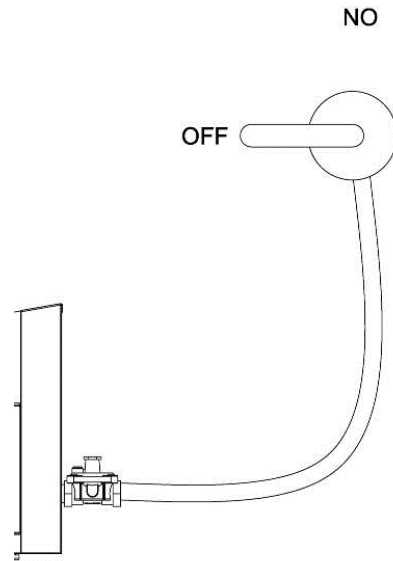
Installation

CONVERSION

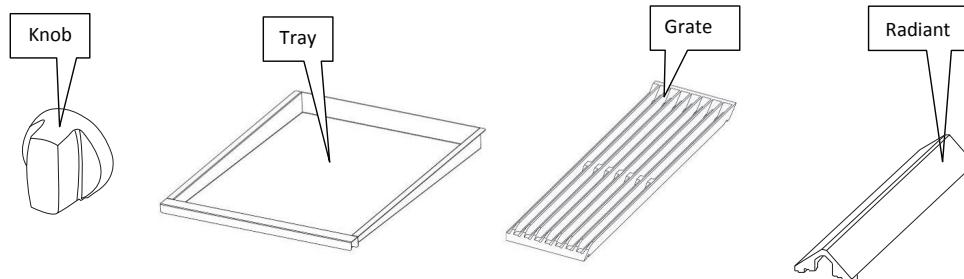
These instructions are for conversion from Natural Gas to Propane (L.P.) on all models. The conversion should be done before connecting the unit to the gas supply. Units are shipped from the factory equipped for use on natural gas.

Installation

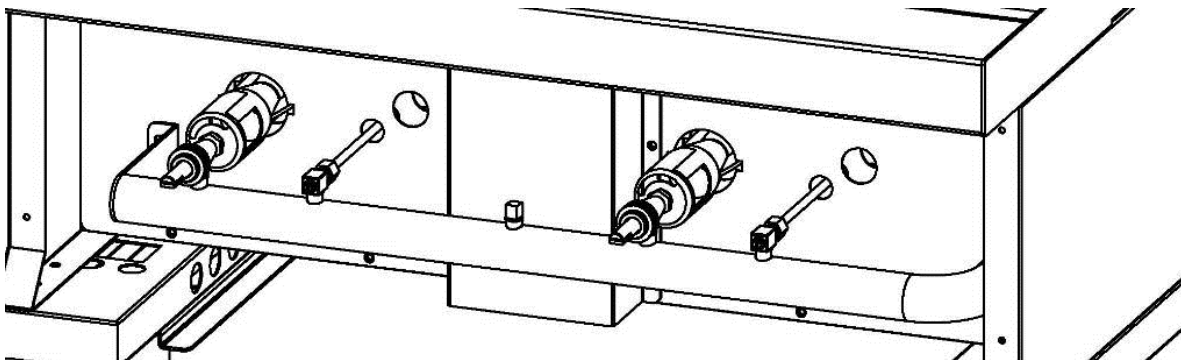
1. Shut-off the main isolation gas valve and follow the lock-out/tag-out procedure.



2. Pull-out and remove all the knobs. Remove the Tray, Grates and Radiants.

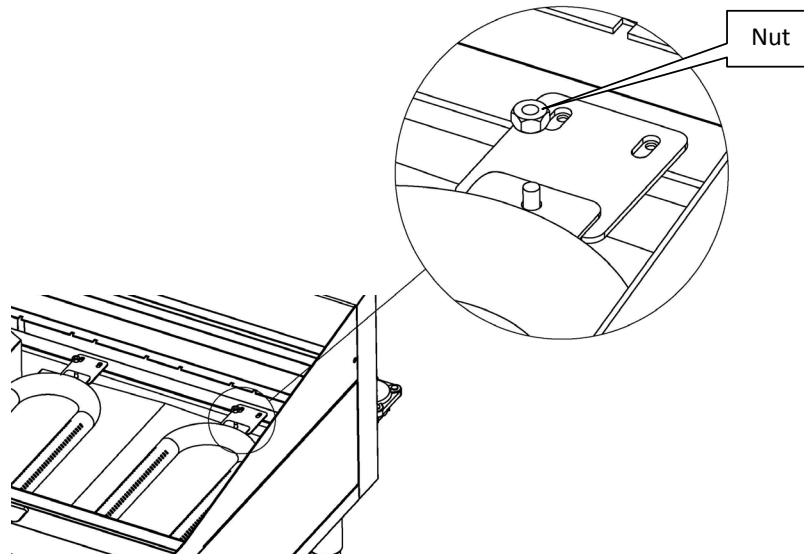


3. Remove the screws of the control panel.

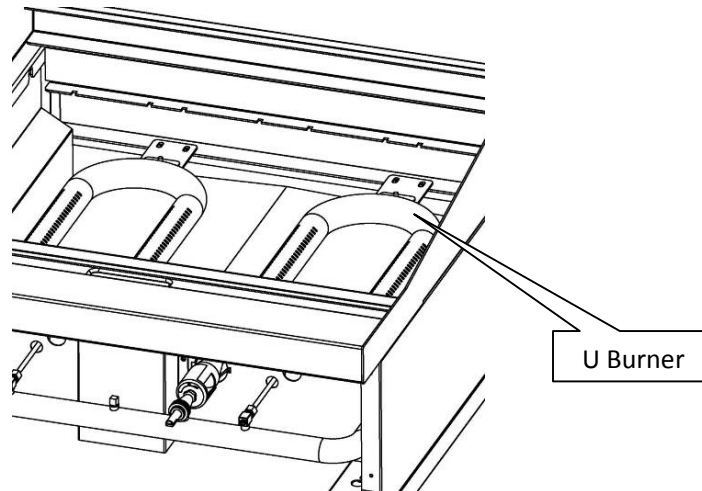


Installation

4. Remove the Nuts for U Burners.

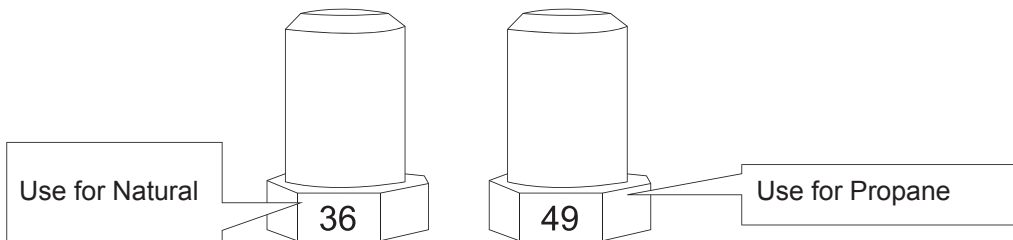
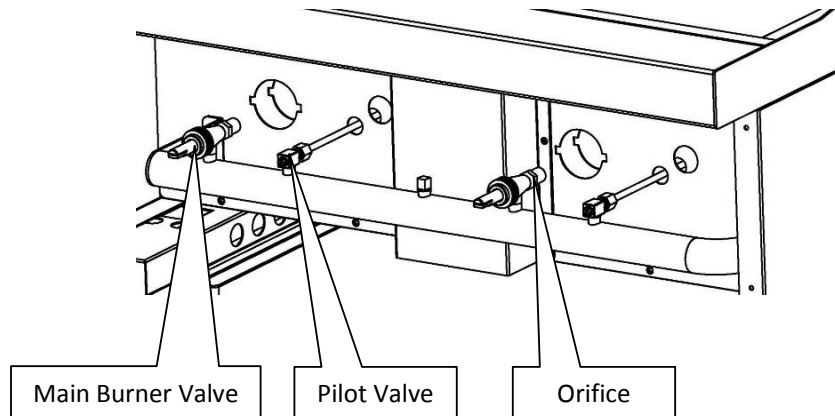


5. Remove the U Burners.



Installation

6. Remove the Orifice and Replace it. Use a 1/2" spanner. See the list of Orifice numbers for the appropriate gas type.



7. Converting the Gas Regulator.
 - a. Remove the converter cover from the regulator. Use a 7/8" spanner.

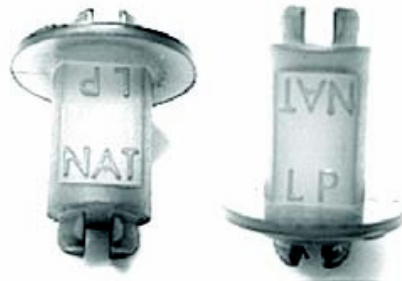


Installation

b. Pull-out the converter from the cover.



c. Position of converter when using Propane(L.P.)



d. Install the converter cover to the regulator.

Note: The arrow in the regulator indicates the flow direction of the gas.

8. Re-install the U burners.
9. Check leakage and re-install other parts.
10. Ignite the pilot burner and check flame state.

Turn the knobs to “High”.

If the U burner does not ignite, open the pilot valve more.

If the pilot flame appears larger than necessary, turn it down and reset burner ignition. The pilot flame should be as small as possible but large enough to guarantee reliable ignition of the burners when the knobs are turned to “I”.

Note: Please check leakage before re-install the control-panel.

GENERAL INSTALLATION INSTRUCTIONS

Ensure gas supply and gas type, as shown on unit nameplate, agree.



Installation

Unit installation must conform with the National Fuel Gas Code, ANSI Z223.1/NFPA 54, the National Gas Installation Code, CSA-B149.1, or the Propane Installation Code, CSA-B149.2 as applicable and in accordance with local codes.

Screw legs into the permanently fastened nuts on the four corners of the unit and tighten by hand. Level the unit by turning the adjustment screw at the bottom of each leg. Do not slide unit with legs mounted, lift if necessary to move unit.

Pipe threading compound must be resistant to the action of liquefied petroleum gases.

Caution: DO NOT use an open flame to check for leaks. Check all gas piping for leaks with a soap and water solution before operating unit.

THESE UNITS ARE SUITABLE FOR INSTALLATION ON NON-COMBUSTIBLE SURFACES ONLY.

Combustible clearances:

- 6" sides (152 mm)
- 6" rear (152 mm)
- 4" floor (102 mm)

Noncombustible clearances:

- 0" sides (0 mm)
- 0" rear (0 mm)
- 4" floor (102 mm)

Do not obstruct the flow of combustion and ventilation air, under the unit by the legs or behind the unit by the flue.

Adequate clearance for air openings into the combustion chamber is required. Do not place objects between the bottom of the unit and the counter top.

There must be adequate clearance for removal of the front panel. All major parts except the burners are removable thru the front if the gas line is disconnected.

Operation

LIGHTING INSTRUCTIONS

Lighting pilot:

The pilot light on the appliance has been set at the factory. A screwdriver maybe required for the first lighting to adjust the flame for your elevation.

1. Turn off the manual valve and wait 5 minutes to clear the gas.

Operation

2. Turn all knobs to the "OFF" position.
3. Hold an ignition source (match) at the pilot. When the flame is established, remove the ignition source.
4. Turn the burner knobs to "ON". If the burner does not ignite, promptly open the pilot valve more. If the pilot flame appears larger than necessary, turn it down and reset burner ignition. The pilot flame should be as small as possible but large enough to guarantee reliable ignition of the burners when the knobs are turned to "ON".

Lighting main burner:

To light burner, turn knob to "ON." Then back off to the desired flame level. The range of adjustment is virtually infinite between "ON" and "OFF".

Main burner air supply:

1. For efficient burner operation, a proper balance of gas volume and primary air supply must be maintained which will result in complete combustion. Insufficient air supply results in a yellow streaming flame. Primary air supply is controlled by an air shutter on the front of the burner.
2. Loosen the screws on the front of the burner and adjust the air shutter to just eliminate the yellow tips of the burner flame. Lock the air shutter in place by tightening the screws.

CAUTION: Never attempt to move a grill section while cooking. An unexpected flare could cause severe injury. Turn off the unit, let it cool and use pot holders and/or gloves to reposition or remove. The space between the legs at the bottom admits combustion air. DO NOT BLOCK THIS SPACE.

All burners are lit from constantly burning pilots. Turning the valve to the desired flame height is all that is required to put the unit in service.

Do not permit fans to blow directly at the unit. Wherever possible, avoid open windows next to the units' sides or back. Avoid wall type fans which create air cross-currents within a room.

It is also necessary that sufficient air should be allowed to enter the room to compensate for the amount of air removed by any ventilating system. Otherwise, a subnormal atmospheric pressure will occur, affecting operation and causing undesirable working conditions.

A properly designed and installed hood will act as the heart of the ventilating system for the room or area in which the unit is installed, and will leave the unit independent of changing draft conditions.

All valves must be checked and lubricated periodically. This must be done by an authorized service representative in your area.

OPERATION INSTRUCTIONS

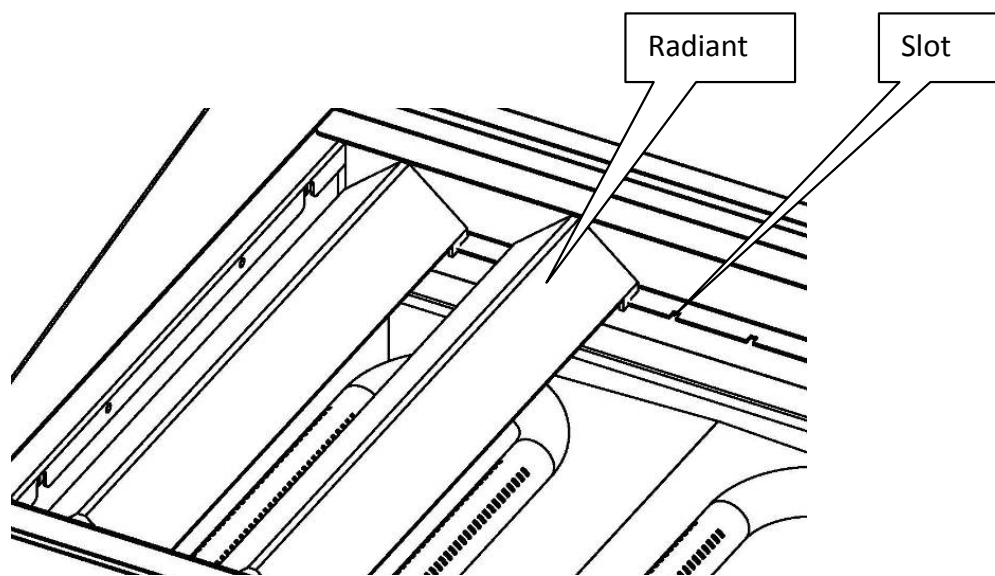
OPERATION:

Turn the burners on about 15-20 minutes before cooking for preheating. Set the knobs to the desired flame height or temperature. Each valve will control the gas flow to the burner to bring that area of the unit up to the set temperature. If different temperature settings are to be used, adjoining areas should be set at progressively higher temperatures using the lowest temperatures on the outside burners. A uniform and systematic approach to the loading of the unit will produce the most consistent product results.

Operation

RADIANTS:

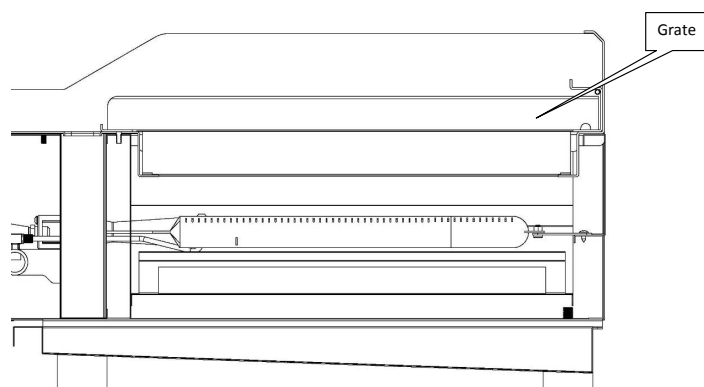
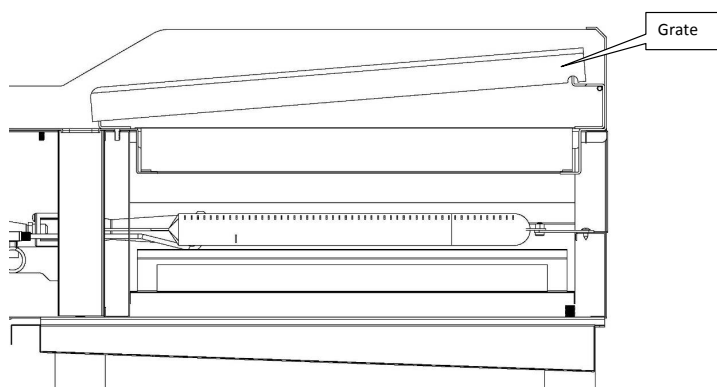
Place all the radiants in their position. Make sure that the radiants are setting properly into the slots on the front and rear supports. Radiants should be centered over straight section of the burners.



COOKING GRATES:

Install the top cooking grates.

NOTE: When cooking grates are placed sloping toward the front, the grooves on top will guide the excess fat drippings into the grease trough.



Maintenance

CLEANING & MAINTENANCE

INITIAL CLEANING:

Prior to operating your new char broiler, thoroughly wash the exterior with a mild detergent or soap solution. Do not use abrasive cleaners, since this might damage the cabinet finish. If the stainless steel surfaces become discolored, scrub by rubbing only in the direction of the finished grain.

When the char broiler is first heated, it will smoke until oil used in manufacturing, preservation and dust from storage and shipping are burned off. An hour at “max.” on all burners is usually sufficient.

DAILY CLEANING:

Remove the grease pan, empty and wash it.

Grate “burn off”. The grease buildup on the grates should be cleaned daily (more often as needed).

1. Caution: When handling grates or radiants, always use insulated gloves to prevent burns.
2. Warning: Do not cover the top of the grid grates during a burn off operation. Restricting the airflow by covering the grid grates may cause them to warp. It will also cause damage to the valves, the knobs and the front panel decal.
3. Place grates on broiler, with grid bars horizontal, facing down.
4. Turn the char broiler on for approximately 45 minutes.
5. Turn off the char broiler and allow it to cool for 20 Minutes.
6. Clean top and bottom surfaces of grate with a wire brush to remove animal fats and carbonized grease.
7. Clean channels on grates with a scraper.
8. Remove grates from char broiler. Clean top surface of radiants with the wire brush. They may be cleaned in place.

NOTE: Parts protected by the manufacturer or his agent are not to be adjusted by the installer, unless the installer is an authorized service agent.

Troubleshooting

TROUBLESHOOTING GUIDE

PROBLEM	POSSIBLE CAUSE
Heat does not come on when valve is turned on.	Pilot burner not lit.
	Gas valve is bad.
Pilot burner will not light.	Obstructed pilot orifice.
	Pilot valve turned off.
Pilot burner will not stay lit.	Obstructed pilot orifice.
	Gas supply is not purged of air.
	Air is blowing pilot light out.

Troubleshooting

Fat appears to smoke excessively.	Heat is set too high.
	Moisture in the food may be turning into steam.
Food sticks to grates.	Heat is set too high.
	Char Broiler surface needs cleaning and/or seasoning.
	Surface under food may not have been covered with enough cooking oil.
Food is not cooked through.	Heat is set too high.
	Food may not have been cooked for long enough time.
Food tastes greasy or has objectionable off-flavor.	Food itself may have off flavor.
	Food may have been stored improperly before cooking.
	Too much fat used.
	Heat is set too low.

REFERENCE

Item Number	Model Number	Description	Manufacturer Model Number
43736	CE-CN-CBR15	Radiant Gas Charbroiler 1 Burner 15" / 381mm 40,000 BTU ETL	UR-CBR15
43727	CE-CN-CBR24	Radiant Gas Charbroiler 2 Burners 24" / 610mm 80,000 BTU ETL	UR-CBR24
43728	CE-CN-CBR36	Radiant Gas Charbroiler 3 Burners 36" / 914mm 120,000 BTU ETL	UR-CBR36
43729	CE-CN-CBR48	Radiant Gas Charbroiler 4 Burners 48" / 1219mm 160,000 BTU ETL	UR-CBR48

Instructions Français

SÉCURITÉ ET GARANTIE

AVERTISSEMENT: Pour votre sécurité, ne pas stocker ou utiliser de l'essence ou d'autres vapeurs ou liquides inflammables à proximité de cet appareil ou d'autres appareils. Gardez la zone libre et quitte de combustible.

AVERTISSEMENT: Une installation, un réglage, une modification, un service ou d'entretien peuvent causer des dommages matériels, des blessures ou la mort. Lisez les instructions de fonctionnement et d'entretien d'installation avant d'installer ou d'entretenir cet équipement.

AVERTISSEMENT: Les instructions doivent être affichées dans un endroit bien en vue. Toutes les pré-

Instructions Français

cautions de sécurité doivent être prises en cas d'odeur de gaz. Consignes de sécurité peut être obtenue auprès de votre fournisseur de gaz local.

ATTENTION: Ces modèles sont conçus, fabriqués et vendus pour un usage commercial seulement. Si ces modèles sont positionnés de sorte que le grand public peut utiliser le matériel, assurez-vous que les mises en garde, les avertissements et les instructions sont clairement affichés près de chaque unité afin que toute personne utilisant l'équipement va l'utiliser correctement et ne pas se blesser ou de nuire à l'équipement.

PRESSION DE GAZ

L'appareil et il est individuelle vanne d'arrêt (à fournir par l'utilisateur) doit être déconnecté du système de tuyauterie d'alimentation en gaz pendant les essais de pression de ce système à des pressions d'essai supérieures à ½ psi (3,45 kPa). Le appareil doit être isolé de la l'approvisionnement en gaz système de tuyauterie en fermant son robinet manuel d'arrêt individuel durant tout test de pression du système de tuyauterie d'alimentation en gaz à des pressions d'essai de moins de ½ psi (3,45 kPa) ou égales à.

AVERTISSEMENT: Un agent autorisé de l'usine devrait effectuer toute la maintenance et la réparation. Avant de faire tout entretien ou réparation, contactez votre représentant de service autorisé.

PRÉCAUTIONS DE SÉCURITÉ

DANGER: Avertit du danger imminent qui peut entraîner des blessures graves ou la mort.

AVERTISSEMENT: Désigne un danger potentiel ou une pratique dangereuse qui pourrait entraîner des blessures graves ou la mort.

ATTENTION: Désigne un danger potentiel ou une pratique dangereuse qui pourrait entraîner des blessures mineures ou modérées ou des dégâts matériels.

AVIS: Désigne des informations qui nécessite une attention spéciale ou doivent être pleinement compris, même si pas dangereux.

AVIS: Ce produit est destiné à un usage commercial. Pas pour usage domestique.

AVIS: local codes concernant l'installation varient grandement d'une région à l'autre. La National Fire Protection Association, Inc., déclare dans sa dernière édition que NFPA96 codes locaux sont «autorité compétente» quand il vient à l'exigence pour l'installation de l'équipement. Par conséquent, l'installation doit se conformer à tous les codes locaux.

1 AN PIÈCES ET TRAVAIL BANC GARANTIE

Dans la période de garantie, contacter Omcan Inc. A 1-800-465-0234 pour planifier une déposer soit un dépôt Omcan de service autorisé dans la zone, ou à un entrepôt de service Omcan de réparer l'équipement.

Instructions Français

Entretien non autorisée annulera la garantie. La garantie couvre les pannes électriques et de pièces, pas une mauvaise utilisation.

S'il vous plaît voir www.omcan.com/warranty.html pour info complète.

ATTENTION:

Les matériaux d'emballage sont considérés comme des déchets solides urbains normale et peuvent donc être éliminés sans difficulté.

En tout cas, pour le recyclage approprié, nous suggérons au rebut des produits séparément (différenciée des déchets) selon les normes actuelles.

NE PAS JETER MATÉRIAUX D'EMBALLAGE DANS L'ENVIRONNEMENT!

SPÉCIFICATIONS TECHNIQUES

LES CARACTÉRISTIQUES ET DIMENSIONS

Modèle	CE-CN-CBR15	CE-CN-CBR24	CE-CN-CBR36	CE-CN-CBR48
Dimensions	15" x 30.3" x 16.7" 381 x 770 x 425(mm)	24" x 30.3" x 16.7" 610 x 770 x 425(mm)	36" x 30.3" x 16.7" 915 x 770 x 425(mm)	48" x 30.3" x 16.7" 1220 x 770 x 425(mm)
Nombre de brûleurs	1	2	3	4
BTU / PAR NAT / LP	40,000			
BTU Total / Hr	40,000	80,000	120,000	160,000
W.C. IN	6/10			
Numéro d'article	43736	43727	43728	43729

Remarque: la direction de la profondeur inclut la taille de l'organisme de réglementation.

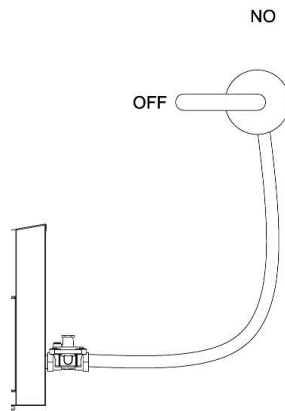
INSTALLATION

CONVERSION

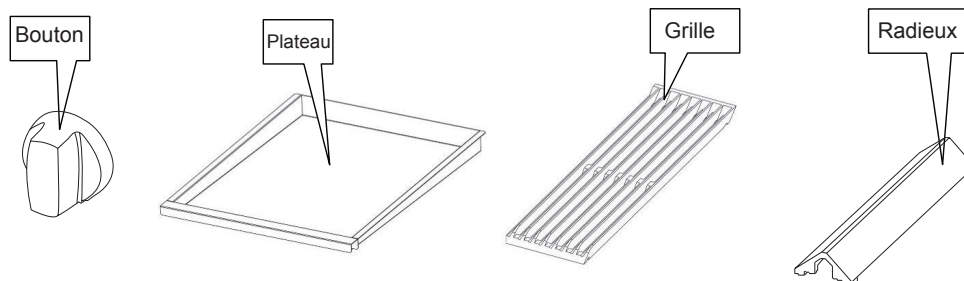
Ces instructions sont pour la conversion du gaz naturel au propane (LP) sur tous les modèles. La conversion devrait être fait avant de connecter l'appareil à l'alimentation en gaz. Les unités sont expédiées depuis l'usine équipée pour une utilisation sur le gaz naturel.

Instructions Français

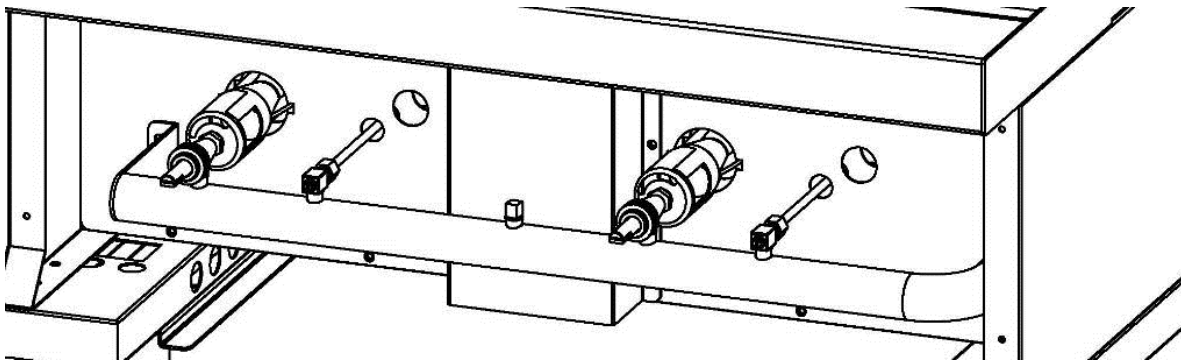
1. Shut-off de la soupape principale de gaz d'isolement et de suivre le lock-out / procédure de tag-out.



2. Tirez-out et de supprimer tous les boutons. Retirez le bac, les grilles et les radiants.

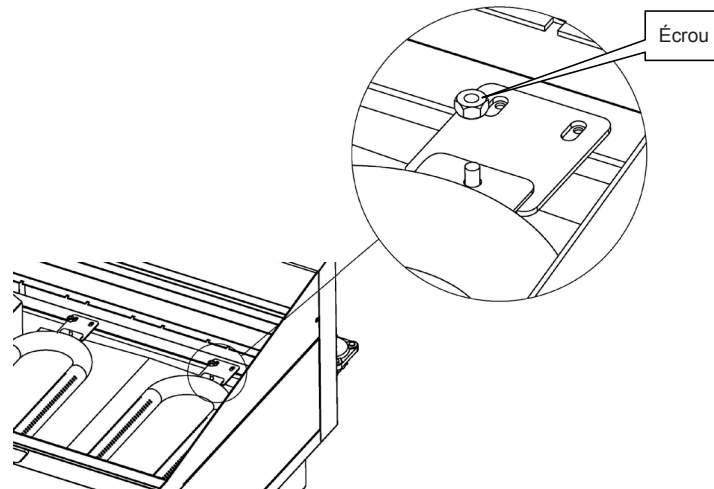


3. Retirez les vis du panneau de contrôle.



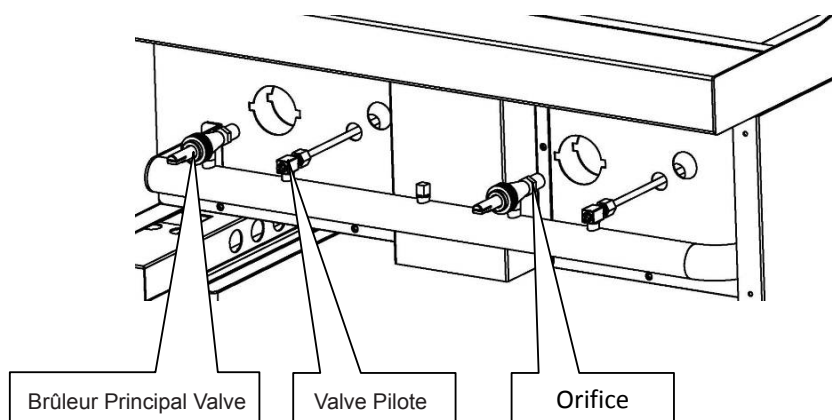
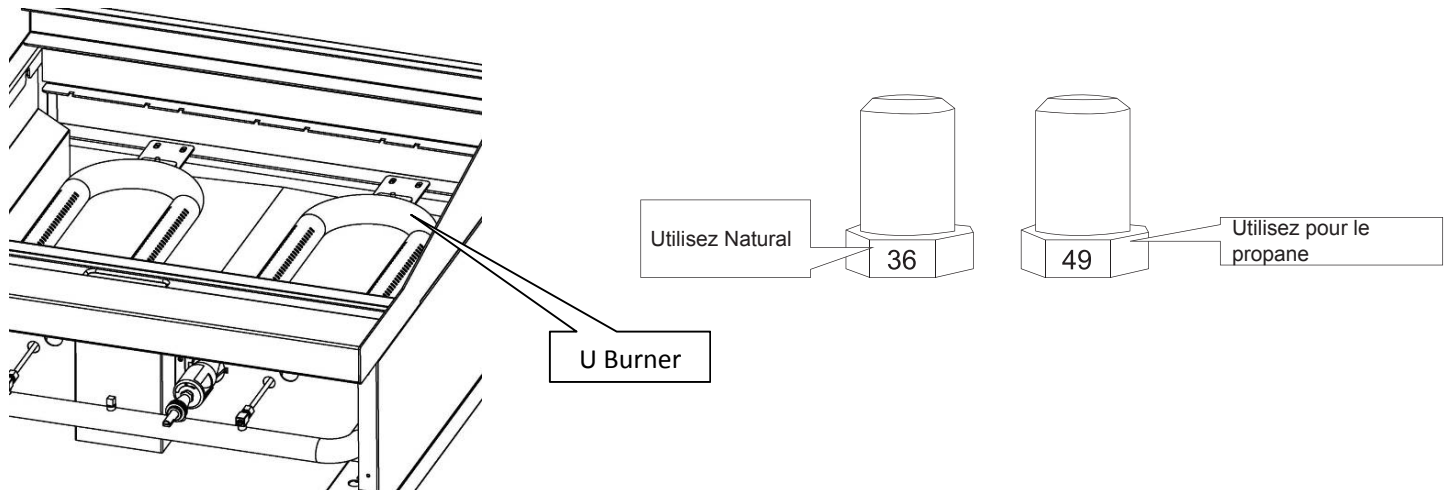
Instructions Français

4. Retirer les écrous pour U brûleurs.



5. Retirez les brûleurs en U.

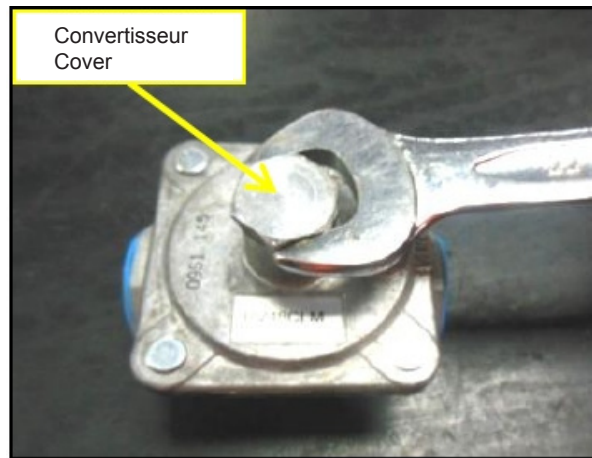
6. Enlevez l'orifice et le remplacer. Utilisez un «clé 1/2. Voir la liste des numéros d'orifice pour le type de gaz approprié.



Instructions Français

7. Conversion du régulateur de gaz.

- a. Retirez le couvercle de convertisseur du régulateur. Utilisez un «clé 7/8».



- b. Tirez-le convertisseur de la couverture.



- c. Position du convertisseur lors de l'utilisation du propane (L.P.)



- d. Installez le capot du convertisseur pour le régulateur.

Instructions Français

Remarque: La flèche indique le régulateur dans la direction d'écoulement du gaz.

8. Re-installer les brûleurs de U.
9. Vérifiez les fuites et ré-installer d'autres parties.
10. Allumer le brûleur de la veilleuse et vérifier l'état de la flamme.

Tournez les boutons pour «High».

Si le brûleur U ne allume pas, ouvrir la vanne pilote plus.

Si la flamme de la veilleuse apparaît plus grande que nécessaire, baissez et réinitialiser l'allumage du brûleur.

La flamme de la veilleuse doit être aussi faible que possible, mais suffisamment grande pour garantir un allumage fiable des brûleurs lorsque les boutons sont tournés vers «|».

Note: S'il vous plaît vérifier les fuites avant de ré-installer le panneau de contrôle.

INSTRUCTIONS GÉNÉRALES D'INSTALLATION

Assurer l'approvisionnement en gaz et le type de gaz, comme indiqué sur la plaque signalétique unité, d'accord.

Installation de l'unité doit être conforme avec le National Fuel Gas Code, ANSI Z223.1 / NFPA 54, le Code national du gaz de l'installation, CSA-B149.1, ou le Code d'installation du propane, CSA-B149.2 le cas échéant et conformément aux codes locaux .

Visser les jambes dans les écrous fixés de façon permanente sur les quatre coins de l'unité et serrez à la main. L'unité à niveau en tournant la vis de réglage au bas de chaque jambe. Ne pas faire glisser l'unité avec les jambes montés, ascenseur si nécessaire pour déplacer l'unité.

Tuyau composé de filetage doit être résistant à l'action des gaz de pétrole liquéfiés.

Attention: Ne pas utiliser de flamme nue pour détecter les fuites. Vérifiez tous les tuyaux de gaz pour des fuites avec une solution d'eau et du savon avant de l'unité d'exploitation.

CES UNITÉS SONT À INSTALLER SUR LE SURFACES NON COMBUSTIBLES.

Dégagements combustibles:

- 6 «côtés (152 mm)
- 6 «à l'arrière (152 mm)
- 4 «étage (102 mm)

Dégagements incombustibles:

- 0 côtés «(0 mm)
- 0 arrière «(0 mm)
- 4 «étage (102 mm)

Ne pas obstruer le flux de combustion et de ventilation, sous l'unité par les jambes ou derrière l'unité par la fumée.

Instructions Français

Un espace suffisant pour des ouvertures d'air dans la chambre de combustion est nécessaire. Ne placez pas d'objets entre le bas de l'appareil et le comptoir.

Il doit y avoir un espace suffisant pour le retrait de la face avant. Toutes les pièces principales, sauf les brûleurs sont amovibles à travers l'avant si la conduite de gaz est déconnectée.

OPÉRATION

INSTRUCTIONS D'ALLUMAGE

Éclairage pilote:

Le voyant de l'appareil a été réglé à l'usine. Un tournevis peut être nécessaire pour la première éclairage pour régler la flamme pour votre élévation.

1. Éteignez la vanne manuelle et attendre 5 minutes pour évacuer le gaz.
2. Tournez tous les boutons à la position «OFF».
3. Maintenez une source d'inflammation (de jeu) au pilote. Lorsque la flamme est établie, retirer la source d'allumage.
4. Tournez les boutons des brûleurs sur «ON». Si le brûleur ne allume pas, ouvrir rapidement la vanne pilote plus. Si la flamme de la veilleuse apparaît plus grande que nécessaire, baissez et réinitialiser l'allumage du brûleur. La flamme de la veilleuse doit être aussi petit que possible, mais suffisamment grande pour garantir un allumage fiable des brûleurs lorsque les boutons sont tournés sur «ON».

Allumer le brûleur principal:

Pour allumer le brûleur, tourner le bouton sur «ON». Puis retour au large au niveau de la flamme voulue. La plage de réglage est pratiquement infinie entre «ON» et «OFF».

Alimentation en air du brûleur principal:

1. Pour le fonctionnement du brûleur efficace, un bon équilibre entre le volume de gaz et d'air primaire doit être maintenue qui se traduira par une combustion complète. Résultats insuffisants d'alimentation en air en streaming flamme jaune. L'alimentation en air primaire est contrôlé par un volet d'air à l'avant du brûleur.
2. Desserrez les vis sur la face avant du brûleur et ajuster le volet d'air pour éliminer simplement les pointes jaunes de la flamme du brûleur. Verrouiller l'obturateur d'air en place en serrant les vis.

ATTENTION: Ne jamais tenter de déplacer une section de la grille pendant la cuisson. Une fusée inattendu pourrait causer des blessures graves. Eteignez l'appareil, le laisser refroidir et utiliser des maniques et / ou des gants pour repositionner ou supprimer. L'espace entre les jambes en bas admet l'air de combustion. NE PAS BLOQUER CET ESPACE.

Tous les brûleurs sont allumés par des pilotes qui brûlent en permanence. Tourner la vanne à la hauteur de flamme désirée est tout ce qui est nécessaire pour mettre l'appareil en service.

Ne pas permettre aux fans de sauter directement à l'unité. Autant que possible, éviter les fenêtres ouvertes à côté des côtés ou à l'arrière des unités. Évitez les ventilateurs de type de mur qui créent aériens contre-courants au sein d'une chambre.

Il est également nécessaire que suffisamment d'air devrait être autorisé à entrer dans la salle pour compenser la quantité d'air enlevé par tout système de ventilation. Sinon, une pression atmosphérique inférieure à la

Instructions Français

normale se produira, affecter le fonctionnement et provoquant des conditions de travail indésirables.

Une hotte bien conçue et installée agira comme le cœur du système de ventilation de la pièce ou la zone dans laquelle l'appareil est installé, et laissera l'unité indépendante de l'évolution des conditions de tirage.

Toutes les vannes doivent être vérifiées et lubrifiées périodiquement. Cela doit être fait par un représentant de service autorisé dans votre région.

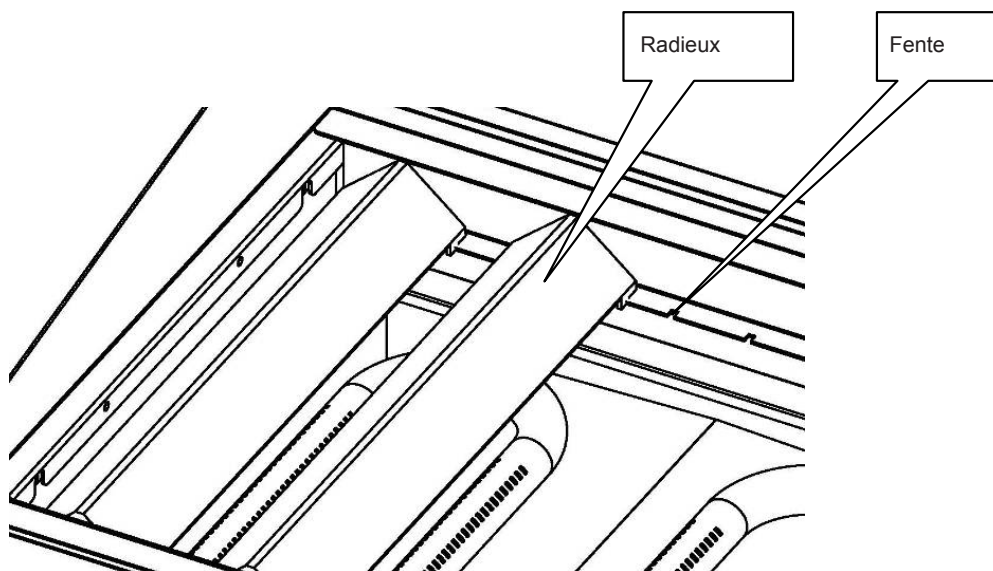
MODE D'EMPLOI

FONCTIONNEMENT:

Tournez les brûleurs sur environ 15-20 minutes avant la cuisson pour le préchauffage. Réglez les boutons à la hauteur de flamme désirée ou de la température. Chaque vanne va contrôler l'écoulement de gaz vers le brûleur à amener cette partie de l'appareil jusqu'à la température de consigne. Si différents réglages de température doivent être utilisés, les zones avoisinantes doivent être réglés à des températures progressivement plus élevés en utilisant les températures les plus basses sur les brûleurs à l'extérieur. Une approche uniforme et systématique pour le chargement de l'unité produira des résultats de produits les plus cohérentes.

RADIANTS:

Placez tous les radiants dans leur position. Assurez-vous que les radiants établissent correctement dans les fentes sur les supports avant et arrière. Radiants doivent être centrées sur la section droite des brûleurs.

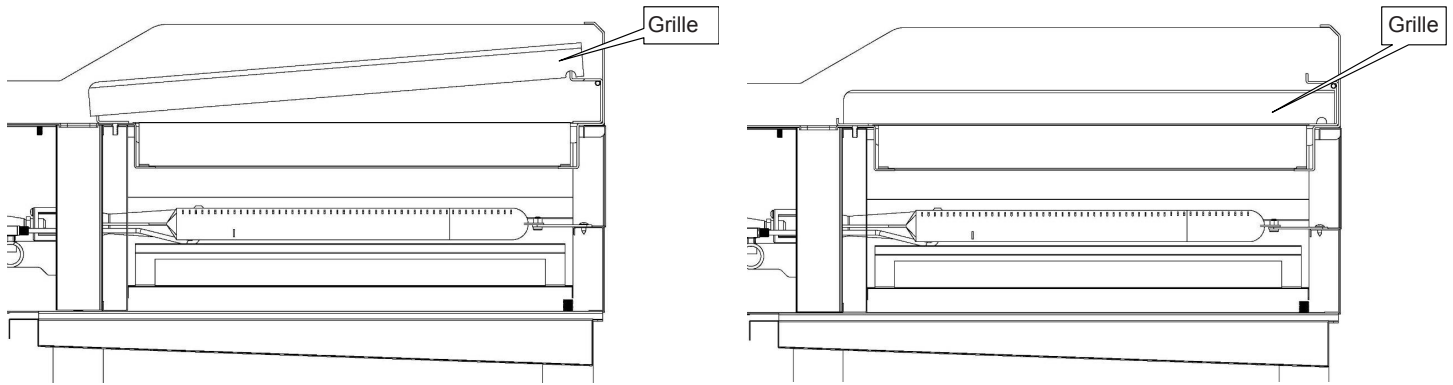


GRILLES DE CUISSON:

Installez les grilles de cuisson haut.

REMARQUE: Lorsque les grilles de cuisson sont placés en pente vers l'avant, les rainures sur le dessus guideront les jus excès de graisse dans le bac à graisse.

Instructions Français



ENTRETIEN

NETTOYAGE ET ENTRETIEN

NETTOYAGE INITIAL:

Avant de faire fonctionner votre nouveau grille-char, laver soigneusement la extérieure avec un détergent doux ou une solution savonneuse. Ne pas utiliser de produits nettoyants abrasifs, car cela pourrait endommager la finition du meuble. Si les surfaces en acier inoxydable se décolorent, gommage par frottement seulement dans le sens du grain fini.

Lorsque le gril du four de carbonisation est d'abord chauffé, il fumera que l'huile utilisée dans la fabrication, la conservation et la poussière de stockage et d'expédition sont brûlés. Une heure au «max.» Sur tous les brûleurs est généralement suffisant.

NETTOYAGE QUOTIDIEN:

Retirer la casserole de graisse, vide et le laver.

Râper «brûler». L'accumulation de graisse sur les grilles doit être nettoyé tous les jours (plus souvent si nécessaire).

1. Attention: Lors de la manipulation des grilles ou radiants, utilisez toujours des gants isolants pour éviter les brûlures.
2. Attention: Ne couvrez pas le haut des grilles de la grille lors d'une opération de brûler. Le manque de ventilation en couvrant les grilles de la grille peut les amener à se déformer. Il sera également endommager les soupapes, les boutons et l'autocollant du panneau avant.
3. Placez les grilles sur les poulets de chair, avec grille barres horizontales, vers le bas.
4. Tournez le gril char pendant environ 45 minutes.
5. Éteignez le gril du four de carbonisation et le laisser refroidir pendant 20 minutes.
6. Surfaces supérieure et inférieure de la grille Nettoyer avec une brosse métallique pour éliminer les graisses d'origine animale et de graisse carbonisée.
7. Canaux Nettoyez les grilles avec un grattoir.
8. Retirez les grilles de char gril. Nettoyez le dessus de la surface radiants avec la brosse métallique. Ils peuvent être nettoyés en place.

NOTE: les pièces protégées par le fabricant ou son agent ne sont pas à être réglés par l'installateur, à moins que l'installateur est un agent de service autorisé.

Instructions Français

DÉPANNAGE

GUIDE DE DÉPANNAGE

PROBLÈME	CAUSE POSSIBLE
La chaleur ne vient pas sur le moment où la vanne est activée.	Brûleur pilote pas allumé
	La vanne de gaz est mauvais.
Brûleur pilote ne sera pas la lumière.	Obstruction orifice de la veilleuse.
	Vanne pilote éteint.
La veilleuse ne reste pas allumé	Obstruction orifice de la veilleuse.
	L'alimentation en gaz est pas purgé de l'air.
	Air souffle voyant sortir.
Fat semble fume trop.	La chaleur est trop élevée.
	Humidité dans les aliments peut être en train de devenir la vapeur.
Alimentation colle à grilles.	La chaleur est trop élevée.
	Char surface de poulet de chair a besoin de nettoyage et / ou d'assaisonnement.
	Surface en nourriture peut ne pas avoir été couverte avec suffisamment d'huile de cuisson.
La nourriture est pas cuit.	La chaleur est trop élevée.
	Les aliments peuvent ne pas avoir été cuits pour longtemps assez de temps.
Goût des aliments gras ou a un arrière-goût désagréable.	Nourriture elle-même peut avoir hors saveur.
	Les aliments peuvent avoir été mal entreposé avant la cuisson.
	Trop de graisse utilisée.
	La chaleur est trop faible.

RÉFÉRENCE

Numéro d'article	Numéro de modèle	La description	Numéro de modèle du fabricant
43736	CE-CN-CBR15	Brûleur de charbon de gaz radiant 1 brûleur 15" / 381mm 40,000 BTU ETL	UR-CBR15
43727	CE-CN-CBR24	Brûleur de charbon de gaz radiant 2 brûleur 24" / 610mm 80,000 BTU ETL	UR-CBR24
43728	CE-CN-CBR36	Brûleur de charbon de gaz radiant 3 brûleur 36" / 914mm 120,000 BTU ETL	UR-CBR36
43729	CE-CN-CBR48	Brûleur de charbon de gaz radiant 4 brûleur 48" / 1219mm 160,000 BTU ETL	UR-CBR48

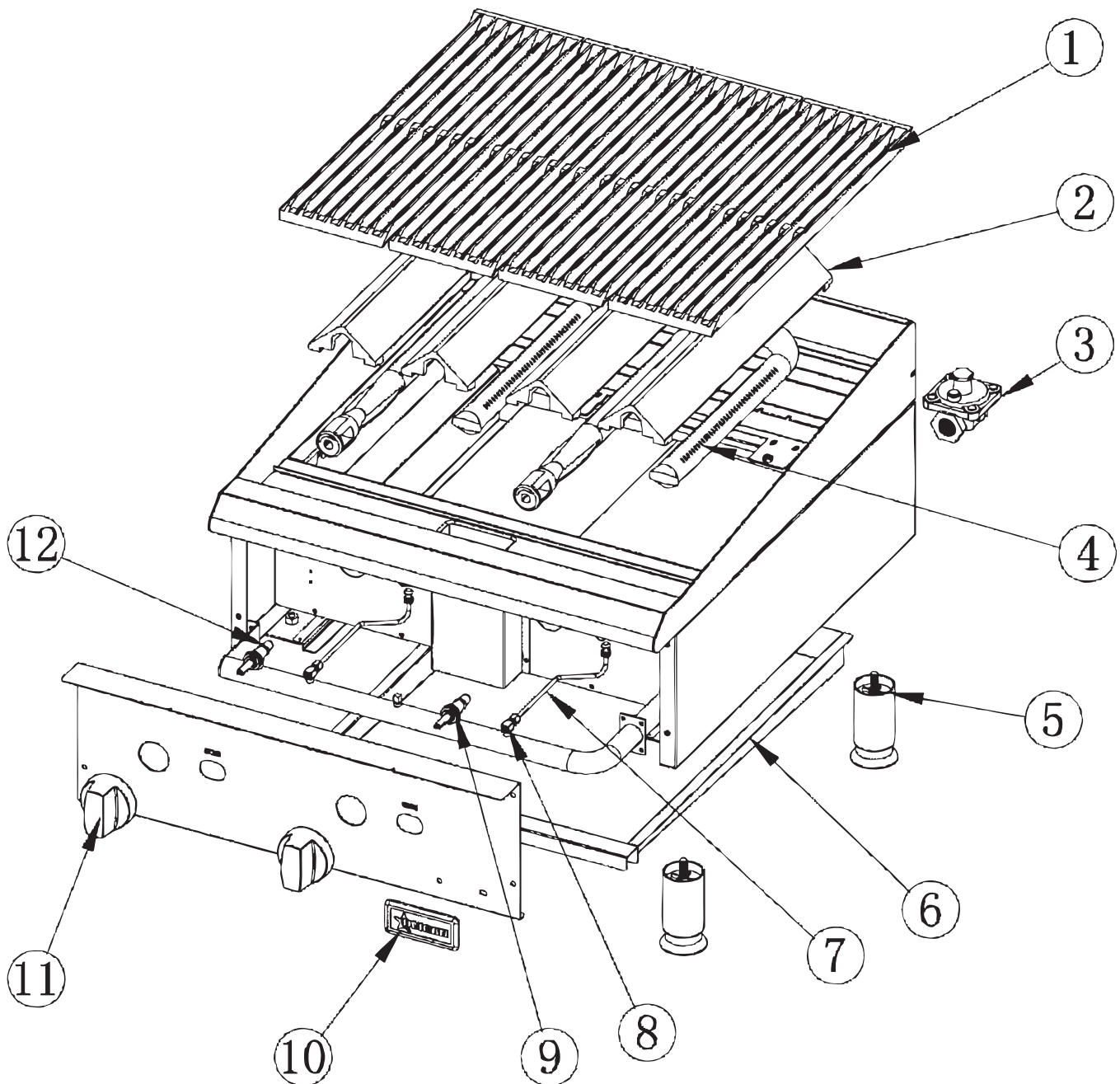
Parts Breakdown

Model CE-CN-CBR15 43736

Model CE-CN-CBR24 43727

Model CE-CN-CBR36 43728

Model CE-CN-CBR48 43729



Parts Breakdown

Model CE-CN-CBR15 43736

Item No.	Description	Position	Item No.	Description	Position	Item No.	Description	Position
72417	Cooking Grill 3" for CBR15	1	72422	Foot for CBR15/CBR24/CBR36/CBR48	5	43313	Brand for CBR15/CBR24/CBR36/CBR48	10
72418	Cooking Grill 6" for CBR15/CBR24/ CBR36/CBR48	1	72423	Tray for CBR15	6	43309	Dial for CBR15/CBR24/CBR36/CBR48	11
72419	Tent Radiant for CBR15/CBR24/CBR36/ CBR48	2	73088	Pilot Pipe for CBR15/CBR24/CBR36/ CBR48	7	73091	Orifice 36 # NAT for CBR15/CBR24/ CBR36/CBR48	12
72420	Regulator for CBR15/CBR24/CBR36/ CBR48	3	73089	Pilot Valve for CBR15/CBR24/CBR36/ CBR48	8	42964	Conversion Kits for CBR15	14
73092	Burner for CBR15/CBR24/CBR36/CBR48	4	73090	Valve for CBR15/CBR24/CBR36/CBR48	9			

Model CE-CN-CBR24 43727

Item No.	Description	Position	Item No.	Description	Position	Item No.	Description	Position
72417	Cooking Grill 3" for CBR15	1	72422	Foot for CBR15/CBR24/CBR36/CBR48	5	43313	Brand for CBR15/CBR24/CBR36/CBR48	10
72418	Cooking Grill 6" for CBR15/CBR24/ CBR36/CBR48	1	72424	Tray for CBR24	6	43309	Dial for CBR15/CBR24/CBR36/CBR48	11
72419	Tent Radiant for CBR15/CBR24/CBR36/ CBR48	2	73088	Pilot Pipe for CBR15/CBR24/CBR36/ CBR48	7	73091	Orifice 36 # NAT for CBR15/CBR24/ CBR36/CBR48	12
72420	Regulator for CBR15/CBR24/CBR36/ CBR48	3	73089	Pilot Valve for CBR15/CBR24/CBR36/ CBR48	8	42965	Conversion Kits for CBR24	14
73092	Burner for CBR15/CBR24/CBR36/CBR48	4	73090	Valve for CBR15/CBR24/CBR36/CBR48	9			

Parts Breakdown

Model CE-CN-CBR36 43728

Item No.	Description	Position	Item No.	Description	Position	Item No.	Description	Position
72417	Cooking Grill 3" for CBR15	1	72422	Foot for CBR15/CBR24/CBR36/CBR48	5	43313	Brand for CBR15/CBR24/CBR36/CBR48	10
72418	Cooking Grill 6" for CBR15/CBR24/CBR36/CBR48	1	72425	Tray for CBR36	6	43309	Dial for CBR15/CBR24/CBR36/CBR48	11
72419	Tent Radiant for CBR15/CBR24/CBR36/CBR48	2	73088	Pilot Pipe for CBR15/CBR24/CBR36/CBR48	7	73091	Orifice 36 # NAT for CBR15/CBR24/CBR36/CBR48	12
72420	Regulator for CBR15/CBR24/CBR36/CBR48	3	73089	Pilot Valve for CBR15/CBR24/CBR36/CBR48	8	42966	Conversion Kits for CBR36	14
73092	Burner for CBR15/CBR24/CBR36/CBR48	4	73090	Valve for CBR15/CBR24/CBR36/CBR48	9			

Model CE-CN-CBR48 43729

Item No.	Description	Position	Item No.	Description	Position	Item No.	Description	Position
72417	Cooking Grill 3" for CBR15	1	72422	Foot for CBR15/CBR24/CBR36/CBR48	5	43313	Brand for CBR15/CBR24/CBR36/CBR48	10
72418	Cooking Grill 6" for CBR15/CBR24/CBR36/CBR48	1	72424	Tray for CBR48	6	43309	Dial for CBR15/CBR24/CBR36/CBR48	11
72419	Tent Radiant for CBR15/CBR24/CBR36/CBR48	2	73088	Pilot Pipe for CBR15/CBR24/CBR36/CBR48	7	73091	Orifice 36 # NAT for CBR15/CBR24/CBR36/CBR48	12
72420	Regulator for CBR15/CBR24/CBR36/CBR48	3	73089	Pilot Valve for CBR15/CBR24/CBR36/CBR48	8	42967	Conversion Kits for CBR48	14
73092	Burner for CBR15/CBR24/CBR36/CBR48	4	73090	Valve for CBR15/CBR24/CBR36/CBR48	9			



Warranty Registration

Thank you for purchasing an Omcan product. To register your warranty for this product, complete the information below, tear off the card at the perforation and then send to the address specified below. You can also register online by visiting:

Merci d'avoir acheté un produit Omcan. Pour enregistrer votre garantie pour ce produit, complétez les informations ci-dessous, détachez la carte au niveau de la perforation, puis l'envoyer à l'adresse spécifiée ci-dessous. Vous pouvez également vous inscrire en ligne en visitant:

Gracias por comprar un producto Omcan usted. Para registrar su garantía para este producto, complete la información a continuación, cortar la tarjeta en la perforación y luego enviarlo a la dirección indicada a continuación. También puede registrarse en línea en:

www.omcan.com/warrantyregistration.html

For mailing in Canada

Pour postale au Canada

Por correo en Canadá

OMCAN

PRODUCT WARRANTY REGISTRATION

3115 Pepper Mill Court,

Mississauga, Ontario

Canada, L5L 4X5

For mailing in the US

Pour diffusion aux États-Unis

Por correo en los EE.UU.

OMCAN

PRODUCT WARRANTY REGISTRATION

4450 Witmer Industrial Estates, Unit 4,

Niagara Falls, New York

USA, 14305

or email to: service@omcan.com



Purchaser's Information

Name: _____

Address: _____

City: _____ Province or State: _____ Postal or Zip: _____

Country: _____

Dealer from which Purchased: _____

Dealer City: _____ Dealer Province or State: _____

Invoice: _____

Model Name: _____ Model Number: _____

Machine Description: _____

Date of Purchase (MM/DD/YYYY): _____

Would you like to extend the warranty? Yes No

Company Name: _____

Telephone: _____

Email Address: _____

Type of Company:

Restaurant Bakery Deli

Butcher Supermarket Caterer

Institution (specify): _____

Other (specify): _____

Serial Number: _____

Date of Installation (MM/DD/YYYY): _____

Thank you for choosing Omcan | Merci d'avoir choisi Omcan | Gracias por elegir Omcan



Since 1951 Omcan has grown to become a leading distributor of equipment and supplies to the North American food service industry. Our success over these many years can be attributed to our commitment to strengthen and develop new and existing relationships with our valued customers and manufacturers. Today with partners in North America, Europe, Asia and South America, we continually work to improve and grow the company. We strive to offer customers exceptional value through our qualified local sales and service representatives who provide convenient access to over 3,500 globally sourced products.

Depuis 1951 Omcan a grandi pour devenir un des “leaders” de la distribution des équipements et matériel pour l’industrie des services alimentaires en Amérique du Nord. Notre succès au cours de ces nombreuses années peut être attribué à notre engagement à renforcer et à développer de nouvelles et existantes relations avec nos clients et les fabricants de valeur. Aujourd’hui avec des partenaires en Amérique du Nord, Europe, Asie et Amérique du Sud, nous travaillons continuellement à améliorer et développer l’entreprise. Nous nous efforçons d’offrir à nos clients une valeur exceptionnelle grâce à nos ventes locales qualifiées et des représentants de service qui offrent un accès facile à plus de 3500 produits provenant du monde entier.

Desde 1951 Omcan ha crecido hasta convertirse en un líder en la distribución de equipos y suministros de alimentos en América del Norte industria de servicios. Nuestro éxito en estos años se puede atribuir a nuestro compromiso de fortalecer y desarrollar nuevas relaciones existentes con nuestros valiosos clientes y fabricantes. Hoy con socios de América del Norte, Europa, Asia y América del Sur, que trabajan continuamente para mejorar y crecer la empresa. Nos esforzamos por ofrecer a nuestros clientes valor excepcional a través de nuestro local de ventas y representantes de los servicios que proporcionan un fácil acceso a más de 3,500 productos con origen a nivel mundial.

