



Gas Griddles

Models CE-CN-G15M, G24M, G36M, G48M, G15TPF,
G24TPF, G36TPF, G48TPF

Items 43737, 43730, 43731, 43732, 43016, 43017, 43018, 43019

Instruction Manual



Revised - 07/19/2017



Toll Free: 1-800-465-0234
Fax: 905-607-0234
Email: service@omcan.com
www.omcan.com



Table of Contents

Model CE-CN-G15TPF / Model CE-CN-G24TPF / Model CE-CN-G36TPF
Model CE-CN-G48TPF / Model CE-CN-G15M / Model CE-CN-G24M
Model CE-CN-G36M / Model CE-CN-G48M

Section	Page
General Information -----	3 - 4
Safety and Warranty -----	4 - 6
Technical Specifications -----	6
Installation -----	7 - 12
Operation -----	12 - 13
Maintenance -----	14
Troubleshooting -----	14 - 15
Instructions Français -----	15 - 26
Parts Breakdown -----	27 - 31
Notes -----	32 - 34
Warranty Registration -----	35



General Information

Omcan Manufacturing and Distributing Company Inc., Food Machinery of America, Inc. dba Omcan and Omcan Inc. are not responsible for any harm or injury caused due to any person's improper or negligent use of this equipment. The product shall only be operated by someone over the age of 18, of sound mind, and not under the influence of any drugs or alcohol, who has been trained in the correct operation of this machine, and is wearing authorized, proper safety clothing. Any modification to the machine voids any warranty, and may cause harm to individuals using the machine or in the vicinity of the machine while in operation.

CHECK PACKAGE UPON ARRIVAL

Upon receipt of [an](#) Omcan shipment please inspect for external damage. If no damage is evident on the external packaging, open carton to ensure all ordered items are within the box, and there is no concealed damage to the machine. If the package has suffered rough handling, bumps or damage (visible or concealed), please note it on the bill of lading before accepting the delivery and contact Omcan within 24 hours, so we may initiate a claim with the carrier. A detailed report on the extent of the damage caused to the machine must be filled out within three days, from the delivery date shown in the shipping documents. Omcan has no recourse for damaged products that were shipped collect or third party.

Before operating any equipment, always read and familiarize yourself with all operation and safety instructions.

Omcan would like to thank you for purchasing this machine. It's of the utmost importance to save these instructions for future reference. Also save the original box and packaging for shipping the equipment if servicing or returning of the machine is required.

Omcan Fabrication et distribution Compañie Limité et Food Machinery d'Amérique, dba Omcan et Omcan Inc. ne sont pas responsables de tout dommage ou blessure causé du fait que toute personne ait utilisé cet équipement de façon irrégulière. Le produit ne doit être exploité que par quelqu'un de plus de 18 ans, saine d'esprit, et pas sous l'influence d'une drogue ou d'alcool, qui a été formé pour utiliser cette machine correctement, et est vêtu de vêtements de sécurité approprié. Toute modification de la machine annule toute garantie, et peut causer un préjudice à des personnes utilisant la machine ou des personnes à proximité de la machine pendant son fonctionnement.

VÉRIFIEZ LE COLIS DÈS RÉCEPTION

Dès réception d'une expédition d'Omcan veuillez inspecter pour dommages externes. Si aucun dommage n'est visible sur l'emballage externe, ouvrez le carton afin de s'assurer que tous les éléments commandés sont dans la boîte, et il n'y a aucun dommage dissimulé à la machine. Si le colis n'a subi aucune mauvaises manipulations, de bosses ou de dommages (visible ou cachée), notez-le sur le bond de livraison avant d'accepter la livraison et contactez Omcan dans les 24 heures qui suivent, pour que nous puissions engager une réclamation auprès du transporteur. Un rapport détaillé sur l'étendue des dommages causés à la machine doit être rempli dans un délai de trois jours, à compter de la date de livraison indiquée dans les documents d'expédition. Omcan n'a aucun droit de recours pour les produits endommagés qui ont été expédiés ou cueilli par un tiers transporteur.

General Information

Avant d'utiliser n'importe quel équipement, toujours lire et vous familiariser avec toutes les opérations et les consignes de sécurité.

Omcan voudrais vous remercier d'avoir choisi cette machine. Il est primordial de conserver ces instructions pour une référence ultérieure. Également conservez la boîte originale et l'emballage pour l'expédition de l'équipement si l'entretien ou le retour de la machine est nécessaire.

Omcan Empresa De Fabricacion Y Distribucion Inc. Y Maquinaria De Alimentos De America, Inc. dba Omcan y Omcan Inc. no son responsables de ningun daño o perjuicio causado por cualquier persona inadecuada o el uso descuidado de este equipo. El producto solo podra ser operado por una persona mayor de 18 años, en su sano juicio y no bajo alguna influencia de droga o alcohol, y que este ha sido entrenado en el correcto funcionamiento de esta máquina, y ésta usando ropa apropiada y autorizada. Cualquier modificación a la máquina **anúla** la garantía y puede causar daños a las personas usando la máquina mientras esta en el funcionamiento.

REVISE EL PAQUETE A SU LLEGADA

Tras la recepcion de un envio Omcan favor inspeccionar daños externos. Si no hay daños evidentes en el empaque exterior, Habra el carton para asegurarse que todos los articulos solicitados estén dentro de la caja y no encuentre daños ocultos en la máquina. Si el paquete ha sufrido un manejo de poco cuidado, golpes o daños (visible o oculto) por favor anote en la factura antes de aceptar la entrega y contacte Omcan dentro de las 24 horas, de modo que podamos iniciar una reclamación con la compañía. Un informe detallado sobre los daños causados a la máquina debe ser llenado en el plazo de tres días, desde la fecha de entrega que se muestra en los documentos de envío. Omcan no tiene ningun recurso por productos dañados que se enviaron a recoger por terceros.

Antes de utilizar cualquier equipo, siempre lea y familiarizarse con todas las instrucciones de funcionamiento y seguridad.

Omcan le gustaría darle las gracias por la compra de esta máquina. Es de la mayor importancia para salvar estas instrucciones para futuras consultas. Además, guarda la caja original y el embalaje para el envío del equipo si servicio técnico o devolución de la máquina que se requiere.

Safety and Warranty

GAS PRESSURE

The appliance and its individual shutoff valve (to be supplied by user) must be disconnected from the gas supply piping system during any pressure testing of that system at test pressures in excess of ½ psi (3.45 kPa). The appliance must be isolated from the gas supply piping system by closing its individual manual shut-off valve during any pressure testing of the gas supply piping system at test pressures equal to or less than ½ psi (3.45 kPa).

Safety and Warranty

- For your safety, do not store or use gasoline or other flammable vapors or liquids in the vicinity of this or any other appliances. Keep the area free and clear of combustible. (See ANSI Z83. 14B, 1991).
- Improper installation, adjustment, alteration, service or maintenance can cause property damage, injury, or death. Read the installation operating and maintenance instructions thoroughly before installing, or servicing this equipment.
- Instructions must be posted in a prominent location. All safety precautions must be taken in the event the user smells gas. Safety information can be obtained from your local gas supplier.
- These models are designed, built, and sold for commercial use only. If these models are positioned so the general public can use the equipment, make sure that cautions, warnings, and operating instructions are clearly posted near each unit so that anyone using the equipment will use it correctly and not injure themselves or harm the equipment.
- A factory authorized agent should handle all maintenance and repair. Before doing any maintenance or repair, contact your authorized service representative.
- This product is intended for commercial use only. Not for household use.
- Installation must comply with all local codes.

DANGER: This warns of imminent hazard, which could result in serious injury or death.

WARNING: This refers to a potential hazard or unsafe practice, which could result in serious injury or death.

CAUTION: This refers to a potential hazard or unsafe practice, which could result in minor or moderate injury or product or property damage.

NOTICE: This refers to information that needs special attention or must be fully understood even though not dangerous.

NOTICE: Local codes regarding installation vary greatly from one area to another. The National Fire Protection Association, Inc., states in its NFPA96 latest edition that local codes are “Authority Having Jurisdiction” when it comes to requirement for the installation of equipment. Therefore, the installation should comply with all local codes.

1 YEAR PARTS AND LABOUR WARRANTY

Within the warranty period, contact Omcan Inc. at 1-800-465-0234 to schedule an Omcan authorized service technician to repair the equipment locally.

Unauthorized maintenance will void the warranty. Warranty covers electrical and part failures, not improper use.

Please see www.omcan.com/warranty.html for complete info.

WARNING:

The packaging components are classified as normal solid urban waste and can therefore be disposed of

Safety and Warranty

without difficulty.

In any case, for suitable recycling, we suggest disposing of the products separately (differentiated waste) according to the current norms.

DO NOT DISCARD ANY PACKAGING MATERIALS IN THE ENVIRONMENT!

Technical Specifications

GRIDDLE (THERMOSTAT)

Model	CE-CN-G15TPF	CE-CN-G24TPF	CE-CN-G36TPF	CE-CN-G48TPF
Cooking Dimensions	15" x 20" 377 x 510mm	24" x 20" 606 x 510mm	36" x 20" 911 x 510mm	48" x 20" 1216 x 510mm
# of Burners	1	2	3	4
BTU per Burner	30,000			
BTU per Hour	30,000	60,000	90,000	120,000
Pressure in W.C	6/10			
Dimensions	15" x 32.7" x 16.7" 381 x 830 x 425mm	24" x 32.7" x 16.7" 610 x 830 x 425mm	36" x 32.7" x 16.7" 915 x 830 x 425mm	48" x 32.7" x 16.7" 1220 x 830 x 425mm
Item Number	43016	43017	43018	43019

GRIDDLE (MANUAL)

Model	CE-CN-G15M	CE-CN-G24M	CE-CN-G36M	CE-CN-G48M
Cooking Dimensions	15" x 20" 377 x 510mm	24" x 20" 606 x 510mm	36" x 20" 911 x 510mm	48" x 20" 1216 x 510mm
# of Burners	1	2	3	4
BTU per Burner	30,000			
BTU per Hour	30,000	60,000	90,000	120,000
Pressure in W.C	6/10			
Dimensions	15" x 32.7" x 16.7" 381 x 830 x 425mm	24" x 32.7" x 16.7" 610 x 830 x 425mm	36" x 32.7" x 16.7" 915 x 830 x 425mm	48" x 32.7" x 16.7" 1220 x 830 x 425mm
Item Number	43737	43730	43731	43732

Note: Depth Direction includes the regulator Size



Installation

Ensure gas supply and gas type, are as shown on unit nameplate.

Unit installation must conform with the National Fuel Gas Code, ANSI Z223.1/NFPA 54, the National Gas Installation Code, CSA-B149.1, or the Propane Installation Code, CSA-B149.2 as applicable and in accordance with local codes.

Screw legs into the permanently fastened nuts on the four corners of the unit and tighten by hand. Level the unit by turning the adjustment screw at the bottom of each leg. Do not slide unit with legs mounted, lift if necessary to move unit.

Pipe threading compound must be resistant to the action of liquefied petroleum gases.

Caution: DO NOT use an open flame to check for leaks. Check all gas piping for leaks with a soap and water solution before operating unit.

THESE UNITS ARE SUITABLE FOR INSTALLATION ON NON-COMBUSTIBLE SURFACES ONLY

Combustible clearances:

- 6" sides (152 mm).
- 6" rear (152 mm).
- 4" floor (102 mm).

Noncombustible clearances:

- 0" sides (0 mm).
- 0" rear (0 mm).
- 4" floor (102 mm).

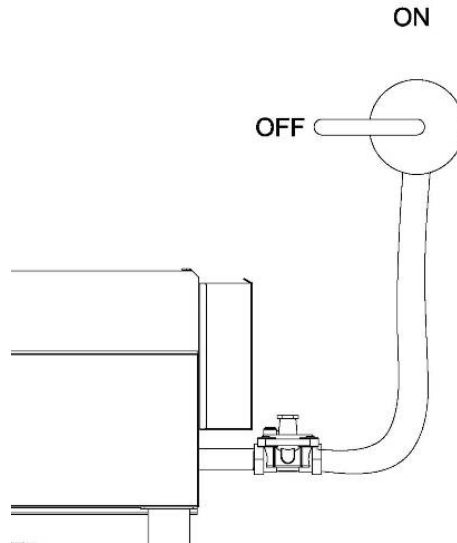
Do not obstruct the flow of combustion and ventilation air, under the unit by the legs or behind the unit by the flue. Adequate clearance for air openings into the combustion chamber is required. Do not place objects between the bottom of the unit and the counter top. There must be adequate clearance for removal of the front panel. All major parts except the burners are removable thru the front if the gas line is disconnected.

CONVERSION

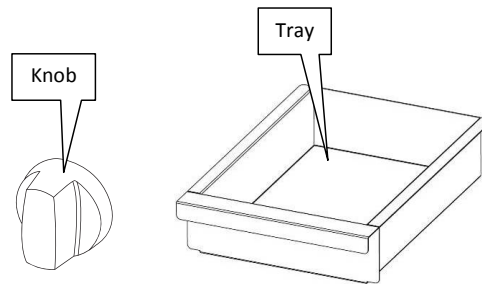
These instructions are for the conversion from Natural Gas to Propane (L.P.) on all models. The conversion should be done before connecting the unit to the gas supply. Units are shipped from the factory equipped for use on natural gas.

Installation

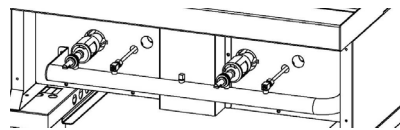
1. Shut-off the main isolation gas valve and follow the lock-out/tag-out procedure.



2. Pull-out and remove all the Dials.
Remove the Tray for ease of access.

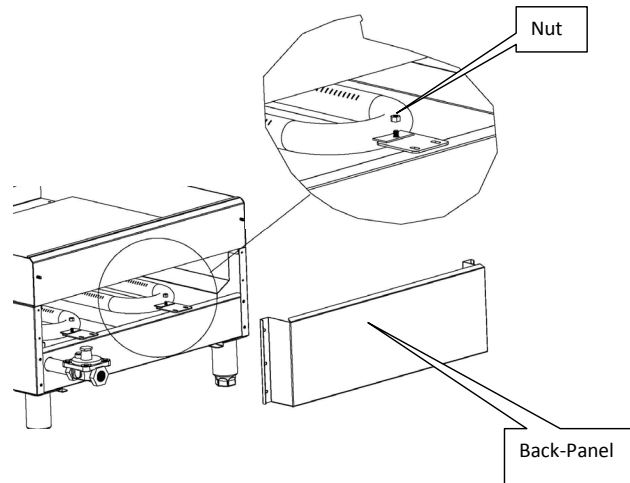


3. Remove the screws of the control panel.

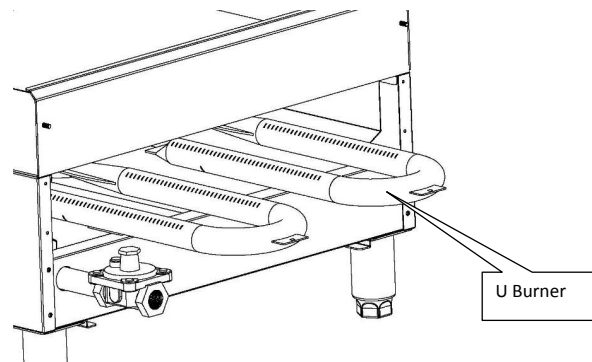


Installation

4. Remove the Back-Panel and Nut for U Burners.

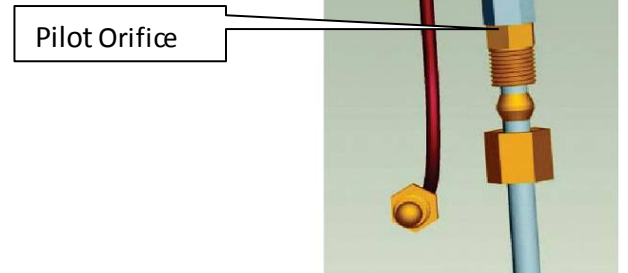
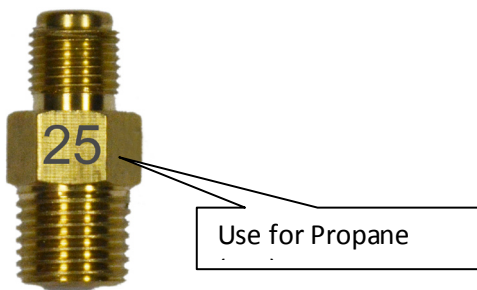
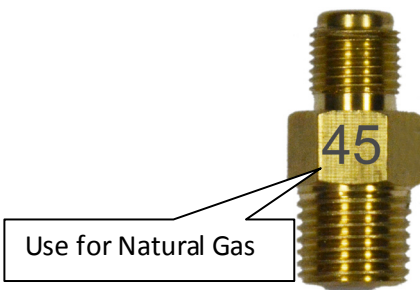
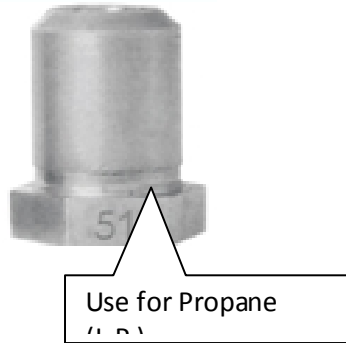
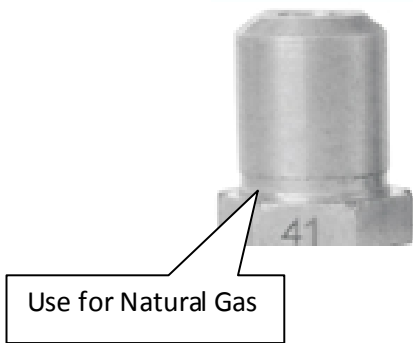
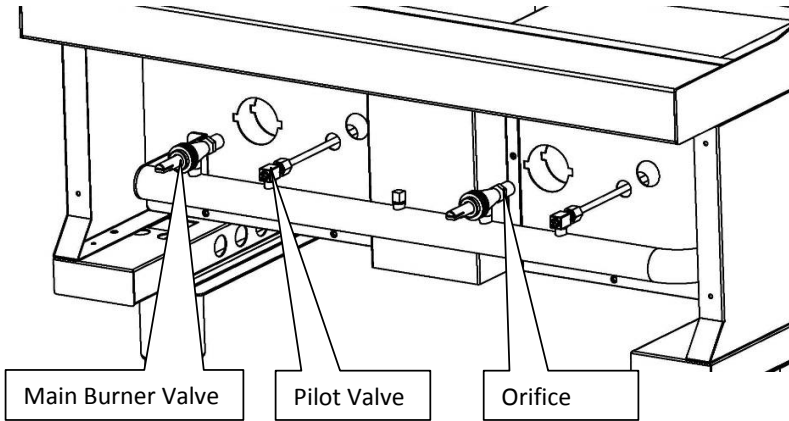


5. Remove the U Burners.



Installation

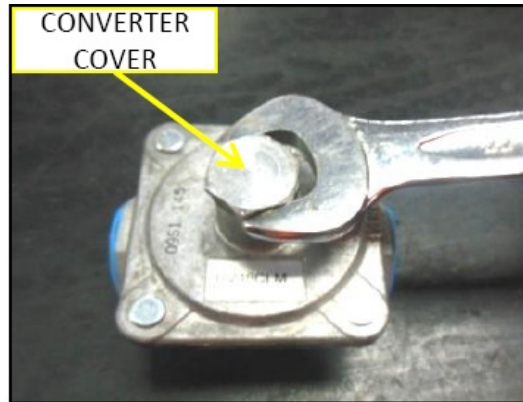
6. Remove the Orifice and Replace it. Use a 1/2" spanner.
See the list of Orifice numbers for the appropriate gas type.



Installation

7. Converting the Gas Regulator.

- a. Remove the converter cover from the regulator. Use a 7/8" spanner.



- b. Pull-out the converter from the cover.



- c. Position of converter when using Propane (L.P.)



- d. Install the converter cover to the regulator.

Note: The arrow in the regulator indicates the flow direction of the gas.

- 8. Re-install the U burners.
- 9. Check leakage and re-install other parts.
- 10. Ignite the pilot burner and check flame state.
- 11. Turn the knobs to "High".

Installation

- If the U burner does not ignite, open the pilot valve more.
- If the pilot flame appears larger than necessary, turn it down and reset burner ignition.
- The pilot flame should be as small as possible but large enough to guarantee reliable ignition of the burners when the knobs are turned to “1”

Note: Please check leakage before re-installing the control-panel.

Operation

LIGHTING INSTRUCTIONS

FOR THERMOSTAT MODELS

Lighting the Main Burners

These Griddles are fitted with individual standing pilots for each burner. Flame Failure Protection is incorporated for each burner by way of a thermo-electric system which will shut off the gas supply to that burner in the event that the burner goes out, so that un-burnt gas is not expelled.

- Select the burner required, depress and turn the corresponding gas control knob anti-clockwise to the ‘PILOT’ position.
- With the gas control knob depressed, manually light the pilot burner.
- Release the gas control knob after approximately 10-20 seconds after lighting the pilot burner.
- The pilot burner should stay alight - if not, repeat the above steps.
- Rotate the gas control knob anti-clockwise to the desired temperature mark.
- The main burner will be now ignited automatically.

Turning ‘OFF’ the Main Burners / Pilots

- To turn ‘OFF’ the main burner, but keep the pilot burner lit, rotate the gas control knob to the ‘PILOT’ position. The main burner will extinguish and the pilot will remain lit.
- To turn ‘OFF’ the ‘PILOT’, depress and turn the gas control knob clockwise back to the ‘OFF’ position. The ‘PILOT’ burner will extinguish.

Note: Please wait at least 15 seconds to restart the main burners to maintain the best function of the thermostat valve after turning off the main burners.

FOR MANUAL MODELS

The pilot light on the appliance has been set at the factory. A screwdriver maybe required for the first lighting to adjust the flame for your elevation.

1. Turn off the manual valve and wait 5 minutes to clear the gas.
2. Turn all knobs to the “OFF” position.
3. Hold **an** ignition source (match) at the pilot. When the flame is established, remove the ignition source.
4. Turn the burner knobs to “ON”. If the burner does not ignite, promptly open the pilot valve more. If the pilot

flame appears larger than necessary, turn it down and reset burner ignition. The pilot flame should be as small as possible but large enough to guarantee reliable ignition of the burners when the knobs are turned to "ON".

Lighting main burner

To light burner, turn knob to "ON." Then back off to the desired flame level. The range of adjustment is virtually infinite between "ON" and "OFF".

Main burner air supply

1. For efficient burner operation, a proper balance of gas volume and primary air supply must be maintained which will result in complete combustion. Insufficient air supply results in a yellow streaming flame. Primary air supply is controlled by [an](#) air shutter on the front of the burner.
2. Loosen the screws on the front of the burner and adjust the air shutter to just eliminate the yellow tips of the burner flame. Lock the air shutter in place by tightening the screws.

CAUTION: All burners are lit from constantly burning pilots. Turning the valve to the desired flame height is all that is required to put the unit in service. Do not permit fans to blow directly at the unit. Wherever possible, avoid open windows next to the unit's sides or back. Avoid wall-type fans, which create air crosscurrents within a room.

It is also necessary that sufficient air should be allowed to enter the room to compensate for the amount of air removed by any ventilating system. Otherwise, a subnormal atmospheric pressure will occur, affecting operation and causing undesirable working conditions.

A properly designed and installed hood will act as the heart of the ventilating system for the room or area in which the unit is installed, and will leave the unit independent of changing draft conditions.

All valves must be checked and lubricated periodically. This must be done by [an](#) authorized service representative in your area.

SEASON GRIDDLE

Heat to low temperature (300 - 350°F/150-180°C) and pour on a small amount of cooking oil, about one ounce (30cc) per square foot of surface. Spread the oil over the entire griddle surface with a cloth to create a thin film. Wipe off any excess oil with a cloth. Repeat this procedure 2 to 3 times until the griddle has a slick, mirror-like surface.

OPERATION

Turn the burners on about 15-20 minutes before cooking for preheating. Set the knobs to the desired flame height or temperature. Each valve will control the gas flow to the burner to bring that area of the unit up to the set temperature. If different temperature settings are to be used, adjoining areas should be set at progressively higher temperatures using the lowest temperatures on the outside burners. A uniform and systematic approach to the loading of the unit will produce the most consistent product results.

Maintenance

INITIAL CLEANING

Prior to operating your new griddle, thoroughly wash the griddle surface and the exterior with a mild detergent or soap solution. Do not use abrasive cleaners since this might damage the cabinet finish. If the stainless steel surfaces become discolored, scrub by rubbing only in the direction of the finished grain.

DAILY CLEANING

1. Always turn unit off and allow it to cool completely before cleaning. Clean thoroughly before first use.
2. After each use, clean the griddle with wire brush or flexible spatula.
3. Once a day, thoroughly clean splash back, sides and front. Remove the grease drawer, empty it and wash it out.
4. Once a week, clean the griddle surface thoroughly. If necessary, use a griddle stone, wire brush or steel wool on the surface. Rub with the grain of the metal while the griddle is still warm. A detergent may be used on the plate surface to help clean it; but, care must be taken to be sure the detergent is thoroughly removed. After removal of the detergent, the surface of the plate should then be covered with a thin film of oil to prevent rusting. Clean stainless surfaces with a damp cloth and polish with a soft dry cloth. To remove discoloration, use a nonabrasive cleaner. After each “weekly” cleaning, the griddle must be seasoned again. If the griddle usage is very high, the “weekly” cleaning procedures may be done more often than once a week.
5. The griddle plate and splashguard are bonded together by a thick weld from the bottom side to insure many years of leak free use. When the plate is heated daily, a small amount of oil may appear in the gap between the splashguard and plate. If this occurs, run a scraper down the edges and wipe down with a clean cloth.

NOTE: Parts protected by the manufacturer or his agent are not to be adjusted by the installer, unless the installer is an authorized service agent.

Troubleshooting

Troubles	Possible Causes
Pilot burner cannot be lit.	The pilot valve is obstructed.
	Pilot gas turned off pilot valve.
	The pilot valve is bad.
Fat appears to smoke excessively.	Griddle plate is too hot.
	Moisture in the food may be turning into steam.
Food sticks to griddle.	Griddle plate is too hot.
	Griddle surface needs cleaning and/or seasoning.
	Surface under food may not have been covered with enough cooking oil.
Food burned around edges or contains dark specks.	Griddle plate is too hot.
	Griddle surface needs cleaning and/or seasoning.
	Surface under food may not have been covered with enough cooking oil.

Troubleshooting

Food is under cooked inside.	Griddle plate is too hot
	Food may not have been cooked for long enough time.
Food tastes greasy or has objectionable off-flavor.	Griddle plate is too hot.
	Food itself may have off flavor.
	Food may have been stored improperly before cooking.
	Too much fat used.
Noticeable build-up of gum on griddle.	Griddle plate is too hot.
	Griddle surface needs cleaning and/or seasoning.
	Too much fat used.

REFERENCE

Item Number	Model Number	Description	Manufacturer Model Number
43016	CE-CN-G15TPF	Gas Griddle 1 Burner 15" / 381mm with Thermostat Controls 30,000 BTU ETL	UR-G15TPF
43017	CE-CN-G24TPF	Gas Griddle 2 Burners 24" / 610mm with Thermostat Controls 60,000 BTU ETL	UR-G24TPF
43018	CE-CN-G36TPF	Gas Griddle 3 Burners 36" / 914mm with Thermostat Controls 90,000 BTU ETL	UR-G36TPF
43019	CE-CN-G48TPF	Gas Griddle 4 Burners 48" / 1219mm with Thermostat Controls 120,000 BTU ETL	UR-G48TPF
43737	CE-CN-G15M	Gas Griddle 1 Burner 15" / 381mm 30,000 BTU ETL	UR-G15M
43730	CE-CN-G24M	Gas Griddle 2 Burners 24" / 610mm 60,000 BTU ETL	UR-G24M
43731	CE-CN-G36M	Gas Griddle 3 Burners 36" / 914mm 90,000 BTU ETL	UR-G36M
43732	CE-CN-G48M	Gas Griddle 4 Burners 48" / 1219mm 120,000 BTU ETL	UR-G48M

Instructions Français

SÉCURITÉ ET GARANTIE

PRESSION DE GAZ

L'appareil et son robinet d'arrêt individuel (doit être fournie par l'utilisateur) doivent être débranchés du

Instructions Français

système de tuyauterie d'alimentation en gaz pendant les essais de pression de ce système à des pressions d'essai supérieures à ½ psi (3,45 kPa). L'appareil doit être isolé du système de tuyauterie d'alimentation de gaz en fermant son robinet manuel d'arrêt individuel durant tout test de pression du système de tuyauterie d'alimentation en gaz à des pressions d'essai de moins de ½ psi (3,45 kPa) ou égales à.

- Pour votre sécurité, ne pas stocker ou utiliser de l'essence ou d'autres vapeurs inflammables ou des liquides dans le voisinage de cet appareil ou d'autres appareils. Gardez la zone libre et quitte de combustible. (Voir la norme ANSI Z83. 14B, 1991).
- Une installation, un réglage, une modification, un service ou d'entretien peuvent causer des dommages matériels, des blessures ou la mort. Lisez les instructions de fonctionnement et d'entretien d'installation avant d'installer ou d'entretenir cet équipement.
- Les instructions doivent être affichées dans un endroit bien en vue. Toutes les précautions de sécurité doivent être prises en cas d'odeur de gaz. Consignes de sécurité peut être obtenue auprès de votre fournisseur de gaz local.
- Ces modèles sont conçus, fabriqués et vendus pour un usage commercial seulement. Si ces modèles sont positionnés de sorte que le grand public peut utiliser le matériel, assurez-vous que les mises en garde, les avertissements et les instructions sont clairement affichés près de chaque unité afin que toute personne utilisant l'équipement va l'utiliser correctement et ne pas se blesser ou de nuire à l'équipement.
- Un agent autorisé de l'usine devrait effectuer toute la maintenance et la réparation. Avant de faire tout entretien ou réparation, contactez votre représentant de service autorisé.
- Ce produit est destiné à un usage commercial. Pas pour usage domestique.
- L'installation doit se conformer à tous les codes locaux.

DANGER: Ce avertit du danger imminent, qui pourrait entraîner des blessures graves ou la mort.

AVERTISSEMENT: Ceci se rapporte à un danger potentiel ou une pratique dangereuse qui pourrait entraîner des blessures graves ou la mort.

ATTENTION: Ceci se rapporte à un danger potentiel ou une pratique dangereuse qui pourrait entraîner des blessures mineures ou modérées ou des dégâts matériels.

AVIS: Ceci se réfère à l'information qui nécessite une attention spéciale ou doivent être pleinement compris, même si pas dangereux.

AVIS: local codes concernant l'installation varient grandement d'une région à l'autre. La National Fire Protection Association, Inc., déclare dans sa dernière édition que NFPA96 codes locaux sont «autorité compétente» quand il vient à l'exigence pour l'installation de l'équipement. Par conséquent, l'installation doit se conformer à tous les codes locaux.

1 AN PIÈCES ET GARANTIE DU TRAVAIL

Dans la période de garantie, contacter Omcan Inc. au 1-800-465-0234 pour planifier une Omcan technicien autorisé à réparer l'équipement localement.

Entretien non autorisée annulera la garantie. La garantie couvre les pannes électriques et de pièces,

Instructions Français

pas une mauvaise utilisation.

S'il vous plaît voir www.omcan.com/warranty.html pour info complète.

ATTENTION:

Les matériaux d'emballage sont considérés comme des déchets solides urbains normale et peuvent donc être éliminés sans difficulté.

En tout cas, pour le recyclage approprié, nous suggérons au rebut des produits séparément (différenciée des déchets) selon les normes actuelles.

NE PAS JETER MATÉRIAUX D'EMBALLAGE DANS L'ENVIRONNEMENT!

SPÉCIFICATIONS TECHNIQUES

PLAQUE DE CUISSON (THERMOSTAT)

Modèle	CE-CN-G15TPF	CE-CN-G24TPF	CE-CN-G36TPF	CE-CN-G48TPF
Dimensions cuisine	15" x 20" 377 x 510mm	24" x 20" 606 x 510mm	36" x 20" 911 x 510mm	48" x 20" 1216 x 510mm
Nombre de brûleurs	1	2	3	4
BTU par brûleur	30,000			
BTU par heure	30,000	60,000	90,000	120,000
Pression dans W.C	6/10			
Dimensions	15" x 32.7" x 16.7" 381 x 830 x 425mm	24" x 32.7" x 16.7" 610 x 830 x 425mm	36" x 32.7" x 16.7" 915 x 830 x 425mm	48" x 32.7" x 16.7" 1220 x 830 x 425mm
Numéro d'article	43016	43017	43018	43019

Instructions Français

PLAQUE DE CUISSON (MANUEL)

Modèle	CE-CN-G15M	CE-CN-G24M	CE-CN-G36M	CE-CN-G48M
Dimensions cuisine	15" x 20" 377 x 510mm	24" x 20" 606 x 510mm	36" x 20" 911 x 510mm	48" x 20" 1216 x 510mm
Nombre de brûleurs	1	2	3	4
BTU par brûleur	30,000			
BTU par heure	30,000	60,000	90,000	120,000
Pression dans W.C	6/10			
Dimensions	15" x 32.7" x 16.7" 381 x 830 x 425mm	24" x 32.7" x 16.7" 610 x 830 x 425mm	36" x 32.7" x 16.7" 915 x 830 x 425mm	48" x 32.7" x 16.7" 1220 x 830 x 425mm
Numéro d'article	43737	43730	43731	43732

Remarque: Profondeur Direction comprend le régulateur Taille.

INSTALLATION

Assurer l'approvisionnement en gaz et le type de gaz, sont, comme indiqué sur la plaque signalétique unité.

Installation de l'unité doit être conforme avec le National Fuel Gas Code, ANSI Z223.1 / NFPA 54, le Code national du gaz de l'installation, CSA-B149.1, ou le Code d'installation du propane, CSA-B149.2 le cas échéant et conformément aux codes locaux.

Visser les jambes dans les écrous fixés de façon permanente sur les quatre coins de l'unité et serrez à la main. L'unité à niveau en tournant la vis de réglage au bas de chaque jambe. Ne pas faire glisser l'unité avec les jambes montés, ascenseur si nécessaire pour déplacer l'unité.

Tuyau composé de filetage doit être résistant à l'action des gaz de pétrole liquéfiés.

Attention: Ne pas utiliser de flamme nue pour détecter les fuites. Vérifiez tous les tuyaux de gaz pour des fuites avec une solution d'eau et du savon avant de l'unité d'exploitation.

CES UNITÉS SONT À INSTALLER SUR LE SURFACES NON COMBUSTIBLES

Dégagements combustibles:

- 6 faces «(152 mm).
- 6 «à l'arrière (152 mm).
- 4 «étage (102 mm).

Dégagements incombustibles:

- 0 côtés «(0 mm).

Instructions Français

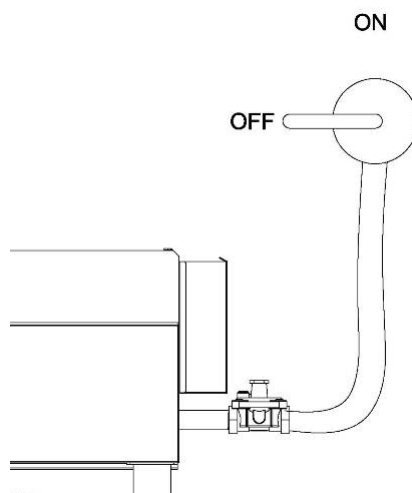
- 0 arrière «(0 mm).
- 4 «étage (102 mm).

Ne pas obstruer le flux de combustion et de ventilation, sous l'unité par les jambes ou derrière l'unité par la fumée. Un espace suffisant pour des ouvertures d'air dans la chambre de combustion est nécessaire. Ne placez pas d'objets entre le bas de l'appareil et le comptoir. Il doit y avoir un espace suffisant pour le retrait de la face avant. Toutes les pièces principales, sauf les brûleurs sont amovibles à travers l'avant si la conduite de gaz est déconnectée.

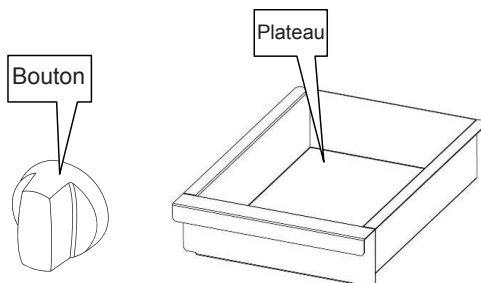
CONVERSION

Ces instructions sont pour la conversion du gaz naturel au propane (LP) sur tous les modèles. La conversion devrait être fait avant de connecter l'appareil à l'alimentation en gaz. Les unités sont expédiées depuis l'usine équipée pour une utilisation sur le gaz naturel.

1. Shut-off de la soupape principale de gaz d'isolement et de suivre le lock-out / procédure de tag-out.

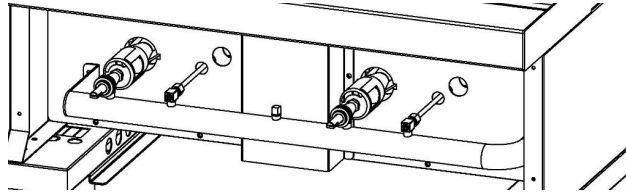


2. Tirez-out et de supprimer tous les cadrans.
Retirez le bac pour la facilité d'accès.

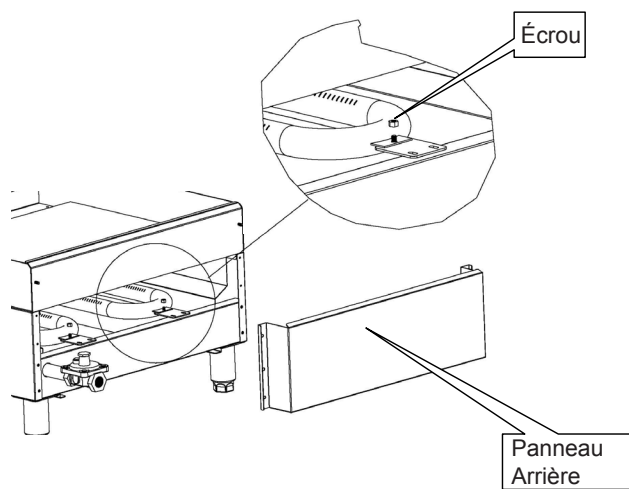


Instructions Français

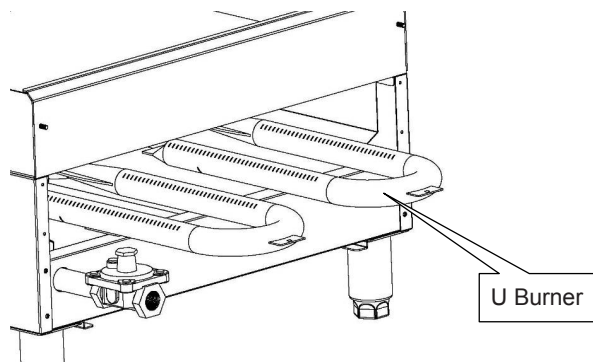
3. Retirez les vis du panneau de contrôle.



4. Retirez le panneau arrière et un écrou pour U brûleurs.

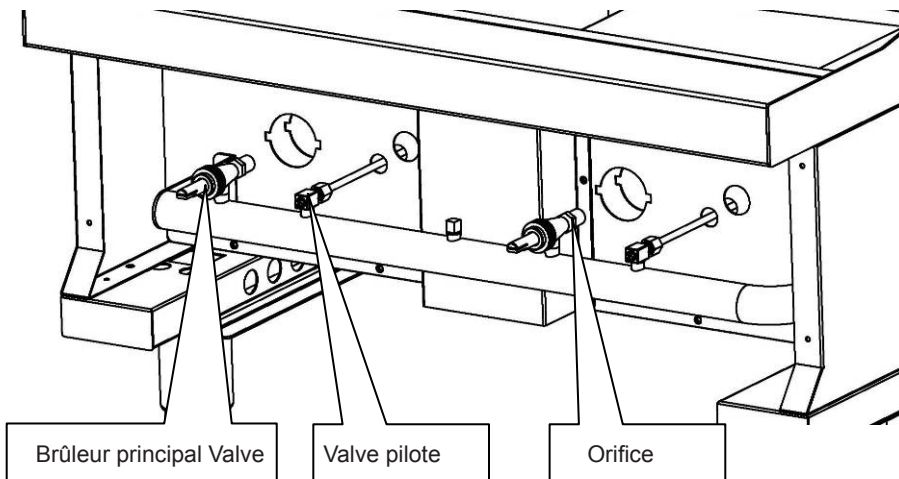


5. Retirez les brûleurs en U.

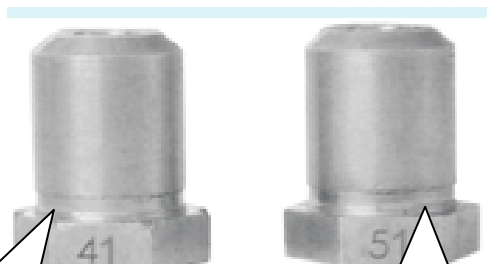


Instructions Français

6. Enlevez l'orifice et le remplacer. Utilisez un «clé 1/2».
Voir la liste des numéros d'orifice pour le type de gaz approprié.



Orifice



Utilisez pour le gaz naturel

Utilisez pour le propane

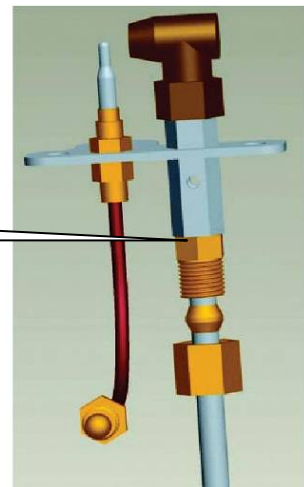


Utilisez pour le gaz naturel



Utilisez pour le propane

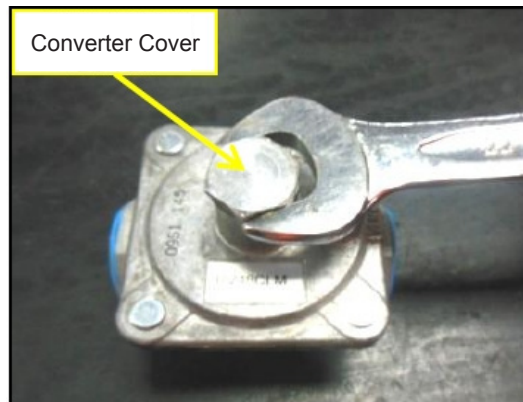
Orifice de la veilleuse



Instructions Français

7. Conversion du régulateur de gaz.

- a. Retirez le couvercle de convertisseur du régulateur. Utilisez un «clé 7/8.



- b. Tirez-le convertisseur de la couverture.



- c. Position du convertisseur lors de l'utilisation du propane (L.P.)



- d. Installez le capot du convertisseur pour le régulateur.

Remarque: La flèche indique le régulateur dans la direction d'écoulement du gaz.

8. Re-installer les brûleurs de U.
9. Vérifiez les fuites et ré-installer d'autres parties.
10. Allumer le brûleur de la veilleuse et vérifier l'état de la flamme.
11. Tournez les boutons pour «High».

Instructions Français

- Si le brûleur U ne allume pas, ouvrir la vanne pilote plus.
- Si la flamme de la veilleuse apparaît plus grande que nécessaire, baissez et réinitialiser l'allumage du brûleur.
- La flamme de la veilleuse doit être aussi petit que possible, mais suffisamment grande pour garantir un allumage fiable des brûleurs lorsque les boutons sont tournés sur «I».

Note: S'il vous plaît vérifier les fuites avant de réinstaller le panneau de commande.

OPÉRATION

INSTRUCTIONS D'ALLUMAGE

POUR LES MODÈLES DE THERMOSTATS

Allumage des brûleurs principaux

Ces plaques chauffantes sont équipés de pilotes de commandes individuelles pour chaque brûleur. Protection Flamme de défaillance est incorporé pour chaque brûleur au moyen d'un système de thermo-électrique qui va couper l'alimentation de gaz pour que le brûleur dans le cas où le brûleur sort, de sorte que le gaz non brûlé est pas expulsé.

- Sélectionnez le graveur nécessaire, appuyer et tourner le bouton de commande de gaz anti-horaire correspondant à la position du «pilote».
- Avec le bouton de contrôle du gaz enfoncé, allumer la veilleuse manuellement.
- Relâchez le bouton de contrôle du gaz après environ 10-20 secondes après l'allumage du brûleur pilote.
- La veilleuse devrait rester allumée - si pas, répétez les étapes ci-dessus.
- Tournez le bouton de contrôle du gaz vers la gauche pour la marque de température désirée.
- Le brûleur principal sera maintenant allumé automatiquement.

Turning 'off' des brûleurs principaux / Pilotes

- Pour désactiver «OFF» du brûleur principal, mais garder la veilleuse allumée, tournez le bouton de contrôle du gaz à la position «PILOT». Le brûleur principal sera éteint et le pilote restera allumé
- Pour activer 'OFF' le «pilote», appuyer et tourner le bouton de contrôle du gaz dans le sens horaire à la position «OFF». Le brûleur «pilote» sera éteint.

Note: S'il vous plaît attendez au moins 15 secondes pour redémarrer les brûleurs principaux de maintenir le meilleur fonctionnement de la vanne thermostatique après avoir éteint les brûleurs principaux.

POUR LES MODÈLES MANUELS

Le voyant de l'appareil a été réglé à l'usine. Un tournevis peut être nécessaire pour le premier éclairage pour régler la flamme pour votre élévation.

1. Éteignez la vanne manuelle et attendre 5 minutes pour évacuer le gaz.
2. Tournez tous les boutons à la position «OFF».
3. Maintenez une source d'inflammation (de jeu) au pilote. Lorsque la flamme est établie, retirer la source

Instructions Français

d'allumage.

4. Tournez les boutons des brûleurs sur «ON». Si le brûleur ne allume pas, ouvrir rapidement la vanne pilote plus. Si la flamme de la veilleuse apparaît plus grande que nécessaire, baissez et réinitialiser l'allumage du brûleur. La flamme de la veilleuse doit être aussi petit que possible, mais suffisamment grande pour garantir un allumage fiable des brûleurs lorsque les boutons sont tournés sur «ON».

Allumer le brûleur principal

Pour allumer le brûleur, tourner le bouton sur «ON». Puis retour au large au niveau de la flamme voulue. La plage de réglage est pratiquement infinie entre «ON» et «OFF».

Alimentation en air du brûleur principal

1. Pour le fonctionnement du brûleur efficace, un bon équilibre entre le volume de gaz et d'air primaire doit être maintenue qui se traduira par une combustion complète. Résultats insuffisants d'alimentation en air en streaming flamme jaune. L'alimentation en air primaire est contrôlé par un volet d'air à l'avant du brûleur.
2. Desserrez les vis sur la face avant du brûleur et ajuster le volet d'air pour éliminer simplement les pointes jaunes de la flamme du brûleur. Verrouiller l'obturateur d'air en place en serrant les vis.

AVERTISSEMENT: Tous les brûleurs sont allumés par des pilotes qui brûlent en permanence. Tourner la vanne à la hauteur de flamme désirée est tout ce qui est nécessaire pour mettre l'appareil en service. Ne pas permettre aux fans de sauter directement à l'unité. Autant que possible, éviter les fenêtres ouvertes à côté des côtés de l'appareil ou le dos. Évitez les fans type de paroi, qui créent des contre-courants d'air dans une pièce.

Il est également nécessaire que suffisamment d'air devrait être autorisé à entrer dans la salle pour compenser la quantité d'air enlevé par tout système de ventilation. Sinon, une pression atmosphérique inférieure à la normale se produira, affecter le fonctionnement et provoquant des conditions de travail indésirables.

Une hotte bien conçu et installé agira comme le cœur du système de ventilation de la pièce ou la zone dans laquelle l'appareil est installé, et laissera l'unité indépendante de l'évolution des conditions de tirage.

Toutes les vannes doivent être vérifiées et lubrifiées périodiquement. Cela doit être fait par un représentant de service autorisé dans votre région.

SAISON GRIDDLE

Chauffer à basse température (300 à 350°F / 150-180°C) et versez sur une petite quantité d'huile de cuisson, environ une once (30cc) par pied carré de surface. Étaler l'huile sur la surface de la plaque chauffante ensemble avec un chiffon pour créer un film mince. Essuyer tout excès d'huile avec un chiffon. Répétez cette procédure 2 à 3 fois jusqu'à ce que la plaque a une surface lisse, comme un miroir.

FONCTIONNEMENT

Tournez les brûleurs sur environ 15-20 minutes avant la cuisson pour le préchauffage. Réglez les boutons à la hauteur de flamme désirée ou de la température. Chaque vanne va contrôler l'écoulement de gaz vers le brûleur à amener cette partie de l'appareil jusqu'à la température de consigne. Si différents réglages de température doivent être utilisés, les zones avoisinantes doivent être réglés à des températures

Instructions Français

progressivement plus élevés en utilisant les températures les plus basses sur les brûleurs à l'extérieur. Une approche uniforme et systématique pour le chargement de l'unité produira des résultats de produits les plus cohérentes.

ENTRETIEN

NETTOYAGE INITIAL

Avant de faire fonctionner votre nouvelle plaque de cuisson, laver soigneusement la surface de la plaque et l'extérieur avec un détergent doux ou une solution savonneuse. Ne pas utiliser de nettoyeurs abrasifs car cela pourrait endommager la finition du meuble. Si les surfaces en acier inoxydable se décolorent, gommage par frottement seulement dans le sens du grain fini.

NETTOYAGE QUOTIDIEN

1. Toujours éteindre l'appareil et le laisser refroidir complètement avant de le nettoyer. Nettoyez soigneusement avant la première utilisation.
2. Après chaque utilisation, nettoyer la plaque avec une brosse métallique ou d'une spatule souple.
3. Une fois par jour, dosseret nettoyer, les côtés et devant. Retirer le tiroir de la graisse, le vider et le laver.
4. Une fois par semaine, nettoyer soigneusement la surface de la plaque. Si nécessaire, utilisez une plaque de cuisson de la laine de pierre, brosse métallique ou en acier sur la surface. Frottez-les avec le grain du métal tandis que le gril est encore chaud. Un détergent peut être utilisé sur la surface de la plaque pour aider à nettoyer; mais, il faut prendre soin pour être sûr que le détergent est soigneusement éliminé. Après élimination du détergent, la surface de la plaque devrait alors être recouverte d'une mince couche d'huile pour éviter la rouille. Surfaces en acier inoxydable avec un chiffon humide et polissez avec un chiffon doux et sec. Pour éliminer la décoloration, utilisez un nettoyeur non abrasif. Après chaque nettoyage «hebdomadaire», la plaque doit être assaisonnée à nouveau. Si l'utilisation de la plaque de cuisson est très élevé, les procédures de nettoyage «hebdomadaire» peuvent être effectuées le plus souvent une fois par semaine.

NOTE: les pièces protégées par le fabricant ou son agent ne sont pas à être réglés par l'installateur, à moins que l'installateur est un agent de service autorisé.

DÉPANNAGE

Troubles	Causes possibles
Brûleur pilote ne peut pas être allumé.	La soupape pilote est obstrué.
	Gaz de pilote éteint vanne pilote.
	La vanne pilote est mauvaise.
Fat semble fume trop.	Plaque plaque de cuisson est trop chaude.
	Humidité dans les aliments peut être en train de devenir la vapeur.

Instructions Français

Alimentation colle à plaque chauffante.	Plaque plaque de cuisson est trop chaude.
	Surface Griddle besoin d'un nettoyage et / ou d'assaisonnement.
	Surface en nourriture peut ne pas avoir été couverte avec suffisamment d'huile de cuisson.
Alimentation brûlé autour des bords ou contient des taches sombres.	Plaque plaque de cuisson est trop chaude.
	Surface Griddle besoin d'un nettoyage et / ou d'assaisonnement.
	Surface en nourriture peut ne pas avoir été couverte avec suffisamment d'huile de cuisson.
La nourriture est cuit à l'intérieur.	Plaque plaque de cuisson est trop chaude.
	Les aliments peuvent ne pas avoir été cuits pour longtemps assez de temps.
Goût des aliments gras ou a un arrière-goût désagréable.	Plaque plaque de cuisson est trop chaude.
	Nourriture elle-même peut avoir hors saveur.
	Les aliments peuvent avoir été mal entreposé avant la cuisson.
	Trop de graisse utilisée.
Notable accumulation de gomme sur la plaque chauffante.	Plaque plaque de cuisson est trop chaude.
	Surface Griddle besoin d'un nettoyage et / ou d'assaisonnement.
	Trop de graisse utilisée.

REFERENCE

Numéro d'article	Numéro de modèle	La description	Numéro de modèle du fabricant
43016	CE-CN-G15TPF	Grille à gaz 1 Brûleurs 15" / 381mm avec thermostat 30,000 BTU ETL	UR-G15TPF
43017	CE-CN-G24TPF	Grille à gaz 2 Brûleurs 24" / 610mm avec thermostat 60,000 BTU ETL	UR-G24TPF
43018	CE-CN-G36TPF	Grille à gaz 3 Brûleurs 36" / 914mm avec thermostat 90,000 BTU ETL	UR-G36TPF
43019	CE-CN-G48TPF	Grille à gaz 4 Brûleurs 48" / 1219mm avec thermostat 120,000 BTU ETL	UR-G48TPF
43737	CE-CN-G15M	Grille à gaz 1 Brûleurs 15" / 381mm 30,000 BTU ETL	UR-G15M
43730	CE-CN-G24M	Grille à gaz 2 Brûleurs 24" / 610mm 60,000 BTU ETL	UR-G24M
43731	CE-CN-G36M	Grille à gaz 3 Brûleurs 36" / 914mm 90,000 BTU ETL	UR-G36M
43732	CE-CN-G48M	Grille à gaz 4 Brûleurs 48" / 1219mm 120,000 BTU ETL	UR-G48M

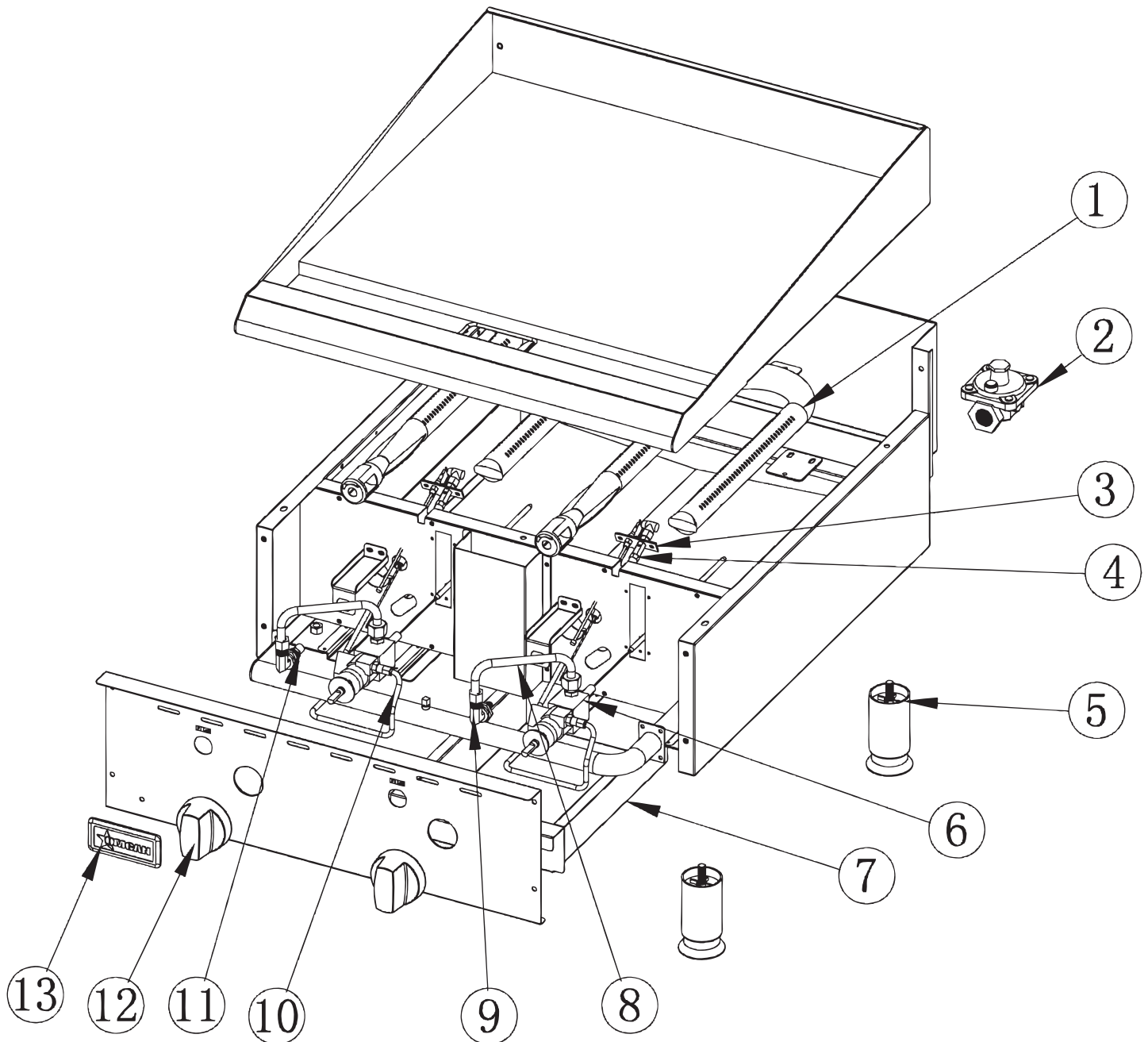
Parts Breakdown

Model CE-CN-G15TPF 43016

Model CE-CN-G24TPF 43017

Model CE-CN-G36TPF 43018

Model CE-CN-G48TPF 43019



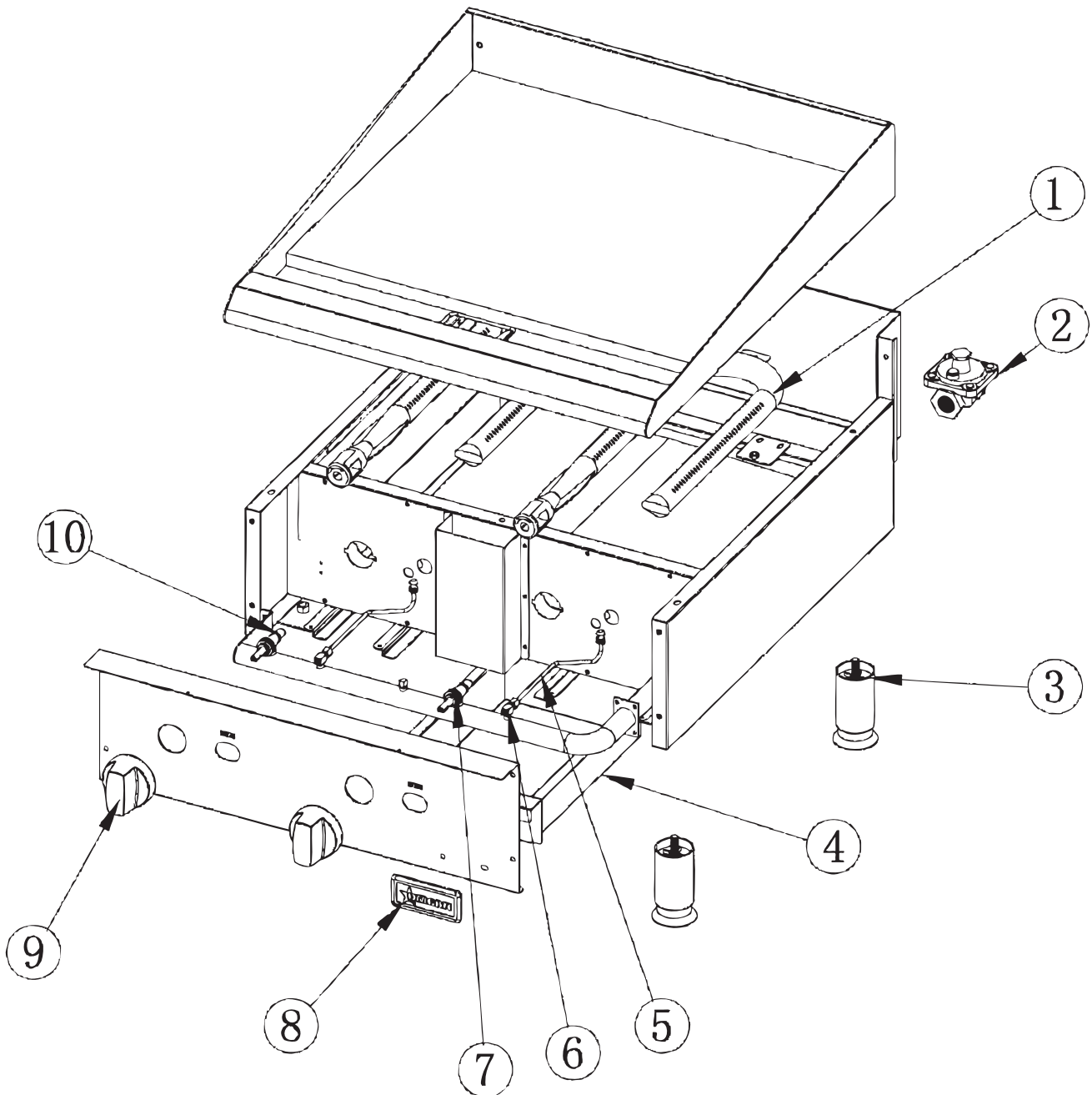
Parts Breakdown

Model CE-CN-G15M 43737

Model CE-CN-G24M 43730

Model CE-CN-G36M 43731

Model CE-CN-G48M 43732





Parts Breakdown

Model CE-CN-G15TPF 43016

Item No.	Description	Position	Item No.	Description	Position	Item No.	Description	Position
72406	Burner for G15TPF/G24TPF/G36TPF/G48TPF	1	72411	Thermostat Valve for G15TPF/G24TPF/G36TPF/G48TPF	6	72416	Orifice 41 # NAT for G15TPF/G24TPF/G36TPF/G48TPF	11
72407	Regulator for G15TPF/G24TPF/G36TPF/G48TPF	2	72412	Tray for G15TPF/G24TPF/G36TPF/G48TPF	7	43315	Dial for G15TPF/G24TPF/G36TPF/G48TPF	12
72408	Flame Device System (Exclude Injector) for G15TPF/G24TPF/G36TPF/G48TPF	3	72413	Main Pipe Assy. for G15TPF/G24TPF/G36TPF/G48TPF	8	43313	Brand for G15TPF/G24TPF/G36TPF/G48TPF	13
72409	ODS Injector-0.45 NAT for G15TPF/G24TPF/G36TPF/G48TPF	4	72414	L Connector for G15TPF/G24TPF/G36TPF/G48TPF	9	43305	Conversion Kit for G15TPF	14
72410	Foot for G15TPF/G24TPF/G36TPF/G48TPF	5	72415	Pilot Pipe Assy. for G15TPF/G24TPF/G36TPF/G48TPF	10			

Model CE-CN-G24TPF 43017

Item No.	Description	Position	Item No.	Description	Position	Item No.	Description	Position
72406	Burner for G15TPF/G24TPF/G36TPF/G48TPF	1	72411	Thermostat Valve for G15TPF/G24TPF/G36TPF/G48TPF	6	72416	Orifice 41 # NAT for G15TPF/G24TPF/G36TPF/G48TPF	11
72407	Regulator for G15TPF/G24TPF/G36TPF/G48TPF	2	72412	Tray for G15TPF/G24TPF/G36TPF/G48TPF	7	43315	Dial for G15TPF/G24TPF/G36TPF/G48TPF	12
72408	Flame Device System (Exclude Injector) for G15TPF/G24TPF/G36TPF/G48TPF	3	72413	Main Pipe Assy. for G15TPF/G24TPF/G36TPF/G48TPF	8	43313	Brand for G15TPF/G24TPF/G36TPF/G48TPF	13
72409	ODS Injector-0.45 NAT for G15TPF/G24TPF/G36TPF/G48TPF	4	72414	L Connector for G15TPF/G24TPF/G36TPF/G48TPF	9	43306	Conversion Kit for G24TPF	14
72410	Foot for G15TPF/G24TPF/G36TPF/G48TPF	5	72415	Pilot Pipe Assy. for G15TPF/G24TPF/G36TPF/G48TPF	10			

Model CE-CN-G36TPF 43018

Item No.	Description	Position	Item No.	Description	Position	Item No.	Description	Position
72406	Burner for G15TPF/G24TPF/G36TPF/G48TPF	1	72411	Thermostat Valve for G15TPF/G24TPF/G36TPF/G48TPF	6	72416	Orifice 41 # NAT for G15TPF/G24TPF/G36TPF/G48TPF	11
72407	Regulator for G15TPF/G24TPF/G36TPF/G48TPF	2	72412	Tray for G15TPF/G24TPF/G36TPF/G48TPF	7	43315	Dial for G15TPF/G24TPF/G36TPF/G48TPF	12
72408	Flame Device System (Exclude Injector) for G15TPF/G24TPF/G36TPF/G48TPF	3	72413	Main Pipe Assy. for G15TPF/G24TPF/G36TPF/G48TPF	8	43313	Brand for G15TPF/G24TPF/G36TPF/G48TPF	13
72409	ODS Injector-0.45 NAT for G15TPF/G24TPF/G36TPF/G48TPF	4	72414	L Connector for G15TPF/G24TPF/G36TPF/G48TPF	9	43307	Conversion Kit for G36TPF	14
72410	Foot for G15TPF/G24TPF/G36TPF/G48TPF	5	72415	Pilot Pipe Assy. for G15TPF/G24TPF/G36TPF/G48TPF	10			

Parts Breakdown

Model CE-CN-G48TPF 43019

Item No.	Description	Position	Item No.	Description	Position	Item No.	Description	Position
72406	Burner for G15TPF/G24TPF/G36TPF/G48TPF	1	72411	Thermostat Valve for G15TPF/G24TPF/G36TPF/G48TPF	6	72416	Orifice 41 # NAT for G15TPF/G24TPF/G36TPF/G48TPF	11
72407	Regulator for G15TPF/G24TPF/G36TPF/G48TPF	2	72412	Tray for G15TPF/G24TPF/G36TPF/G48TPF	7	43315	Dial for G15TPF/G24TPF/G36TPF/G48TPF	12
72408	Flame Device System (Exclude Injector) for G15TPF/G24TPF/G36TPF/G48TPF	3	72413	Main Pipe Assy. for G15TPF/G24TPF/G36TPF/G48TPF	8	43313	Brand for G15TPF/G24TPF/G36TPF/G48TPF	13
72409	ODS Injector-0.45 NAT for G15TPF/G24TPF/G36TPF/G48TPF	4	72414	L Connector for G15TPF/G24TPF/G36TPF/G48TPF	9	43308	Conversion Kit for G48TPF	14
72410	Foot for G15TPF/G24TPF/G36TPF/G48TPF	5	72415	Pilot Pipe Assy. for G15TPF/G24TPF/G36TPF/G48TPF	10			

Model CE-CN-G15M 43737

Item No.	Description	Position	Item No.	Description	Position	Item No.	Description	Position
73092	Burner for G15M/G24M/G36M/G48M	1	73096	Pilot Pipe for G15M/G24M/G36M/G48M	5	43309	Dial for G15M/G24M/G36M/G48M	9
73093	Regulator For G15M/G24M/G36M/G48M	2	73097	Pilot Valve for G15M/G24M/G36M/G48M	6	73099	Orifice 41 # NAT for G15M/G24M/G36M/G48M	10
73094	Foot for G15M/G24M/G36M/G48M	3	73098	Valve for G15M/G24M/G36M/G48M	7	42968	Conversion Kit for G15M	11
73095	Tray for G15M/G24M/G36M/G48M	4	43313	Brand for G15M/G24M/G36M/G48M	8			

Model CE-CN-G24M 43730

Item No.	Description	Position	Item No.	Description	Position	Item No.	Description	Position
73092	Burner for G15M/G24M/G36M/G48M	1	73096	Pilot Pipe for G15M/G24M/G36M/G48M	5	43309	Dial for G15M/G24M/G36M/G48M	9
73093	Regulator For G15M/G24M/G36M/G48M	2	73097	Pilot Valve for G15M/G24M/G36M/G48M	6	73099	Orifice 41 # NAT for G15M/G24M/G36M/G48M	10
73094	Foot for G15M/G24M/G36M/G48M	3	73098	Valve for G15M/G24M/G36M/G48M	7	42969	Conversion Kit for G24M	11
73095	Tray for G15M/G24M/G36M/G48M	4	43313	Brand for G15M/G24M/G36M/G48M	8			

Parts Breakdown

Model CE-CN-G36M 43731

Item No.	Description	Position	Item No.	Description	Position	Item No.	Description	Position
73092	Burner for G15M/G24M/G36M/G48M	1	73096	Pilot Pipe for G15M/G24M/G36M/G48M	5	43309	Dial for G15M/G24M/G36M/G48M	9
73093	Regulator For G15M/G24M/G36M/G48M	2	73097	Pilot Valve for G15M/G24M/G36M/G48M	6	73099	Orifice 41 # NAT for G15M/G24M/G36M/G48M	10
73094	Foot for G15M/G24M/G36M/G48M	3	73098	Valve for G15M/G24M/G36M/G48M	7	42970	Conversion Kit for G36M	11
73095	Tray for G15M/G24M/G36M/G48M	4	43313	Brand for G15M/G24M/G36M/G48M	8			

Model CE-CN-G48M 43732

Item No.	Description	Position	Item No.	Description	Position	Item No.	Description	Position
73092	Burner for G15M/G24M/G36M/G48M	1	73096	Pilot Pipe for G15M/G24M/G36M/G48M	5	43309	Dial for G15M/G24M/G36M/G48M	9
73093	Regulator For G15M/G24M/G36M/G48M	2	73097	Pilot Valve for G15M/G24M/G36M/G48M	6	73099	Orifice 41 # NAT for G15M/G24M/G36M/G48M	10
73094	Foot for G15M/G24M/G36M/G48M	3	73098	Valve for G15M/G24M/G36M/G48M	7	42971	Conversion Kit for G48M	11
73095	Tray for G15M/G24M/G36M/G48M	4	43313	Brand for G15M/G24M/G36M/G48M	8			



Warranty Registration

Thank you for purchasing an Omcan product. To register your warranty for this product, complete the information below, tear off the card at the perforation and then send to the address specified below. You can also register online by visiting:

Merci d'avoir acheté un produit Omcan. Pour enregistrer votre garantie pour ce produit, complétez les informations ci-dessous, détachez la carte au niveau de la perforation, puis l'envoyer à l'adresse spécifiée ci-dessous. Vous pouvez également vous inscrire en ligne en visitant:

Gracias por comprar un producto Omcan usted. Para registrar su garantía para este producto, complete la información a continuación, cortar la tarjeta en la perforación y luego enviarlo a la dirección indicada a continuación. También puede registrarse en línea en:

www.omcan.com/warrantyregistration.html

For mailing in Canada

Pour postale au Canada

Por correo en Canadá

OMCAN

PRODUCT WARRANTY REGISTRATION

3115 Pepper Mill Court,

Mississauga, Ontario

Canada, L5L 4X5

For mailing in the US

Pour diffusion aux États-Unis

Por correo en los EE.UU.

OMCAN

PRODUCT WARRANTY REGISTRATION

4450 Witmer Industrial Estates, Unit 4,

Niagara Falls, New York

USA, 14305

or email to: service@omcan.com



Purchaser's Information

Name: _____

Address: _____

City: _____ Province or State: _____ Postal or Zip: _____

Country: _____

Dealer from which Purchased: _____

Dealer City: _____ Dealer Province or State: _____

Invoice: _____

Model Name: _____ Model Number: _____

Machine Description: _____

Date of Purchase (MM/DD/YYYY): _____

Would you like to extend the warranty? Yes No

Company Name: _____

Telephone: _____

Email Address: _____

Type of Company:

Restaurant Bakery Deli

Butcher Supermarket Caterer

Institution (*specify*): _____

Other (*specify*): _____

Serial Number: _____

Date of Installation (MM/DD/YYYY): _____

Thank you for choosing Omcan | Merci d'avoir choisi Omcan | Gracias por elegir Omcan



Since 1951 Omcan has grown to become a leading distributor of equipment and supplies to the North American food service industry. Our success over these many years can be attributed to our commitment to strengthen and develop new and existing relationships with our valued customers and manufacturers. Today with partners in North America, Europe, Asia and South America, we continually work to improve and grow the company. We strive to offer customers exceptional value through our qualified local sales and service representatives who provide convenient access to over 3,500 globally sourced products.

Depuis 1951 Omcan a grandi pour devenir un des “leaders” de la distribution des équipements et matériel pour l’industrie des services alimentaires en Amérique du Nord. Notre succès au cours de ces nombreuses années peut être attribué à notre engagement à renforcer et à développer de nouvelles et existantes relations avec nos clients et les fabricants de valeur. Aujourd’hui avec des partenaires en Amérique du Nord, Europe, Asie et Amérique du Sud, nous travaillons continuellement à améliorer et développer l’entreprise. Nous nous efforçons d’offrir à nos clients une valeur exceptionnelle grâce à nos ventes locales qualifiées et des représentants de service qui offrent un accès facile à plus de 3500 produits provenant du monde entier.

Desde 1951 Omcan ha crecido hasta convertirse en un líder en la distribución de equipos y suministros de alimentos en América del Norte industria de servicios. Nuestro éxito en estos años se puede atribuir a nuestro compromiso de fortalecer y desarrollar nuevas relaciones existentes con nuestros valiosos clientes y fabricantes. Hoy con socios de América del Norte, Europa, Asia y América del Sur, que trabajan continuamente para mejorar y crecer la empresa. Nos esforzamos por ofrecer a nuestros clientes valor excepcional a través de nuestro local de ventas y representantes de los servicios que proporcionan un fácil acceso a más de 3,500 productos con origen a nivel mundial.

