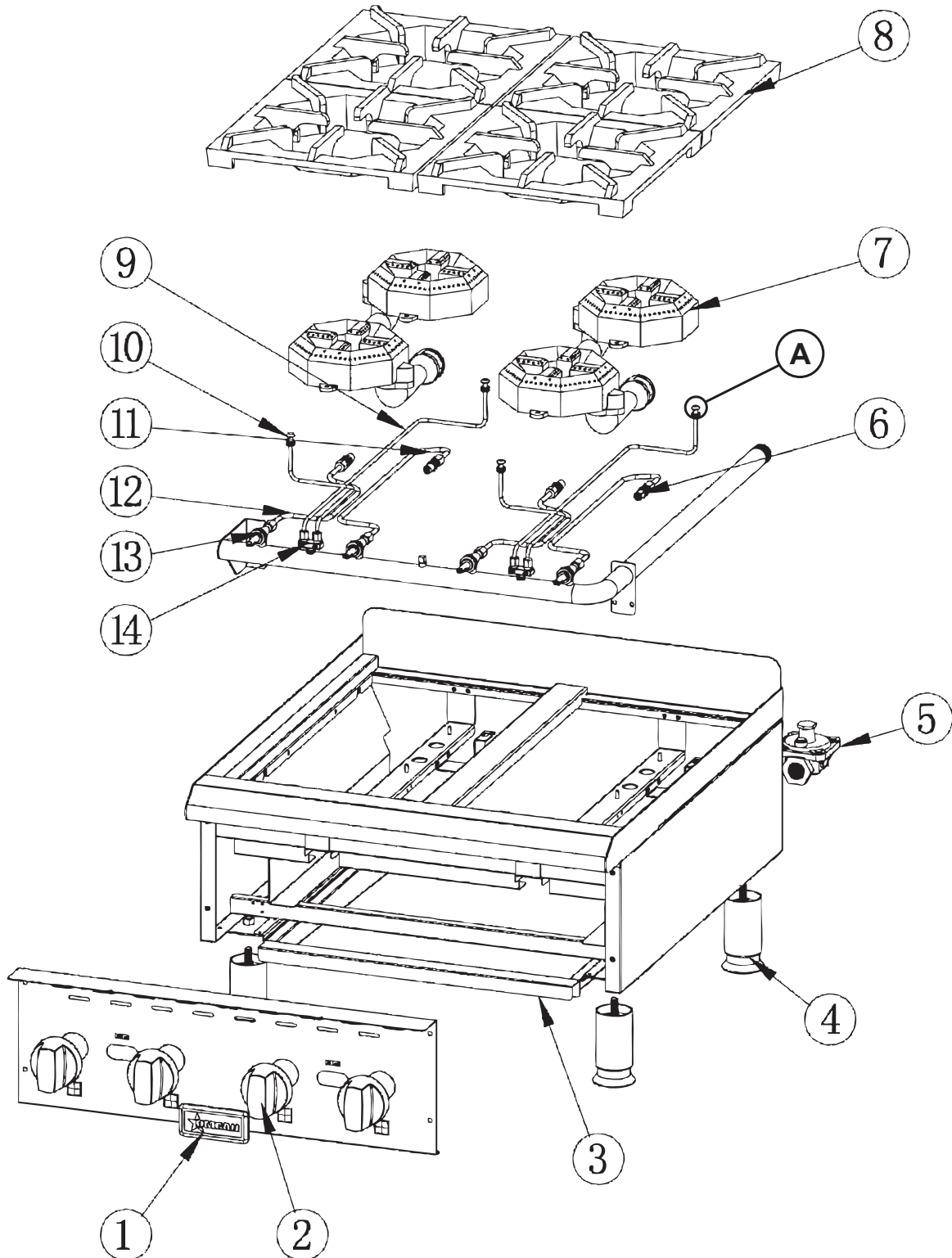


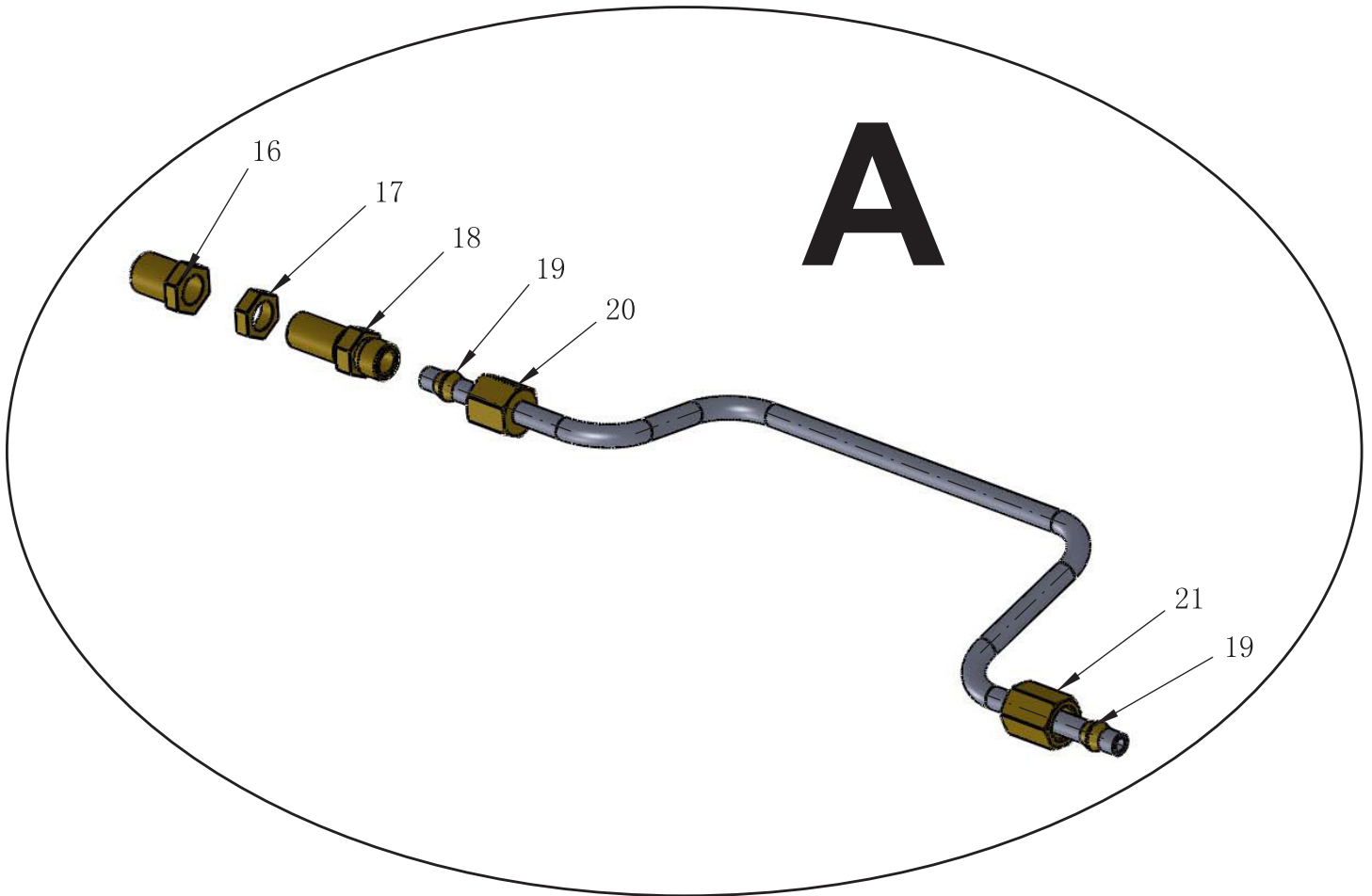
Parts Breakdown

Model **CE-CN-HP636M** 43735



Parts Breakdown

Model **CE-CN-HP636M** 43735





Parts Breakdown

Model CE-CN-HP636M 43735

Item No.	Description	Position	Item No.	Description	Position	Item No.	Description	Position
43313	Name Badge for Omcan for 43735	1	73107	Trivet for 43735	8	42963	Conversion Kits for 43735	15
43489	Red Dial for Manual Control Gas Equipment for 43735	2	73108	Back Pipe of Pilot Assembly for 43735	9	73105	Orifice 46 # NAT for 43735	16
72425	Tray for 43735	3	73109	Front Pipe of Pilot Assembly for 43735	10	63528	Nut for Pilot Tube for 43735	17
72410	Foot for 43735	4	73110	Main Gas Pipe Front for 43735	11	63529	Gas Pipe Connector for Pilot Tube for 43735	18
72407	Regulator for 43735	5	73111	Main Gas Pipe Rear for 43735	12	63530	Sleeve 6 Dia for Pilot Tube for 43735	19
73105	Orifice 46 # NAT for 43735	6	73090	Valve for 43735	13	63531	3/8 Burner Pipe Tie-In Nut for Pilot Tube for 43735	20
73106	Burner for 43735	7	73113	Pilot Valve for 43735	14	63532	3/8 Valve Tie-In Nut for Pilot Tube for 43735	21