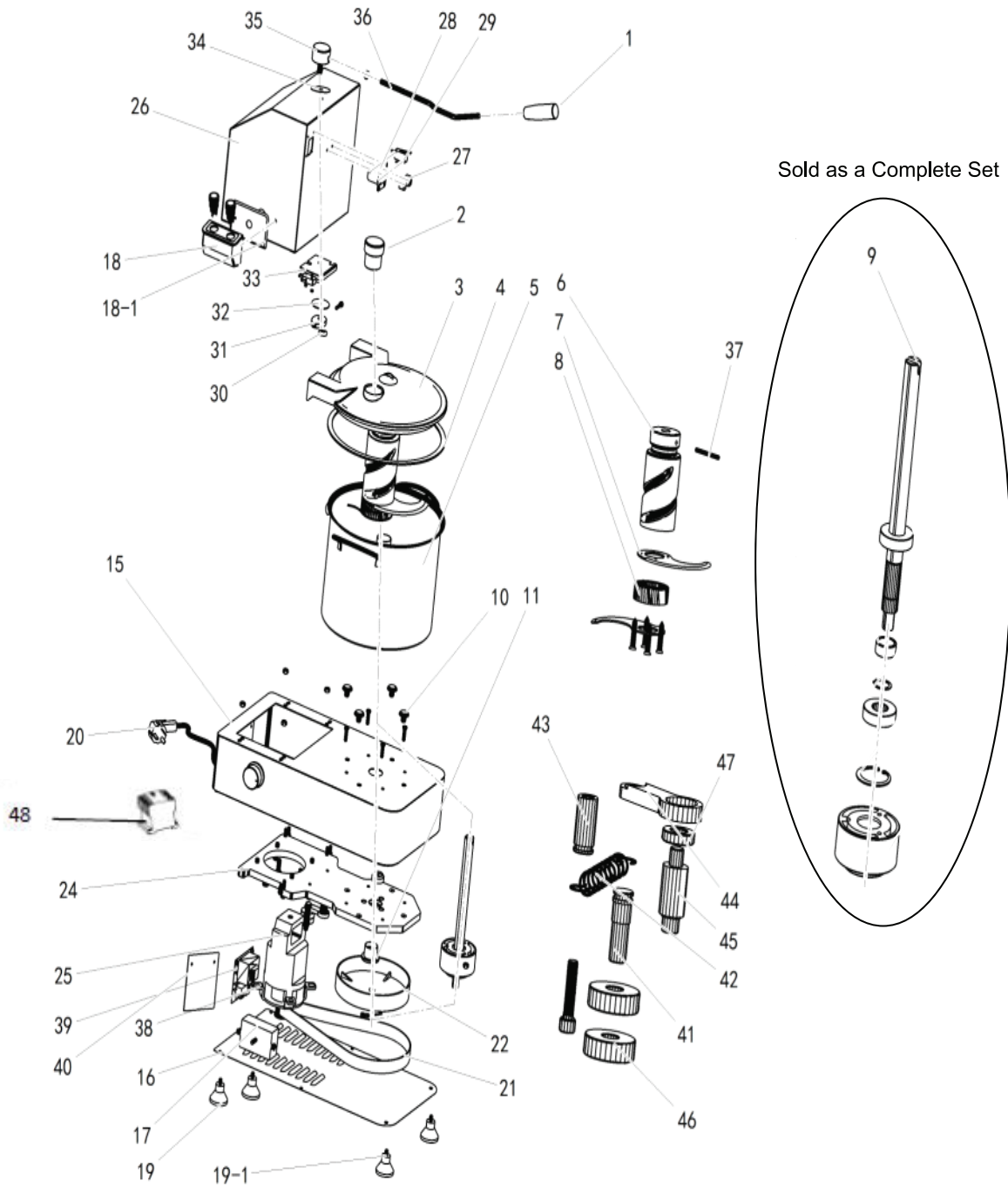


Parts Breakdown

Model FP-CN-0006 23545





Parts Breakdown

Model FP-CN-0006 23545

Item No.	Description	Position	Item No.	Description	Position	Item No.	Description	Position
70288	Handle for 23545	1	70306	Rubber Feet for 23545	19	70324	Compression Bar for 23545	36
70289	Chuck Plug for 23545	2	70307	Power Cable for 23545	20	70325	Dowel for 23545	37
70290	PC Cover for 23545	3	70308	Belt for 23545	21	AK817	Motor Holder for 23545	38
70291	Water Proof Gasket for 23545	4	70309	Big Belt Pulley for 23545	22	AK818	Circuit Board for 23545	39
70292	Container for 23545	5	70312	Main Board for 23545	24	70328	Installation Board for 23545	40
70293	Up Tool Apron for 23545	6	AK816	Motor for 23545	25	70329	Tension Wheel Shaft for 23545	41
70294	Rotate Knives for 23545	7	70314	Welding for 23545	26	70330	Tension Spring for 23545	42
70295	Down Tool Apron for 23545	8	70315	Limited Block for 23545	27	70331	Small Shaft for 23545	43
70296	Complete Shaft Set for 23545	9	70316	Front Switch Holder for 23545	28	70332	Tension Wheel Arm for 23545	44
70297	Rubber Gasket for 23545	10	70317	Sure Model Switch for 23545	29	70333	Wheel Shaft 2 for 23545	45
71445	Locating Sleeve for 23545	11	70318	Big Nut for 23545	30	70334	Bearing 6200 for 23545	46
70301	Base Seat Component for 23545	15	70319	Cam for 23545	31	70335	Bearing 6800 for 23545	47
70302	Base Board for 23545	16	70320	Big Gasket for 23545	32	AI418	Contact for 23545	48
70303	Knob for 23545	17	70321	Up Switch Holder for 23545	33	AK755	Bowl Securing Latch for 23545	
70304	Switch Box Seal Bar for 23545	18	70322	Nylon Gasket for 23545	34			
70305	Gasket for Electric Box for 23545	18-1	70323	Handle Seat for 23545	35			