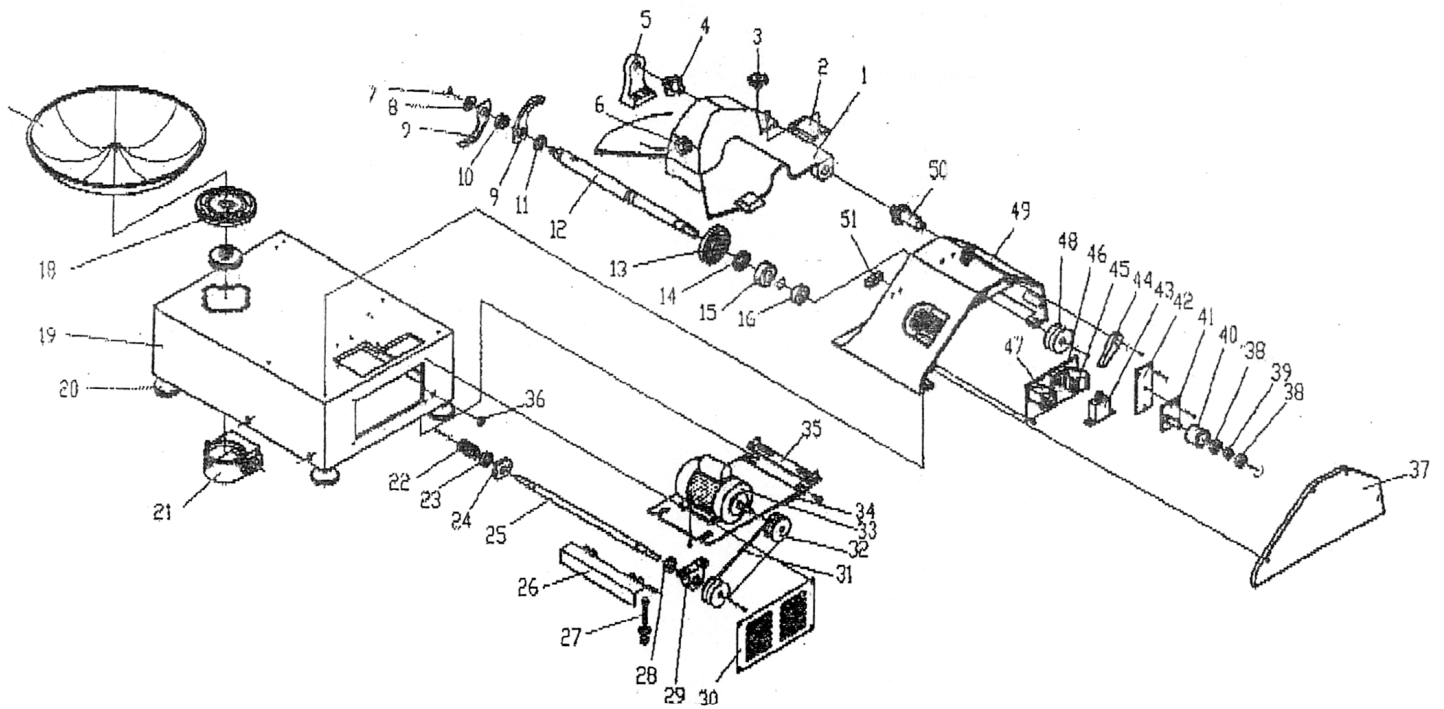


# Parts Breakdown

Model FP-CN-0008-B 16999



# Parts Breakdown

## Model FP-CN-0008-B 16999

Item No.	Description	Position	Item No.	Description	Position	Item No.	Description	Position
43031	Food Cover for 16999	1, 49	AE560	Bowl Support for 16999	18	AE565	Lock for 16999	36
AE546	Pressure Board for 16999	2	AE561	Body for 16999	19	AE566	Back Panel for 16999	37
AE547	Handle I for 16999	3	76858	Foot for 16999	20	AE567	Bearing 6206 for 16999	38
AE548	Cover Shaft II for 16999	4	AE562	Worm-Wheel Cover for 16999	21	AE568	Sleeve for 16999	39
AE549	Cover Support for 16999	5	76895	Worm-Wheel Cover for 16999	22	AE569	Tension Pulley for 16999	40
AE550	Handle II for 16999	6	76892	Bearing 202 for 16999	23	78639	Tension Seat for 16999	41
AE551	Left Screw M16x1.5 for 16999	7	76893	Bearing Cover for 16999	24	78640	Tension Pulley Support for 16999	42
AE552	Cutter Washer for 16999	8	AE563	Worm Drive Shaft for 16999	25	AE570	Safety Switch for 16999	43
AE553	Cutter for 16999	9	76871	Installing Support II for 16999	26	AE571	Safety Switch Panel for 16999	44
AE554	Cutter Insulated Ring for 16999	10	76872	Hinge for 16999	27	AE572	Contactor for 16999	45
AE555	Washer for 16999	11	76890	Bearing Seat for 16999	29	AE573	Protection Fixed Plate for 16999	46
76865	Blade Shaft for 16999	12	AE564	Body Cover for 16999	30	AE574	Heat Relay for 16999	47
76863	Bearing Cover for 16999	13	76889	VA Belt L 750 for 16999	31	AE575	Belt Pulley for 16999	48
AE556	Oil Seal B32x52x8 for 16999	14	76884	Belt Pulley for 16999	32	AE576	Cover Shaft I for 16999	50
AE557	Bearing 6206 for 16999	15	64198	Motor for 16999	33	AE577	Cover Fixed Panel for 16999	51
AE558	Bearing 6205 for 16999	16, 28	76878	Installing Panel for 16999	34			
AE559	Bowl for 16999	17	76876	Installing Support I for 16999	35			