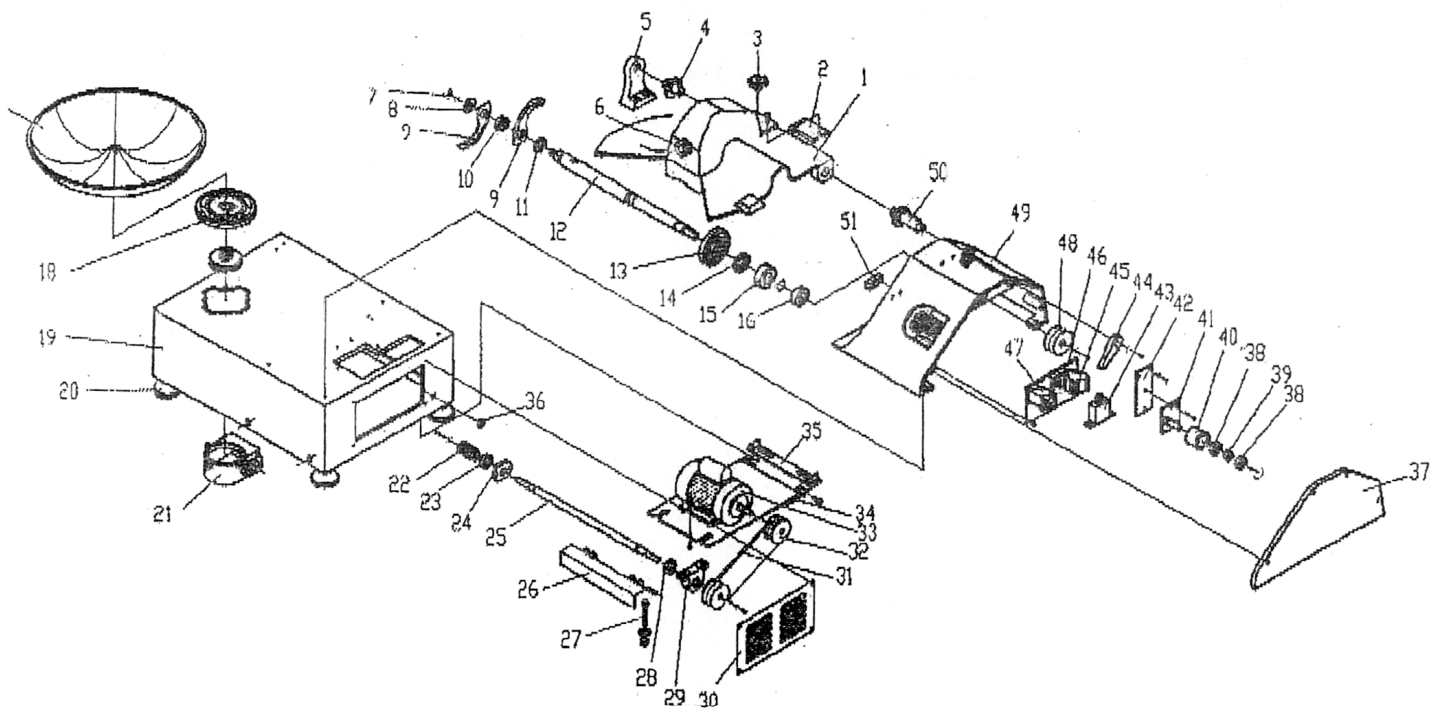


Parts Breakdown

Model FP-CN-0008 16998



Parts Breakdown

Model FP-CN-0008 16998

Item No.	Description	Position	Item No.	Description	Position	Item No.	Description	Position
43031	Food Cover for 16998	1, 49	AE560	Bowl Support for 16998	18	AE565	Lock for 16998	36
AE546	Pressure Board for 16998	2	AE561	Body for 16998	19	AE566	Back Panel for 16998	37
AE547	Handle I for 16998	3	76858	Foot for 16998	20	AE567	Bearing 6206 for 16998	38
AE548	Cover Shaft II for 16998	4	AE562	Worm-Wheel Cover for 16998	21	AE568	Sleeve for 16998	39
AE549	Cover Support for 16998	5	76895	Worm-Wheel Cover for 16998	22	AE569	Tension Pulley for 16998	40
AE550	Handle II for 16998	6	76892	Bearing 202 for 16998	23	78639	Tension Seat for 16998	41
AE551	Left Screw M16x1.5 for 16998	7	76893	Bearing Cover for 16998	24	78640	Tension Pulley Support for 16998	42
AE552	Cutter Washer for 16998	8	AE563	Worm Drive Shaft for 16998	25	AE570	Safety Switch for 16998	43
AE553	Cutter for 16998	9	76871	Installing Support II for 16998	26	AE571	Safety Switch Panel for 16998	44
AE554	Cutter Insulated Ring for 16998	10	76872	Hinge for 16998	27	AE572	Contactor for 16998	45
AE555	Washer for 16998	11	76890	Bearing Seat for 16998	29	AE573	Protection Fixed Plate for 16998	46
76865	Blade Shaft for 16998	12	AE564	Body Cover for 16998	30	AE574	Heat Relay for 16998	47
76863	Bearing Cover for 16998	13	76889	VA Belt L 750 for 16998	31	AE575	Belt Pulley for 16998	48
AE556	Oil Seal B32x52x8 for 16998	14	76884	Belt Pulley for 16998	32	AE576	Cover Shaft I for 16998	50
AE557	Bearing 6206 for 16998	15	76877	Motor for 16998	33	AE577	Cover Fixed Panel for 16998	51
AE558	Bearing 6205 for 16998	16, 28	76878	Installing Panel for 16998	34			
AE559	Bowl for 16998	17	76876	Installing Support I for 16998	35			