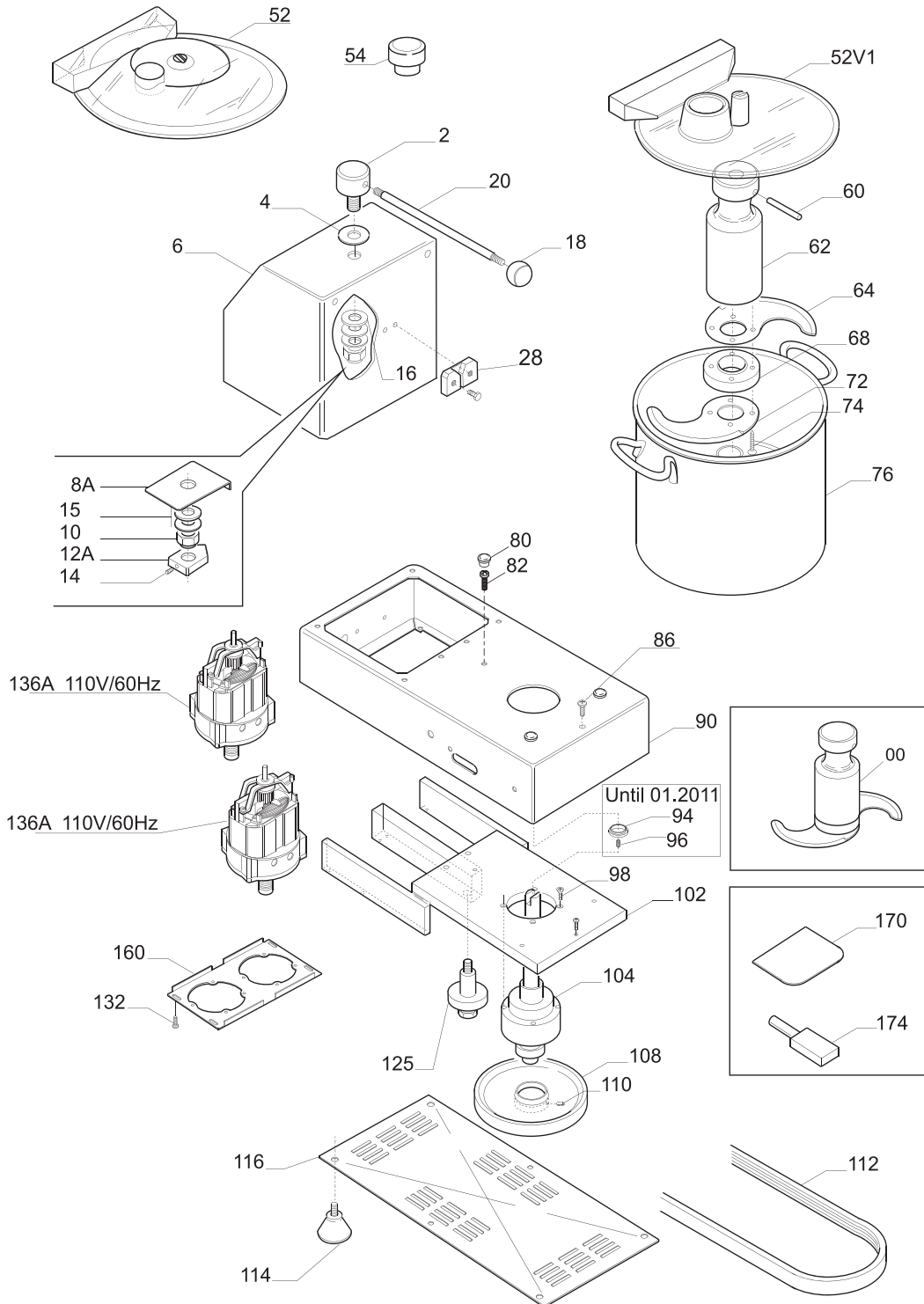


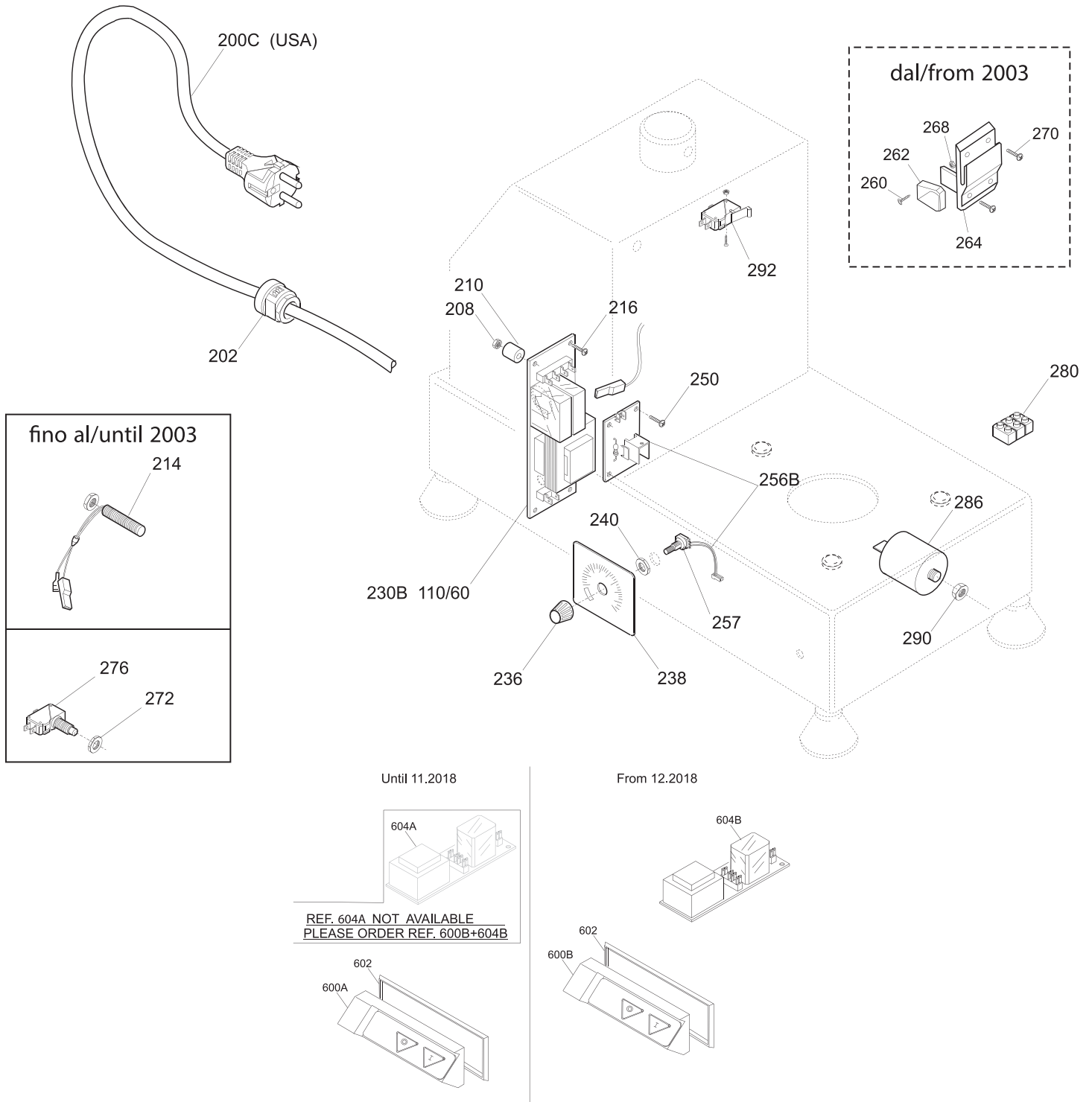
Parts Breakdown

Model FP-IT-0009 10834



Parts Breakdown

Model FP-IT-0009 10834



Parts Breakdown

Model FP-IT-0009 10834

Item No.	Description	Position	Item No.	Description	Position	Item No.	Description	Position
16995	Shaft with Regular Knives for 10834	00	64403	Upper Knife for 10834	64V	64406	Motor Support for 10834	160
37186	Rod Holder Pin for 10834	02	37210	Serrated Upper Knife for 10834	64Z	60296	Bowl Scraper Red for 10834	170
37187	Clutch Washer for 10834	04	37195	Knife Spacer for 10834	68	60297	Sharpening Stone for 10834	174
37188	Frame Head for 10834	06	64405	Knife Spacer for 10834	68P	37339	Power Cord 110/60 USA for 10834	200C
37150	Clutch Base for 10834	08A	16464	Lower Knife for 10834	72	37180	Strain Relief for 10834	202
37151	Clutch Nut for 10834	10	37211	Punched Bottom Knife for 10834	72F	37202	Speed Control Knob for 10834	236
37152	Microswitch Cam for 10834	12A	37212	Lower Serrated Knife for 10834	72Z	37203	Speed Control Label for 10834	238
61573	Cup Spring 12.2x25x0.7 for 10834	15	AC007	Screw Holder for 10834	74	19360	110/60 Control Board + Variable Speed Drive for 10834	256B
37189	Arm Knob for 10834	18	26125	Bowl for 10834	76	AB998	Screw TC + DIN 7985 M3x16 for 10834	260
37190	Arm for 10834	20	19350	Gum for 10834 until 1999	80	19352	Mechanical Microswitch for 10834	262
AC005	Steering Wheel Spacer for 10834	27	AC004	Screw TC + DIN 7985 M5x12 for 10834	82	19353	Microswitch Holder for 10834	264
37191	Bowl Guide for 10834	28	37196	Frame Body for 10834	90	AB999	Nut ES. DIN 439 M3 Lower for 10834	268
AC006	Screw TSP + DIN 965 M4x20 for 10834	30	37197	Stainless Steel Plate for 10834	102	AC000	Screw TSP + DIN 965 M3x8 for 10834	270
18967	Lid with Gasket for 10834 from OCT 03	52	17765	Aluminum Shaft for 10834	104	37205	Mechanical Microswitch for 10834	276+272
37192	Lid Plug for 10834	54	37198	Pulley Assembly for 10834	108	37176	Terminal Board for 10834	280
37193	Blade Holder Pin for 10834	60	AC008	Screw DIN 916 M8x10 NE for 10834	110	37206	Filter for 10834	286
37194	Blade Holder for 10834	62	19359	Belt for 10834	112	37178	Lever Microswitch for 10834	292
64402	Door Knife for 10834	62P	60294	Foot for 10834	114	17197	Control Panel Assembly for 10834	600A
16463	Upper Knife for 10834	64	37199	Bottom Safety Grate for 10834	116	AC009	Large Button Mounting Body Y18 for 10834	600B
37209	Punched Upper Knife for 10834	64F	37200	Small Pulley for 10834	125	37207	Switch Gasket for 10834	602
64404	Dough Upper Knife for 10834	64P	16494	Motor 110/60 for 10834	136A	AC010	Circuit Board 110/60 Y18 for 10834	604B