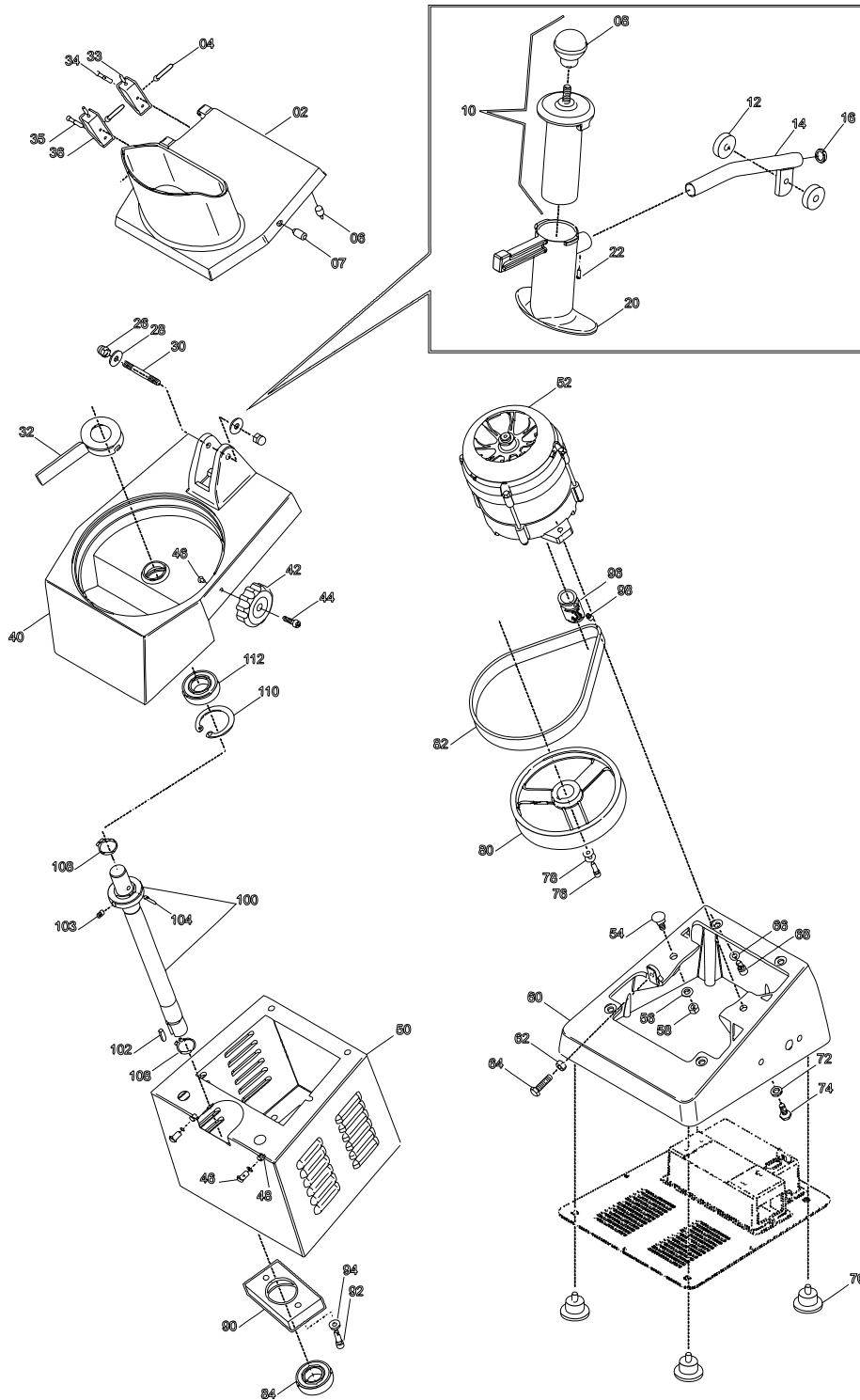


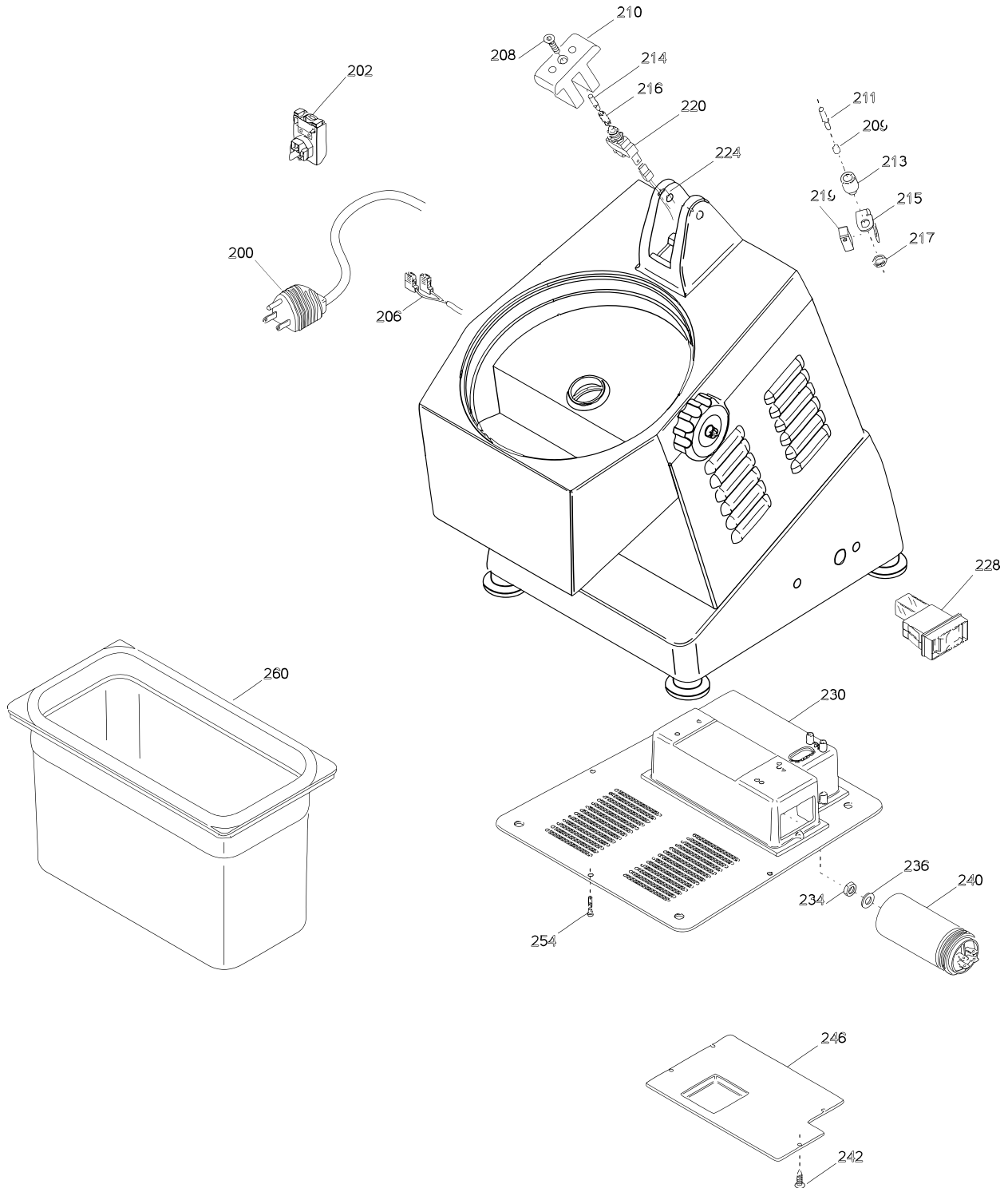
Parts Breakdown

Model FP-IT-0300 10927



Parts Breakdown

Model FP-IT-0300 10927



Parts Breakdown

Model FP-IT-0300 10927

Item No.	Description	Position	Item No.	Description	Position	Item No.	Description	Position
16491	Aluminum Lid for 10927	2	19260	Closing Knob for 10927	42	19258	Retaining C-Clip Ext.Seeger D20 for 10927	108
37314	Pin 5x30 for 10927	4	37325	Stainless Steel Prong Shoulder Screw for 10927	46	19257	Retaining C-Clip Seeger D42 for 10927	110
16490	Magnet 6x12 for 10927	6	37326	Stainless Steel Cabinet with Louvers for 10927	50	37339	US Power Cord 110V for 10927	200
37315	Pin for Aluminum Lid for 10927	7	37327	Motor 110/60 UL for 10927	52	37340	Terminal Box for 10927	202
16503	Product Pusher Knob for 10927	8	37328	Screw for 10927	54	37341	Power Connection Cable for 10927	206
16493	Pusher Complete for 10927	10	37329	Base / Frame for 10927	60	16492	Microswitch Spring for 10927	209, 216
37316	Nylon Spacer for 10927	12	37348	Nut M08 for 10927	62, 234	16487	Supporto Micro 1 UL for 10927	210
37317	Stainless Steel Lever for 10927	14	37330	Washer 6x18 for 10927	66	16485	Micro Plunger-Long UL for 10927	211, 214
37318	Plug for 10927	16	16496	Foot M8 for 10927	70	37342	Cylinder X Pin Micro UL for 10927	213
16486	Pusher Housing UL for 10927	20	37331	Belt Pulley for 10927	80	37343	Square Support Micro ETL UL for 10927	215
66090	Screw T.Poelier CACC. M4x35 for Press for 10927	22	16481	Belt J 483x8 for 10927	82	24106	Microswitch UL for 10927	219, 220
37319	Acorn Nut M08 for 10927	26	19259	Bearing 6004 2RS for 10927	84, 112	37344	Microswitch Wiring for 10927	224
37320	Washer 08x24 INOX for 10927	28	37332	Bearing Block for 10927	90	16452	On/Off Switch Weber 120 V for 10927	228
24107	Stud Bolt M8 for 10927	30	37333	Washer 06x24 for 10927	94	37345	Bottom Enclosure Panel for 10927	230
16455	Ejector for 10927	32	37334	Motor Pulley for 10927	96	16498	Capacitor 35 MF for 10927	240
37321	Nylon Pivot Stop-Block for 10927	33	37335	Main Shaft Assembly D.20 for 10927	100	37346	Protection Cover for 10927	246
37322	Screw T.E. INC 4x16 for 10927	34	37336	Set Pin 6x6x20 for 10927	102	37347	Product Container 1/3 H.200 for 10927	260
37323	Screw TEI 4x10 for 10927	35	37337	Set Screw M04x05 for 10927	103			
37324	Square Hopper for 10927	40	37338	Insert for 10927	104			