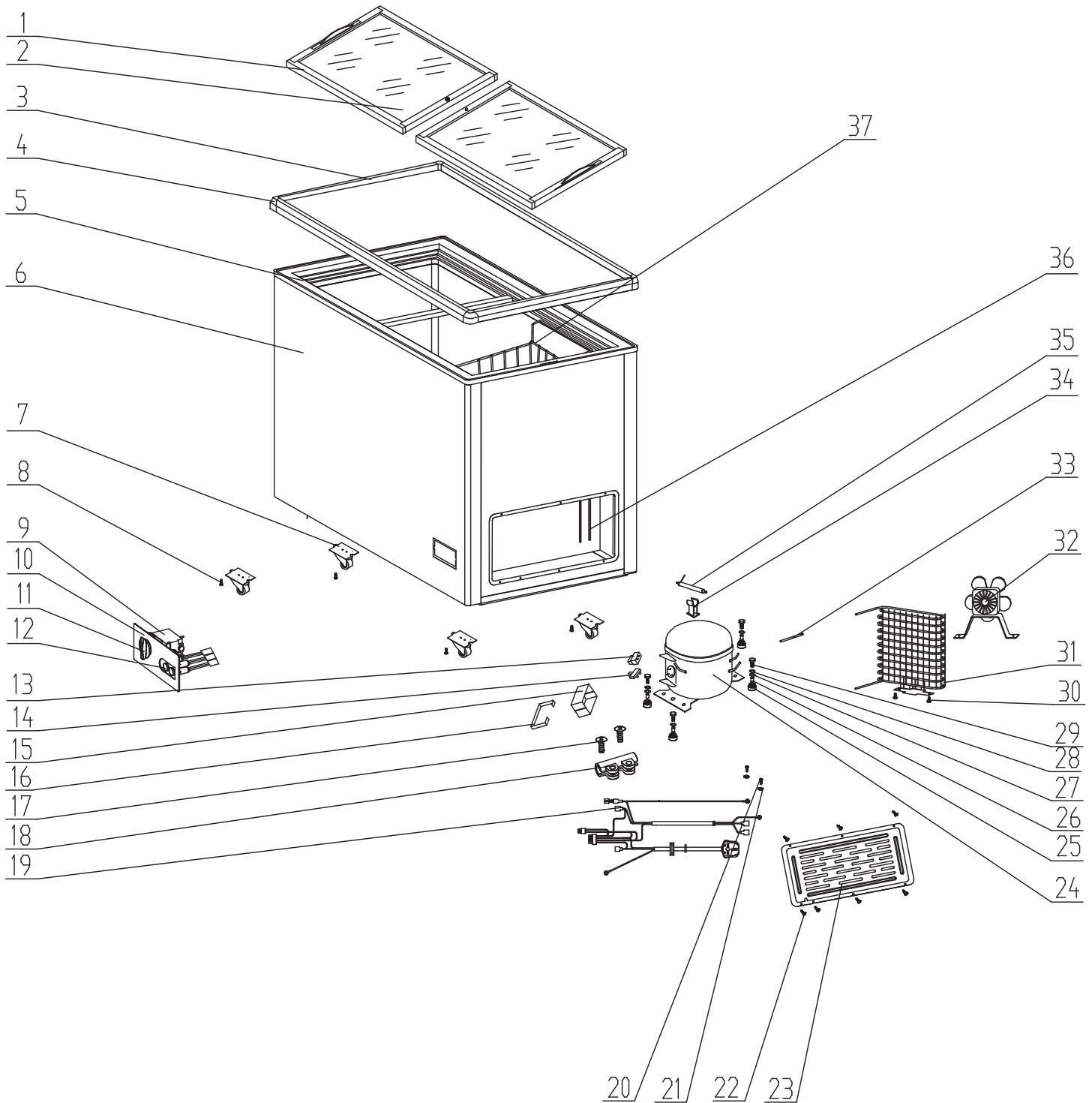


Parts Breakdown

Model **FR-CN-0500** 49295



Parts Breakdown

Model FR-CN-0500 49295

Item No.	Description	Position	Item No.	Description	Position	Item No.	Description	Position
AL216	Glass Door Frame for 49295	1	AL192	Protector for 49295	14	AL205	Washer for 49295	27
AL217	Glass Door for 49295	2	AL193	Cover for 49295	15	AL206	Spring Hooks for 49295	28
AL218	Aluminum Alloy Frame for 49295	3	AL194	Clamp for 49295	16	AL207	Bolt for 49295	29
AL219	Corner for 49295	4	AL195	Screw for 49295	17	AL208	Bolt for 49295	30
AL220	Cabinet Plastic Frame for 49295	5	AL196	Orientable Double-Hollow Wire Clamp for 49295	18	AL209	Condenser for 49295	31
AL221	Cabinet for 49295	6	AL197	Power Plug for 49295	19	AL210	Fan Motor for 49295	32
AL185	Castor for 49295	7	AL198	Copper Screw for 49295	20	AL211	Charge Pipe for 49295	33
AL186	Screw for 49295	8	AL199	Washer for 49295	21	AL212	Filter Support for 49295	34
AL187	Thermostat for 49295	9	AL200	Tapping Screw for 49295	22	AL213	Filter for 49295	35
AL188	Thermostat Control Panel for 49295	10	AL201	Shutter for 49295	23	AL214	Back Condenser for 49295	36
AL189	Thermostat Knob for 49295	11	AL202	Compressor for 49295	24	AL215	Basket for 49295	37
AL190	Indicator Lamp for 49295	12	AL203	Rubber Boot for 49295	25			
AL191	PTC Starter for 49295	13	AL204	Connecting Sleeve for 49295	26			