



Reach In Coolers and Freezers

Models RE-CN-0021-HC, 0041-HC, 0067-HC,
FR-CN-0737-HC, 1372-HC, 2057-HC
Items 50024, 50026, 50028, 50023, 50025, 50027
Instruction Manual



STOP
DO NOT RETURN
THIS PRODUCT TO THE STORE

For questions or assistance with this product call OMCAN Toll Free:
1 800 465 0234
Customer Service
or
visit the Support section of
www.omcan.com

Revised - 08/22/2019



Toll Free: 1-800-465-0234
Fax: 905-607-0234
Email: service@omcan.com
www.omcan.com



NEMA 5 - 15 125 VAC / 15 AMP RECEPTACLE	
NEMA 5 - 20 125 VAC / 20 AMP RECEPTACLE	

Table of Contents

Model RE-CN-0021-HC / Model RE-CN-0041-HC / Model RE-CN-0067-HC
Model FR-CN-0737-HC / Model FR-CN-1372-HC / Model FR-CN-2057-HC

Section	Page
General Information -----	3 - 4
Safety and Warranty -----	4 - 5
Technical Specifications -----	6 - 7
Installation -----	7 - 8
Maintenance -----	8 - 9
Troubleshooting -----	10 - 11
Controller Instructions -----	12 - 17
Parts Breakdown -----	18 - 29
Electrical Schematics -----	30 - 32
Notes -----	33 - 34
Warranty Registration -----	35



General Information

Omcan Manufacturing and Distributing Company Inc., Food Machinery of America, Inc. dba Omcan and Omcan Inc. are not responsible for any harm or injury caused due to any person's improper or negligent use of this equipment. The product shall only be operated by someone over the age of 18, of sound mind, and not under the influence of any drugs or alcohol, who has been trained in the correct operation of this machine, and is wearing authorized, proper safety clothing. Any modification to the machine voids any warranty, and may cause harm to individuals using the machine or in the vicinity of the machine while in operation.

CHECK PACKAGE UPON ARRIVAL

Upon receipt of an Omcan shipment please inspect for external damage. If no damage is evident on the external packaging, open carton to ensure all ordered items are within the box, and there is no concealed damage to the machine. If the package has suffered rough handling, bumps or damage (visible or concealed), please note it on the bill of lading before accepting the delivery and contact Omcan within 24 hours, so we may initiate a claim with the carrier. A detailed report on the extent of the damage caused to the machine must be filled out within three days, from the delivery date shown in the shipping documents. Omcan has no recourse for damaged products that were shipped collect or third party.

Before operating any equipment, always read and familiarize yourself with all operation and safety instructions.

Omcan would like to thank you for purchasing this machine. It's of the utmost importance to save these instructions for future reference. Also save the original box and packaging for shipping the equipment if servicing or returning of the machine is required.

Omcan Fabrication et distribution Compañie Limité et Food Machinery d'Amérique, dba Omcan et Omcan Inc. ne sont pas responsables de tout dommage ou blessure causé du fait que toute personne ait utilisé cet équipement de façon irrégulière. Le produit ne doit être exploité que par quelqu'un de plus de 18 ans, saine d'esprit, et pas sous l'influence d'une drogue ou d'alcool, qui a été formé pour utiliser cette machine correctement, et est vêtu de vêtements de sécurité approprié. Toute modification de la machine annule toute garantie, et peut causer un préjudice à des personnes utilisant la machine ou des personnes à proximité de la machine pendant son fonctionnement.

VÉRIFIEZ LE COLIS DÈS RÉCEPTION

Dès réception d'une expédition d'Omcan veuillez inspecter pour dommages externes. Si aucun dommage n'est visible sur l'emballage externe, ouvrez le carton afin de s'assurer que tous les éléments commandés sont dans la boîte, et il n'y a aucun dommage dissimulé à la machine. Si le colis n'a subi aucune mauvaises manipulations, de bosses ou de dommages (visible ou cachée), notez-le sur le bond de livraison avant d'accepter la livraison et contactez Omcan dans les 24 heures qui suivent, pour que nous puissions engager une réclamation auprès du transporteur. Un rapport détaillé sur l'étendue des dommages causés à la machine doit être rempli dans un délai de trois jours, à compter de la date de livraison indiquée dans les documents d'expédition. Omcan n'a aucun droit de recours pour les produits endommagés qui ont été expédiés ou cueilli par un tiers transporteur.

General Information

Avant d'utiliser n'importe quel équipement, toujours lire et vous familiariser avec toutes les opérations et les consignes de sécurité.

Omcan voudrais vous remercier d'avoir choisi cette machine. Il est primordial de conserver ces instructions pour une référence ultérieure. Également conservez la boîte originale et l'emballage pour l'expédition de l'équipement si l'entretien ou le retour de la machine est nécessaire.

Omcan Empresa De Fabricacion Y Distribucion Inc. Y Maquinaria De Alimentos De America, Inc. dba Omcan y Omcan Inc. no son responsables de ningun daño o perjuicio causado por cualquier persona inadecuada o el uso descuidado de este equipo. El producto solo podra ser operado por una persona mayor de 18 años, en su sano juicio y no bajo alguna influencia de droga o alcohol, y que este ha sido entrenado en el correcto funcionamiento de esta máquina, y ésta usando ropa apropiada y autorizada. Cualquier modificación a la máquina anula la garantía y puede causar daños a las personas usando la máquina mientras esta en el funcionamiento.

REVISE EL PAQUETE A SU LLEGADA

Tras la recepcion de un envio Omcan favor inspeccionar daños externos. Si no hay daños evidentes en el empaque exterior, Habra el carton para asegurarse que todos los articulos solicitados estén dentro de la caja y no encuentre daños ocultos en la máquina. Si el paquete ha sufrido un manejo de poco cuidado, golpes o daños (visible o oculto) por favor anote en la factura antes de aceptar la entrega y contacte Omcan dentro de las 24 horas, de modo que podamos iniciar una reclamación con la compañía. Un informe detallado sobre los daños causados a la máquina debe ser llenado en el plazo de tres días, desde la fecha de entrega que se muestra en los documentos de envío. Omcan no tiene ningun recurso por productos dañados que se enviaron a recoger por terceros.

Antes de utilizar cualquier equipo, siempre lea y familiarizarse con todas las instrucciones de funcionamiento y seguridad.

Omcan le gustaría darle las gracias por la compra de esta máquina. Es de la mayor importancia para salvar estas instrucciones para futuras consultas. Además, guarda la caja original y el embalaje para el envío del equipo si servicio técnico o devolución de la máquina que se requiere.

Safety and Warranty

Please pay close attention to the safety notices in this section. Disregarding these notices may lead to serious injury and/or damage to the unit.

ATTENTION

- To minimize shock and fire hazards, be sure not to overload outlet. Please designate one outlet for your unit.



Safety and Warranty

- Do not use extension cords.
- Do not put your hands under the unit when the units is required to be moved.
- When the unit is not in use for a long period of time, please unplug the unit from the outlet.
- After unplugging the unit, wait at least 10 minutes before re-plugging it. Failure to do so could cause damage to the compressor.

UNPLUG CORD

- To minimize shock and fire hazards, please do not plug or unplug the cord with wet hands.
- During maintenance and cleaning, please unplug the unit.

PROPER GROUNDING REQUIRED

- To minimize shock and fire hazards, make sure that the unit is properly grounded.

PROHIBITION

- Do not attempt to remove or repair any component unless instructed by factory.
- Make sure that the unit is not resting on or against the electrical cord and plug.
- To minimize personal injury, do not hang on the doors.
- Do not store any flammable and explosive gas or liquids inside the unit.
- Do not attempt to alter or tamper with the electrical cord.

2 YEARS PARTS AND LABOUR / 5 YEARS PARTS ONLY ON COMPRESSOR WARRANTY

Within the warranty period, contact Omcan Inc. at 1-800-465-0234 to schedule an Omcan authorized service technician to repair the equipment locally.

Unauthorized maintenance will void the warranty. Warranty covers electrical and part failures, not improper use.

Please see <https://omcan.com/disclaimer> for complete info.

WARNING:

The packaging components are classified as normal solid urban waste and can therefore be disposed of without difficulty.

In any case, for suitable recycling, we suggest disposing of the products separately (differentiated waste) according to the current norms.

DO NOT DISCARD ANY PACKAGING MATERIALS IN THE ENVIRONMENT!

Technical Specifications

REACH IN COOLERS

Model	RE-CN-0021	RE-CN-0041	RE-CN-0067
Temperature Range	0.5°C -5°C / 33°F - 41°F		
Max Ambient Temp Rating	32°C / 90°F		
Horsepower	1/5 HP	1/4 HP	3/4 HP
Electrical	110V / 60Hz / 1Ph		
Amps	2.6A	3.8A	9A
Refrigerant	R290		
Isolation Material	Cyclopentane		
Cooling System	Ventilated		
Number of Doors	1	2	3
Number of Shelves	3	6	9
Shelf Capacity	59.5 lbs. / 27 kgs.		61.7 lbs. / 28 kgs.
Exterior Dimensions	29" x 32.25" x 82.5" 736 x 818 x 2095mm	54" x 32.25" x 82.5" 1372 x 819 x 2096mm	81" x 32" x 82.5" 2054 x 818 x 2095mm
Interior Dimensions	24.4" x 27" x 60.2" 620 x 688 x 1530mm	49.4" x 27" x 60.2" 1255 x 686 x 1529mm	76" x 27" x 60" 1938 x 688 x 1530mm
Net Volume	650 L / 23 cu.ft.	1334 L / 47 cu.ft.	2040 L / 72 cu.ft.
Weight	282 lbs. / 128 kgs.	513 lbs. / 232.7 kgs.	616 lbs. / 280 kgs.
Item Number	50024	50026	50028



Technical Specifications

REACH IN FREEZERS

Model	FR-CN-0737	FR-CN-1372	FR-CN-2057
Temperature Range	-22°C ~ -18°C / -8°F ~ 0°F		
Max Ambient Temp Rating	90°F	100.4°F	90°F
Horsepower	1/2 HP	1 HP	1 1/4
Electrical	110V / 60Hz / 1Ph		
Amps	7.1A	10.7A	12A
Refrigerant	R290		
Isolation Material	Cyclopentane		
Cooling System	Ventilated		
Number of Doors	1	2	3
Number of Shelves	3	6	9
Shelf Capacity	59.5 lbs. / 27 kgs.		61.7 lbs. / 28 kgs.
Exterior Dimensions	29" x 32.25" x 82.5" 736 x 818 x 2095mm	54" x 32.25" x 82.5" 1372 x 819 x 2096mm	81" x 32" x 82.5" 2054 x 818 x 2095mm
Interior Dimensions	24.4" x 27" x 60.2" 620 x 688 x 1530mm	49.4" x 27" x 60.2" 1255 x 686 x 1529mm	76" x 27" x 60" 1938 x 688 x 1530mm
Net Volume	650 L / 23 cu.ft.	1334 L / 47 cu.ft.	2040 L / 72 cu.ft.
Weight	282 lbs. / 128 kgs.	496 lbs. / 225 kgs.	673 lbs. / 306 kgs.
Item Number	50023	50025	50027

Installation

IMPORTANT!!!PLEASE READ BEFORE INSTALLATION

- If the unit has recently been transported. Please let unit stand still for a minimum of 24 hours before plugging it in.
- Make sure that the unit drops down to desired temperature before loading the unit with product.
- Make sure that there is proper ventilation around the unit in the area where it will operate.
- Make sure all accessories are installed(i.e. shelves, shelf clips, casters) before plugging the unit in.
- Please read through the Operation / Owners Manual in its entirety.

CABINET LOCATION GUIDELINES

- Install the unit on strong and leveled surfaces
 - unit may make unpleasant noises if surface is uneven
 - unit may malfunction if surface is uneven

Installation

- Install the unit in an indoor, well-ventilated area
 - unit performs more efficiently in a well-ventilated area
 - for best performance, please maintain clearance of 6" on the back of the unit
 - outdoor use may cause decreased efficiency and damage to the unit
- Avoid installation in a high humidity and/or dusty area
 - humidity could cause unit to rust and decrease efficiency of the unit
 - dust collected on condenser coil will cause unit to malfunction. Clean the condenser at least once a month with a brush or clean cloth
- Select a location away from heat and moisture-generating equipment
 - high ambient temperature will cause the compressor to overwork, leading to higher energy bills and gradual breakdown of the unit.

ELECTRICAL

Please ensure that the required voltage of the compressor is being supplied at all times. Low or high voltage can detrimentally affect the refrigeration unit. All units should be plugged into a grounded and properly-sized electrical outlet with appropriate overcurrent protection. Please refer to the electrical requirement on the nameplate. Please make sure that your unit has its own dedicated outlet. Do not use an extension cord.

REVERSING THE DOORS (OPTIONAL)

Note: This only applies to the single door units.

Only perform these steps with another person present to ensure the door does not fall over.

1. Open the door.
2. Remove the screws from the top panel, then open the top panel.
3. Remove the screws of the bottom louver, then remove the louver.
4. Unscrew all of the screws from the upper hinge
5. Unscrew all of the screws from the lower hinge and remove the door and hinges.
6. Place the former upper hinge at the bottom of the unit, parallel to where the lower hinge is, do the same with the former lower hinge except for the top. Screw the hinges into place.
7. Reassemble the door so it is facing the opposite direction.
8. Reassemble the top panel and the lower louver.
9. The door is now reversed.

Maintenance

CLEANING THE CONDENSER COIL

- For efficient operation, it is important that the condenser surface be kept free of dust, dirt, and lint.
- We recommend cleaning the condenser coil and fins at least once per month.
- Clean with a commercial condenser coil cleaner, available from any kitchen equipment retailer. Brush the

Maintenance

condenser fins from top to bottom, not side to side.

- After cleaning, straighten any bent condenser fins with a fin comb.

CLEANING THE FAN BLADE AND MOTOR

- If necessary, clean the fan blades and motor with a soft cloth, If it is necessary to wash the fan blades, cover the fan motor to prevent moisture damage.

CLEANING THE INTERIOR OF UNIT

- When cleaning the cabinet interior, use a solvent of warm water and mild soap.
- Do not use steel wool, caustic soap, abrasive cleaners, or bleach that may damage the stainless steel surface.
- Wash door gaskets on a regular basis, preferably weekly. Simply remove door gasket from the frame of the door, soak in warm water and soap for thirty (30) minutes, dry with soft cloth, and replace.
- Check door gaskets for proper seal after they are replaced.
- Periodically remove the shelves and pilasters from the unit and clean them with mild soap and warm water. To remove the pilasters, first remove the shelves and shelf brackets. Then, simply lift the pilaster up and out.

WARNING

Disconnect power cord before cleaning any parts of the unit.

ICE ACCUMULATION MAY OCCUR IN FREEZERS

- Try to reduce the amount of time the freezer doors remain open to prevent ice accumulation.
- Keep door seals clean to prevent air leakage.
- Scrape off any ice accumulated or try manual defrost mode.

Troubleshooting

Before requesting any service on your unit, please check the following points. Please note that this guide serve only as a reference for solutions to common problems.

SYMPTOM	POSSIBLE CAUSE	CORRECTIVE ACTION
Compressor not running.	Fuse blown or circuit breaker tripped.	Replace fuse or reset circuit breaker.
	Power cord unplugged.	Plug in power cord.
	Thermostat set too high.	Set thermostat to lower Temperature.
	Cabinet in defrost cycle.	Wait for defrost cycle to finish.
Cabinet is noisy.	Loose part(s).	Locate and tighten loose part(s).
	Tubing vibration.	Ensure tubing is free from contact with other tubing or components.
Condensing unit runs for long periods of time.	Excessive amount of warm product Placed in cabinet.	Allow adequate time for Product to cool down.
	Prolonged door opening or door ajar.	Ensure doors are closed when not in use. Avoid opening doors for long periods of time.
	Door gasket(s) not sealing properly.	Ensure gaskets are snapped in Completely. Remove gasket and Wash with soap and water. Check condition of gasket and Replace if necessary.
	Dirty condenser coil.	Clean the condenser coil.
	Evaporator coil iced over.	Unplug unit and allow coil to defrost. Make sure thermostat is not set too cold. Ensure that door gasket(s) are sealing properly.

Troubleshooting

Cabinet Temperature Is too warm.	Thermostat set too warm.	Set thermostat to lower Temperature.
	Blocking air flow.	Re-arrange product to allow for Proper air flow. Make sure there Is at least four inches of clearance from evaporator.
	Excessive amount of warm product Placed in cabinet.	Allow adequate time for product to cool down.
	Fuse blown or circuit breaker tripped.	Replace fuse or reset circuit breaker.
	Dirty condenser coil.	Clean the condenser coil.
	Prolonged door opening or door ajar.	Ensure doors are closed when not in use. Avoid opening doors for long periods of time.
	Evaporator coil iced over.	Unplug unit and allow coil to defrost. Make sure thermostat is not set too cold. Ensure that door gasket(s) are sealing properly.

Controller Instructions

Digital controller model: PJEZ for cooler



Dimensioni (mm) / Dimensions (mm)

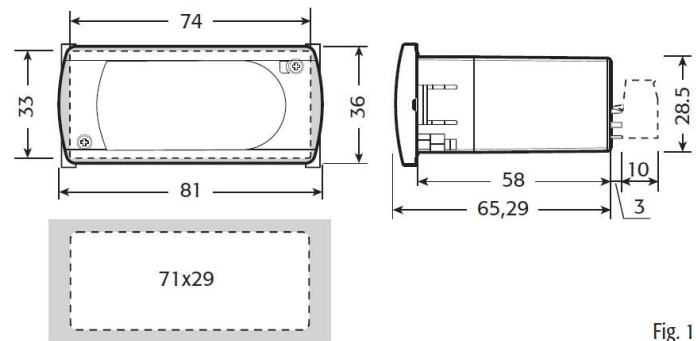








Fig. 1

Display and functions


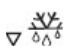

During normal operation, the controller displays the value of the probe set using parameter/4(=1 ambient probe, default, = 2 second probe, = 3 third probe). In addition, the display has LEDs that indicate the activation of the control functions (see Table 1), while the 3 buttons can be used to activate/deactivate some of the functions(see Table 2).

LED's and Associated Functions (Table 1)

Icon	Function	Normal Operation			Start Up
		ON	OFF	Blink	
	Compressor	On	Off	Request	ON
	Fan	On	Off	Request	ON
	Defrost	On	Off	Request	ON
	Aux	Output On	Output Off	-	ON
	Alarm	All	No Alarm	-	ON
	Clock	RTC fitted and enabled, at least 1 time band set	RTC not fitted or disabled, not even 1 time band set	-	ON if RTC fitted

Controller Instructions

Table of Functions activated by the buttons - Models S, X, Y, C (Table 2)

Button		Normal Operation		Start Up	
		Pressing the Button Alone	Pressed Together		
	Up ON/OFF	More than 3 sec: toggle ON/OFF	Start/Stop continuous cycle	-	
	Down Defrost	More than 3 sec: start/stop defrost			
	Set Mute	- 1 sec.: display/set the set point. - more than 3 secs.: access parameter setting menu (enter password) - mute audible alarm (buzzer)	-	Pressed together Start parameter reset procedure	For 1 sec. display firmware vers. code
					For 1 sec. RESET current EZY set

Setting the set point (desired temperature)

- Press **SET** for 1 sec, the set value will start flashing after a few moments.
- Increase or decrease the value using **UP** or **DOWN**.
- Press **SET** to confirm the new value.

Switching the device ON/OFF

Press **UP** for more than 3 sec. The control and defrost algorithms are now disabled and the Instrument displays the message “OFF” alternating with the temperature read by the set probe

Manual defrost

Press for **DOWN** more than 3 sec (the defrost starts only the temperature conditions are valid).

Continuous cycle

Press **UP** and **DOWN** together for more than 3 sec.

Access and setting type F (frequent) and type C (configuration) parameters

1. Press **SET** for 3 sec (the display will show “PS”).
2. • To access the type F and C parameter menu, enter the password “22” using **UP/DOWN**, press **SET** to confirm.
• To access the F parameter menu only, press **SET** (without entering the password).
3. Scroll inside the parameter menu using **UP/DOWN**.

Controller Instructions

- To display/set the values of the parameter displayed, press **SET**, then **UP/DOWN** and finally **SET** to confirm the changes (returning to the parameter menu).

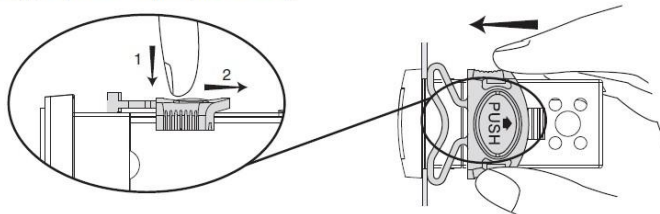
To save all the new values and exit the parameter menu, press **SET** for 3 s.

To exit the menu without saving the changed values (exit by timeout) do not press any button for at least 60 s.

Digital controller model: IR33 for freezer

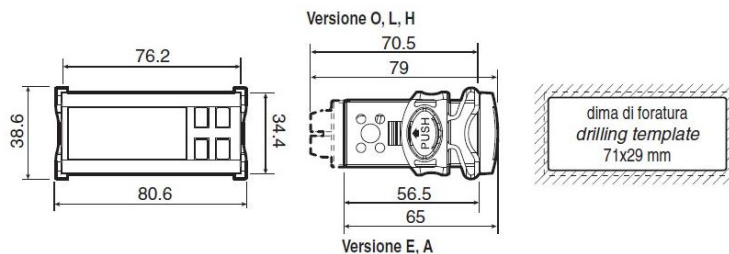


Montaggio a pannello ir33/ir33 panel mounting:



Montaggio a pannello mediante due staffe plastiche a scorrimento laterale
Panel mounting by two lateral sliding plastic brackets

Dimensioni (mm) /Dimensions (mm)






Signals on the display

The blinking status indicates a request for activation that cannot be implemented until the end of the Corresponding delay times.



Icon	Function	ON	OFF	Blink	Startup
	Compressor	Compressor on	Compressor off	Request	
	Fan	Fan on	Fan off	Request	
	Defrost	Defrost in progress	Defrost not required	Request	
AUX	Aux	Auxiliary Output AUX active	Auxiliary Output AUX not active	Anti-sweat heater function active	
	Alarm	Delayed external alarm (before the expiry of the time 'A7')	No alarm present	Alarms in normal operation (eg. high/low temp.) or alarm from ext. digital input immediate or delayed	
	Clock	At least one timed defrost has been set	No timed defrost is present	Clock alarm	On if Real-Time Clock present

Controller Instructions

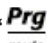

	Light	Auxiliary output light active	Auxiliary output light not active	Anti-sweat heater function active	
	Service		No malfunction	Malfunction (eg. EEPROM error or probe fault)	
HACCP	HACCP	HACCP function	HACCP function enabled	HACCP alarm (HA and/or HF) not enabled	
	Continuous Cycle	Enabled	Not enabled	Request	

Setting the set point (desired temperature value)

To display or set the set point, proceed as follow:

1. Press the “Set” button for more than 1 second to display the set point.
2. Increase or decrease the value of the set point, using the “ *aux*” and “ *def*” respectively, until reaching the desired value.
3. Press the “Set” button again to confirm the new value.



Alarms with manual reset

The alarms with manual reset can be reset by pressing the “ *mute*” and “ *aux*” for more than 5 sec.



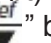
Manual defrost

As well as the automatic defrost function, a manual defrost can be enabled, if the temperature conditions allow, by pressing the “ *def*” button for more than 5 sec.

Continuous cycle

Pressing the buttons “ *aux*” and “ *def*” simultaneously for more than 5 seconds enables the continuous cycle function. During operation in continuous cycle, the compressor continues to operate for the time “cc” and it stops when it reaches the “cc” time out or the minimum temperature has been reached (AL = minimum temperature alarm threshold). Continuous cycle setting: “cc” parameter (continuous cycle duration): “cc”=0 never active; “c6” parameter (by passing the alarm after the continuous cycle): “cc” = 0 never active; it avoid or delays the low temperature alarm after the continuous cycle.

Accessing the configuration parameter (type C)

1. Pressing the “ *mute*” and “Set” buttons at the same time for more than 5 sec, the display will show “00”(password prompt).
2. Use the “ *aux*” or “ *def*” buttons to display the number “22” (parameter access password).
3. Confirm by pressing “Set”.
4. The display will show the first modifiable “C” parameter.

Controller Instructions

Accessing the configuration parameter (type F)

1. Hold the "**Prg**
mute" button for more than 5 s (if there are active alarms, first mute the buzzer), the display will show the first modifiable "F" parameter.

Modifying the parameters

After having displayed the parameter, either type "C" or type "F", proceed as follows:

1. Use the "**▲**
aux" or "**▼**
def" buttons to scroll the parameters, until reaching the parameter to be modified; when scrolling the parameters, an icon is shown on the display that represents the category of the parameter.
2. Alternatively, press the "**Prg**
mute" button to display a menu that can be used to quickly access the family of parameters to be modified.
3. Scrolling the menu using the "**▲**
aux" and "**▼**
def" buttons displays the codes of the various categories of parameter, accompanied by the corresponding icon on the display(if present).
4. Once having reached the desired category, press "**Set**" to go directly to the first parameter in the chosen category(if no parameter is visible, pressing the "**Set**" button will have no effect).
5. At this stage, modify the parameters or return to the "Category" menu, using the "**Prg**
mute" button.
6. Press "**Set**" to display the value associated with the parameter.
7. Increase or decrease the value using the "**▲**
aux" or "**▼**
def" buttons respectively.
8. Press "**Set**" to temporarily save the new value and return to the display of the parameter.
9. Repeat the operation from point 1 or point 2.
10. If the parameter has sub-parameters, press "**Set**" to display the first sub-parameter.
11. Press the "**▲**
aux" or "**▼**
def" button to display all the sub-parameters.
12. Press "**Set**" to display the associated value.
13. Increase or decrease the value using the "**▲**
aux" or "**▼**
def" button respectively.
14. Press "**Set**" to temporarily save the new value and return to the display of the sub-parameter code.
15. Press "**Prg**
mute" to return to the display of the parent parameter.

Saving the new values assigned to the parameters

To definitely save the new values of the modified parameters, press the "**Prg**
mute" button for more than 5 seconds, thus exiting the parameter setting procedure. All the modification made to the parameters temporarily saved in the RAM, can be cancelled and "normal operation" resumed by not pressing any button for 60 seconds, thus allowing the parameter setting session to expire due to timeout if the Instrument is switched off before pressing the "**Prg**
mute" button, all the modifications made to the parameters and temporarily saved will be lost.



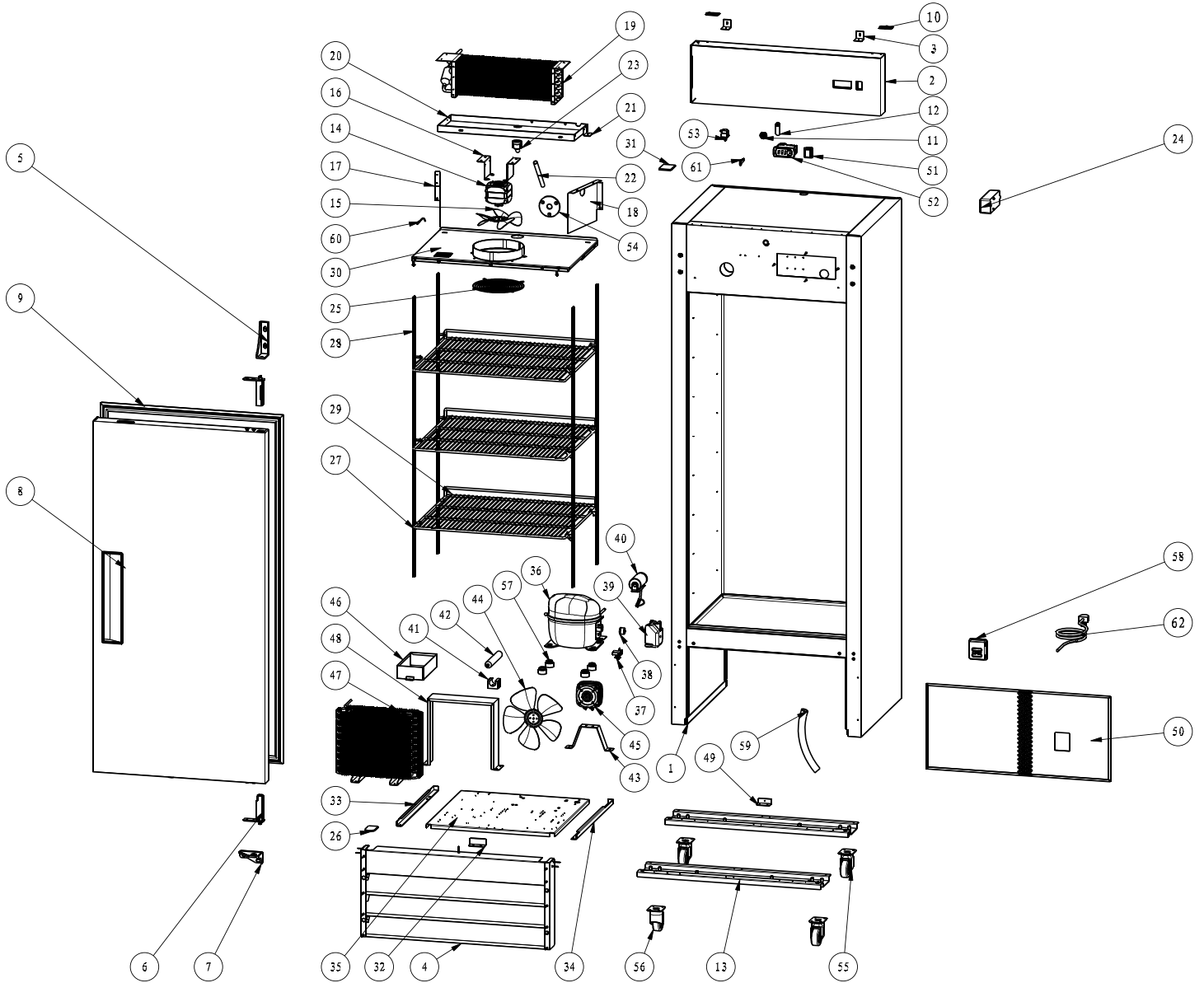
Controller Instructions

REFERENCE

Item Number	Model Number	Description	Manufacturer Model Number
50024	RE-CN-0021-HC	Refrigerator 1 Door Stainless Steel 23 cu.ft. 110V/60/1 cETLus / ETL Sanitation	CFD-1RR-HC
50026	RE-CN-0041-HC	Refrigerator 2 Door Stainless Steel 47 cu.ft. 110V/60/1 cETLus / ETL Sanitation	CFD-2RR-HC
50028	RE-CN-0067-HC	Refrigerator 3 Door Stainless Steel 66.5 cu.ft. 110V/60/1 cETLus / ETL Sanitation	CFD-3RR-HC
50023	FR-CN-0737-HC	Freezer Stainless Steel Single Door 29" / 737mm 110V/60/1 cETLus / ETL Sanitation	CFD-1FF-HC
50025	FR-CN-1372-HC	Freezer Stainless Steel Dual Door 54" / 1372mm 110V/60/1 cETLus / ETL Sanitation	CFD-2FF-HC
50027	FR-CN-2057-HC	Freezer Stainless Steel Triple Door 81" / 2057mm 110V/60/1 cETLus / ETL Sanitation	CFD-3FF-HC

Parts Breakdown

Model RE-CN-0021-HC 50024



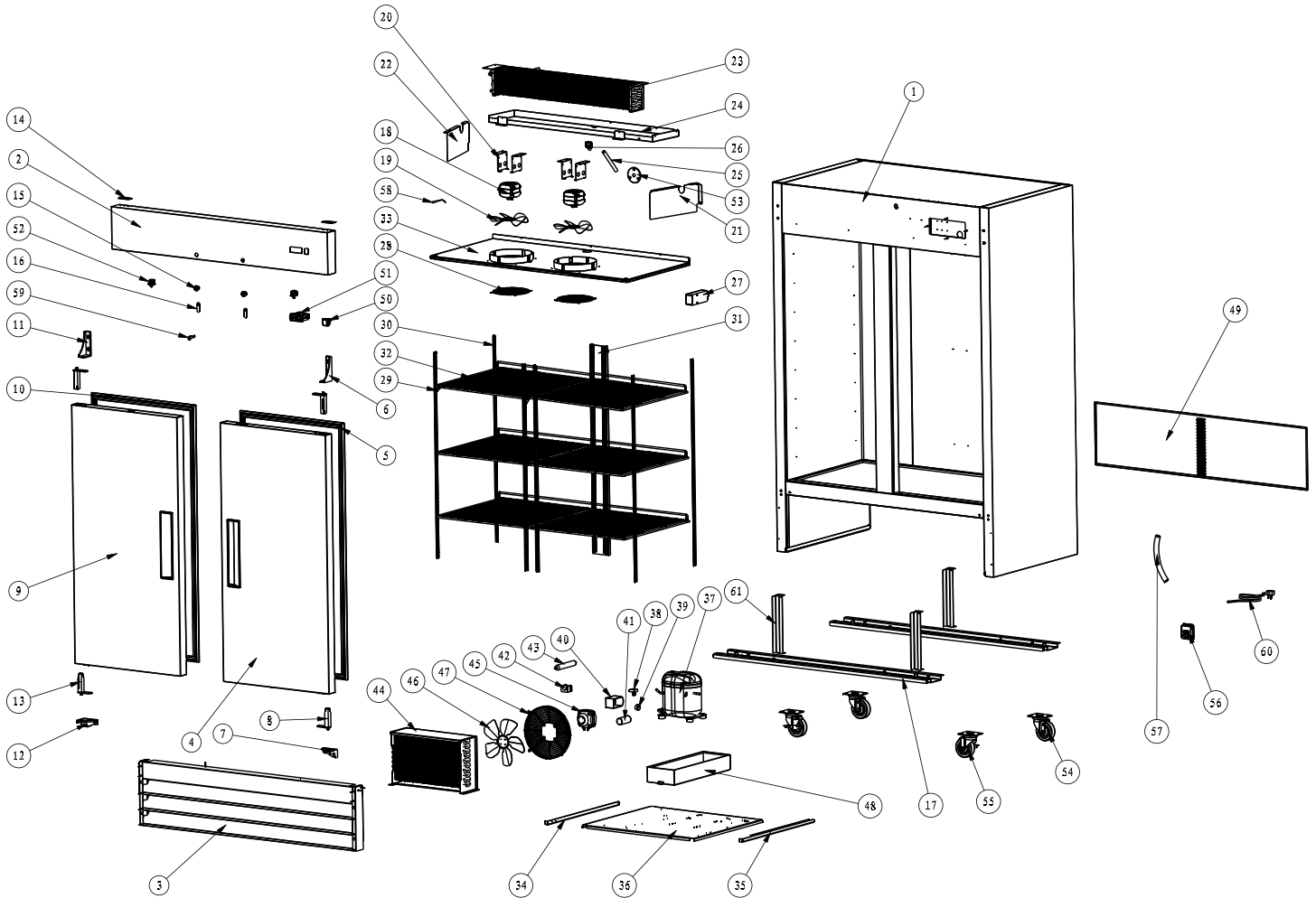
Parts Breakdown

Model RE-CN-0021-HC 50024

Item No.	Description	Position	Item No.	Description	Position	Item No.	Description	Position
AA950	Cabinet for CFD-1RR-HC	1	AA968	Inner Drain Pan Fixer for CFD-1RR-HC	21	AA764	Blade of Condenser Fan Motor for CFD-1RR-HC	44
AA951	Control Panel for CFD-1RR-HC	2	AA969	Drain Hose for CFD-1RR-HC	22	AA984	Condenser Fan Motor for CFD-1RR-HC	45
AA952	Control Panel Fixer for CFD-1RR-HC	3	69703	Elbow Pipe for CFD-1RR-HC	23	AA985	Outer Drain Pan for CFD-1RR-HC	46
AA953	Front Grill for CFD-1RR-HC	4	AA970	Light Components for CFD-1RR-HC	24	AA986	Condenser for CFD-1RR-HC	47
AA954	Upper Right Hinge for CFD-1RR-HC	5	AA971	Evaporator Fan Motor Cover for CFD-1RR-HC	25	AA987	Air Guide Sheet for CFD-1RR-HC	48
AA955	Spring Hinge Board for CFD-1RR-HC	6	AA972	Bottom Cover for Reversible Door for CFD-1RR-HC	26	AA988	Back Grill Fixer for CFD-1RR-HC	49
AA956	Bottom Right Hinge for CFD-1RR-HC	7	AA973	K Clip for CFD-1RR-HC	27	AA989	Back Grill for CFD-1RR-HC	50
AA957	Door for CFD-1RR-HC	8	AA974	K Strip for CFD-1RR-HC	28	AA124	Power Switch for CFD-1RR-HC	51
AA958	Gasket for CFD-1RR-HC	9	AA975	Shelf for CFD-1RR-HC	29	AA990	Thermostat for CFD-1RR-HC	52
AA959	Hinge for CFD-1RR-HC	10	AA976	Evaporator Cover for CFD-1RR-HC	30	AA844	Door Switch for CFD-1RR-HC	53
AA197	Lock for CFD-1RR-HC	11	AA977	Top Cover for Reversible Door for CFD-1RR-HC	31	AA991	Drain Plug for CFD-1RR-HC	54
AA960	Lock Bolt for CFD-1RR-HC	12	AA978	Limited Block of Installation Board for CFD-1RR-HC	32	AA743	4" Castor for CFD-1RR-HC	55
AA961	Leg Supporter for CFD-1RR-HC	13	AA979	Left Track for Assembling Panel for CFD-1RR-HC	33	AA584	4" Castor with Brake for CFD-1RR-HC	56
AA607	Evaporator Fan Motor for CFD-1RR-HC	14	AA980	Right Track for Assembling Panel for CFD-1RR-HC	34	AA992	Compressor Fastener for CFD-1RR-HC	57
AA962	Blade of Evaporator Fan Motor for CFD-1RR-HC	15	AA981	Compressor Unit Installation Board for CFD-1RR-HC	35	AA993	Power Plug Fitting Base for CFD-1RR-HC	58
AA963	Evaporator Fan Motor Holder for CFD-1RR-HC	16	64167	Compressor for CFD-1RR-HC	36	AA216	Drain Hose for CFD-1RR-HC	59
AA964	Right Air Guide Sheet for CFD-1RR-HC	17	AA982	Starter Kit for CFD-1RR-HC	37 - 40	AA121	Temperature Sensor of Cabinet Inside for CFD-1RR-HC	60
AA965	Left Air Guide Sheet for CFD-1RR-HC	18	AA129	Filter Fixer for CFD-1RR-HC	41	AA994	Key for CFD-1RR-HC	61
AA966	Evaporator for CFD-1RR-HC	19	AA130	Filter for CFD-1RR-HC	42	AA135	Power Cord for CFD-1RR-HC	62
AA967	Inner Drain Pan for CFD-1RR-HC	20	AA983	Condenser Fan Motor Holder for CFD-1RR-HC	43			

Parts Breakdown

Model RE-CN-0041-HC 50026



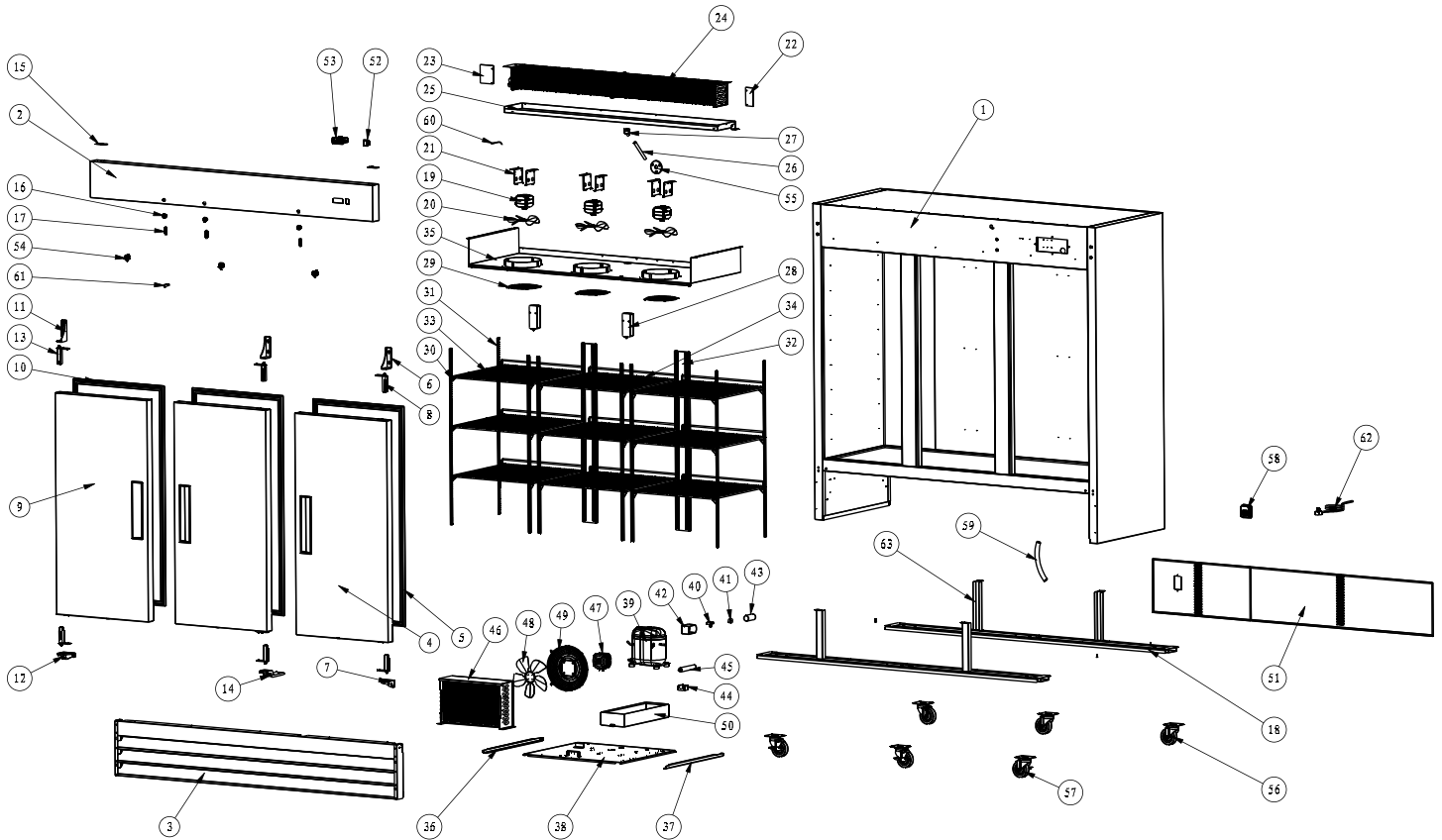
Parts Breakdown

Model RE-CN-0041-HC 50026

Item No.	Description	Position	Item No.	Description	Position	Item No.	Description	Position
AB025	Cabinet for CFD-2RR-HC	1	AB037	Right Air Guide Sheet for CFD-2RR-HC	21	AB017	Condenser for CFD-2RR-HC	44
AB026	Control Panel for CFD-2RR-HC	2	AB038	Left Air Guide Sheet for CFD-2RR-HC	22	AB049	Condenser Fan Motor for CFD-2RR-HC	45
AB027	Front Grill for CFD-2RR-HC	3	AB039	Evaporator for CFD-2RR-HC	23	AA764	Blade of Condenser Fan Motor for CFD-2RR-HC	46
AB028	Right Door for CFD-2RR-HC	4	AB040	Inner Drain Pan for CFD-2RR-HC	24	AA249	Condenser Fan Cover for CFD-2RR-HC	47
AB029	Gasket for CFD-2RR-HC	5	AA969	Drain Hose for CFD-2RR-HC	25	AB050	Outer Drain Pan for CFD-2RR-HC	48
AA954	Upper Right Hinge for CFD-2RR-HC	6	69703	Elbow Pipe for CFD-2RR-HC	26	AB051	Back Grill for CFD-2RR-HC	49
AA956	Bottom Right Hinge for CFD-2RR-HC	7	AA970	Light Components for CFD-2RR-HC	27	AA124	Power Switch for CFD-2RR-HC	50
AA955	Spring Hinge Board for CFD-2RR-HC	8	AA971	Evaporator Fan Motor Cover for CFD-2RR-HC	28	AB052	Thermostat for CFD-2RR-HC	51
AB030	Left Door for CFD-2RR-HC	9	AB041	K Clip for CFD-2RR-HC	29	AA844	Door Switch for CFD-2RR-HC	52
AB031	Gasket for CFD-2RR-HC	10	AB042	K Strip for CFD-2RR-HC	30	AB053	Drain Plug for CFD-2RR-HC	53
AB032	Upper Left Hinge for CFD-2RR-HC	11	AB043	Back Brackets for CFD-2RR-HC	31	AA743	4" Castor for CFD-2RR-HC	54
AB033	Left Bottom Hinge for CFD-2RR-HC	12	AA975	Shelf for CFD-2RR-HC	32	AA584	4" Castor with Brake for CFD-2RR-HC	55
AA955	Spring Hinge Board for CFD-2RR-HC	13	AB044	Evaporator Cover for CFD-2RR-HC	33	AA993	Power Plug Fitting Base for CFD-2RR-HC	56
AA959	Hinge for CFD-2RR-HC	14	AB045	Left Track for Assembling Panel for CFD-2RR-HC	34	AA216	Drain Hose for CFD-2RR-HC	57
AA197	Lock for CFD-2RR-HC	15	AB046	Right Track for Assembling Panel for CFD-2RR-HC	35	AA121	Temperature Sensor of Cabinet Inside for CFD-2RR-HC	58
AB034	Lock Bolt for CFD-2RR-HC	16	AB047	Compressor Unit Installation Board for CFD-2RR-HC	36	AB054	Key for CFD-2RR-HC	59
AB035	Leg Supporter for CFD-2RR-HC	17	64168	Compressor for CFD-2RR-HC	37	AA805	Power Cord for CFD-2RR-HC	60
AA607	Evaporator Fan Motor for CFD-2RR-HC	18	AB048	Starter Kit for CFD-2RR-HC	38 - 41	AB055	Cabinet Supporter for CFD-2RR-HC	61
AA962	Blade of Evaporator Fan Motor for CFD-2RR-HC	19	AA129	Filter Fixer for CFD-2RR-HC	42			
AB036	Evaporator Fan Motor Holder for CFD-2RR-HC	20	AA130	Filter for CFD-2RR-HC	43			

Parts Breakdown

Model RE-CN-0067-HC 50028



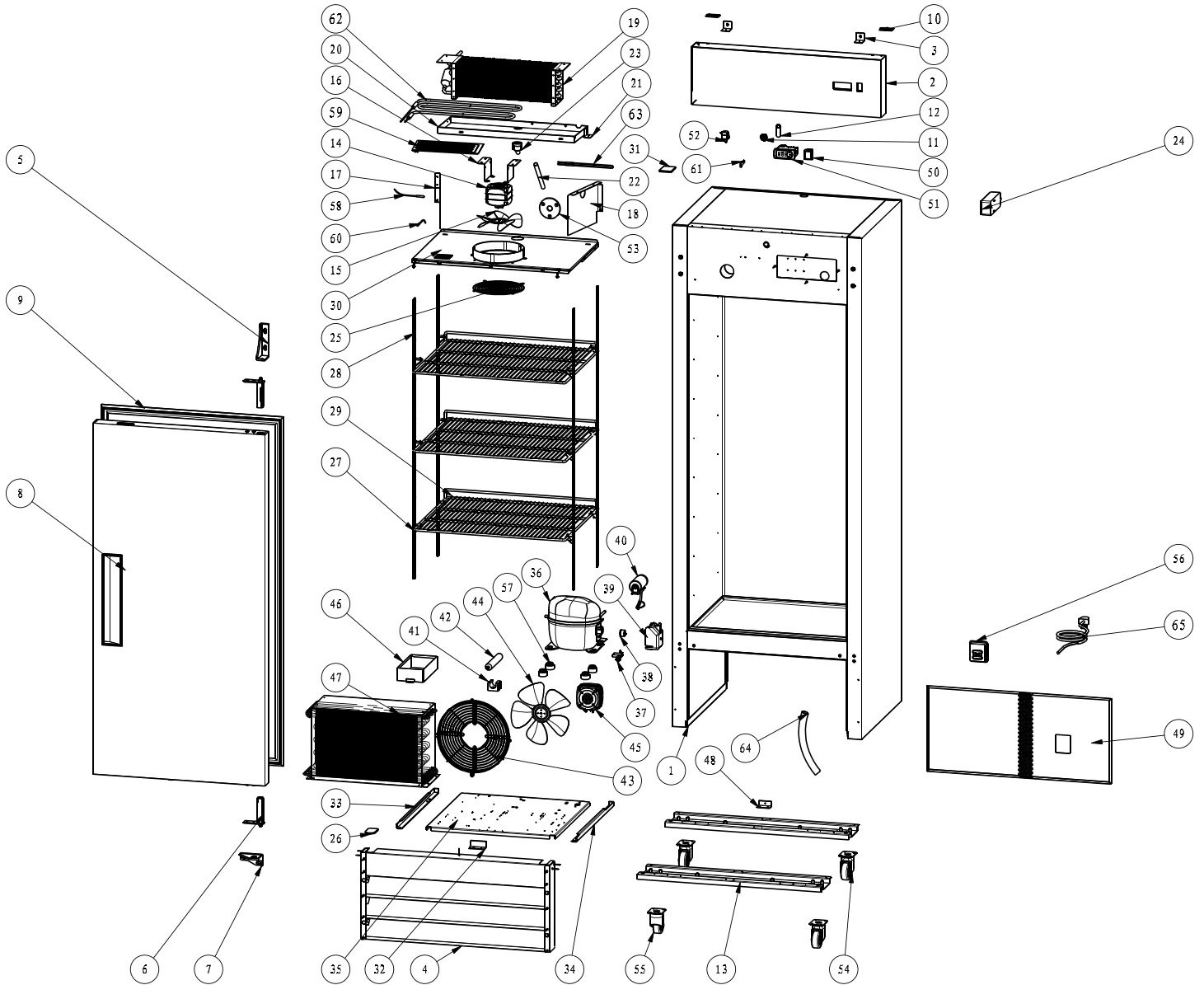
Parts Breakdown

Model RE-CN-0067-HC 50028

Item No.	Description	Position	Item No.	Description	Position	Item No.	Description	Position
AB085	Cabinet for CFD-3RR-HC	1	AB095	Left Air Guide Sheet for CFD-3RR-HC	23	AB076	Condenser for CFD-3RR-HC	46
AB086	Control Panel for CFD-3RR-HC	2	AB096	Evaporator for CFD-3RR-HC	24	AB049	Condenser Fan Motor for CFD-3RR-HC	47
AB087	Front Grill for CFD-3RR-HC	3	AB097	Inner Drain Pan for CFD-3RR-HC	25	AA814	Blade of Condenser Fan Motor for CFD-3RR-HC	48
AB088	Right Door for CFD-3RR-HC	4	AA969	Drain Hose for CFD-3RR-HC	26	AB077	Condenser Fan Cover for CFD-3RR-HC	49
AB029	Gasket for CFD-3RR-HC	5, 10	69703	Elbow Pipe for CFD-3RR-HC	27	AB107	Outer Drain Pan for CFD-3RR-HC	50
AA954	Upper Right Hinge for CFD-3RR-HC	6	AA970	Light Components for CFD-3RR-HC	28	AB108	Back Grill for CFD-3RR-HC	51
AA956	Bottom Right Hinge for CFD-3RR-HC	7	AA971	Evaporator Fan Motor Cover for CFD-3RR-HC	29	AA124	Power Switch for CFD-3RR-HC	52
AA955	Spring Hinge Board for CFD-3RR-HC	8, 13	AB098	K Clip for CFD-3RR-HC	30	AB109	Thermostat for CFD-3RR-HC	53
AB089	Left Door for CFD-3RR-HC	9	AB099	K Strip for CFD-3RR-HC	31	AA844	Door Switch for CFD-3RR-HC	54
AB032	Upper Left Hinge for CFD-3RR-HC	11	AB100	Back Brackets for CFD-3RR-HC	32	AB110	Drain Plug for CFD-3RR-HC	55
AB033	Left Bottom Hinge for CFD-3RR-HC	12	AA975	Shelf for CFD-3RR-HC	33	AA743	4" Castor for CFD-3RR-HC	56
AB090	Middle Bottom Hinge for CFD-3RR-HC	14	AB101	Middle Shelf for CFD-3RR-HC	34	AA584	4" Castor with Brake for CFD-3RR-HC	57
AA959	Hinge for CFD-3RR-HC	15	AB102	Evaporator Cover for CFD-3RR-HC	35	AA993	Power Plug Fitting Base for CFD-3RR-HC	58
AA197	Lock for CFD-3RR-HC	16	AB103	Left Track for Assembling Panel for CFD-3RR-HC	36	AA216	Drain Hose for CFD-3RR-HC	59
AB091	Lock Bolt for CFD-3RR-HC	17	AB104	Right Track for Assembling Panel for CFD-3RR-HC	37	AA121	Temperature Sensor of Cabinet Inside for CFD-3RR-HC	60
AB092	Leg Supporter for CFD-3RR-HC	18	AB105	Compressor Unit Installation Board for CFD-3RR-HC	38	AB111	Key for CFD-3RR-HC	61
AA607	Evaporator Fan Motor for CFD-3RR-HC	19	64170	Compressor for CFD-3RR-HC	39	AA805	Power Cord for CFD-3RR-HC	62
AA962	Blade of Evaporator Fan Motor for CFD-3RR-HC	20	AB106	Starter Kit for CFD-3RR-HC	40 - 43	AB112	Cabinet Supporter for CFD-3RR-HC	63
AB093	Evaporator Fan Motor Holder for CFD-3RR-HC	21	AA129	Filter Fixer for CFD-3RR-HC	44			
AB094	Right Air Guide Sheet for CFD-3RR-HC	22	AA130	Filter for CFD-3RR-HC	45			

Parts Breakdown

Model FR-CN-0737-HC 50023



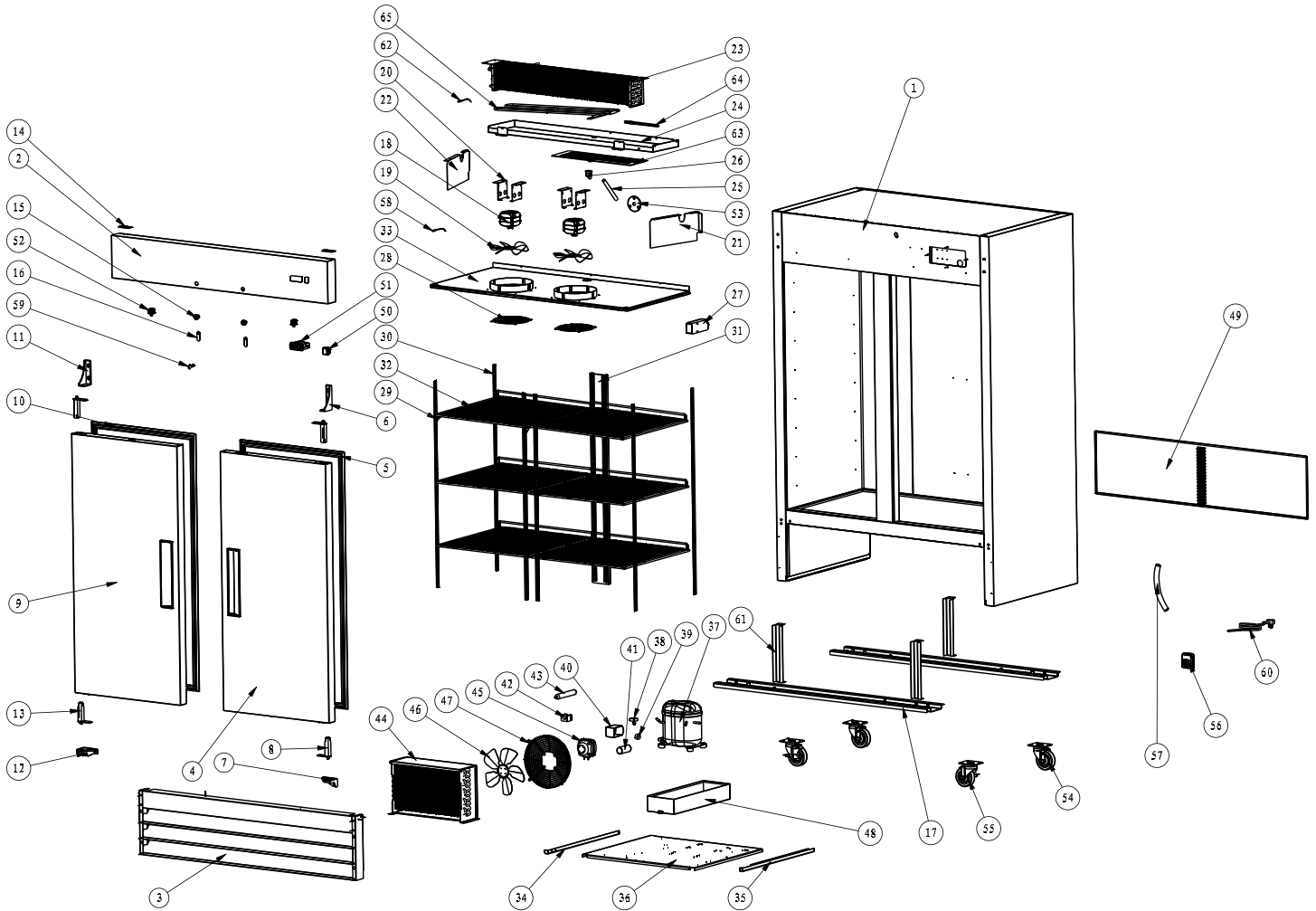
Parts Breakdown

Model FR-CN-0737-HC 50023

Item No.	Description	Position	Item No.	Description	Position	Item No.	Description	Position
AA995	Cabinet for CFD-1FF-HC	1	AA969	Drain Hose for CFD-1FF-HC	22	AB016	Outer Drain Pan for CFD-1FF-HC	46
AA996	Control Panel for CFD-1FF-HC	2	69703	Elbow Pipe for CFD-1FF-HC	23	AB017	Condenser for CFD-1FF-HC	47
AA997	Control Panel Fixer for CFD-1FF-HC	3	AA970	Light Components for CFD-1FF-HC	24	AB018	Back Grill Fixer for CFD-1FF-HC	48
AA998	Front Grill for CFD-1FF-HC	4	AA971	Evaporator Fan Motor Cover for CFD-1FF-HC	25	AB019	Back Grill for CFD-1FF-HC	49
AA954	Upper Right Hinge for CFD-1FF-HC	5	AA972	Bottom Cover for Reversible Door for CFD-1FF-HC	26	AA124	Power Switch for CFD-1FF-HC	50
AA955	Spring Hinge Board for CFD-1FF-HC	6	AB008	K Clip for CFD-1FF-HC	27	AB020	Thermostat for CFD-1FF-HC	51
AA956	Bottom Right Hinge for CFD-1FF-HC	7	AB009	K Strip for CFD-1FF-HC	28	AA844	Door Switch for CFD-1FF-HC	52
AA999	Door for CFD-1FF-HC	8	AA975	Shelf for CFD-1FF-HC	29	AB021	Drain Plug for CFD-1FF-HC	53
AA958	Gasket for CFD-1FF-HC	9	AB010	Evaporator Cover for CFD-1FF-HC	30	AA743	4" Castor for CFD-1FF-HC	54
AA959	Hinge for CFD-1FF-HC	10	AA977	Top Cover for Reversible Door for CFD-1FF-HC	31	AA584	4" Castor with Brake for CFD-1FF-HC	55
AA197	Lock for CFD-1FF-HC	11	AB011	Limited Block of Installation Board for CFD-1FF-HC	32	AA993	Power Plug Fitting Base for CFD-1FF-HC	56
AB000	Lock Bolt for CFD-1FF-HC	12	AB012	Left Track for Assembling Panel for CFD-1FF-HC	33	AB022	Compressor Fastener for CFD-1FF-HC	57
AB001	Leg Supporter for CFD-1FF-HC	13	AB013	Right Track for Assembling Panel for CFD-1FF-HC	34	AA121	Temperature Sensor of Cabinet Inside for CFD-1FF-HC	58
AA607	Evaporator Fan Motor for CFD-1FF-HC	14	AB014	Compressor Unit Installation Board for CFD-1FF-HC	35	AA864	Drain Pan Heater for CFD-1FF-HC	59
AA962	Blade of Evaporator Fan Motor for CFD-1FF-HC	15	64166	Compressor for CFD-1FF-HC	36	AB023	Evaporator Temperature Sensor for CFD-1FF-HC	60
AB002	Evaporator Fan Motor Holder for CFD-1FF-HC	16	AB015	Starter Kit for CFD-1FF-HC	37 - 40	AB024	Key for CFD-1FF-HC	61
AB003	Right Air Guide Sheet for CFD-1FF-HC	17	AA129	Filter Fixer for CFD-1FF-HC	41	AA865	Defrost Heater for CFD-1FF-HC	62
AB004	Left Air Guide Sheet for CFD-1FF-HC	18	AA130	Filter for CFD-1FF-HC	42	AA867	Drain Hose Heater for CFD-1FF-HC	63
AB005	Evaporator for CFD-1FF-HC	19	AA249	Condenser Fan Cover for CFD-1FF-HC	43	AA216	Drain Hose for CFD-1FF-HC	64
AB006	Inner Drain Pan for CFD-1FF-HC	20	AA764	Blade of Condenser Fan Motor for CFD-1FF-HC	44	AA135	Power Cord for CFD-1FF-HC	65
AB007	Inner Drain Pan Fixer for CFD-1FF-HC	21	AA984	Condenser Fan Motor for CFD-1FF-HC	45			

Parts Breakdown

Model FR-CN-1372-HC 50025



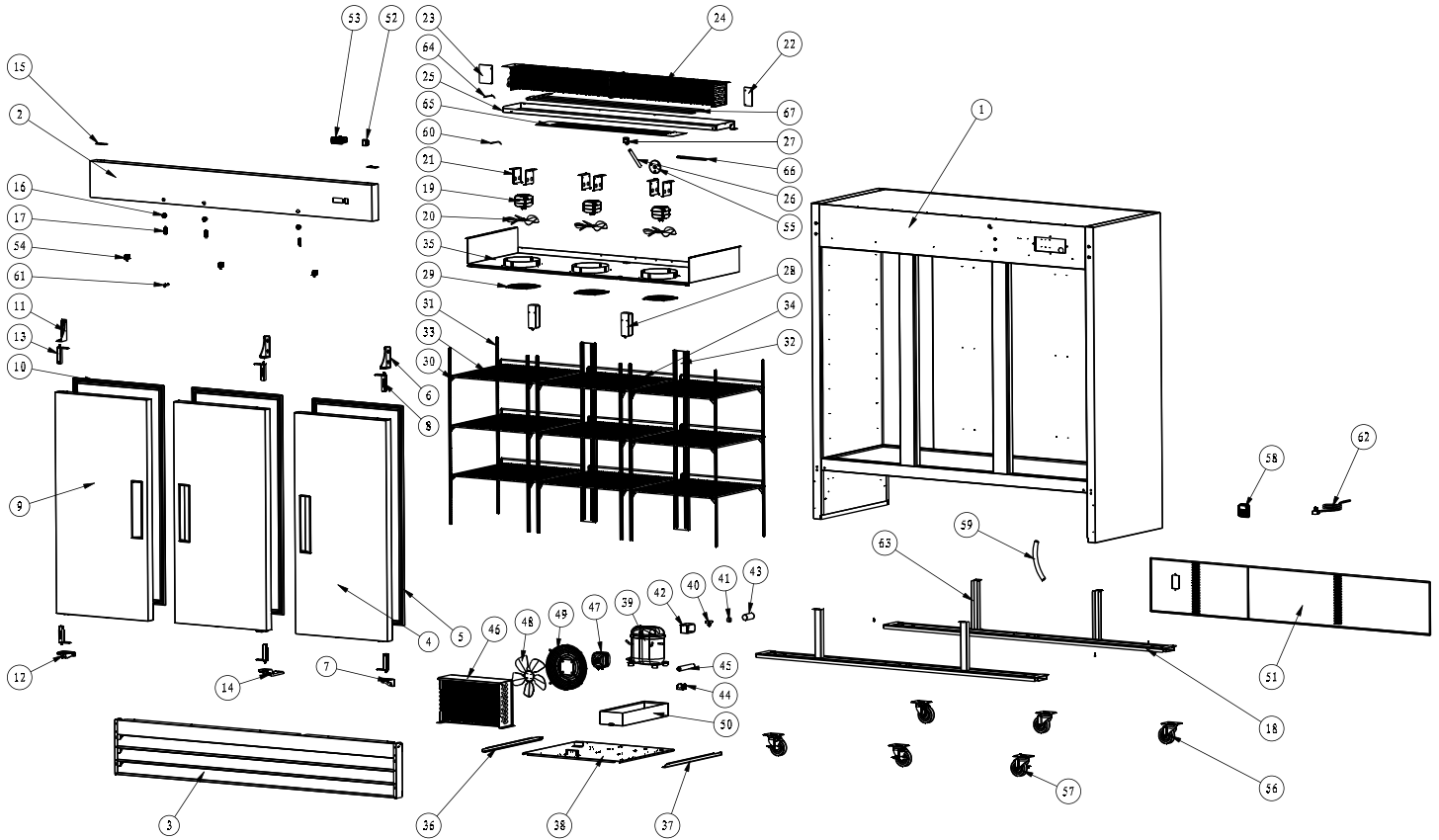
Parts Breakdown

Model FR-CN-1372-HC 50025

Item No.	Description	Position	Item No.	Description	Position	Item No.	Description	Position
AB056	Cabinet for CFD-2FF-HC	1	AB066	Evaporator for CFD-2FF-HC	23	AA814	Blade of Condenser Fan Motor for CFD-2FF-HC	46
AB057	Control Panel for CFD-2FF-HC	2	AB067	Inner Drain Pan for CFD-2FF-HC	24	AB077	Condenser Fan Cover for CFD-2FF-HC	47
AB058	Front Grill for CFD-2FF-HC	3	AA969	Drain Hose for CFD-2FF-HC	25	AB078	Outer Drain Pan for CFD-2FF-HC	48
AB059	Right Door for CFD-2FF-HC	4	69703	Elbow Pipe for CFD-2FF-HC	26	AB079	Back Grill for CFD-2FF-HC	49
AB029	Gasket for CFD-2FF-HC	5, 10	AA970	Light Components for CFD-2FF-HC	27	AA124	Power Switch for CFD-2FF-HC	50
AA954	Upper Right Hinge for CFD-2FF-HC	6	AA971	Evaporator Fan Motor Cover for CFD-2FF-HC	28	AB080	Thermostat for CFD-2FF-HC	51
AA956	Bottom Right Hinge for CFD-2FF-HC	7	AB068	K Clip for CFD-2FF-HC	29	AA844	Door Switch for CFD-2FF-HC	52
AA955	Spring Hinge Board for CFD-2FF-HC	8, 13	AB069	K Strip for CFD-2FF-HC	30	AB081	Drain Plug for CFD-2FF-HC	53
AB060	Left Door for CFD-2FF-HC	9	AB070	Back Brackets for CFD-2FF-HC	31	AA743	4" Castor for CFD-2FF-HC	54
AB032	Upper Left Hinge for CFD-2FF-HC	11	AA975	Shelf for CFD-2FF-HC	32	AA584	4" Castor with Brake for CFD-2FF-HC	55
AB033	Left Bottom Hinge for CFD-2FF-HC	12	AB071	Evaporator Cover for CFD-2FF-HC	33	AA993	Power Plug Fitting Base for CFD-2FF-HC	56
AA959	Hinge for CFD-2FF-HC	14	AB072	Left Track for Assembling Panel for CFD-2FF-HC	34	AA216	Drain Hose for CFD-2FF-HC	57
AA197	Lock for CFD-2FF-HC	15	AB073	Right Track for Assembling Panel for CFD-2FF-HC	35	AA121	Temperature Sensor of Cabinet Inside for CFD-2FF-HC	58
AB061	Lock Bolt for CFD-2FF-HC	16	AB074	Compressor Unit Installation Board for CFD-2FF-HC	36	AB082	Key for CFD-2FF-HC	59
AB062	Leg Supporter for CFD-2FF-HC	17	64169	Compressor for CFD-2FF-HC	37	AA805	Power Cord for CFD-2FF-HC	60
AA607	Evaporator Fan Motor for CFD-2FF-HC	18	AB075	Starter Kit for CFD-2FF-HC	38 - 41	AB083	Cabinet Supporter for CFD-2FF-HC	61
AA962	Blade of Evaporator Fan Motor for CFD-2FF-HC	19	AA129	Filter Fixer for CFD-2FF-HC	42	AB084	Evaporator Temperature Sensor for CFD-2FF-HC	62
AB063	Evaporator Fan Motor Holder for CFD-2FF-HC	20	AA130	Filter for CFD-2FF-HC	43	AA939	Drain Pan Heater for CFD-2FF-HC	63
AB064	Right Air Guide Sheet for CFD-2FF-HC	21	AB076	Condenser for CFD-2FF-HC	44	AA867	Drain Hose Heater for CFD-2FF-HC	64
AB065	Left Air Guide Sheet for CFD-2FF-HC	22	AB049	Condenser Fan Motor for CFD-2FF-HC	45	AA949	Defrost Heater for CFD-2FF-HC	65

Parts Breakdown

Model FR-CN-2057-HC 50027



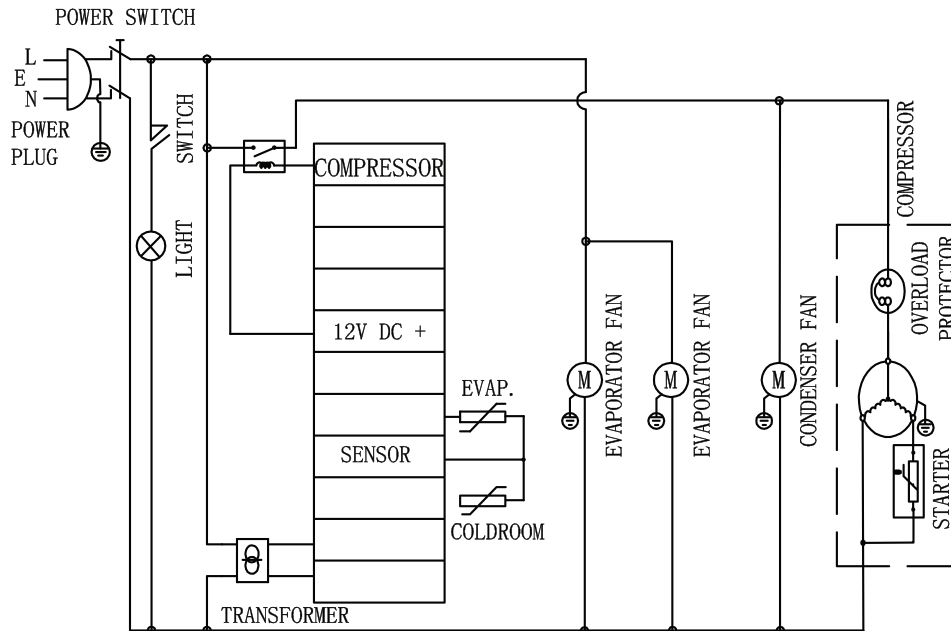
Parts Breakdown

Model FR-CN-2057-HC 50027

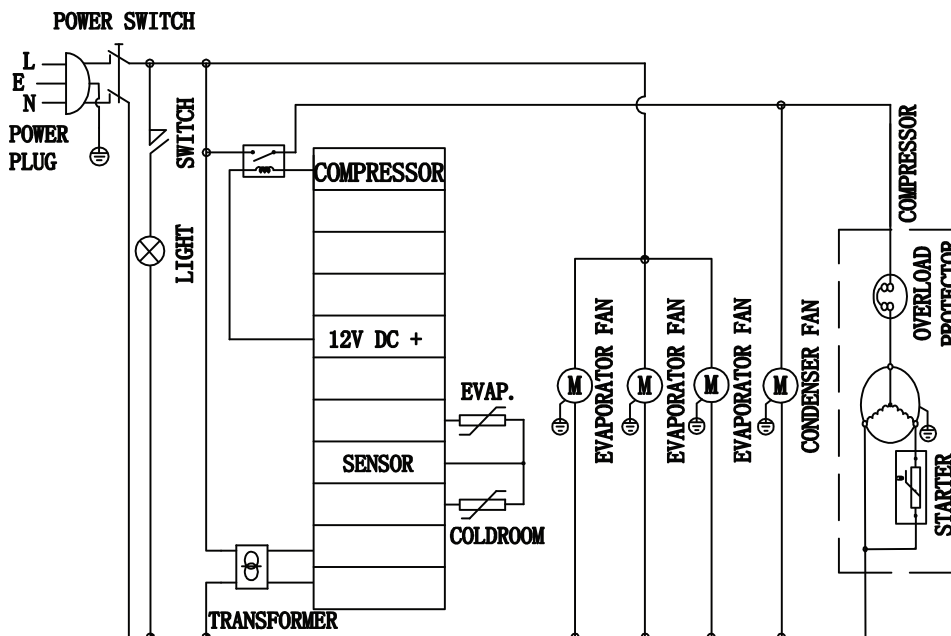
Item No.	Description	Position	Item No.	Description	Position	Item No.	Description	Position
AB113	Cabinet for CFD-3FF-HC	1	AB123	Evaporator for CFD-3FF-HC	24	AA814	Blade of Condenser Fan Motor for CFD-3FF-HC	48
AB114	Control Panel for CFD-3FF-HC	2	AB124	Inner Drain Pan for CFD-3FF-HC	25	AB077	Condenser Fan Cover for CFD-3FF-HC	49
AB115	Front Grill for CFD-3FF-HC	3	AA969	Drain Hose for CFD-3FF-HC	26	AB135	Outer Drain Pan for CFD-3FF-HC	50
AB116	Right Door for CFD-3FF-HC	4	AB125	Elbow Pipe for CFD-3FF-HC	27	AB136	Back Grill for CFD-3FF-HC	51
AB029	Gasket for CFD-3FF-HC	5, 10	AA970	Light Components for CFD-3FF-HC	28	AA124	Power Switch for CFD-3FF-HC	52
AA954	Upper Right Hinge for CFD-3FF-HC	6	AA971	Evaporator Fan Motor Cover for CFD-3FF-HC	29	AB137	Thermostat for CFD-3FF-HC	53
AA956	Bottom Right Hinge for CFD-3FF-HC	7	AB126	K Clip for CFD-3FF-HC	30	AA844	Door Switch for CFD-3FF-HC	54
AA955	Spring Hinge Board for CFD-3FF-HC	8, 13	AB127	K Strip for CFD-3FF-HC	31	AB138	Drain Plug for CFD-3FF-HC	55
AB117	Left Door for CFD-3FF-HC	9	AB128	Back Brackets for CFD-3FF-HC	32	AA743	4" Castor for CFD-3FF-HC	56
AB032	Upper Left Hinge for CFD-3FF-HC	11	AA975	Shelf for CFD-3FF-HC	33	AA584	4" Castor with Brake for CFD-3FF-HC	57
AB033	Left Bottom Hinge for CFD-3FF-HC	12	AB101	Middle Shelf for CFD-3FF-HC	34	AA993	Power Plug Fitting Base for CFD-3FF-HC	58
AB090	Middle Bottom Hinge for CFD-3FF-HC	14	AB129	Evaporator Cover for CFD-3FF-HC	35	AA216	Drain Hose for CFD-3FF-HC	59
AA959	Hinge for CFD-3FF-HC	15	AB130	Left Track for Assembling Panel for CFD-3FF-HC	36	AA121	Temperature Sensor of Cabinet Inside for CFD-3FF-HC	60
AA197	Lock for CFD-3FF-HC	16	AB131	Right Track for Assembling Panel for CFD-3FF-HC	37	AB139	Key for CFD-3FF-HC	61
AB118	Lock Bolt for CFD-3FF-HC	17	AB132	Compressor Unit Installation Board for CFD-3FF-HC	38	AA805	Power Cord for CFD-3FF-HC	62
AB119	Leg Supporter for CFD-3FF-HC	18	64171	Compressor for CFD-3FF-HC	39	AB140	Cabinet Supporter for CFD-3FF-HC	63
AA607	Evaporator Fan Motor for CFD-3FF-HC	19	AB133	Starter Kit for CFD-3FF-HC	40 - 43	AB084	Evaporator Temperature Sensor for CFD-3FF-HC	64
AA962	Blade of Evaporator Fan Motor for CFD-3FF-HC	20	AA129	Filter Fixer for CFD-3FF-HC	44	AB141	Drain Pan Heater for CFD-3FF-HC	65
AB120	Evaporator Fan Motor Holder for CFD-3FF-HC	21	AA130	Filter for CFD-3FF-HC	45	AA867	Drain Hose Heater for CFD-3FF-HC	66
AB121	Right Air Guide Sheet for CFD-3FF-HC	22	AB134	Condenser for CFD-3FF-HC	46	AB142	Defrost Heater for CFD-3FF-HC	67
AB122	Left Air Guide Sheet for CFD-3FF-HC	23	AB049	Condenser Fan Motor for CFD-3FF-HC	47			

Electrical Schematics

Model RE-CN-0021-HC 50024

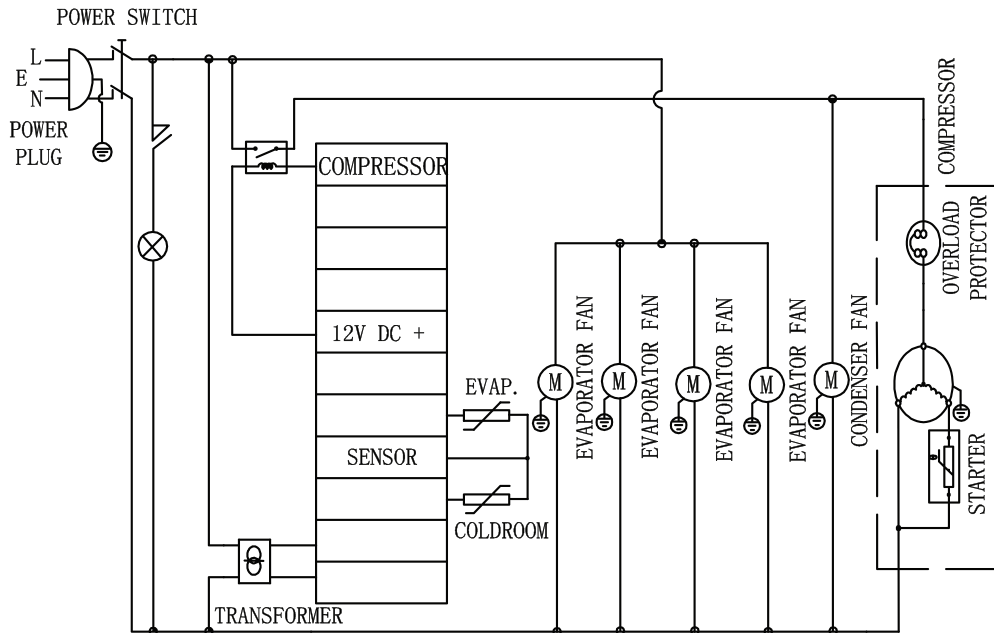


Model RE-CN-0041-HC 50026

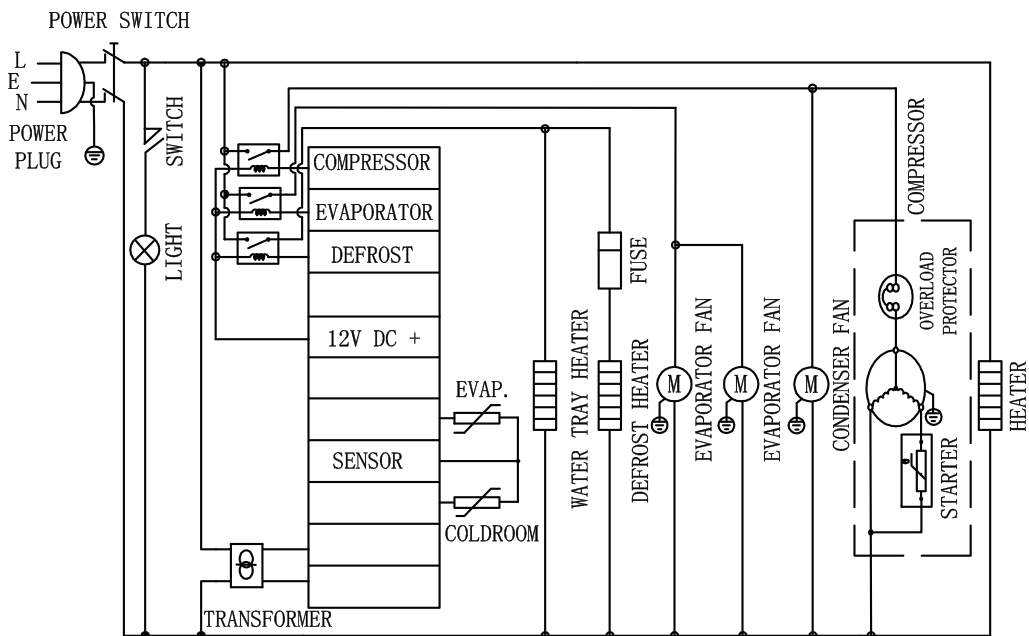


Electrical Schematics

Model RE-CN-0067-HC 50028

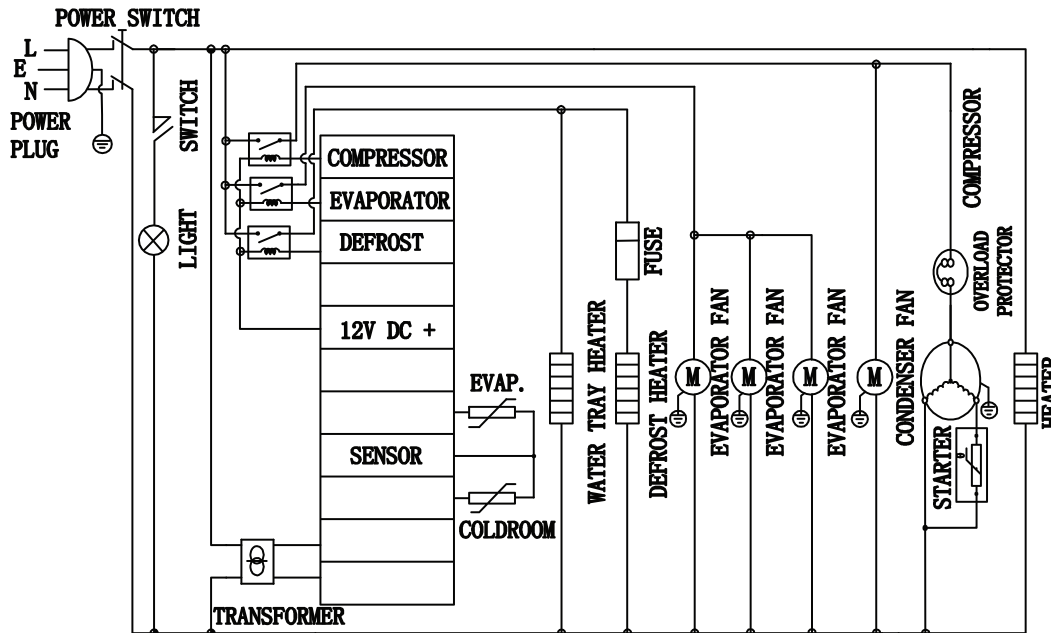


Model FR-CN-0737-HC 50023

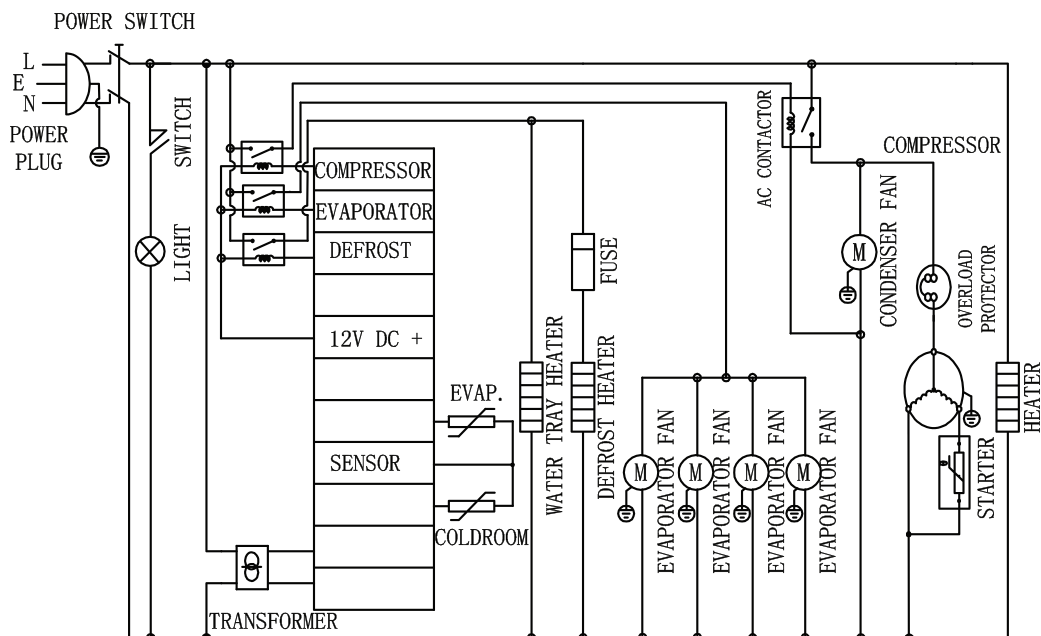


Electrical Schematics

Model FR-CN-1372-HC 50025



Model FR-CN-2057-HC 50027





Warranty Registration

Thank you for purchasing an Omcan product. To register your warranty for this product, complete the information below, tear off the card at the perforation and then send to the address specified below. You can also register online by visiting:

Merci d'avoir acheté un produit Omcan. Pour enregistrer votre garantie pour ce produit, complétez les informations ci-dessous, détachez la carte au niveau de la perforation, puis l'envoyer à l'adresse spécifiée ci-dessous. Vous pouvez également vous inscrire en ligne en visitant:

Gracias por comprar un producto Omcan usted. Para registrar su garantía para este producto, complete la información a continuación, cortar la tarjeta en la perforación y luego enviarlo a la dirección indicada a continuación. También puede registrarse en línea en:

<https://omcan.com/warranty-registration/>

For mailing in Canada

Pour postale au Canada

Por correo en Canadá

OMCAN

PRODUCT WARRANTY REGISTRATION

3115 Pepper Mill Court,

Mississauga, Ontario

Canada, L5L 4X5

For mailing in the US

Pour diffusion aux États-Unis

Por correo en los EE.UU.

OMCAN

PRODUCT WARRANTY REGISTRATION

4450 Witmer Industrial Estates, Unit 4,

Niagara Falls, New York

USA, 14305

or email to: service@omcan.com



Purchaser's Information

Name: _____

Address: _____

City: _____ Province or State: _____ Postal or Zip: _____

Country: _____

Dealer from which Purchased: _____

Dealer City: _____ Dealer Province or State: _____

Invoice: _____

Model Name: _____ Model Number: _____

Machine Description: _____

Date of Purchase (MM/DD/YYYY): _____

Would you like to extend the warranty? Yes No

Company Name: _____

Telephone: _____

Email Address: _____

Type of Company:

Restaurant Bakery Deli

Butcher Supermarket Caterer

Institution (specify): _____

Other (specify): _____

Serial Number: _____

Date of Installation (MM/DD/YYYY): _____

Thank you for choosing Omcan | Merci d'avoir choisi Omcan | Gracias por elegir Omcan



Since 1951 Omcan has grown to become a leading distributor of equipment and supplies to the North American food service industry. Our success over these many years can be attributed to our commitment to strengthen and develop new and existing relationships with our valued customers and manufacturers. Today with partners in North America, Europe, Asia and South America, we continually work to improve and grow the company. We strive to offer customers exceptional value through our qualified local sales and service representatives who provide convenient access to over 5,000 globally sourced products.

Depuis 1951 Omcan a grandi pour devenir un des “leaders” de la distribution des équipements et matériel pour l’industrie des services alimentaires en Amérique du Nord. Notre succès au cours de ces nombreuses années peut être attribué à notre engagement à renforcer et à développer de nouvelles et existantes relations avec nos clients et les fabricants de valeur. Aujourd’hui avec des partenaires en Amérique du Nord, Europe, Asie et Amérique du Sud, nous travaillons continuellement à améliorer et développer l’entreprise. Nous nous efforçons d’offrir à nos clients une valeur exceptionnelle grâce à nos ventes locales qualifiées et des représentants de service qui offrent un accès facile à plus de 5000 produits provenant du monde entier.

Desde 1951 Omcan ha crecido hasta convertirse en un líder en la distribución de equipos y suministros de alimentos en América del Norte industria de servicios. Nuestro éxito en estos años se puede atribuir a nuestro compromiso de fortalecer y desarrollar nuevas relaciones existentes con nuestros valiosos clientes y fabricantes. Hoy con socios de América del Norte, Europa, Asia y América del Sur, que trabajan continuamente para mejorar y crecer la empresa. Nos esforzamos por ofrecer a nuestros clientes valor excepcional a través de nuestro local de ventas y representantes de los servicios que proporcionan un fácil acceso a más de 5,000 productos con origen a nivel mundial.

