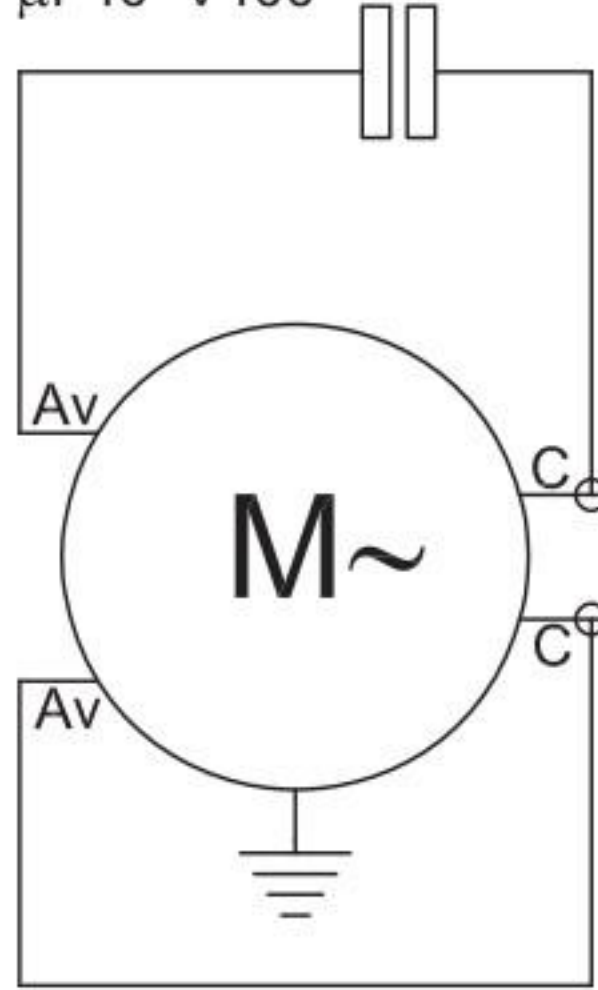
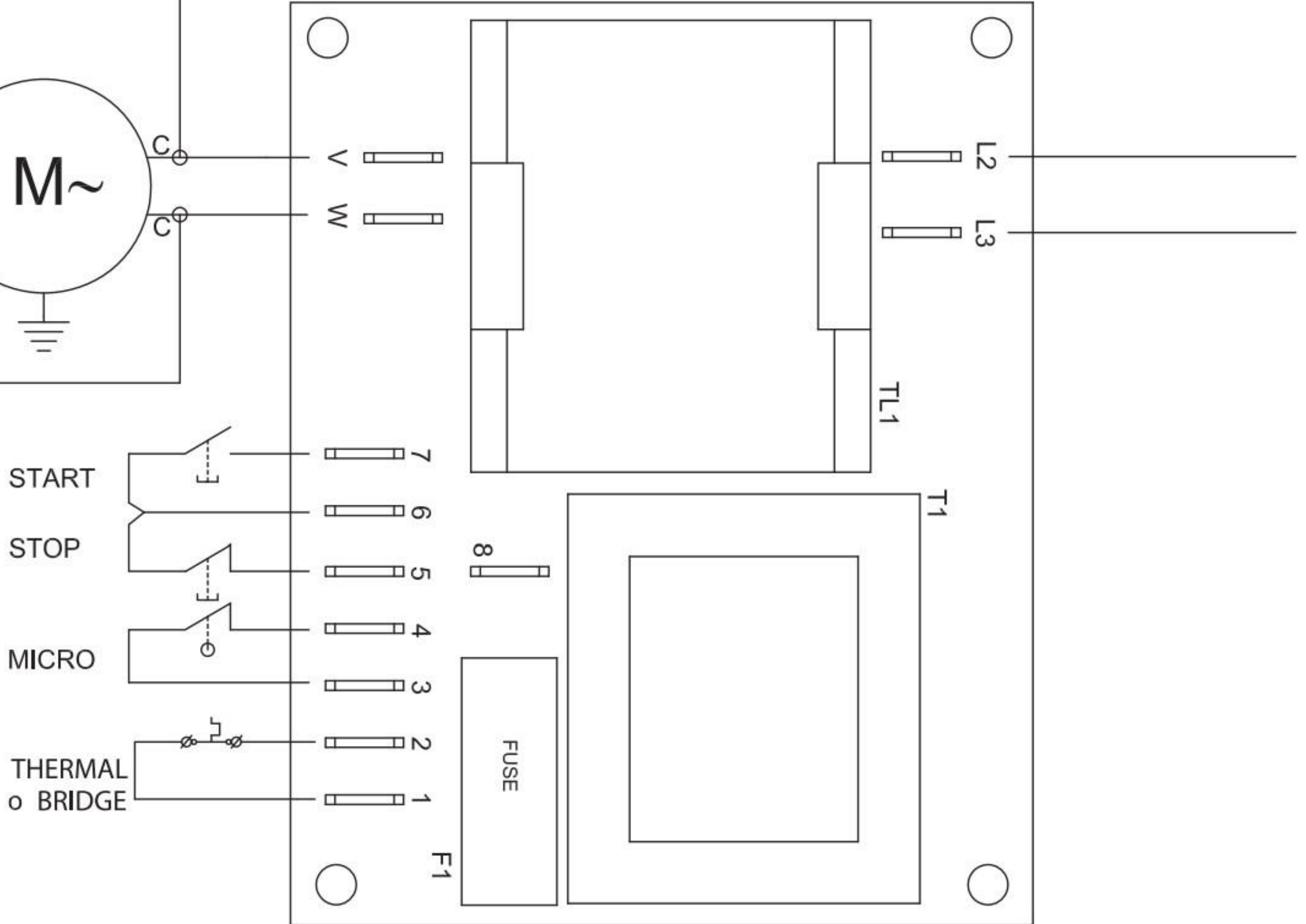


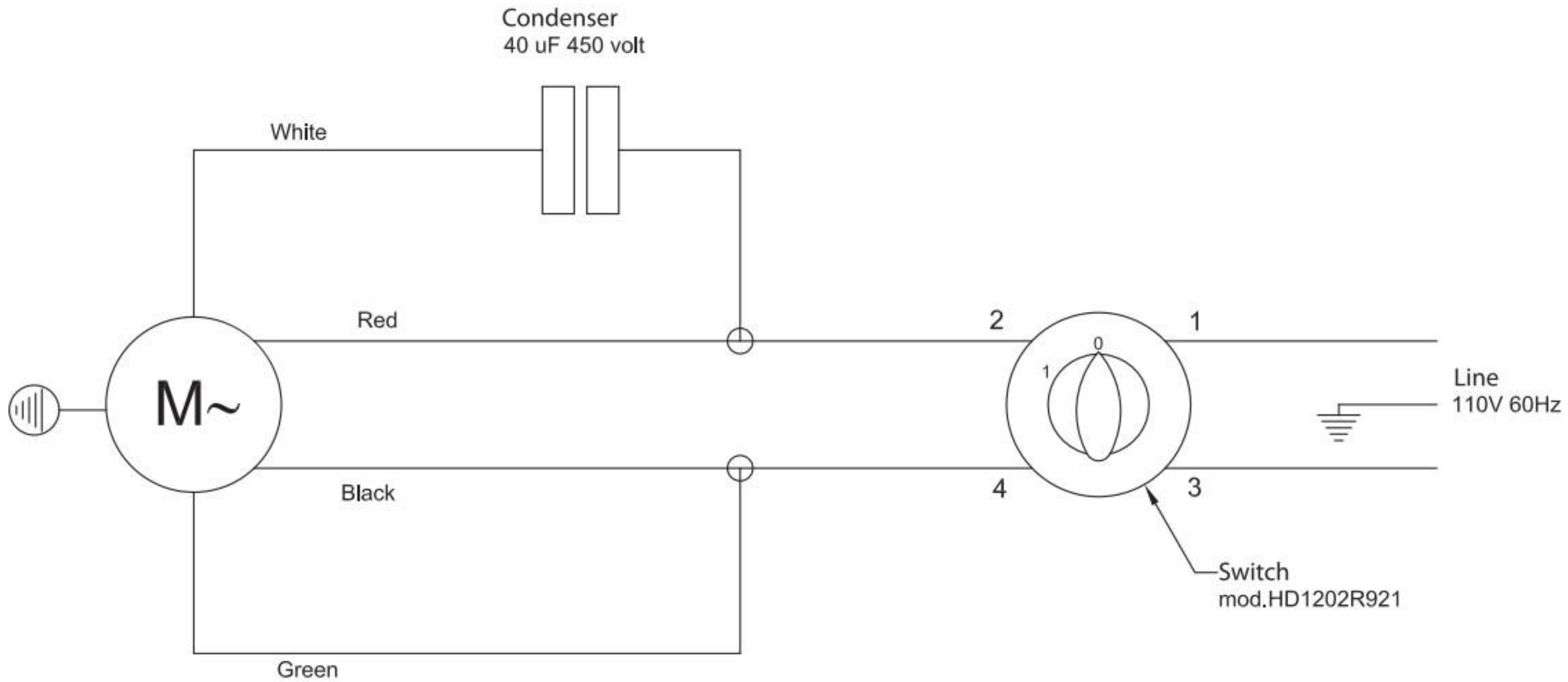
CONDENSER
 $\mu\text{F}40$ V400

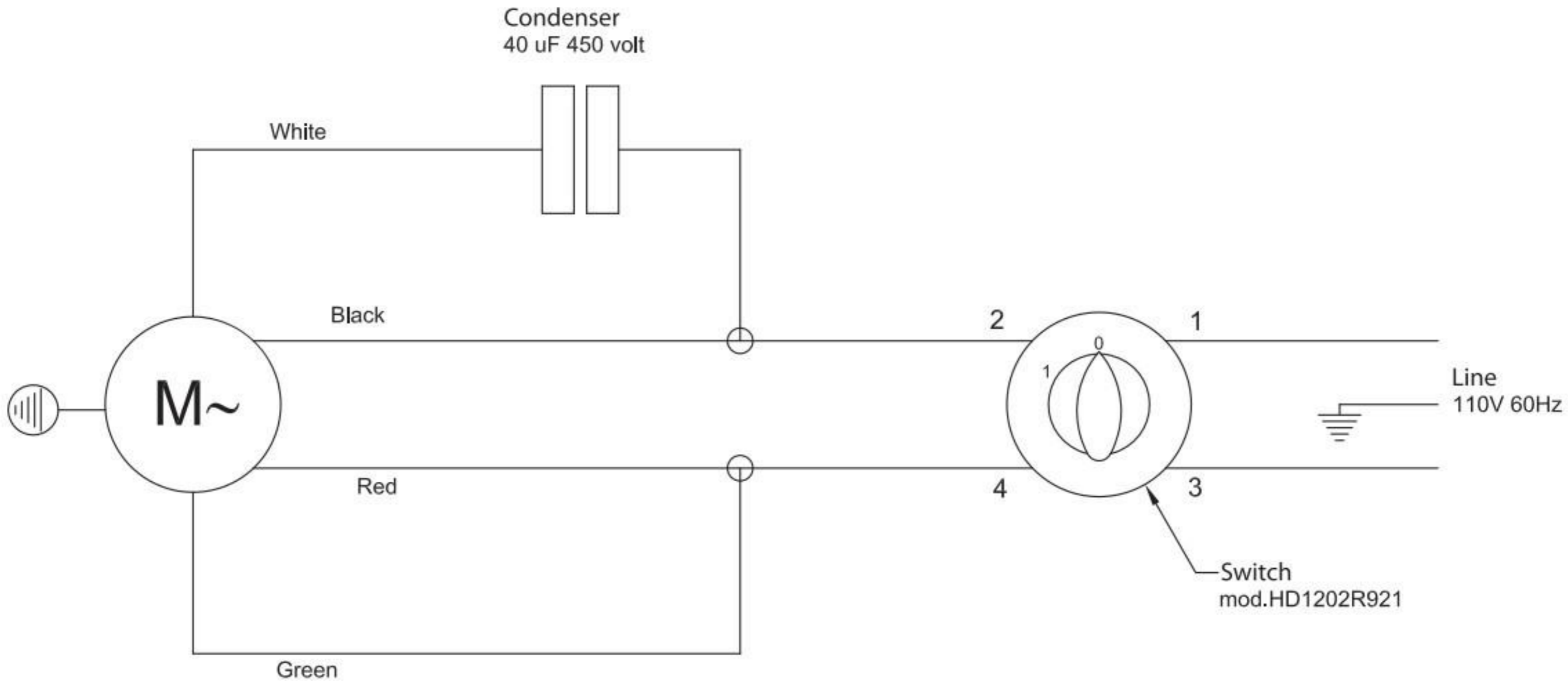


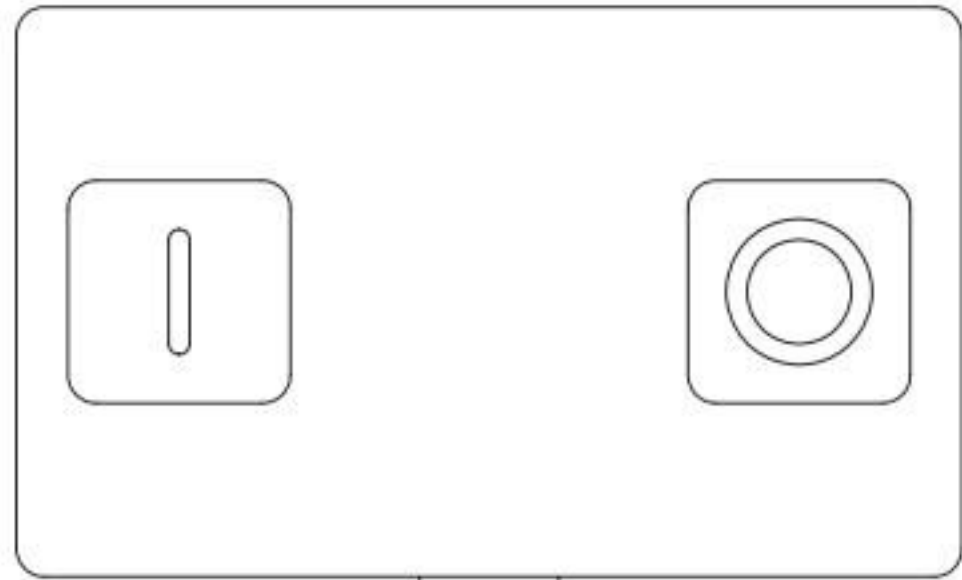
V-W = MOTOR

L2-L3 = LINE

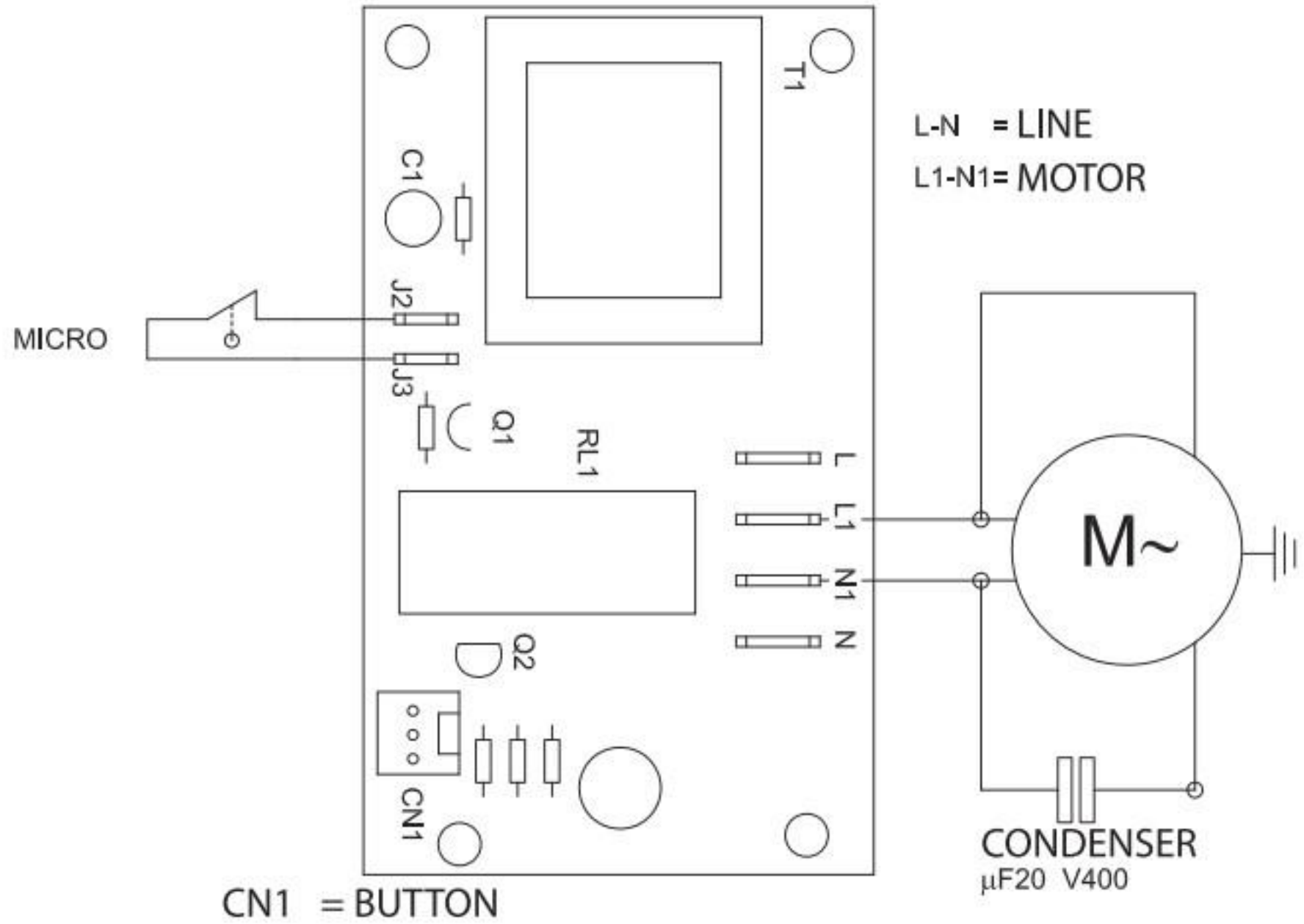




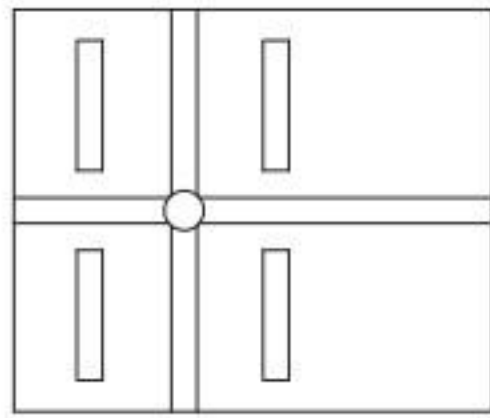




TO THE CONNECTOR CN1

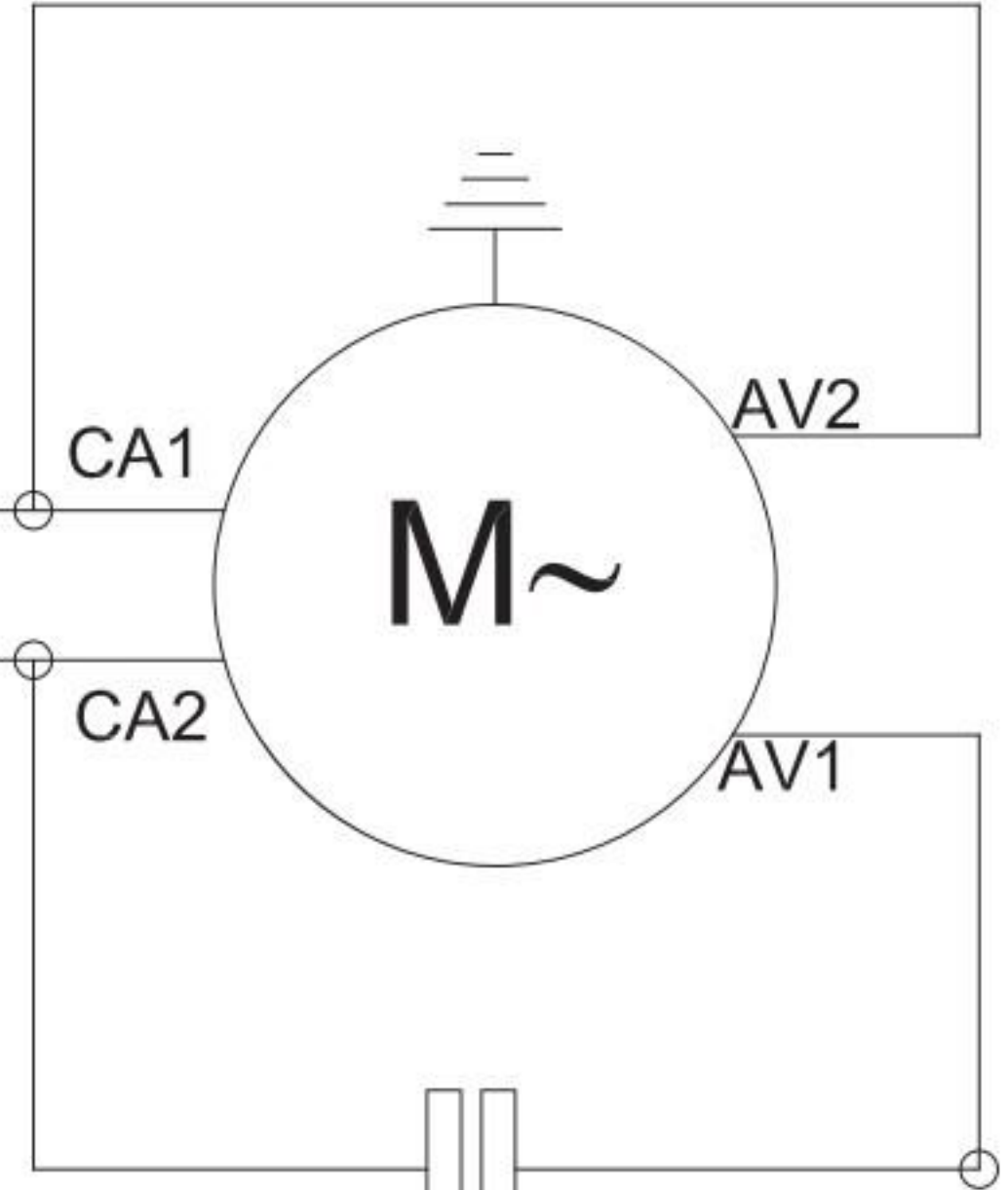
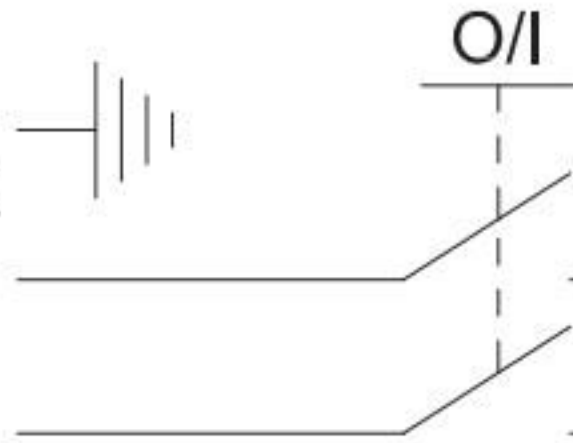


NETWORK
110V
60Hz



MOTOR

NETWORK
110V
60Hz



- AV1 = WHITE
- AV2 = LIGHT BLUE
- CA1 = BLACK
- CA2 = RED

CONDENSER
 μ F20 V400