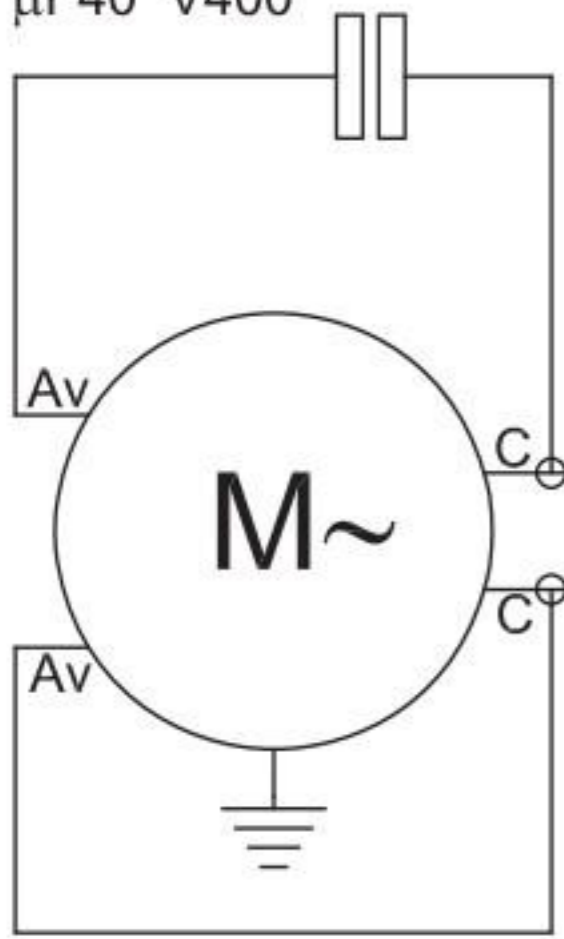
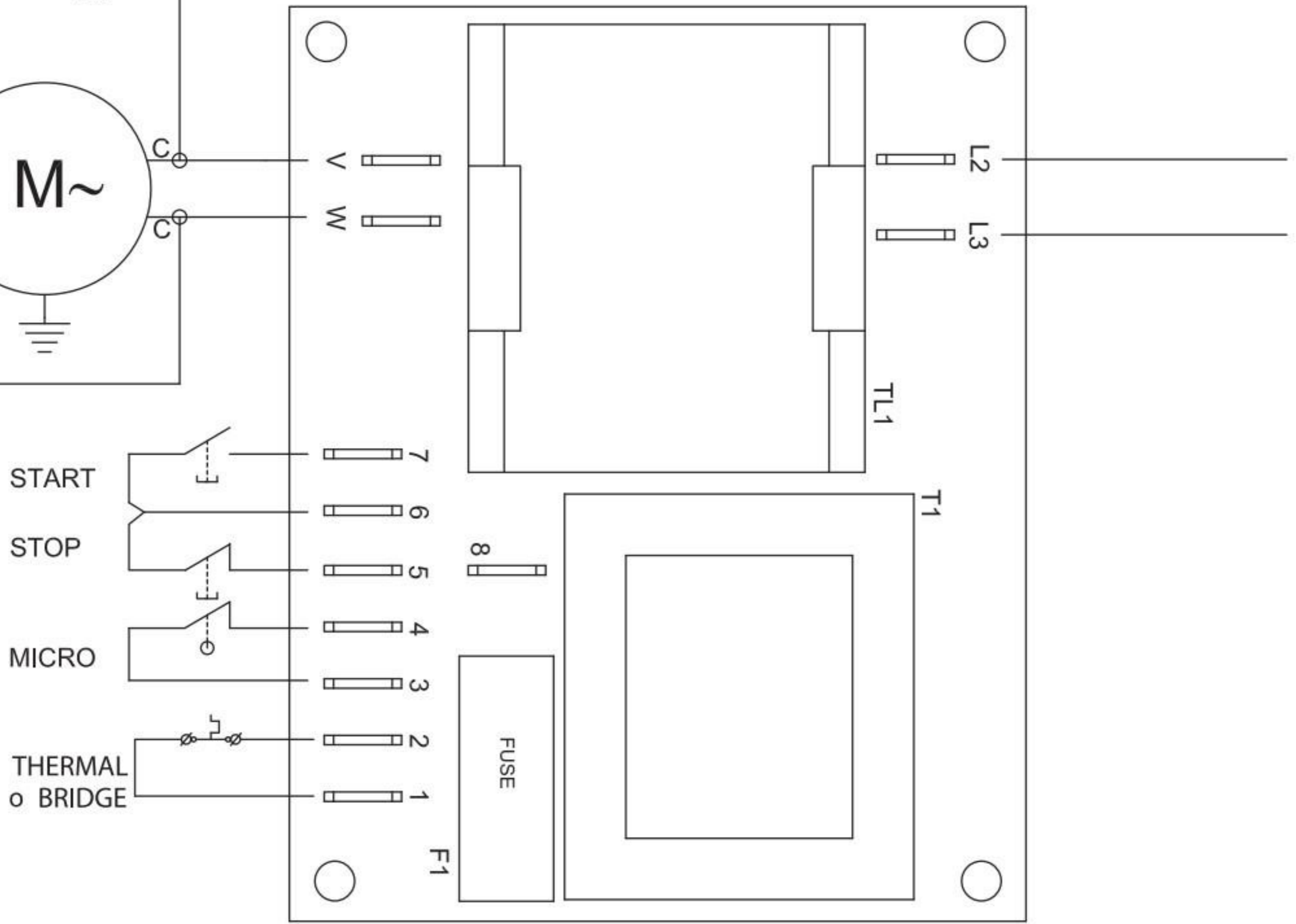


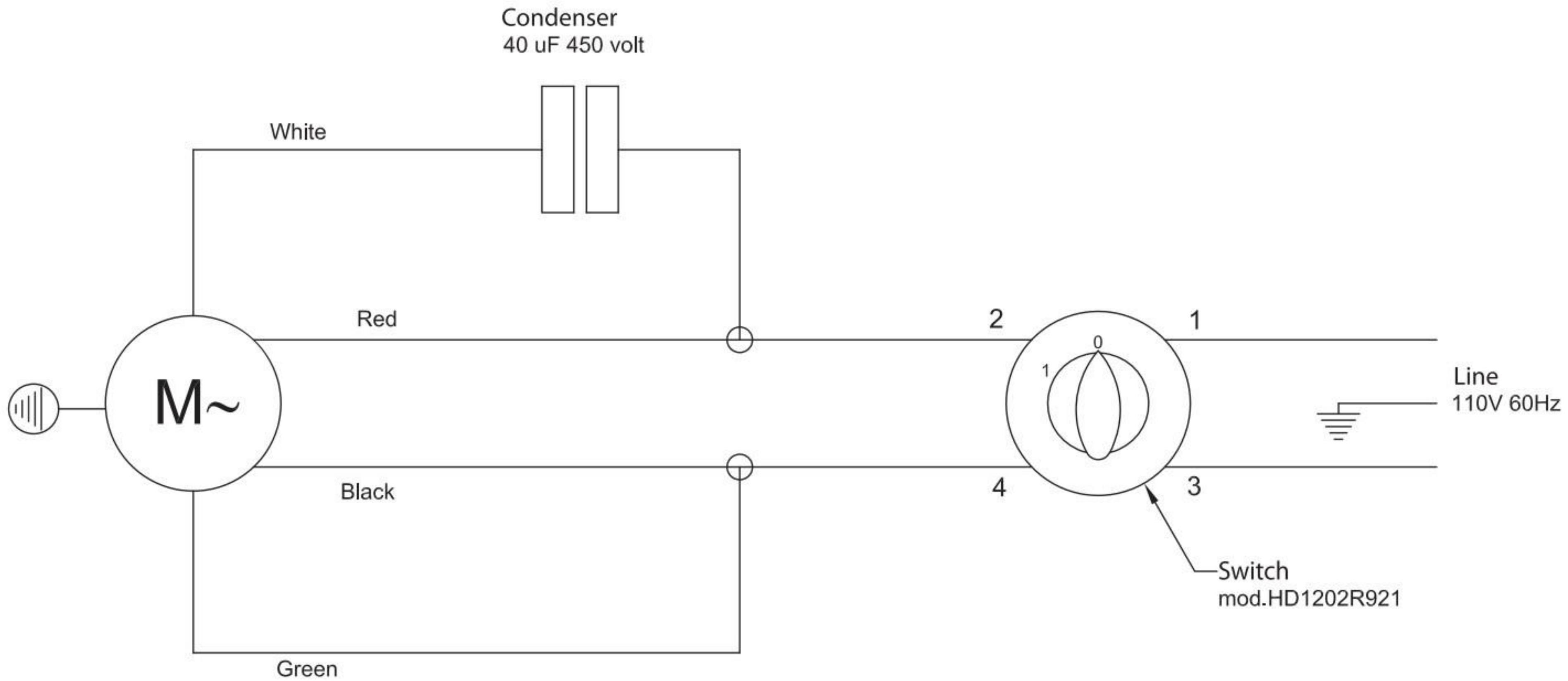
CONDENSER
 $\mu\text{F}40 \text{ V}400$

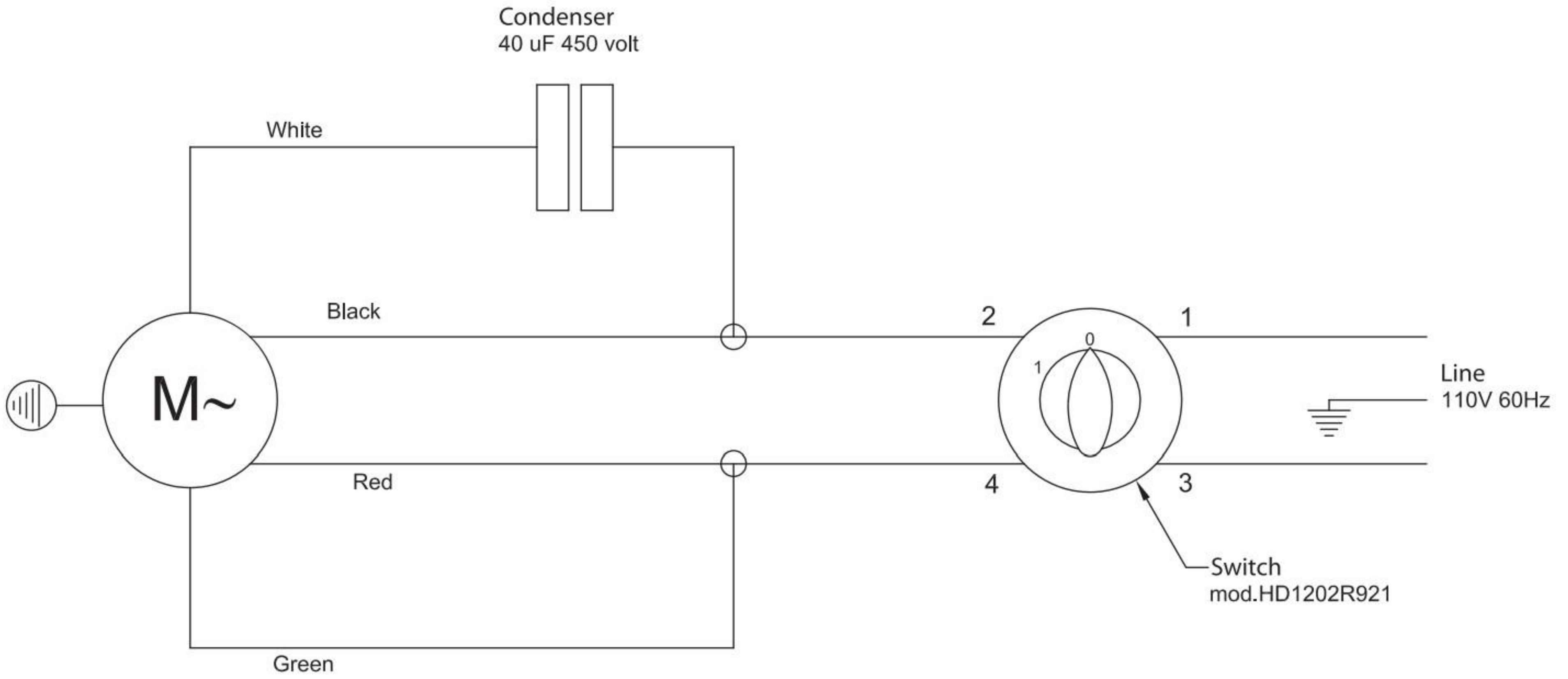


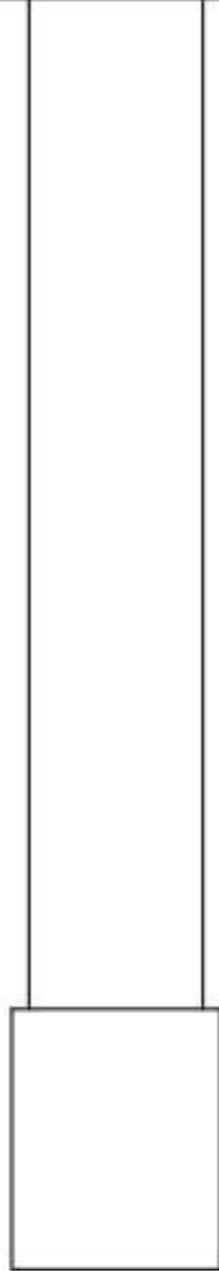
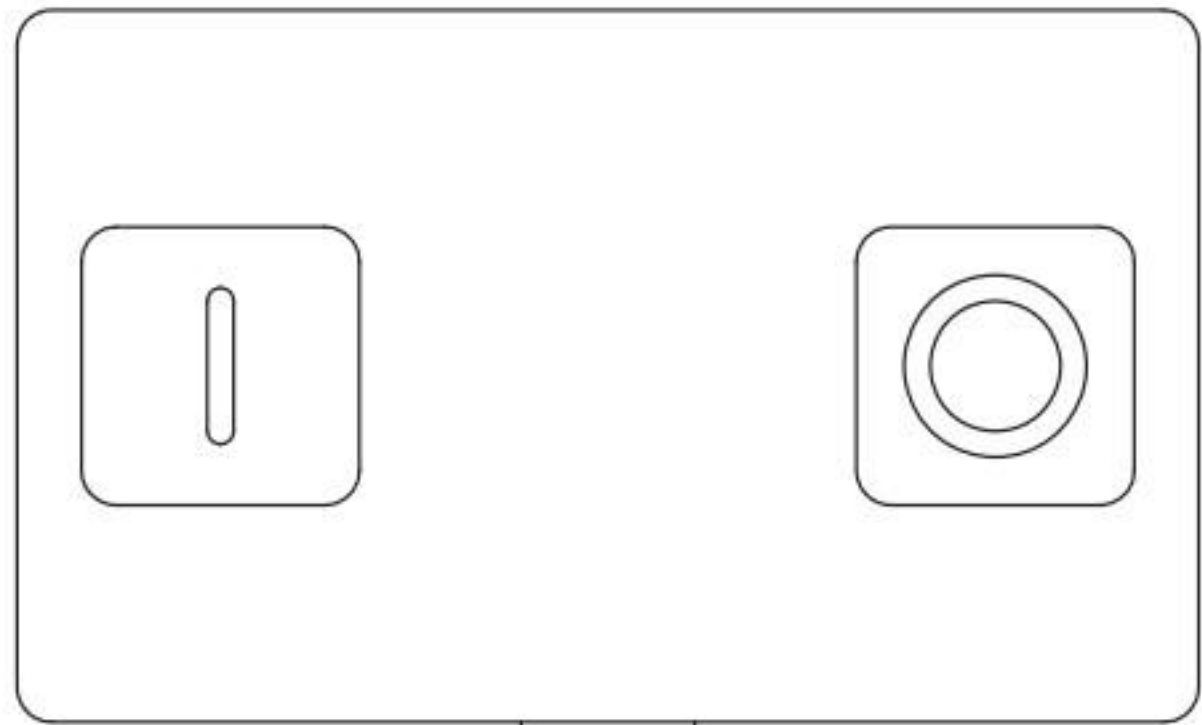
V-W = MOTOR

L2-L3 = LINE

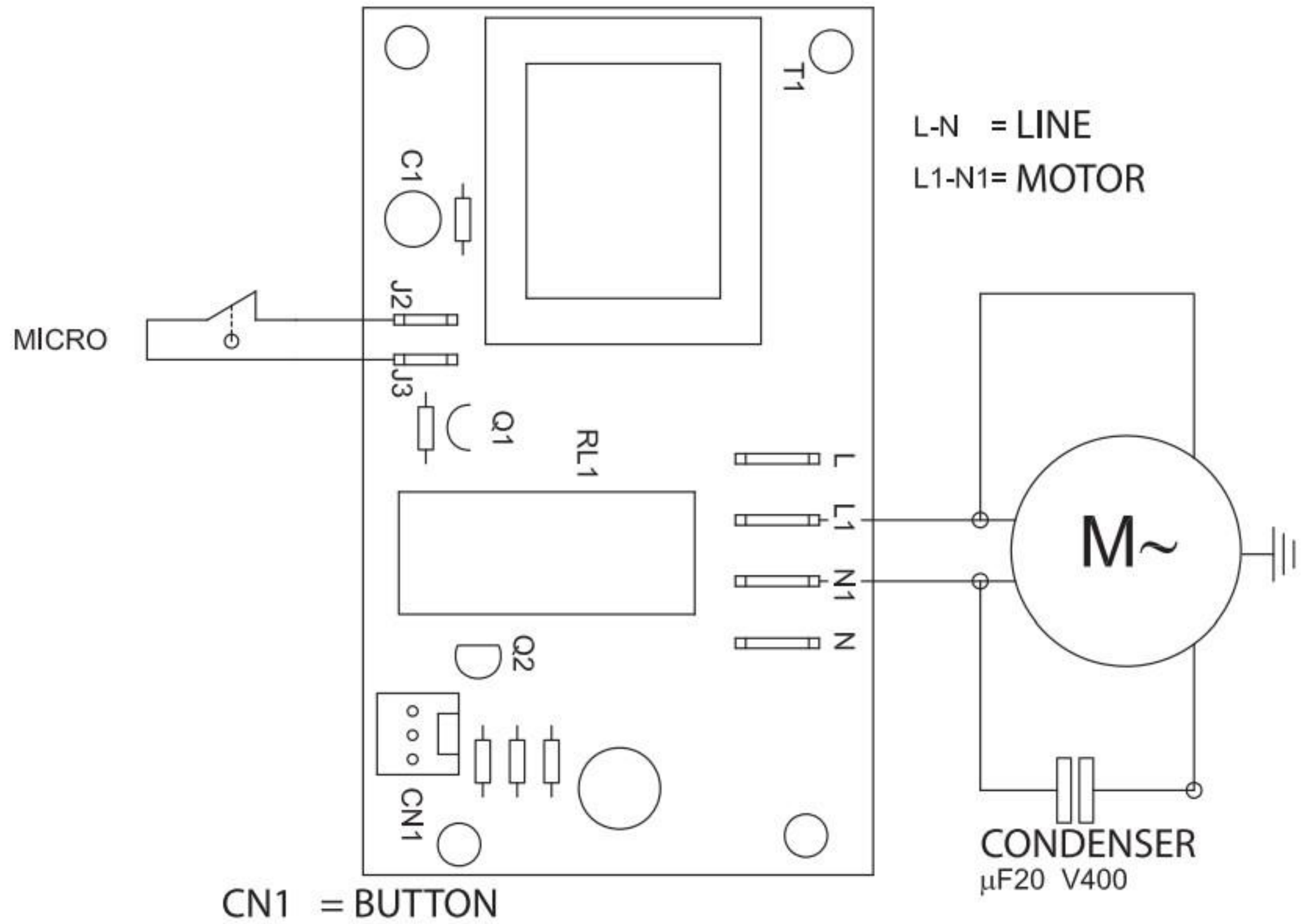




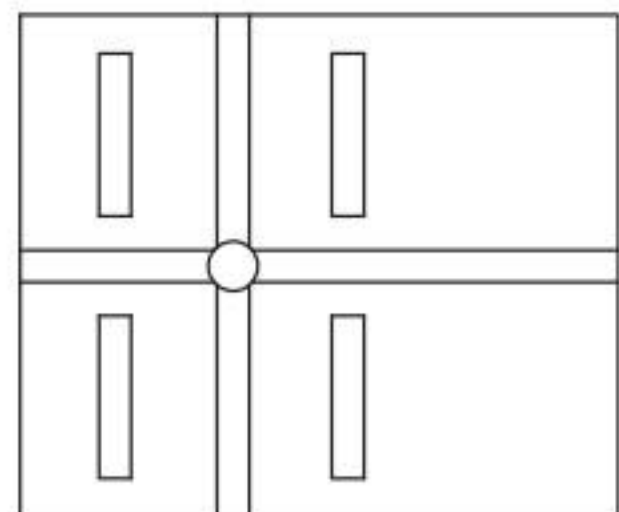




TO THE CONNECTOR CN1

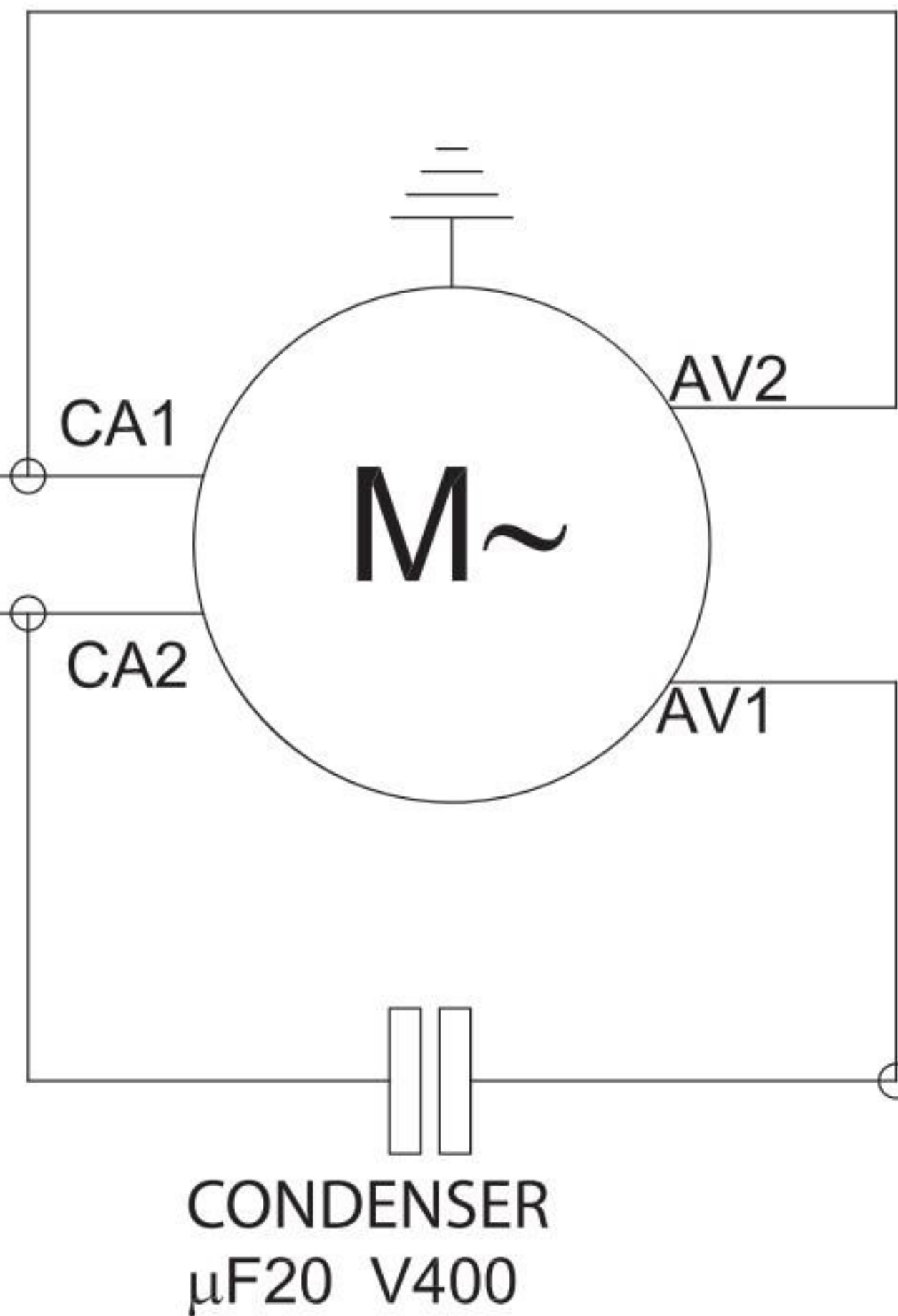
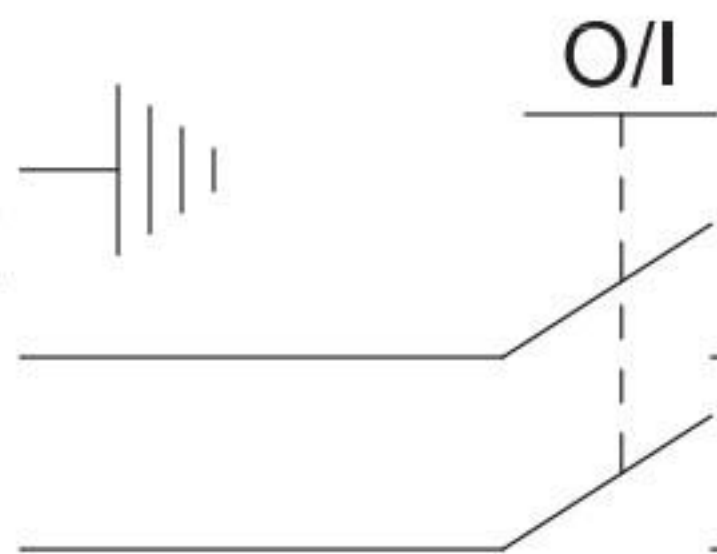


NETWORK
110V
60Hz



MOTOR

NETWORK
110V
60Hz



AV1 = WHITE
AV2 = LIGHT BLUE
CA1 = BLACK
CA2 = RED