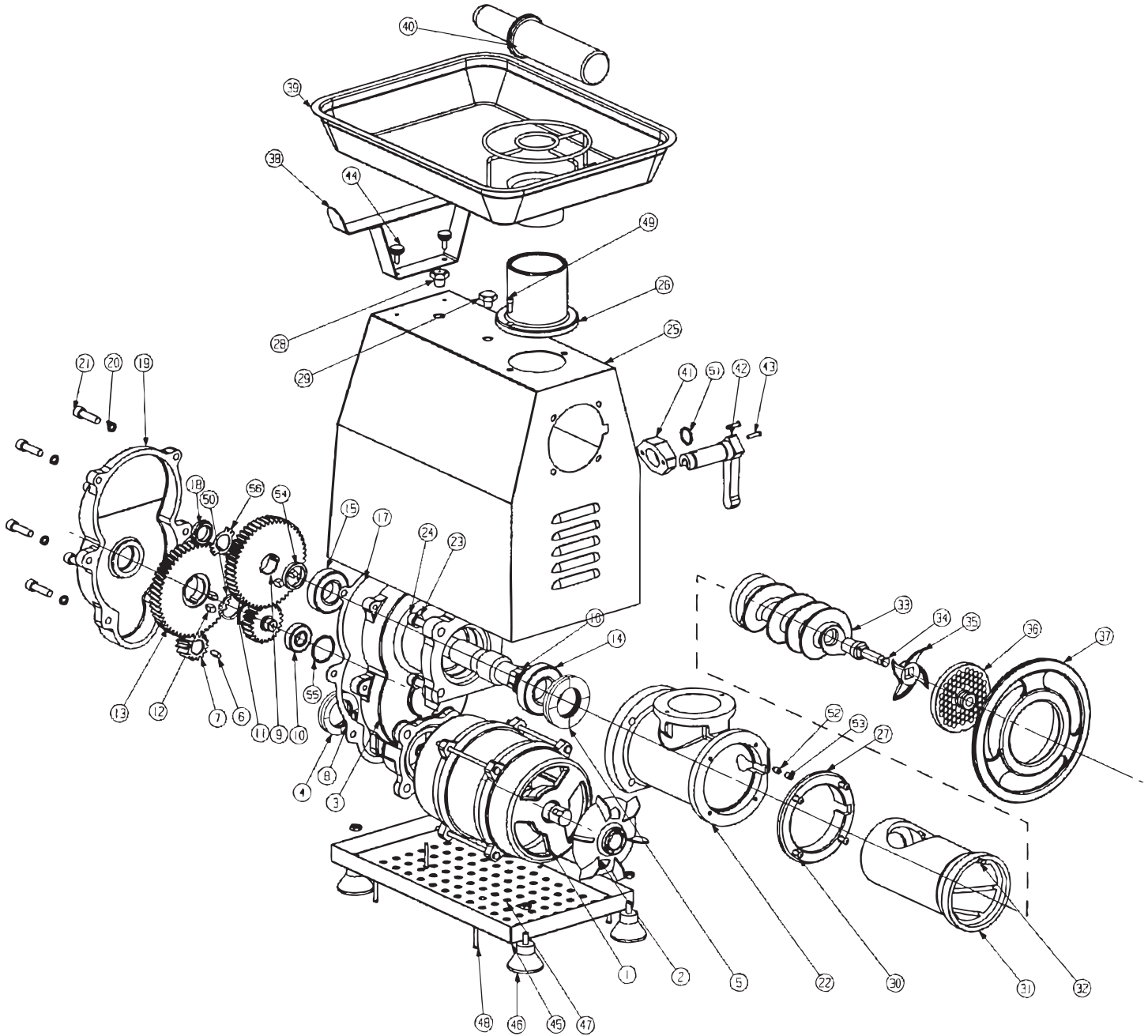


# Parts Breakdown

Model MG-CN-0032-M 43628



# Parts Breakdown

## Model MG-CN-0032-M 43628

Item No.	Description	Position	Item No.	Description	Position	Item No.	Description	Position
79839	Motor for 43628	1	79859	M8x35 Bolt for 43628	21	79879	Aluminum Pad for 43628	41
79840	Fan of Motor for 43628	2	79860	Aluminum Tee for 43628	22	79880	Handle for 43628	42
79841	Body of Gear Box for 43628	3	79861	M12 Spring Washer for 43628	23	79881	M5x20 Half Round Screw for 43628	43
79842	40x62x12 Oil Sealer for 43628	4	79862	M12x40 Bolt for 43628	24	79882	M6x15 Half Round Bakelite Screw for 43628	44
79843	42x75x12 Oil Sealer for 43628	5	79863	Shell for 43628	25	79883	Stainless Steel Underlay for 43628	45
79844	6x6x16 Flat Key for 43628	6	79864	Aluminum Feeder for 43628	26	79884	Rubber Foot Screw for 43628	46
79845	#1 Gear-14 Teeth for 43628	7	79865	Aluminum Washer for 43628	27	79885	M8 Nut for 43628	47
79846	18.5x1 Spring of Shaft Lock for 43628	8	79866	M14x12 Screw for 43628	28	79886	M5x35 Half Round Screw for 43628	48
79847	#4 Gear-51 Teeth for 43628	9	79867	M12x10 Bolt for 43628	29	79887	M6x19.5 Bolt for 43628	49
79848	6203-RZ Deep Groove Ball Bearing for 43628	10	79868	M6x15 Half-Round Screw for 43628	30	79888	33x1 Spring of Shaft Lock for 43628	50
79849	#3 Gear Shaft-22 Teeth for 43628	11	79869	Tee for 43628	31	79889	O-Ring $\Phi$ 20x2.5 for 43628	51
79850	8x7x16 Flat Key for 43628	12	79870	7x20 Meat Plate Positioning Pins for 43628	32	79890	M8x12 Fasten Screw for 43628	52
79851	#2 Bakelite Gear-53 Teeth for 43628	13	79871	Worm for 43628	33	79891	M8x10 Fasten Screw for 43628	53
79852	6207-RZ Deep Groove Ball Bearing for 43628	14	79872	Worm Shaft for 43628	34	79892	Bushing for 43628	54
79853	6206-RZ Deep Groove Ball Bearing for 43628	15	43570	#32 Machine Knife for 43628	35	79893	Waveform Washer for 43628	55
79854	Output Shaft for 43628	16	43565	ES #32 HS Plate with Hub 3/8 10mm Three Notches / Round for 43628	36	79894	Anti-Moving Washer for Round Nut for 43628	56
79855	Gear Box Paper Mat for 43628	17	79875	Gate Cover for 43628	37	72277	Microswitch for 43628	
79856	M24x1.5 Nut for 43628	18	79876	Support for 43628	38	63485	On/Off Switch for 43628	
79857	Gear Box Cover for 43628	19	79877	Meat Tray for 43628	39			
79858	M8 Spring Washer for 43628	20	79878	Meat Pusher for 43628	40			