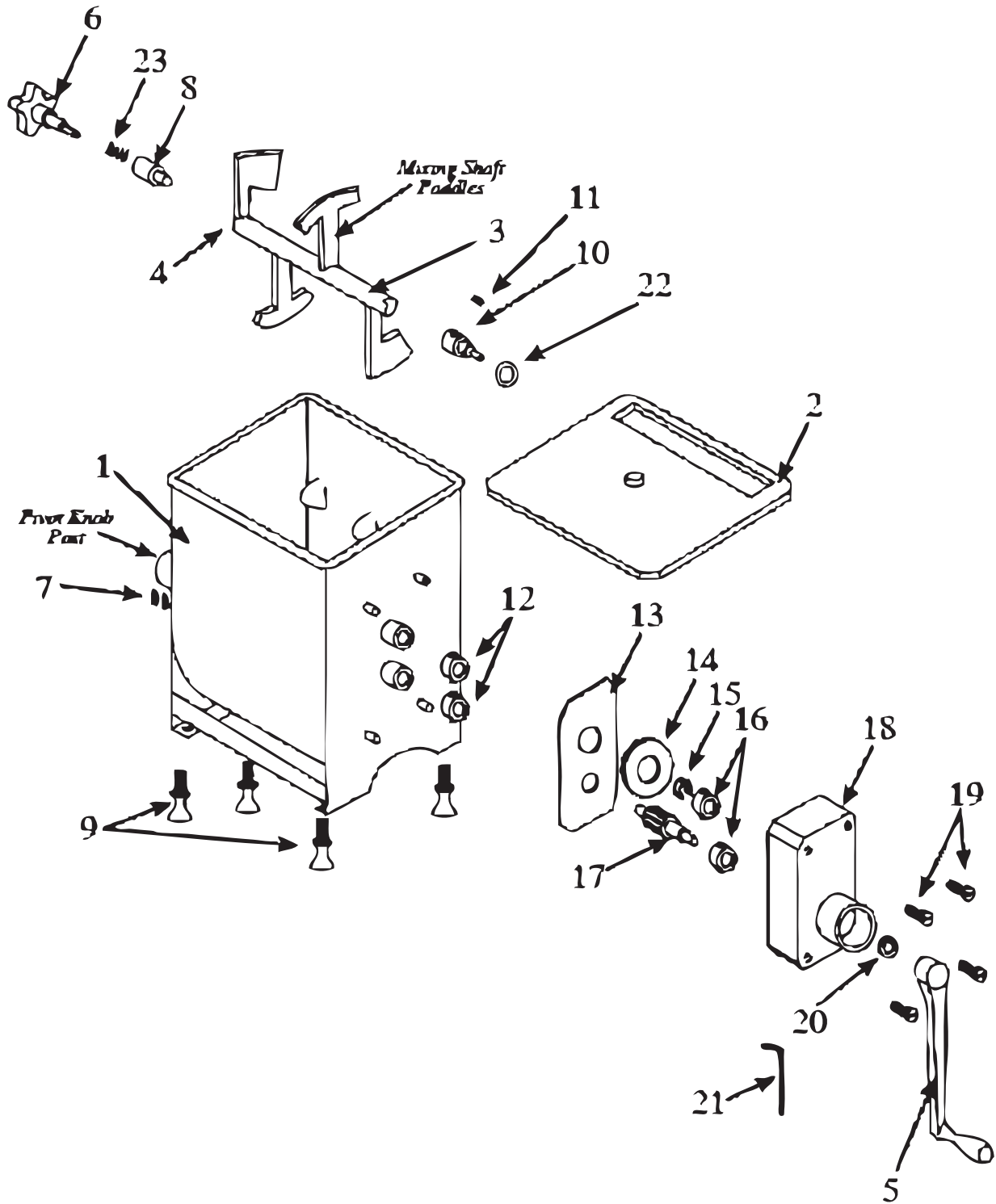


# Parts Breakdown

Model MM-CN-0044 44425



# Parts Breakdown

## Model MM-CN-0044 44425

Item No.	Description	Position	Item No.	Description	Position	Item No.	Description	Position
AG836	Mixing Tub for 44425	1	AG844	Rubber Foot with Locking Nuts for 44425	9	<a href="#">AG852</a>	Drive Shaft for 44425	17
AG837	Clear Lid for 44425	2	AG845	Mixing Shaft Pinion for 44425	10	AG853	Gear Housing Cover for 44425	18
AG838	Mixing Shaft for 44425	3	AG846	Key for 44425	11	AG854	Gear Housing Cover Mounting Bolt for 44425	19
AG839	Mixing Shaft Bushing for 44425	4	AG847	Large Bushing for 44425	12	AG855	Driving Gear Shaft Seal for 44425	20
AG840	Handle for 44425	5	AG848	Gasket for 44425	13	AG856	Wrench for 44425	21
AG841	Pivot Knob for 44425	6	AG849	Driven Gear for 44425	14	AG857	Mixer Shaft Pinion Rubber Seal for 44425	22
AG842	Pivot Knob/Pin Set Screw for 44425	7	AG850	Retainer Clip for 44425	15	AG858	Spring for 44425	23
AG843	Brass Pivot Pin for 44425	8	AG851	Small Bushing for 44425	16			