



Gravity Meat Slicers

Models MS-IT-0220-C, 0250-C, 0300-C

Items 31342, 31343, 31344

Instruction Manual



Revised - 02/28/2018



Toll Free: 1-800-465-0234
Fax: 905-607-0234
Email: service@omcan.com
www.omcan.com

*In Compliance with Province
of Quebec safety standards.*

Only available in Quebec

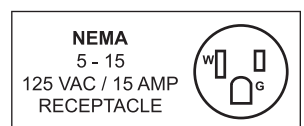


Table of Contents

Model MS-IT-0220-C / Model MS-IT-0250-C / Model MS-IT-0300-C

Section	Page
General Information -----	3 - 4
Safety and Warranty -----	4 - 6
Technical Specifications -----	6 - 7
Installation -----	8 - 9
Operation -----	9 - 10
Maintenance -----	10 - 13
Troubleshooting -----	14 - 15
Instructions Français -----	15 - 26
Parts Breakdown -----	27 - 32
Electrical Schematics -----	33 - 34
Warranty Registration -----	35



General Information

Omcan Manufacturing and Distributing Company Inc., Food Machinery of America, Inc. dba Omcan and Omcan Inc. are not responsible for any harm or injury caused due to any person's improper or negligent use of this equipment. The product shall only be operated by someone over the age of 18, of sound mind, and not under the influence of any drugs or alcohol, who has been trained in the correct operation of this machine, and is wearing authorized, proper safety clothing. Any modification to the machine voids any warranty, and may cause harm to individuals using the machine or in the vicinity of the machine while in operation.

CHECK PACKAGE UPON ARRIVAL

Upon receipt of an Omcan shipment please inspect for external damage. If no damage is evident on the external packaging, open carton to ensure all ordered items are within the box, and there is no concealed damage to the machine. If the package has suffered rough handling, bumps or damage (visible or concealed), please note it on the bill of lading before accepting the delivery and contact Omcan within 24 hours, so we may initiate a claim with the carrier. A detailed report on the extent of the damage caused to the machine must be filled out within three days, from the delivery date shown in the shipping documents. Omcan has no recourse for damaged products that were shipped collect or third party.

Before operating any equipment, always read and familiarize yourself with all operation and safety instructions.

Omcan would like to thank you for purchasing this machine. It's of the utmost importance to save these instructions for future reference. Also save the original box and packaging for shipping the equipment if servicing or returning of the machine is required.

Omcan Fabrication et distribution Compañie Limité et Food Machinery d'Amérique, dba Omcan et Omcan Inc. ne sont pas responsables de tout dommage ou blessure causé du fait que toute personne ait utilisé cet équipement de façon irrégulière. Le produit ne doit être exploité que par quelqu'un de plus de 18 ans, saine d'esprit, et pas sous l'influence d'une drogue ou d'alcool, qui a été formé pour utiliser cette machine correctement, et est vêtu de vêtements de sécurité approprié. Toute modification de la machine annule toute garantie, et peut causer un préjudice à des personnes utilisant la machine ou des personnes à proximité de la machine pendant son fonctionnement.

VÉRIFIEZ LE COLIS DÈS RÉCEPTION

Dès réception d'une expédition d'Omcan veuillez inspecter pour dommages externes. Si aucun dommage n'est visible sur l'emballage externe, ouvrez le carton afin de s'assurer que tous les éléments commandés sont dans la boîte, et il n'y a aucun dommage dissimulé à la machine. Si le colis n'a subi aucune mauvaises manipulations, de bosses ou de dommages (visible ou cachée), notez-le sur le bond de livraison avant d'accepter la livraison et contactez Omcan dans les 24 heures qui suivent, pour que nous puissions engager une réclamation auprès du transporteur. Un rapport détaillé sur l'étendue des dommages causés à la machine doit être rempli dans un délai de trois jours, à compter de la date de livraison indiquée dans les documents d'expédition. Omcan n'a aucun droit de recours pour les produits endommagés qui ont été expédiés ou cueilli par un tiers transporteur.

General Information

Avant d'utiliser n'importe quel équipement, toujours lire et vous familiariser avec toutes les opérations et les consignes de sécurité.

Omcan voudrais vous remercier d'avoir choisi cette machine. Il est primordial de conserver ces instructions pour une référence ultérieure. Également conservez la boîte originale et l'emballage pour l'expédition de l'équipement si l'entretien ou le retour de la machine est nécessaire.

Omcan Empresa De Fabricacion Y Distribucion Inc. Y Maquinaria De Alimentos De America, Inc. dba Omcan y Omcan Inc. no son responsables de ningun daño o perjuicio causado por cualquier persona inadecuada o el uso descuidado de este equipo. El producto solo podra ser operado por una persona mayor de 18 años, en su sano juicio y no bajo alguna influencia de droga o alcohol, y que este ha sido entrenado en el correcto funcionamiento de esta máquina, y ésta usando ropa apropiada y autorizada. Cualquier modificación a la máquina anula la garantía y puede causar daños a las personas usando la máquina mientras esta en el funcionamiento.

REVISE EL PAQUETE A SU LLEGADA

Tras la recepcion de un envio Omcan favor inspeccionar daños externos. Si no hay daños evidentes en el empaque exterior, Habra el carton para asegurarse que todos los articulos solicitados estén dentro de la caja y no encuentre daños ocultos en la máquina. Si el paquete ha sufrido un manejo de poco cuidado, golpes o daños (visible o oculto) por favor anote en la factura antes de aceptar la entrega y contacte Omcan dentro de las 24 horas, de modo que podamos iniciar una reclamación con la compañía. Un informe detallado sobre los daños causados a la máquina debe ser llenado en el plazo de tres días, desde la fecha de entrega que se muestra en los documentos de envío. Omcan no tiene ningun recurso por productos dañados que se enviaron a recoger por terceros.

Antes de utilizar cualquier equipo, siempre lea y familiarizarse con todas las instrucciones de funcionamiento y seguridad.

Omcan le gustaría darle las gracias por la compra de esta máquina. Es de la mayor importancia para salvar estas instrucciones para futuras consultas. Además, guarda la caja original y el embalaje para el envío del equipo si servicio técnico o devolución de la máquina que se requiere.

Safety and Warranty

LIMITS OF USE – SAFETY NORMS

These machine were designed and built to slice foodstuff in compliance to the norms of the CE 2006/95/EEC, 93/68/EEC, 2006/42/EEC, 2002/72/EEC, 2004/108 CE, REG 1935/2004/EEC, 2002/95/CE (RoHS) and to the following regulations EN1974, EN ISO12100-1, EN ISO12100-2, EN 294, EN60204-1, EN60335-1, EN60335-2-64.

Safety and Warranty

GENERAL SAFETY REGULATIONS

The slicers must be used only by suitably trained personnel. Furthermore, this personnel must have read this manual carefully. In particular, please comply to the following instructions:

- Install the machine according to the instructions contained in the “Installation” section.
- Do not modify nor exclude the mechanical and electrical safety devices.
- Do not use the machine with improvised connections, or provisional or non insulated cables.
- Check the power cable and gland plate on the machine body regularly and when necessary have them replaced by qualified personnel.
- In case of anomalies, defective operation, incorrect movement, unusual noise, etc stop the machine immediately.
- Before cleaning or servicing, disconnect the machine from the mains.
- Always use scratch-proof and non-slip gloves during cleaning or maintenance.
- Lay or remove the goods to be sliced on the sliding plate only when the latter is completely pushed back and the thickness control knob positioned to 0.
- To move the carriage tray when slicing, use the handle or the product grip handle.
- For extraordinary maintenance (to replace the sharpener wheels, the blade, or others) please contact the manufacturer or qualified and duly authorized personnel.
- Avoid running the slicers with no product on it.
- The slicers are equipped with a ventilated motor. Extended continual use is not recommended. Let the motor cool down after 30 minutes of use.

MANUFACTURER’S WARRANTY AND LIABILITY

The manufacturer’s warranty covering the good functioning of the machines and their compliance to the service for which they have been designed depends on the correct application of the instructions contained in this manual. The Manufacturer assumes no liability either direct or indirect deriving from:

- Failure to comply with the instructions contained in this manual.
- Use of the machine by personnel who has not read or fully understood the content of this manual.
- Use not complying to the specific norms currently applicable in the country of installation.
- Unauthorized modifications and/or repairs.
- Use of non original accessories or spare parts.
- Exceptional events.

ENVIRONMENTAL CONDITIONS OF USE

Temperature: from -5°C and 40°C / 23°F and 104°F.
Relative humidity: max 95%.

OPENING THE BOX

On reception check packaging integrity, otherwise inform the forwarding agent or the area agent immediately. To unpack the machine, proceed as follows:

- Open the box and remove your copy of the manual of use and maintenance, then proceed according to the

Safety and Warranty

instructions found on that manual.

- Lift the machine still wrapped in a transparent polyethylene sheet and extract it from the box.
- Now check the box content and make sure it corresponds to what shown on the external label.

1 YEAR PARTS AND LABOUR BENCH WARRANTY

Within the warranty period, contact Omcan Inc. at 1-800-465-0234 to schedule a drop off to either an Omcan authorized service depot in the area, or to an Omcan Service warehouse to repair the equipment.

Unauthorized maintenance will void the warranty. Warranty covers electrical and part failures, not improper use.

Please see www.omcan.com/warranty.html for complete info.

WARNING:

The packaging components (cardboard, polyethylene, and others) are classified as normal solid urban waste and can therefore be disposed of without difficulty.

In any case, for suitable recycling, we suggest disposing of the products separately (differentiated waste) according to the current norms.

DO NOT DISCARD ANY PACKAGING MATERIALS IN THE ENVIRONMENT!

Technical Specifications

The machine is essentially made of a base supporting a circular blade mounted in a tilted position. This blade is driven by an electrical motor to slice foodstuffs. The machine is equipped with a carriage holding a product tray and sliding on a bar mounted under the base top, parallel to the blade. Slice thickness is adjusted by means of a gauge plate mounted in front of the blade. This plate, against which rests the product to be sliced is moved transversely with respect to the blade by a value corresponding to the desired slice thickness. The product is fed to the machine (towards the gauge plate) by gravity. All the machine components are made of polished and anodically oxidized aluminium alloy, of stainless steel and food grade plastic material. The blade is driven by an electrical motor, transmission is by means of a longitudinally grooved belt. The machine is started and stopped by a control button or switch provided with auxiliary circuit preventing accidental restarts after an outage. Some of the machine models have a user-friendly and safe built-in blade sharpener.

MECHANICAL AND ELECTRICAL SAFETY DEVICES

The following mechanical safety devices were installed:

- A series of aluminium and transparent plastic guards on the product carriage.

Technical Specifications

On request the following are available:

- Safety micro-switch preventing the motor from starting when the blade guard is removed.

WARNING: RESIDUAL RISKS

Notwithstanding all the possible cautions taken during the design and the construction of the machine, residual risks (cutting) still exist during use or during cleaning or maintenance. Therefore be careful and **PAY THE UTMOST ATTENTION** to what you are doing. **DO NOT** use the machine if you are not in perfect psychological and physical conditions. **DO NOT ALLOW** anyone near the machine when it is in use. **ALWAYS** wear gloves that can resist cuts or tears when cleaning, lubricating or sharpening the blade. Slice only the products mentioned as sliceable. **NEVER** try to slice products that have been mentioned as non sliceable.

ACCESSORIES

If not otherwise defined at the moment of order, the machines are supplied together with the following:

- EU conformity declaration;
- Instructions manual for installation, use and maintenance.

PRODUCTS THAT CAN BE SLICED

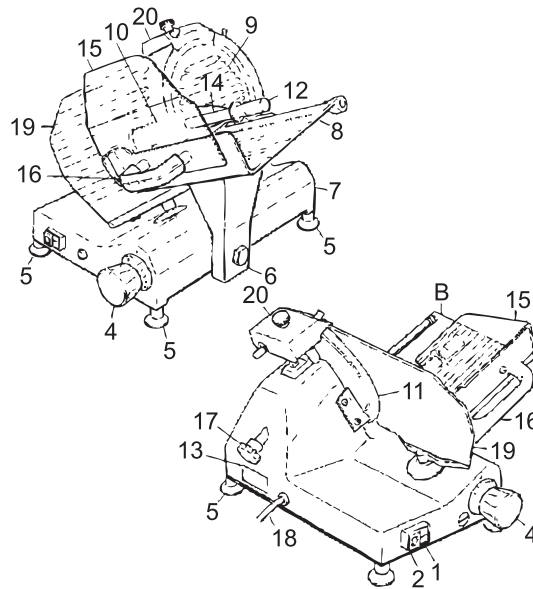
- All types of cold cuts (raw, cooked, smoked).
- Meat without bone (raw or cooked, at a temperature not less than + 3 °C).
- Vegetables (all types).

PRODUCTS THAT MUST NOT BE SLICED:

- Frozen or deep-frozen food.
- Food containing bones (meat or fish).
- Any other non-food product.
- Cheese.

Installation

MAIN COMPONENTS



1. Startup Button (White or Green)	2. Stop Button (Black or Red)	3. N.A.	4. Slice Thickness Control Knob
5. Adjustable Foot	6. Carriage Tray Support	7. Base	8. Product Tray
9. Blade Plate	10. Product Grip	11. Blade	12. Product Grip Handle
13. Manufacturer Identification Plate, Machine Data and UE Marks	14. Pusher Plate Extension	15. Product Tray Hand Protection	16. Product Tray Handle
17. Blade Plate Tie-Rod	18. Supply Cord	19. Gauge Plate	20. Sharpener

Illustrations may differ from actual machines.

INSTALLING THE MACHINE

Position the machine on a well leveled, smooth and dry top suitably dimensioned to withstand the machine weight.

ELECTRICAL CONNECTION

Install the machine near a compliant outlet derived from a system meeting the local norms.

The user is responsible for ascertaining that the electrical system is suitably dimensioned and functions correctly (supply line, outlet, distribution panel, differential protecting breaker, grounding).

Before carrying out the connection ascertain that the mains characteristics correspondent to those indicated

on the machine plate.

COMMANDS

START AND STOP BUTTONS / SWITCHES

- Turn switch or press the white or green button (1) to start running the blade.
- The light turns on to indicate that the machine works correctly.
- Turn switch or press the red or black button to stop the blade.

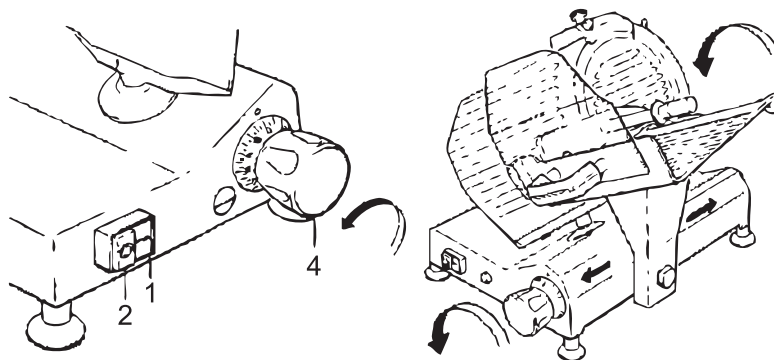
Slice thickness can be adjusted by turning the graduated knob (4) counterclockwise.

Thickness adjustment range: see paragraph "Technical description and conditions of use".

FUNCTIONING TEST AND BLADE ROTATION DIRECTION

Start the machine and check whether the light is on; make sure that the blade rotates in the direction indicated by the arrow (counterclockwise if you look at the machine from the blade plate side).

- Ascertain that the carriage and the product grip slide correctly.
- Ascertain that the gauge plate works and adjust thickness to desired value.



Operation

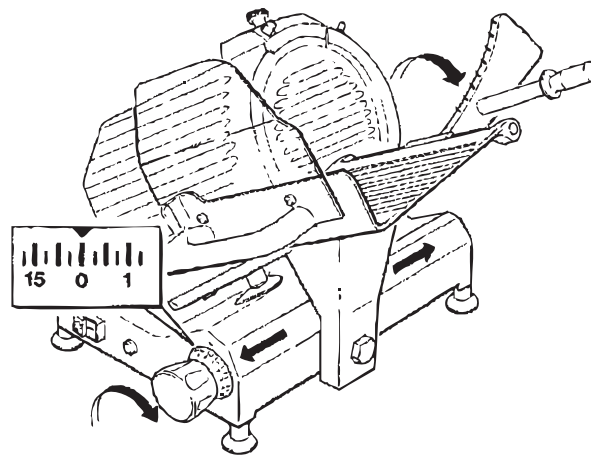
USING THE MACHINE

LOADING THE PRODUCT ON THE TRAY AND SLICING

- Ascertain that the thickness control knob is correctly positioned to '0'.
- Draw back the carriage completely (towards the operator) to loading position.
- Lift the product grip by pulling it away by 10 cm from the blade and put it in rest position.
- Lay the product to be sliced against the guide plate on the operator side.

Operation

- Secure by means of the product grip by exerting a slight pressure.
- Adjust the thickness gauge. Start the blade by turning the switch or by pressing on the white or green button.
- Grip the handle affixed onto the plate and start the forward and backward cutting movement. The product travels towards the guide plate by gravity.
- When the product weight or its dimensions do not provide a satisfactory cut by effect of the gravity, use the product grip handle.
- When finished, return the thickness control knob to '0' and draw the carriage back.
- Stop the blade by pressing the black or red button.



Maintenance

CLEANING THE SLICER

GENERAL

The machine must always be accurately cleaned **at least once a day**, and more often if necessary. **Always use protective gloves.**

DISASSEMBLING THE MACHINE FOR CLEANING

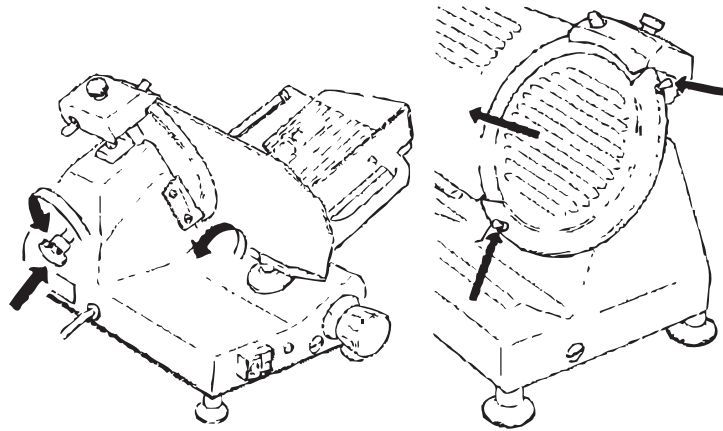
- Disconnect the plug from the mains.
- Turn the gauge plate knob to '0'.
- Remove the various components as described in the following paragraphs.
- Unscrew (counterclockwise) the blade guard tie-rod.
- If the blade guard is blocked, press on the rod knob to move it a little.
- Extract the rod and remove the blade guard using for this operation only the side knobs.
- Loosen and remove the two fixing screws with knurled head.
- Remove the slice guard.

Maintenance

To clean the machine body and the blade use only a cloth damped with water and biodegradable lathery detergent having 7-8 pH and at a temperature not below 30°C/86°F. Do not clean the machine by using water or vapor sprays or similar systems.

WARNING:

Use scratch-proof and non-slip gloves to carry out the following operations. Proceed carefully and pay attention to what you are doing. **DANGER OF CUTTING!**



REASSEMBLING THE MACHINE

Proceed as indicated for the previous operations but in reverse order.

GENERAL MAINTENANCE

The operator is allowed to perform the following maintenance operations:

- **Blade sharpening:** regularly (intervals and duration obviously depend on the use of the machine, time of use and type of product sliced).
- **Lubrication of carriage sliding guides:** once a week.
- **Lubrication of product grip sliding bar:** once a week.
- **Adjustment of motor belt tension:** as required.
- **Checking the power supply cord conditions and of the gland plate:** from time to time.

WARNING

Maintenance must always be carried out when the **machine is disconnected from the mains** and if no other position is specifically required, with the thickness control knob on '0'.

The following maintenance operations are to be entrusted only to **personnel authorized by the manufacturer:**

- Replacing the blade.
- Replacing the sharpener stones.

Maintenance

- Replacing the motor transmission belt.
- Replacing electrical system components under the machine base.
- Repairing structural parts, repairing the components under the base.

BLADE SHARPENING

Before proceeding, clean the machine accurately as explained in the previous paragraphs.

WARNING

Sharpening can be done only up to 12 mm of the blade diameter value. **Beyond this value, the BLADE MUST BE REPLACED ONLY by personnel AUTHORIZED BY THE MANUFACTURER.**

SHARPENING VERSIONS WITH BUILT-IN SHARPENER

To sharpen the blade periodically as soon as the cutting capacity decreases. Please proceed as per the following instructions:

1. After disconnecting from the mains, clean the blade accurately using denaturized alcohol to degrease it.
2. Loosen the knob and turn the sharpener by 180° and insert the wheels on the slicer blade. Relock the knob.
3. Operate the switch and press the button.
4. Allow the blade to rotate for about 30 to 40 seconds then use the switch to stop it. Brush a pencil lightly on the external side of the blade to check for a slight spud.

We advise performing this operation with the utmost care as the blade is extremely sharp.

5. If some spud is found, operate the switch again for 3 to 4 seconds by pressing the buttons 4 and 5 at the same time.

DO NOT PROLONG THIS OPERATION BEYOND THE FEW SECONDS MENTIONED OTHERWISE THE BLADE EDGE WILL WARP.

6. After completing sharpening, we advise cleaning the wheels using a small brush and alcohol.
7. Now return the sharpener to its original position.

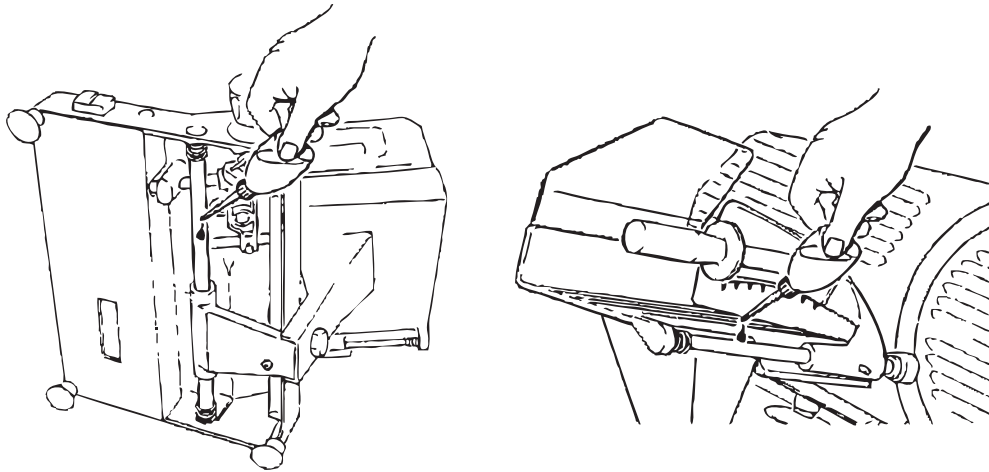
LUBRICATION

Carriage sliding guides product grip (once a week)

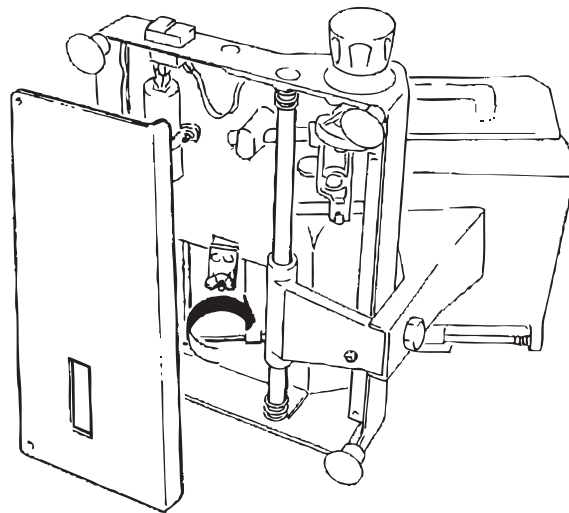
Use only food grade mineral oil, or use white Vaseline oil. DO NOT USE VEGETABLE OILS.

- Spread a small quantity of oil on the bar and move the assembly 3 or 4 times.
Clean as required to remove excess of oil.

ADJUSTING THE MOTOR BELT TENSION



After a given period of service an unusual noise may occur because of the belt bedding. In this case, tighten the belt-stretcher on the side of the motor under the machine base.



Troubleshooting

The table below indicates the most common problems that may arise during slicing and the necessary remedies.

PROBLEM	POSSIBLE CAUSE	REMEDY
The machine does not start when the white or green button is pressed.	No power supply.	Ascertain that the plug is correctly inserted.
	The blade guard is not correctly positioned.	Check.
	Defective electrical control circuit.	Call technical assistance.
When the switch is turned or when the white or green button is pressed, the machine starts, but the white functioning light is not on.	Defective indicator.	Do not use the machine when the pilot lamp is not on; Call technical assistance.
The machine starts, but there are vibrations. The motor is very hot and there is a bad smell.	Defective motor or transmission.	Do not use the machine, call technical assistance.
Under strain, the machine slows down or comes to a stop.	Defective transmission.	Call technical assistance.
Excessive resistance to product slicing.	The blade is blunt.	Sharpen the blade.
The slices are ragged and/or shaped irregularly.	The blade is blunt.	Sharpen the blade.
	The blade is excessively worn out.	Call technical assistance.
Unsatisfactory blade sharpening.	Worn wheels.	Replace the wheels; call technical assistance.
The product tray does not slide.	Guides are insufficiently lubricated.	Lubricate.
When the switch is turned or when the black or red button is pressed, the machine does not stop.	Defective electrical control circuit.	Stop the machine, unplug from mains and call technical assistance.

DISMANTLING THE SLICER

These machines are made of the following elements:

- Aluminium frame.
- Stainless steel fittings and others.
- Electrical parts and cords.
- Electrical motor.
- Plastic materials, etc.

Whether dismantling is entrusted to third parties or done in-house (in that last case you will have to separate the various materials) please note that disposal of the materials can only be carried out by duly authorized businesses. In any case, please comply to the current norms of your country.

Troubleshooting

WARNING

In any case, to remove the blade and dispose of it, you must contact the manufacturer or personnel duly authorized by the manufacturer. NEVER DISPOSE OF WASTE IN AREAS WHERE ACCESS IS NOT DELIMITED BY BARRIERS AND FORBIDDEN BY WARNING SIGNS AS THIS WASTE REPRESENTS A SERIOUS DANGER, ESPECIALLY FOR CHILDREN AND ANIMALS. ANY RESPONSIBILITY ARISING OUT OF INCORRECT DISPOSAL FALLS ON THE OWNER.

REFERENCE

Item Number	Model Number	Description	Manufacturer Model Number
31342	MS-IT-0220-C	Meat Slicer Belt Driven 9" / 220mm Blade 0.25 HP / 186 W 110V/60/1 CE CSST	220 CE
31343	MS-IT-0250-C	Meat Slicer Belt Driven 10" / 250mm Blade 0.3 HP / 224 W 120V/60/1 CE CSST	250 CE
34344	MS-IT-0300-C	Meat Slicer Belt Driven 12" / 300mm Blade 0.35 HP / 261 W 110V/60/1 CE CSST	300 CE

Instructions Français

SÉCURITÉ ET GARANTIE

LIMITES D'UTILISATION - NORMES DE SÉCURITÉ

Les machines ont été conçu et construit pour trancher des produits alimentaires en conformité aux normes de la CE 2006/95 / CEE, 93/68 / CEE, 2006/42 / CEE, 2002/72 / CEE, 2004/108 CE, REG 1935/2004 / CEE, 2002/95 / CE (RoHS) et les règlements suivants EN1974, EN ISO12100-1, EN ISO12100-2, EN 294, EN 60204-1, EN60335-1, EN60335-2-64.

RÈGLES DE SÉCURITÉ

Les trancheuses doivent être utilisés que par un personnel qualifié. En outre, ce personnel doit avoir lu attentivement ce manuel. En particulier, s'il vous plaît respecter les instructions suivantes:

- Installez la machine selon les instructions contenues dans la section «Installation».
- Ne pas modifier ni exclure les dispositifs de sécurité mécaniques et électriques.
- Ne pas utiliser la machine avec des connexions électriques, câbles provisoires ou non isolés.
- Vérifiez le câble d'alimentation et la plaque de la glande sur le corps de la machine régulièrement et si nécessaire de les remplacer par du personnel qualifié.
- En cas d'anomalies, d'un fonctionnement défectueux, mouvement incorrecte, un bruit inhabituel, etc arrêter

Instructions Français

immédiatement la machine.

- Avant le nettoyage ou d'entretien, débranchez l'appareil du secteur.
- Toujours utiliser des gants anti-rayures et anti-dérapantes lors du nettoyage ou de la maintenance.
- Laïques ou supprimer les produits à trancher sur la plaque coulissante seulement lorsque celui-ci est complètement repoussé et le bouton de contrôle de l'épaisseur positionné à 0.
- Pour déplacer le plateau du chariot lors du tranchage, utilisez la poignée ou la poignée de préhension du produit.
- Pour l'entretien extraordinaire (remplacement des meules d'affûtage, la lame, ou autres) s'il vous plaît contacter le fabricant ou du personnel qualifié et dûment autorisés.
- Évitez de faire fonctionner les trancheuses sans produit sur elle.
- Les trancheuses sont équipées d'un moteur ventilé. Utilisation continue prolongée est déconseillée. Laissez refroidir le moteur après 30 minutes d'utilisation.

GARANTIE ET RESPONSABILITÉ DU FABRICANT

La garantie du fabricant couvrant le bon fonctionnement des machines et de leur conformité au service pour lequel ils ont été conçus dépend de l'application correcte des instructions contenues dans ce manuel. Le fabricant décline toute responsabilité directe ou indirecte découlant de:

- Défaut de se conformer aux instructions contenues dans ce manuel.
- L'utilisation de la machine par du personnel qui n'a pas lu ou bien compris le contenu de ce manuel.
- Utilisez ne se conformant pas aux normes spécifiques en vigueur dans le pays d'installation.
- Modifications et / ou réparations non autorisées.
- L'utilisation d'accessoires non d'origine ou des pièces de rechange.
- Événements exceptionnels.

CONDITIONS D'UTILISATION DE L'ENVIRONNEMENT

Température: de -5 ° C et 40 ° C / 23 ° F et 104 ° F.

Humidité relative: 95% max.

OUVERTURE DE LA BOÎTE

A la réception contrôle d'intégrité de l'emballage, sinon informer le commissionnaire de transport ou de l'agent de zone immédiatement. Pour débiller la machine, procéder comme suit:

- Ouvrez la boîte et à retirer votre copie du manuel d'utilisation et d'entretien, puis procéder selon les indications contenues dans le manuel.
- Soulever la machine encore enveloppé dans une feuille de polyéthylène transparent et l'extraire de la boîte.
- Maintenant, vérifiez le contenu de la boîte et assurez-vous qu'il correspond à ce qui figure sur l'étiquette externe.

1 AN PIÈCES ET TRAVAIL BANC GARANTIE

Dans la période de garantie, contacter Omcan Inc. au 1-800-465-0234 pour planifier une déposer soit

Instructions Français

un dépôt Omcan de service autorisé dans la zone, ou à un entrepôt de service Omcan de réparer l'équipement.

Entretien non autorisée annulera la garantie. La garantie couvre les pannes électriques et de pièces, pas une mauvaise utilisation.

S'il vous plaît voir www.omcan.com/warranty.html pour info complète.

ATTENTION:

Les matériaux d'emballage (carton, de polyéthylène et autres) sont classés comme déchets solides urbains normale et peuvent donc être éliminés sans difficulté.

En tout cas, pour le recyclage approprié, nous suggérons au rebut des produits séparément (différenciée des déchets) selon les normes actuelles.

NE PAS JETER MATÉRIAUX D'EMBALLAGE DANS L'ENVIRONNEMENT!

SPÉCIFICATIONS TECHNIQUES

La machine se compose essentiellement d'une base supportant une lame circulaire montée en position inclinée. Cette lame est entraînée par un moteur électrique pour trancher des produits alimentaires. La machine est équipée d'un chariot tenant un plateau de produits et de coulissement sur une barre montée sous le plateau de base et parallèle à la lame. Tranche épaisseur est ajustée au moyen d'une plaque de réglage montée à l'avant de la lame. Cette plaque, contre laquelle repose le produit à trancher est déplacé transversalement par rapport à la lame d'une valeur correspondant à l'épaisseur de coupe souhaitée. Le produit est introduit dans la machine (vers la plaque de pression manométrique) par gravité. Tous les composants de la machine sont réalisées en alliage d'aluminium poli et anodisé, d'acier inoxydable et une matière plastique de qualité alimentaire. La lame est entraînée par un moteur électrique, la transmission se fait par l'intermédiaire d'une courroie rainurée longitudinalement. La machine est lancée et arrêtée par un bouton de commande ou un interrupteur fourni avec circuit auxiliaire empêchant un redémarrage intempestif après une coupure de courant. Certains des modèles de machines ont un taille-crayon intégré de la lame et sûr conviviale.

DISPOSITIFS SÉCURITÉ ÉLECTRIQUE ET MÉCANIQUE

Les dispositifs de sécurité mécaniques suivants ont été installés:

- Une série de gardes de plastique transparent et aluminium sur le chariot de produit.

Sur demande, l'suivantes sont disponibles:

- Microcontact de sécurité empêchant le moteur de démarrer lorsque le protège-lame est retiré.

Instructions Français

AVERTISSEMENT: RISQUES RESIDUELS

Malgré toutes les précautions possibles prises lors de la conception et de la construction de la machine, les risques résiduels (de coupe) existent encore en cours d'utilisation ou pendant le nettoyage ou l'entretien. Par conséquent être prudent et de payer la plus grande attention à ce que vous faites. **NE PAS** utiliser la machine si vous n'êtes pas dans des conditions psychologiques et physiques parfaits. Ne laissez personne près de la machine quand elle est en cours d'utilisation. **TOUJOURS** porter des gants qui peuvent résister à des coupures ou des larmes quand le nettoyage, la lubrification ou affûtage de la lame. Trancher uniquement les produits mentionnés comme tranchable. **JAMAIS** essayer de couper des produits qui ont été mentionnés comme non tranchable.

ACCESSOIRES

Si pas autrement définis au moment de la commande, les machines sont fournies avec les documents suivants:

- Déclaration de conformité de l'UE;
- Manuel d'instructions pour l'installation, l'utilisation et la maintenance.

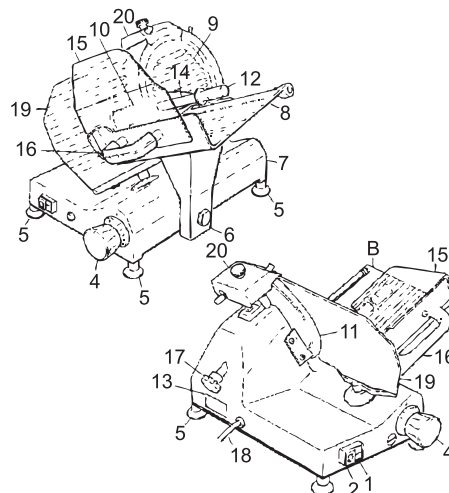
PRODUITS QUI PEUVENT ÊTRE TRANCHÉS

- Tous les types de charcuterie (crus, cuits, fumés).
- La viande sans os (crus ou cuits, à une température non inférieure à + 3 ° C).
- Légumes (tous types).

PRODUITS QUI NE DOIT PAS ÊTRE TRANCHÉS:

- Les aliments congelés ou surgelés.
- Les aliments contenant des os (viande ou poisson).
- Tout produit non alimentaire autre.
- Du fromage.

COMPOSANTS PRINCIPAUX



Instructions Français

1. Bouton de démarrage (blanc ou vert)	2. Bouton d'arrêt (noir ou rouge)	3. N.A.	4. Slice contrôle de l'épaisseur Knob
5. Pied réglable	6. Soutien chariot Plateau	7. Base	8. Plateau de produit
9. Plate lame	10. Grip Produit	11. Lame	12. Poignée de produit
13. Plaque d'identification du fabricant, distributeur données et UE Marques	14. Pusher plaque de rallonge	15. Produit Plateau Protection des mains	16. Poignée du tiroir de produit
17. Plate Lame Tie-Rod	18. Cordon d'alimentation	19. Jauge Plate	20. Taille crayon

Les illustrations peuvent différer des machines réelles.

INSTALLATION

INSTALLATION DE LA MACHINE

Placez la machine sur un bien nivelé, supérieure lisse et sec convenablement dimensionnée pour supporter le poids de la machine.

CONNEXION ÉLECTRIQUE

Installer la machine près d'une prise compatible dérivé d'un système répondant aux normes locales.

L'utilisateur est responsable pour déterminer que le système électrique est convenablement dimensionné et fonctionne correctement (ligne d'alimentation, de sortie, panneau de distribution, disjoncteur différentiel de protection, mise à la terre).

Avant d'effectuer le branchement vérifier que l'alimentation caractéristiques correspondant à celles indiquées sur la plaque de la machine.

COMMANDES

BOUTONS START ET STOP / COMMUTATEURS

- Tourner le commutateur ou appuyez sur le bouton blanc ou vert (1) pour commencer à courir la lame.
- La lumière allume pour indiquer que la machine fonctionne correctement.
- Tourner le commutateur ou appuyez sur le bouton rouge ou noir pour arrêter la lame.

Slice épaisseur peut être ajustée en tournant le bouton gradué (4) dans le sens antihoraire.

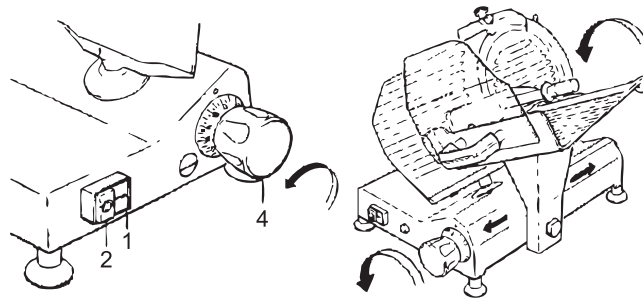
Plage de réglage Épaisseur: voir le paragraphe «description et les conditions d'utilisation technique».

Instructions Français

ESSAI DE FONCTIONNEMENT ET LAME SENS DE ROTATION

Démarrer la machine et vérifier si la lumière est allumée; assurez-vous que la lame tourne dans le sens indiqué par la flèche (dans le sens antihoraire, si vous regardez la machine du côté de la plaque de la lame).

- Vérifier que le transport et la poignée de produits glissent correctement.
- Vérifier que la plaque de calibrage fonctionne et ajuster l'épaisseur à la valeur souhaitée.



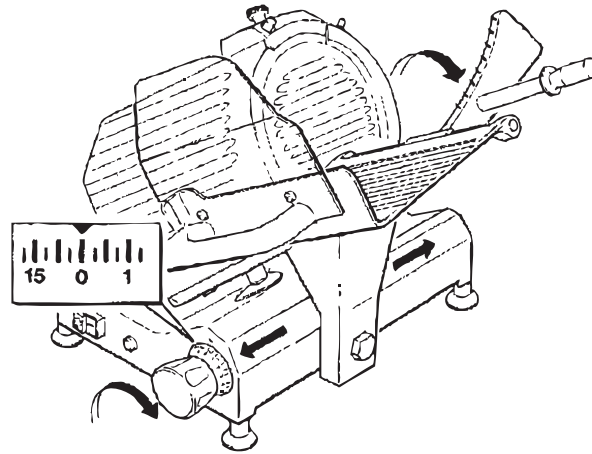
OPÉRATION

UTILISATION DE LA MACHINE

CHARGEMENT DU PRODUIT SUR LE PLATEAU ET SLICING

- Vérifier que le bouton de commande de l'épaisseur est correctement positionné à '0'.
- Reculer le chariot (vers l'opérateur) à la position de chargement.
- Soulevez la poignée du produit en l'écartant de 10 cm à partir de la lame et le mettre en position de repos.
- Poser le produit à trancher sur la plaque de guidage sur le côté de l'opérateur.
- Fixer au moyen de la prise du produit en exerçant une légère pression.
- Ajuster la jauge d'épaisseur. Lancer la lame en tournant le bouton ou en appuyant sur le bouton blanc ou vert.
- Saisir la poignée fixée sur la plaque et commencer le mouvement de coupe vers l'avant et vers l'arrière. Le produit se déplace vers la plaque de guidage par gravité.
- Lorsque le poids du produit ou de ses dimensions ne fournissent pas une coupe satisfaisante par l'effet de la gravité, utilisez la poignée de préhension du produit.
- Lorsque vous avez terminé, ramener le bouton de contrôle de l'épaisseur à '0' et reculer le chariot.
- Arrêter la lame en appuyant sur le bouton noir ou rouge.

Instructions Français



ENTRETIEN

NETTOYAGE DE LA COUPE

GÉNÉRAL

La machine doit être soigneusement effectuée au moins une fois par jour, et plus souvent si nécessaire. Toujours utiliser des gants de protection.

DÉMONTAGE DE LA MACHINE DE NETTOYAGE

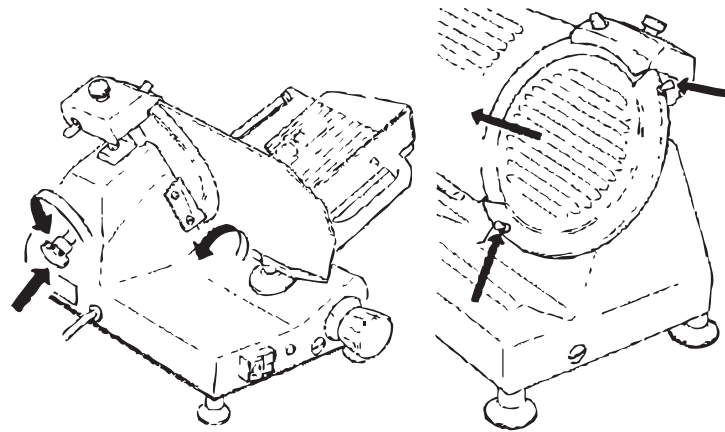
- Débrancher la fiche du secteur.
- Tourner la plaque de jauge savent à '0'.
- Retirez les différents composants tels que décrits dans les paragraphes suivants.
- Dévissez (dans le sens antihoraire) le protège-lame tirant.
- Si le protège-lame est bloquée, appuyez sur le bouton de la tige de se déplacer un peu.
- Extraire la tige et retirer la garde de lame à l'aide pour cette opération que les boutons latéraux.
- Desserrer et retirer les deux vis de fixation à tête moletée.
- Retirer la protection de la tranche.

Pour nettoyer le corps de la machine et de l'utilisation de la lame uniquement un chiffon imbibé d'eau et de détergent biodégradable ayant lathery 7-8 pH et à une température pas inférieure à 30 ° C / 86 ° F. Ne pas nettoyer la machine à l'aide de jets d'eau ou de vapeur ou de systèmes similaires.

Instructions Français

ATTENTION:

Utilisez anti-rayures et des gants antidérapants pour effectuer les opérations suivantes. Procédez avec précaution et faire attention à ce que vous faites. **DANGER DE COUPE!**



REMONTÉ LA MACHINE

Procédez comme indiqué pour les opérations précédentes, mais dans l'ordre inverse.

ENTRETIEN GÉNÉRAL

L'opérateur est autorisé à effectuer les opérations de maintenance suivantes:

- **Affûtage de lame:** régulièrement (intervalles et la durée dépend évidemment de l'utilisation de la machine, le temps d'utilisation et le type de produit en tranches).
- **Lubrification des guides de chariot:** une fois par semaine.
- **Lubrification d'adhérence du produit barre coulissante:** une fois par semaine.
- **Réglage de tension de la courroie moteur:** lorsque nécessaire.
- **Vérification des conditions de la moelle de l'alimentation et de la plaque glande:** de temps en temps.

ATTENTION

L'entretien doit toujours être effectué lorsque la machine est déconnectée du réseau et si aucun autre poste est spécifiquement requise, avec le bouton de contrôle de l'épaisseur sur '0'.

Les opérations de maintenance suivantes doivent être confiés qu'à du personnel autorisé par le fabricant:

- Remplacement de la lame.
- Remplacement des pierres de taille-crayon.
- Remplacement de la courroie de transmission de moteur.
- Remplacement de composants du système électrique sous la base de la machine.
- Réparation des pièces de structure, la réparation des composants sous la base.

Instructions Français

AFFÛTAGE

Avant de continuer, nettoyer la machine avec précision, comme expliqué dans les paragraphes précédents.

ATTENTION

Affûtage peut se faire que jusqu'à 12 mm de la valeur du diamètre de la lame. **Au-delà de cette valeur, la lame doit être remplacé que par du personnel autorisé PAR LE FABRICANT.**

AFFÛTAGE VERSIONS AVEC TAILLE-CRAYON INTÉGRÉ

Pour aiguiser la lame régulièrement dès que la capacité de coupe diminue. S'il vous plaît procéder selon les instructions suivantes:

1. Après avoir débranché former le réseau, nettoyer la lame en utilisant de l'alcool dénaturé pour la dégraisser.
2. Desserrer le bouton et tournez l'affûteur de 180 ° et insérer les roues sur la lame de trancheuse. Reverrouiller le bouton.
3. Actionner l'interrupteur et appuyez sur le bouton.
4. Laisser tourner la lame pendant environ 30 à 40 secondes puis utilisez l'interrupteur pour l'arrêter. Badigeonner légèrement un crayon sur le côté externe de la lame pour vérifier si une légère bavure.

Nous vous recommandons d'effectuer cette opération avec le plus grand soin que la lame est extrêmement forte.

5. Si certains de la bavure, actionner l'interrupteur à nouveau pendant 3 à 4 secondes en appuyant sur les boutons 4 et 5 dans le même temps.

NE PROLONGEZ PAS CETTE OPERATION AU-DELÀ DES QUELQUES SECONDES MENTION CONTRAIRE LE BORD DE LAME SE DÉFORMERA.

6. Après avoir effectué l'affûtage, nous vous conseillons de nettoyer les roues à l'aide d'une petite brosse et de l'alcool.
7. Maintenant, retournez l'affûteur à sa position initiale.

LUBRIFICATION

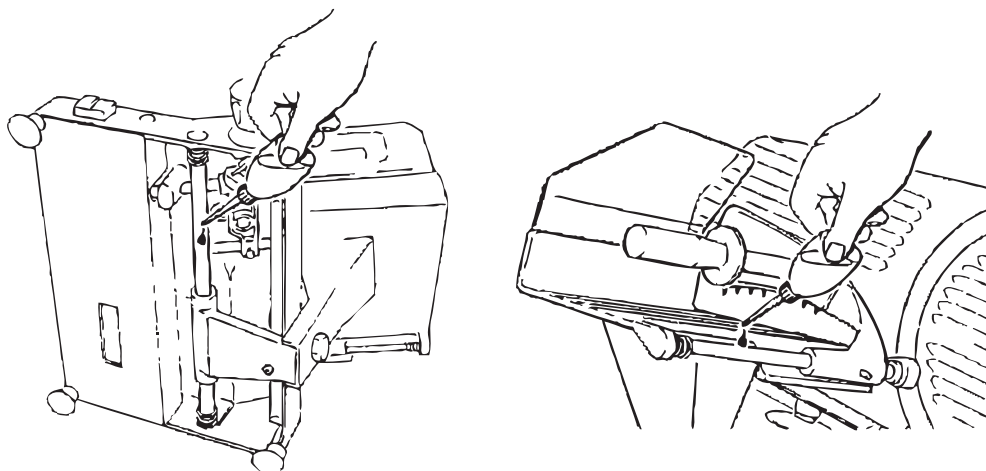
Carriage glissières produit poignée (une fois par semaine)

*Utilisez uniquement de l'huile minérale de qualité alimentaire, ou utiliser de l'huile blanche de vaseline. **NE PAS utiliser des huiles végétales.***

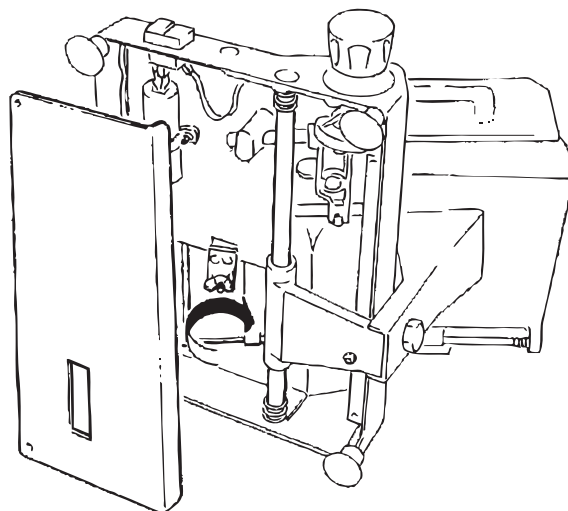
- Étendre une petite quantité d'huile sur la barre et déplacer l'ensemble 3 ou 4 fois. Nettoyer si nécessaire pour enlever l'excès d'huile.

Instructions Français

AJUSTEMENT DE LA TENSION MOTEUR COURROIE



Après une période de service donné un bruit inhabituel peut se produire en raison de la literie de ceinture. Dans ce cas, serrer la ceinture-brancard sur le côté du moteur sous la base de la machine.



DÉPANNAGE

Le tableau ci-dessous indique les problèmes les plus courants qui peuvent survenir au cours de tranchage et les mesures correctives nécessaires.

Instructions Français

PROBLÈME	CAUSE POSSIBLE	REMÉDIER
La machine ne démarre pas lorsque le bouton blanc ou vert est enfoncé.	Pas d'alimentation.	Vérifier que la prise est correctement insérée.
	La garde de lame est pas correctement positionné.	Chèque.
	Circuit de commande électrique défectueux.	Appelez l'assistance technique.
Lorsque le commutateur est activé ou lorsque le bouton blanc ou vert est enfoncé, la machine démarre, mais la lumière de fonctionnement blanc est pas.	Indicateur défectueux.	Ne pas utiliser la machine lorsque la lampe pilote est pas; Appelez l'assistance technique.
La machine démarre, mais il ya des vibrations. Le moteur est très chaud et il ya une mauvaise odeur.	Transmission ou moteur défectueux.	Ne pas utiliser la machine, appeler l'assistance technique.
Sous tension, la machine ralentit ou est à l'arrêt.	Transmission défectueuse.	Appelez l'assistance technique.
Une résistance excessive au produit tranchage.	La lame est émoussée.	Aiguiser la lame.
Les tranches sont en lambeaux et / ou de forme irrégulière.	La lame est émoussée.	Aiguiser la lame.
	La lame est trop usé.	Appelez l'assistance technique.
Insatisfaisant affûtage de la lame.	Roues usées.	Remplacer les roues; appeler l'assistance technique.
Le plateau du produit ne glisse pas.	Guides sont insuffisamment lubrifiés.	Lubrifier.
Lorsque le commutateur est activé ou lorsque le bouton noir ou rouge est enfoncé, la machine ne cesse pas.	Circuit de commande électrique défectueux.	Arrêtez la machine, débranchez le cordon secteur et appeler l'assistance technique.

DEMANTELEMENT DE LA TRANCHEUSE

Ces appareils sont les éléments suivants:

- Armature en aluminium.
- Acier Les raccords en acier et autres.
- Pièces et cordons électriques.
- Moteur électrique.
- Les matières plastiques, etc.

Que démantèlement est confiée à des tiers ou fait en interne (dans ce dernier cas, vous aurez à séparer les différents matériaux) s'il vous plaît noter que l'élimination des matériaux ne peut être effectuée par des entreprises dûment autorisées. En tout cas, s'il vous plaît conformer aux normes en vigueur dans votre pays.

Instructions Français

ATTENTION

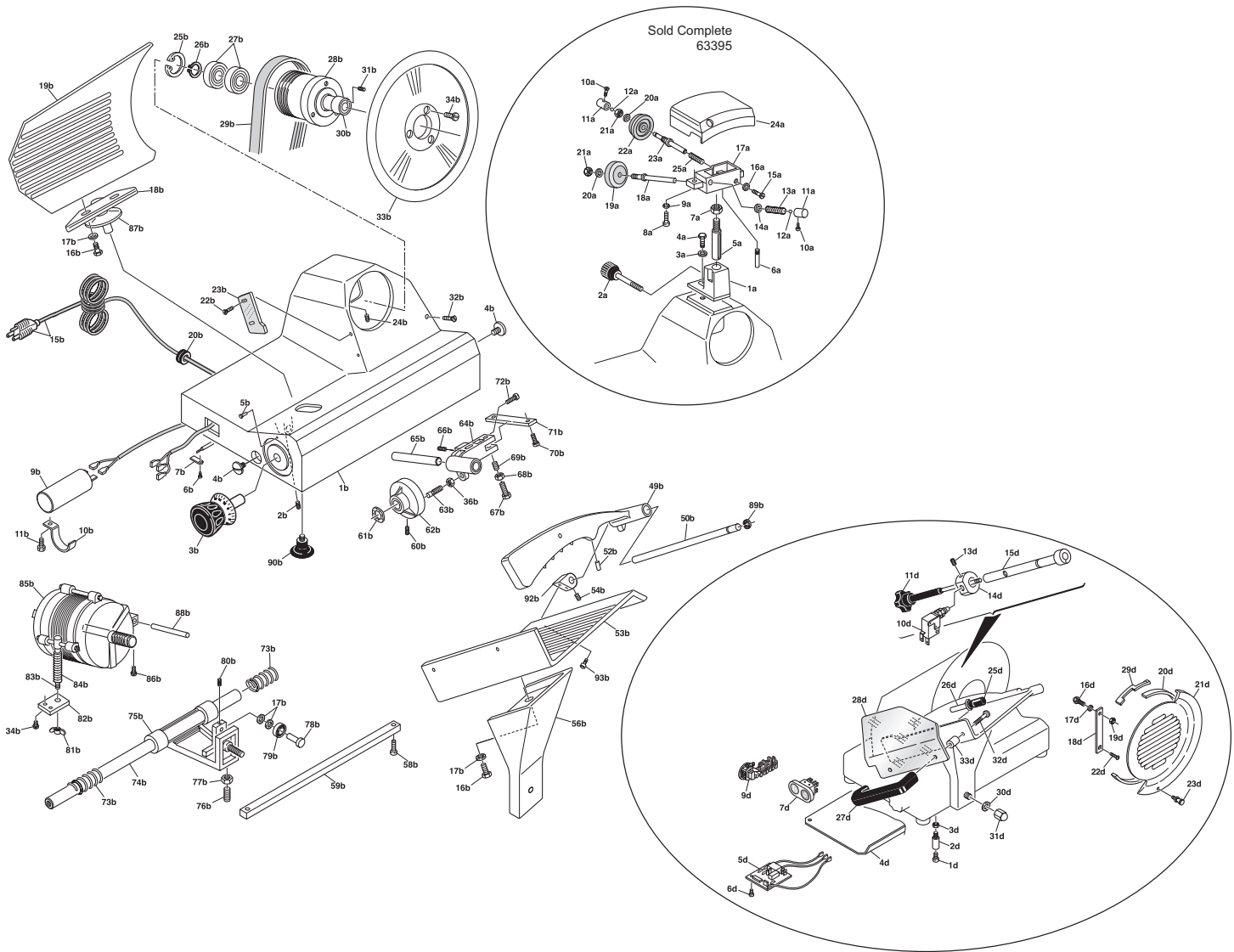
En tout cas, pour enlever la lame et en disposer, vous devez contacter le fabricant ou le personnel dûment autorisés par le fabricant. Ne jetez jamais les déchets dans les zones où l'accès est PAS délimitée par les barrières et interdits par des panneaux d'avertissement ces déchets représente un grave danger, NOTAMMENT POUR ENFANTS ET DES ANIMAUX. AUCUNE RESPONSABILITÉ DÉCOULANT HORS DE élimination incorrecte tombe sur LE PROPRIÉTAIRE.

RÉFÉRENCE

Numéro d'article	Numéro de modèle	La description	Numéro du fabricant Modèle
31342	MS-IT-0220-C	Courroie à la viande 9" / 220mm lame 0.25 HP / 186 W 110V/60/1 CE CSST	220 CE
31343	MS-IT-0250-C	Courroie à la viande 10" / 250mm lame 0.3 HP / 224 W 120V/60/1 CE CSST	250 CE
34344	MS-IT-0300-C	Courroie à la viande 12" / 300mm lame 0.35 HP / 261 W 110V/60/1 CE CSST	300 CE

Parts Breakdown

Model MS-IT-0220-C 31342



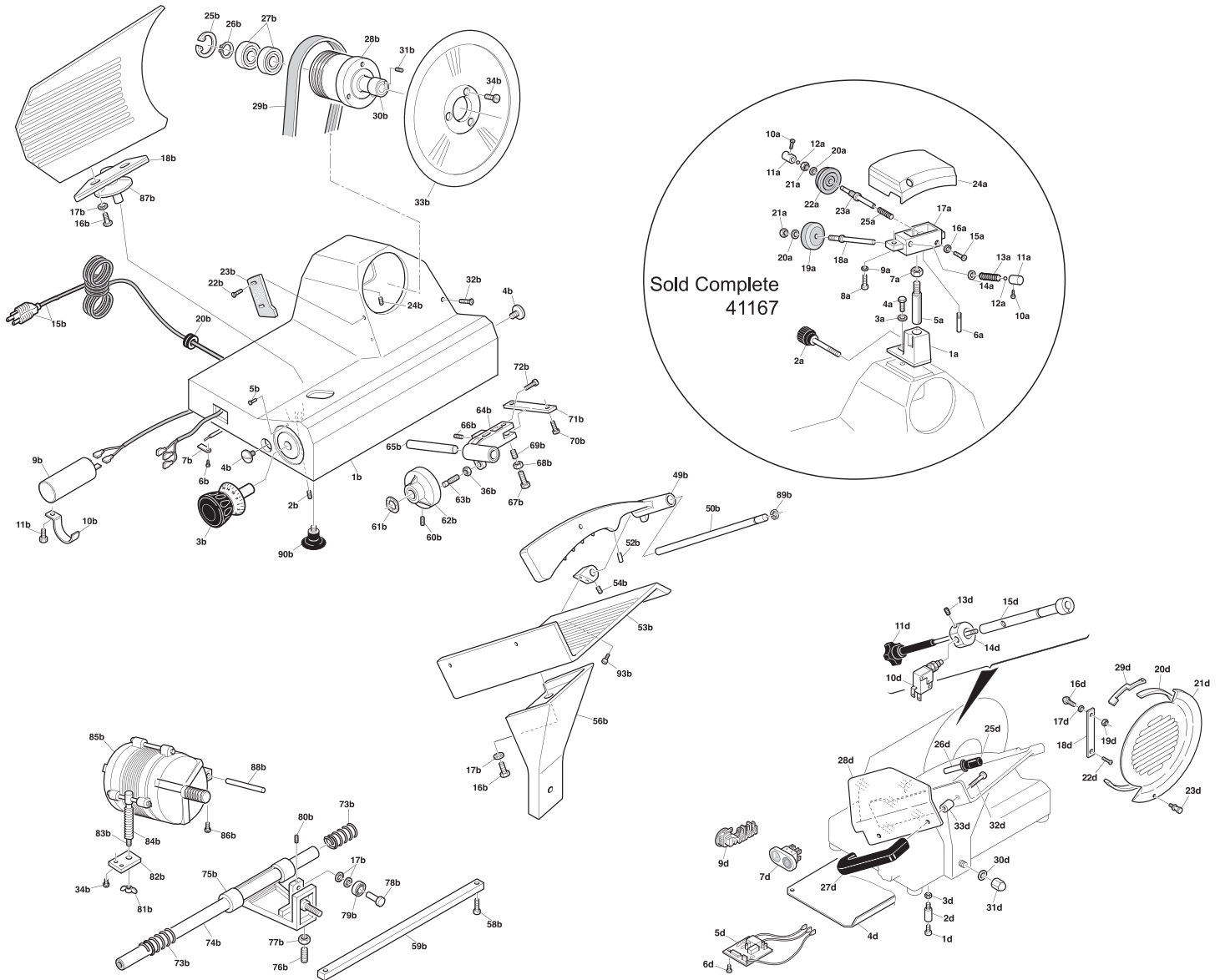
Parts Breakdown

Model MS-IT-0220-C 31342

Item No.	Description	Position	Item No.	Description	Position	Item No.	Description	Position
63275	Sharpener Base for 220F CE	A1	63288	Screw for 220F CE	B24	63339	Wing Nut for 220F CE	B81
63278	Thumb Screw for Sharpener for 220F CE	A2	63291	Circlip for 220F CE	B25	63342	Plate for 220F CE	B82
63281	Washer for 220F CE	A3	63294	Circlip for 220F CE	B26	63345	Motor Adjustment Bar for 220F CE	B83
63284	Screw for 220F CE	A4	63297	Pulley Bearing for 220F CE	B27	63348	Spring for Adjustment Bar for 220F CE	B84
63287	Sharpener Shaft for 220F CE	A5	63300	Pulley for 220F CE	B28	63351	Motor for 220F CE	B85
63290	Screw for 220F CE	A6	63303	Belt for 220F CE	B29	63354	Screw for 220F CE	B86
63293	Nut for 220F CE	A7	63306	Shaft for 220F CE	B30	63357	Ventosa for 220F CE	B87
63296	Screw for 220F CE	A8	63309	Screw for 220F CE	B31	63360	Motor Pin for 220F CE	B88
63299	Washer for 220F CE	A9	63312	Screw TC for 220F CE	B32	63363	Circlip for 220F CE	B89
63302	Screw for 220F CE	A10	63315	Blade for 220F CE	B33	63366	Foot for 220F CE	B90
63305	Push Knob for Sharpener for 220F CE	A11	63318	Screw for 220F CE	B34	63372	Pulley Assembly for 220F CE	B92
63308	Ball Bearing for 220F CE	A12	63323	Nut for 220F CE	B36	65279	Screw for 220F CE	D1
63311	Spring for 220F CE	A13	63359	Meat Grip for 220F CE	B49	65280	Spacer for 220F CE	D2
63314	Washer for 220F CE	A14	63362	Pin for 220F CE	B50	65281	Nut for 220F CE	D3
63317	Screw for 220F CE	A15	63368	Lock for 220F CE	B52	65282	Bottom Cover for 220F CE	D4
63320	Washer for 220F CE	A16	63371	Meat Plate for 220F CE	B53	72320	Switch for 220F CE	D5
63322	Sharpener Housing for 220F CE	A17	63374	Screw for 220F CE	B54	65283	Screw for 220F CE	D6
63325	Grinding Shaft for 220F CE	A18	78683	Meat Plate Support for 220F CE	B56	65284	On/Off Switch for 220F CE	D7
63328	Sharpening Stone for 220F CE	A19	63385	Screw for 220F CE	B58	65285	Terminal Block for 220F CE	D9
63331	Washer for 220F CE	A20	63388	Bar for 220F CE	B59	63378	Micro Switch for 220F CE	D10
63334	Nut for 220F CE	A21	63391	Screw for 220F CE	B60	63380	Tie Rod for Micro Switch for 220F CE	D11
63337	Honing Stone for 220F CE	A22	63394	Washer for 220F CE	B61	63383	Screw for 220F CE	D13
63340	Honing Shaft for 220F CE	A23	63277	Cam for 220F CE	B62	63386	Safety Switch Holder for 220F CE	D14
63343	Sharpener Cover for 220F CE	A24	63280	Cam Screw for 220F CE	B63	63389	Pivot Chuck for 220F CE	D15
63346	Spring for 220F CE	A25	63283	Cam Screw for 220F CE	B63	65286	Screw for 220F CE	D16
63349	Casing for 220F CE	B1	63286	Slide Support for 220F CE	B64	65287	Washer for 220F CE	D17
63352	Screw for 220F CE	B2	63289	Slide Support for 220F CE	B64	65288	Support Ring for 220F CE	D18
63355	Index Knob for 220F CE	B3	63292	Slide Pin for 220F CE	B65	65289	Nut for 220F CE	D19
63358	Screw for 220F CE	B4	63295	Screw TC for 220F CE	B66	65290	Ring for 220F CE	D20
63361	Rivet for 220F CE	B5	63298	Screw TC for 220F CE	B67	65291	Blade Cover for 220F CE	D21
63364	Screw for 220F CE	B6	63301	Nut for 220F CE	B68	65292	Screw for 220F CE	D22
63367	Plate for 220F CE	B7	63304	Screw Testa CACC for 220F CE	B69	79596	Blade Cover Knob for 220F CE	D23
63373	Capacitor for 220F CE	B9	63307	Screw for 220F CE	B70	78689	Meat Grip Handle for 220F CE	D25
63376	Clamp for 220F CE	B10	63310	Plate for 220F CE	B71	78691	Meat Grip Rod for 220F CE	D26
63379	Screw TC for 220F CE	B11	63313	Screw TC for 220F CE	B72	79570	U-Handle for 220F CE	D27
63381	Power Cord for 220F CE	B15	63316	Slide Bar Spring for 220F CE	B73	79571	Meat Tray Shield for 220F CE	D28
63384	Screw TE for 220F CE	B16	63319	Slide Bar for 220F CE	B74	65293	Safety Ring Extension for 220F CE	D29
63387	Washer for 220F CE	B17	78682	Carriage for 220F CE	B75	65294	Nut for 220F CE	D30
63390	Support for 220F CE	B18	63324	Carriage Screw for 220F CE	B76	65295	Nut with Cap for 220F CE	D31
63393	Thickness Adj. Plate for 220F CE	B19	63327	Carriage Nut for 220F CE	B77	65296	Threaded Screw for 220F CE	D32
63276	Strain Relief for 220F CE	B20	63330	Pin for 220F CE	B78	65297	Spacer for 220F CE	D33
63282	Deflector Screw for 220F CE	B22	63333	Bearing for 220F CE	B79	63392	Complete Meat Tray Assy. for 220F CE	
63285	Slice Deflector for 220F CE	B23	63336	Screw for 220F CE	B80	63395	Complete Sharpening Assy. for 220F CE	

Parts Breakdown

Model MS-IT-0250-C 31343



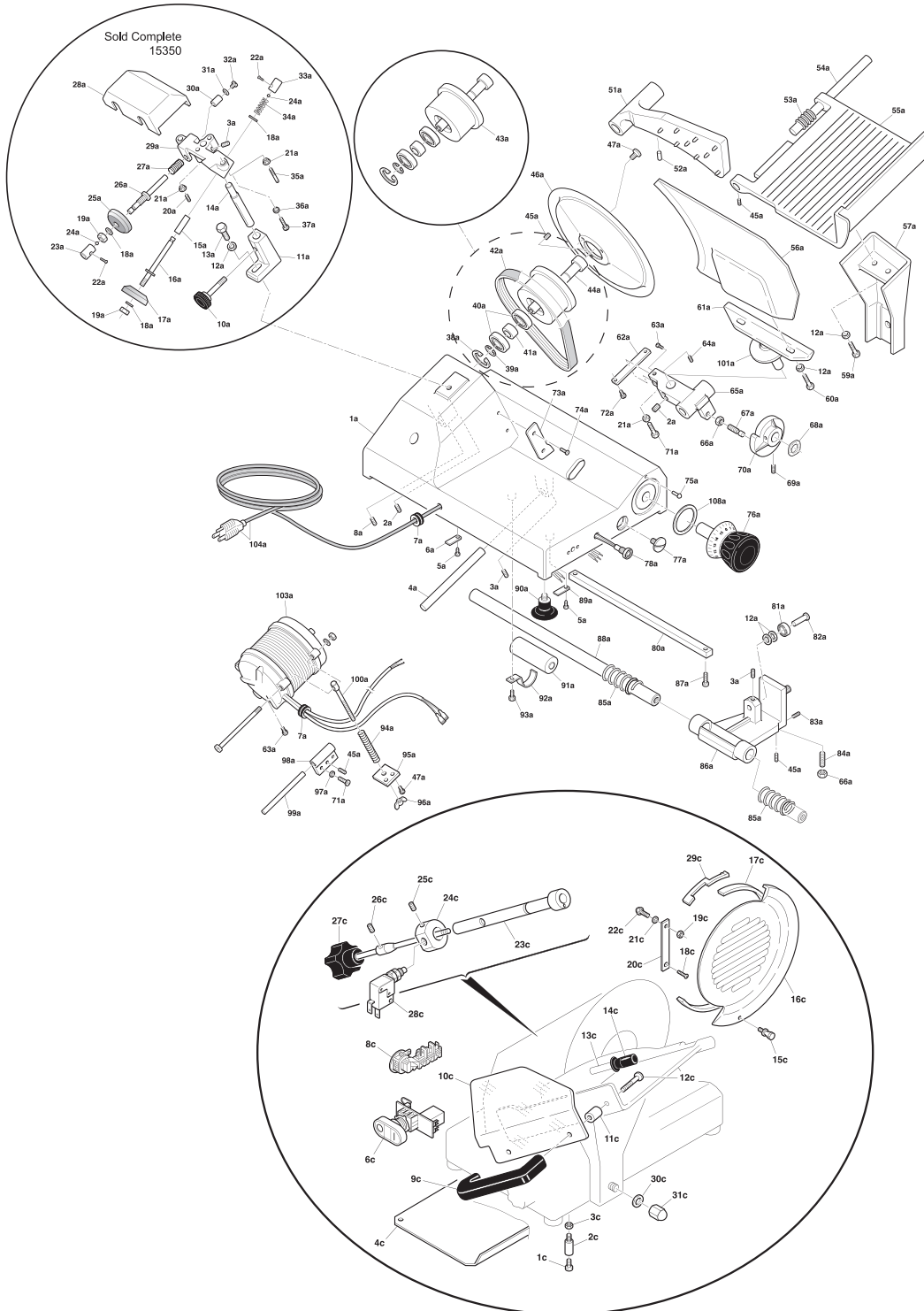
Parts Breakdown

Model MS-IT-0250-C 31343

Item No.	Description	Position	Item No.	Description	Position	Item No.	Description	Position
33968	Sharpener Base for 250E CE	A1	15098	Deflector Screw for 250E CE	B22	15134	Screw TC for 250E CE	B72
33969	Thumb Screw for Sharpener for 250E CE	A2	17687	Slice Deflector for 250E CE	B23	15135	Slide Bar Spring for 250E CE	B73
33970	Washer for 250E CE	A3	15099	Screw for 250E CE	B24	15136	Slide Bar for 250E CE	B74
33971	Screw for 250E CE	A4	33953	Circlip for 250E CE	B25	15137	Carriage for 250E CE	B75
33972	Sharpener Shaft for 250E CE	A5	33954	Circlip for 250E CE	B26	33966	Carriage Screw for 250E CE	B76
33973	Screw for 250E CE	A6	33955	Pulley Bearing for 250E CE	B27	15140	Carriage Nut for 250E CE	B77
33974	Nut for 250E CE	A7	33956	Pulley for 250E CE	B28	15141	Pin for 250E CE	B78
33975	Screw for 250E CE	A8	15100	Belt for 250E CE	B29	15142	Bearing for 250E CE	B79
33976	Washer for 250E CE	A9	33957	Shaft for 250E CE	B30	15143	Screw for 250E CE	B80
33977	Screw for 250E CE	A10	33958	Screw for 250E CE	B31	15144	Wing Nut for 250E CE	B81
33978	Push Knob for Sharpener for 250E CE	A11	15101	Screw TC for 250E CE	B32	15145	Plate for 250E CE	B82
33979	Ball Bearing for 250E CE	A12	13586	Blade for 250E CE	B33	15146	Motor Adjustment Bar for 250E CE	B83
33980	Spring for 250E CE	A13	15103	Screw for 250E CE	B34	15147	Spring for Adjustment Bar for 250E CE	B84
33981	Washer for 250E CE	A14	15105	Nut for 250E CE	B36	15148	Motor for 250E CE	B85
33982	Screw for 250E CE	A15	15106	Pin for 250E CE	B39	15149	Screw for 250E CE	B86
33983	Washer for 250E CE	A16	15107	Pin for 250E CE	B40	15150	Ventosa for 250E CE	B87
33984	Sharpener Housing for 250E CE	A17	15108	Support for 250E CE	B41	15151	Motor Pin for 250E CE	B88
33985	Grinding Shaft for 250E CE	A18	15109	Spring for 250E CE	B42	15152	Circlip for 250E CE	B89
33914	Grinding Stone for 250E CE	A19	15110	Spring for 250E CE	B43	14933	Foot for 250E CE	B90
33987	Washer for 250E CE	A20	15111	Small Push Button for 250E CE	B44	15154	Pulley Assembly for 250E CE	B93
33988	Nut for 250E CE	A21	15112	Screw for 250E CE	B45	64791	Screw for 250E CE	D1
17212	Finishing Stone for 250E CE	A22	15114	Meat Grip for 250E CE	B49	64792	Spacer for 250E CE	D2
33990	Honing Shaft for 250E CE	A23	15115	Pin for 250E CE	B50	64793	Nut for 250E CE	D3
33991	Sharpener Cover for 250E CE	A24	15117	Lock for 250E CE	B52	25162	Bottom Cover for 250E CE	D4
33992	Spring for 250E CE	A25	15118	Meat Plate for 250E CE	B53	64794	Circuit Board for 250E CE	D5
15082	Casing for 250E CE	B1	15119	Screw for 250E CE	B54	64795	Screw for 250E CE	D6
15083	Screw for 250E CE	B2	15121	Meat Plate Support for 250E CE	B56	64796	On/Off Switch for 250E CE	D7
14940	Index Knob for 250E CE	B3	15122	Screw for Support Bar for 250E CE	B58	64797	Terminal Block for 250E CE	D9
33951	Screw for 250E CE	B4	15123	Support Bar for 250E CE	B59	18933	Micro Switch for 250E CE	D10
15085	Rivet for 250E CE	B5	15124	Screw for 250E CE	B60	33993	Tie Rod for Micro Switch for 250E CE	D11
15086	Screw for 250E CE	B6	15125	Washer for 250E CE	B61	33994	Screw for 250E CE	D13
15087	Plate for 250E CE	B7	15126	Cam for 250E CE	B62	25163	Tie Rod Ring for 250E CE	D14
15088	Capacitor for 250E CE	B9	15127	Cam Screw for 250E CE	B63	33996	Pivot Chuck for 250E CE	D15
15089	Clamp for 250E CE	B10	15019	Slide Support for 250E CE	B64	64798	Screw for 250E CE	D16
15090	Screw TC for 250E CE	B11	33965	Slide Pin for 250E CE	B65	64799	Washer for 250E CE	D17
14859	Power Cord for 250E CE	B15	15128	Screw TC for 250E CE	B66	64800	Support Ring for 250E CE	D18
15092	Screw for 250E CE	B16	15129	Screw TC for 250E CE	B67	64801	Nut for 250E CE	D19
15093	Washer for 250E CE	B17	15130	Nut for 250E CE	B68	64802	Ring for 250E CE	D20
15094	Support for 250E CE	B18	15131	Screw Testa CACC for 250E CE	B69	64803	Blade Guard for 250E CE	D21
15095	Thickness Adj. Plate for 250E CE	B19	15132	Screw for 250E CE	B70	41167	Complete Sharpening Assembly for 250E CE	
15096	Strain Relief for 250E CE	B20	15133	Plate for 250E CE	B71			

Parts Breakdown

Model MS-IT-0300-C 31344



Parts Breakdown

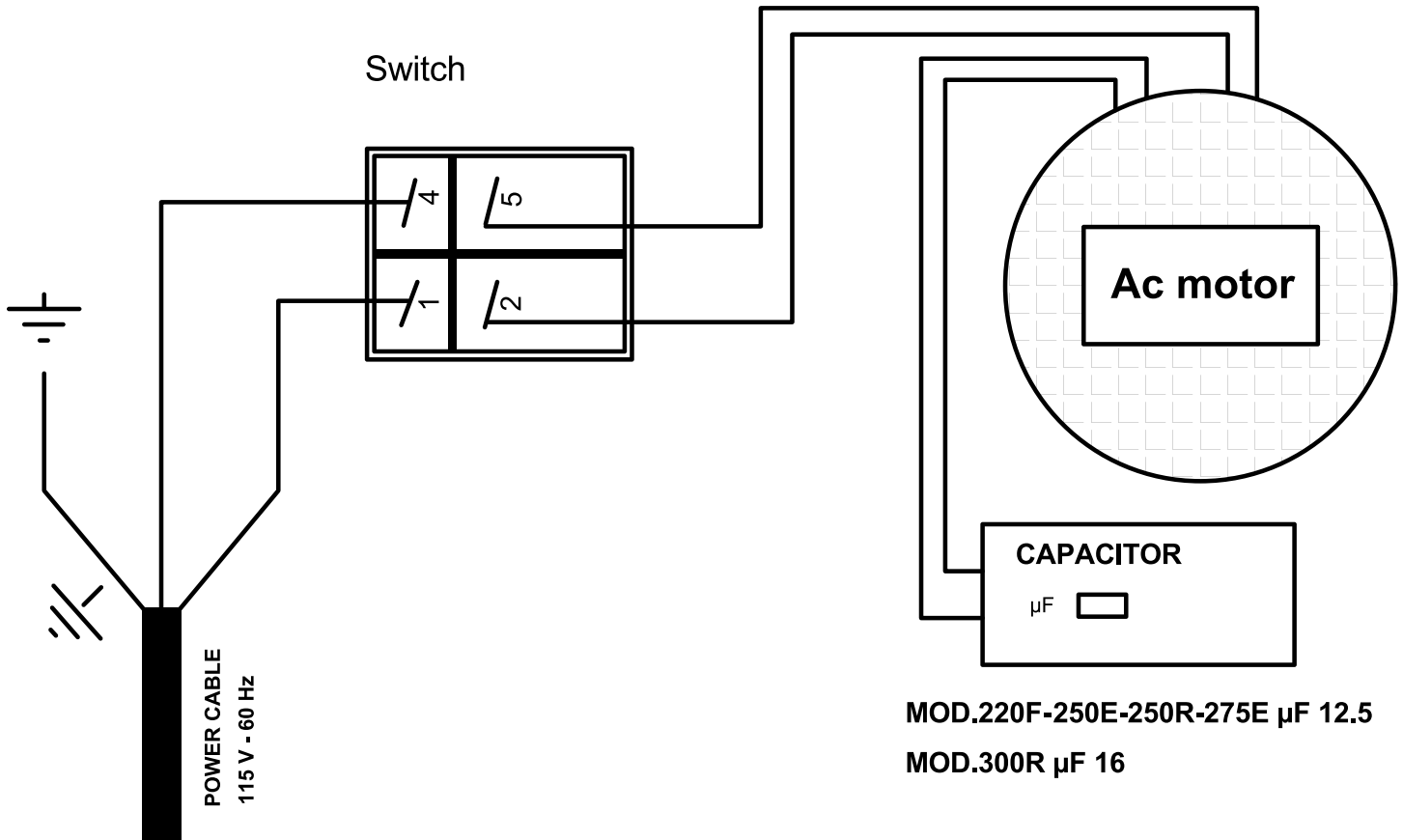
Model MS-IT-0300-C 31344

Item No.	Description	Position	Item No.	Description	Position	Item No.	Description	Position
34359	Housing for 300E CE	A1	34401	Set Screw for 300E CE	A45	34427	Screw TC for 300E CE	A93
34360	Set Screw TC for 300E CE	A2	13594	Blade for 300E CE	A46	34428	Motor Spring for 300E CE	A94
34361	Set Screw TC for 300E CE	A3	15181	Screw TPSV for 300E CE	A47	34429	Motor Bracket for 300E CE	A95
34362	Guide Plate Pin for 300E CE	A4	15185	Meat Grip for 300E CE	A51	34430	Wing Nut for 300E CE	A96
34364	Tapping Screw for 300E CE	A5	34403	Plastic Dowel for 300E CE	A52	34432	Hinge for 300E CE	A98
34365	Stop Plate for 300E CE	A6	18937	Meat Tray Shaft Spring for 300E CE	A53	34433	Motor Support Shaft for 300E CE	A99
34366	Strain Relief for 300E CE	A7	18936	Meat Tray Shaft for 300E CE	A54	34434	Motor Tie Rod for 300E CE	A100
34367	Set Screw TP for 300E CE	A8	15186	Meat Tray for 300E CE	A55	15199	Guide Plate Support Cover for 300E CE	A101
34368	Sharpener Tie Rod for 300E CE	A10	17690	Guide Plate for 300E CE	A56	15078	Motor for 300E CE	A103
34369	Sharpener Support Bracket for 300E CE	A11	34405	Meat Tray Support for 300E CE	A57	14859	Power Cord for 300E CE	A104
34370	Washer for 300E CE	A12	34406	Screw TE for 300E CE	A59	36530	Index Knob Spacer for 300E CE	A108
34371	Screw TE for 300E CE	A13	34407	Screw TE for 300E CE	A60	64773	Screw for 300E CE	C1
34372	Shaft for Sharpener for 300E CE	A14	15188	Guide Plate Support for 300E CE	A61	64774	Spacer for 300E CE	C2
18934	Sharpener Pin Spacer for 300E CE	A15	34408	Cam Plate for 300E CE	A62	64775	Nut for 300E CE	C3
34373	Sharpener Pin for 300E CE	A16	34409	Screw TC for 300E CE	A63	25161	Bottom Cover for 300E CE	C4
18016	Grinding Stone for 300E CE	A17	34410	Set Screw TC for 300E CE	A64	39676	Switch - CE On / Off for 300E CE	C6
34375	Washer for 300E CE	A18	15189	Cam Guide for 300E CE	A65	64776	Terminal Block for 300E CE	C8
34376	Nut for 300E CE	A19	15190	Nut for 300E CE	A66	27964	Wrist Guard Handle for 300E CE	C9
34377	Set Screw for 300E CE	A20	34412	Cam Screw for 300E CE	A67	42756	Wrist Guard Plate for 300E CE	C10
34378	Nut for 300E CE	A21	34413	Washer for 300E CE	A68	64777	Spacer for 300E CE	C11
34379	Screw TGS for 300E CE	A22	34414	Set Screw for 300E CE	A69	64778	Screw for 300E CE	C12
34380	Sharpener Push Button for 300E CE	A23	15191	Cam for 300E CE	A70	64779	Meat Grip Rod for 300E CE	C13
34381	Ball Bearing for 300E CE	A24	34415	Screw TE for 300E CE	A71	64780	Meat Grip Handle for 300E CE	C14
33032	Finishing Stone for 300E CE	A25	34416	Screw TC for 300E CE	A72	31383	Blade Cover Screw for 300E CE	C15
34383	Sharpener Pin for 300E CE	A26	15192	Meat Deflector for 300E CE	A73	64781	Blade Guard for 300E CE	C16
34384	Sharpener Pin Spring for 300E CE	A27	15193	Screw TC for 300E CE	A74	64782	Ring for 300E CE	C17
34385	Sharpener Cover for 300E CE	A28	34417	Copper Rivet for 300E CE	A75	64783	Screw for 300E CE	C18
34386	Sharpener Body for 300E CE	A29	15194	Index Knob for 300E CE	A76	64784	Nut for 300E CE	C19
34387	Sharpener Pin Spacer for 300E CE	A30	34418	Screw Chrome for 300E CE	A77	64785	Support Ring for 300E CE	C20
34388	Washer for 300E CE	A31	34419	Light for 300E CE	A78	64786	Washer for 300E CE	C21
34389	Screw TC for 300E CE	A32	19240	Carriage Rail for 300E CE	A80	64787	Screw for 300E CE	C22
34390	Sharpener Push Button for 300E CE	A33	30442	Bearing for 300E CE	A81	34437	Bearing and Shaft for 300E CE	C23
34391	Sharpener Pin Spring for 300E CE	A34	34420	Bearing Pin for 300E CE	A82	25164	Tie Rod Ring for 300E CE	C24
34392	Stud Screw for 300E CE	A35	34421	Set Screw for 300E CE	A83	34438	Set Screw for 300E CE	C25
34393	Washer for 300E CE	A36	15196	Set Screw PVC for 300E CE	A84	34439	Set Screw for 300E CE	C26
34394	Screw TC for 300E CE	A37	19246	Slide Bar Spring for 300E CE	A85	34440	Tie Rod for 300E CE	C27
34395	Clip - See A43 for 300E CE	A38	15197	Carriage Support for 300E CE	A86	34441	Micro Switch for 300E CE	C28
34397	Clip - See A43 for 300E CE	A39	34422	Screw TC for 300E CE	A87	64788	Safety Ring Extension for 300E CE	C29
15178	Bearing - See A43 for 300E CE	A40	34423	Carriage Slide Bar for 300E CE	A88	64789	Washer for 300E CE	C30
34399	Spacer - See A43 for 300E CE	A41	34424	Stop Plate for 300E CE	A89	64790	Nut for 300E CE	C31
15179	Belt for 300E CE	A42	15073	Foot for 300E CE	A90	15350	Complete Sharp. Assy. for 300E CE	
15180	Complete Spindle Pulley Assy. for 300E CE	A43	15198	Capacitor for 300E CE	A91			
34400	Bearing and Shaft - See A43 for 300E CE	A44	34426	Capacitor Bracket for 300E CE	A92			

Electrical Schematics

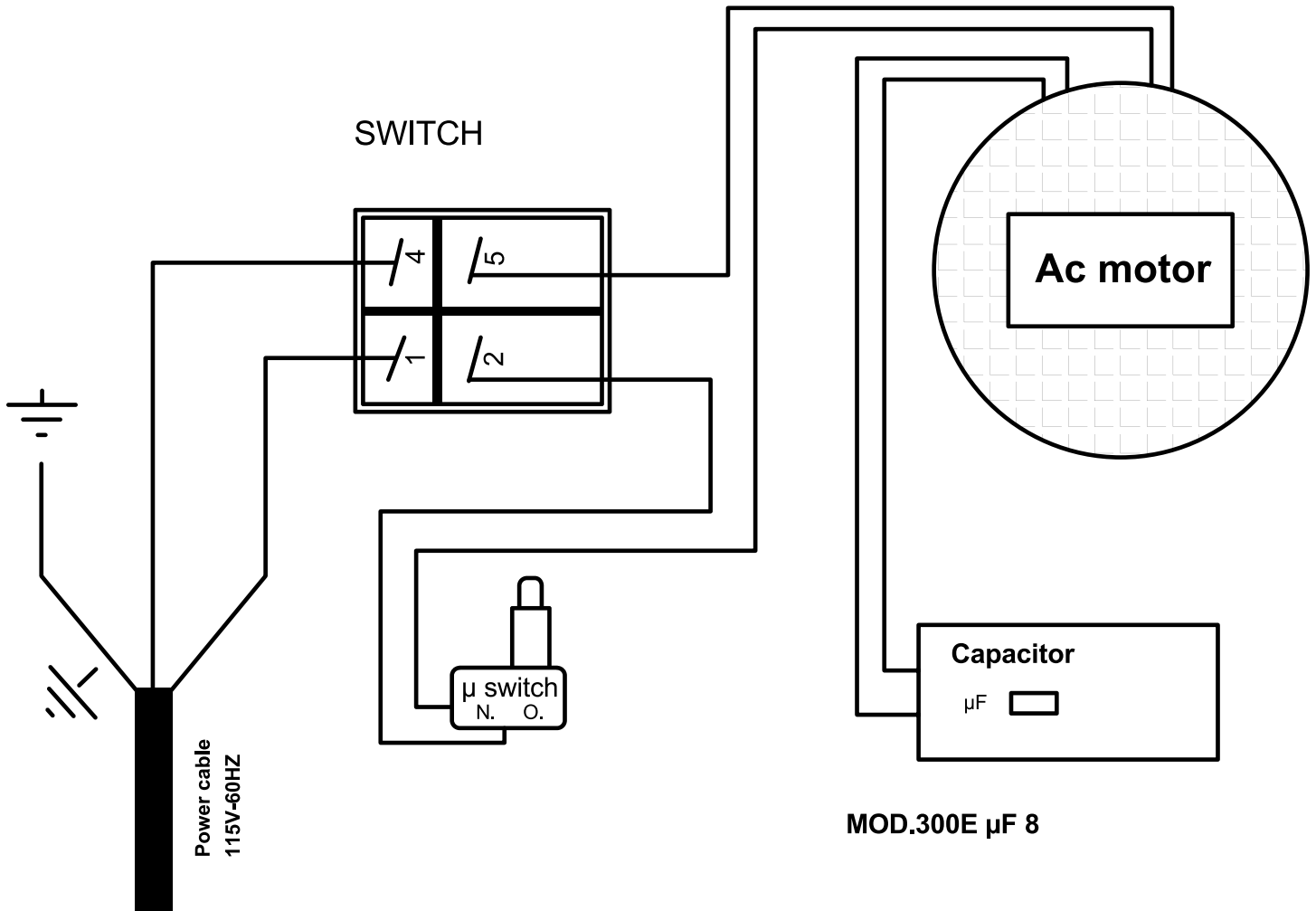
Model MS-IT-0220-C 31342

Model MS-IT-0250-C 31343



Electrical Schematics

Model MS-IT-0300-C 31344





Warranty Registration

Thank you for purchasing an Omcan product. To register your warranty for this product, complete the information below, tear off the card at the perforation and then send to the address specified below. You can also register online by visiting:

Merci d'avoir acheté un produit Omcan. Pour enregistrer votre garantie pour ce produit, complétez les informations ci-dessous, détachez la carte au niveau de la perforation, puis l'envoyer à l'adresse spécifiée ci-dessous. Vous pouvez également vous inscrire en ligne en visitant:

Gracias por comprar un producto Omcan usted. Para registrar su garantía para este producto, complete la información a continuación, cortar la tarjeta en la perforación y luego enviarlo a la dirección indicada a continuación. También puede registrarse en línea en:

www.omcan.com/warrantyregistration.html

For mailing in Canada

Pour postale au Canada

Por correo en Canadá

For mailing in the US

Pour diffusion aux États-Unis

Por correo en los EE.UU.

OMCAN

PRODUCT WARRANTY REGISTRATION

3115 Pepper Mill Court,

Mississauga, Ontario

Canada, L5L 4X5

OMCAN

PRODUCT WARRANTY REGISTRATION

4450 Witmer Industrial Estates, Unit 4,

Niagara Falls, New York

USA, 14305

or email to: service@omcan.com



Purchaser's Information

Name: _____

Address: _____

City: _____ Province or State: _____ Postal or Zip: _____

Country: _____

Dealer from which Purchased: _____

Dealer City: _____ Dealer Province or State: _____

Invoice: _____

Model Name: _____ Model Number: _____

Machine Description: _____

Date of Purchase (MM/DD/YYYY): _____

Would you like to extend the warranty? Yes No

Company Name: _____

Telephone: _____

Email Address: _____

Type of Company:

Restaurant Bakery Deli

Butcher Supermarket Caterer

Institution (specify): _____

Other (specify): _____

Serial Number: _____

Date of Installation (MM/DD/YYYY): _____

Thank you for choosing Omcan | Merci d'avoir choisi Omcan | Gracias por elegir Omcan



Since 1951 Omcan has grown to become a leading distributor of equipment and supplies to the North American food service industry. Our success over these many years can be attributed to our commitment to strengthen and develop new and existing relationships with our valued customers and manufacturers. Today with partners in North America, Europe, Asia and South America, we continually work to improve and grow the company. We strive to offer customers exceptional value through our qualified local sales and service representatives who provide convenient access to over 3,500 globally sourced products.

Depuis 1951 Omcan a grandi pour devenir un des “leaders” de la distribution des équipements et matériel pour l’industrie des services alimentaires en Amérique du Nord. Notre succès au cours de ces nombreuses années peut être attribué à notre engagement à renforcer et à développer de nouvelles et existantes relations avec nos clients et les fabricants de valeur. Aujourd’hui avec des partenaires en Amérique du Nord, Europe, Asie et Amérique du Sud, nous travaillons continuellement à améliorer et développer l’entreprise. Nous nous efforçons d’offrir à nos clients une valeur exceptionnelle grâce à nos ventes locales qualifiées et des représentants de service qui offrent un accès facile à plus de 3500 produits provenant du monde entier.

Desde 1951 Omcan ha crecido hasta convertirse en un líder en la distribución de equipos y suministros de alimentos en América del Norte industria de servicios. Nuestro éxito en estos años se puede atribuir a nuestro compromiso de fortalecer y desarrollar nuevas relaciones existentes con nuestros valiosos clientes y fabricantes. Hoy con socios de América del Norte, Europa, Asia y América del Sur, que trabajan continuamente para mejorar y crecer la empresa. Nos esforzamos por ofrecer a nuestros clientes valor excepcional a través de nuestro local de ventas y representantes de los servicios que proporcionan un fácil acceso a más de 3,500 productos con origen a nivel mundial.

