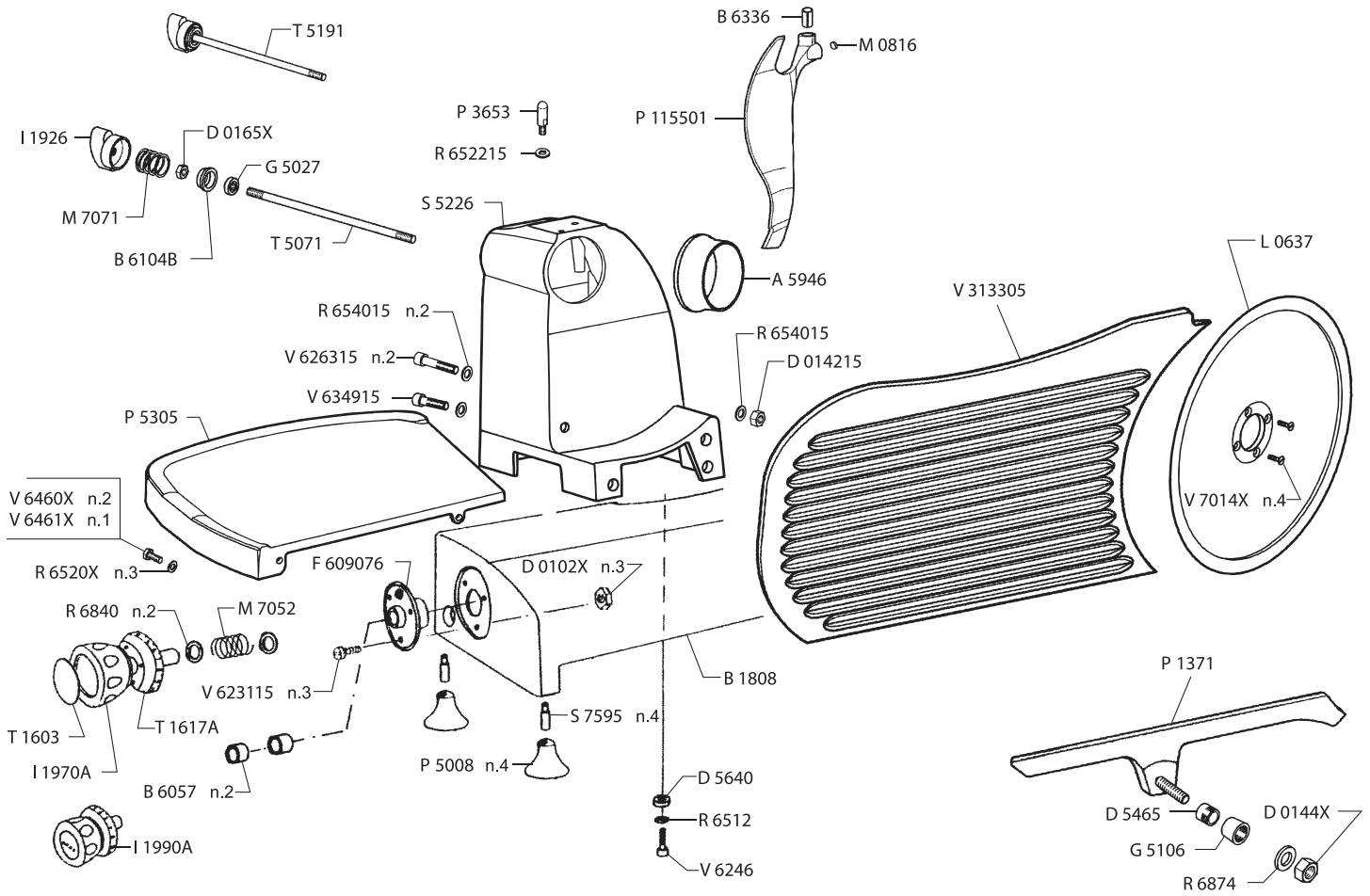


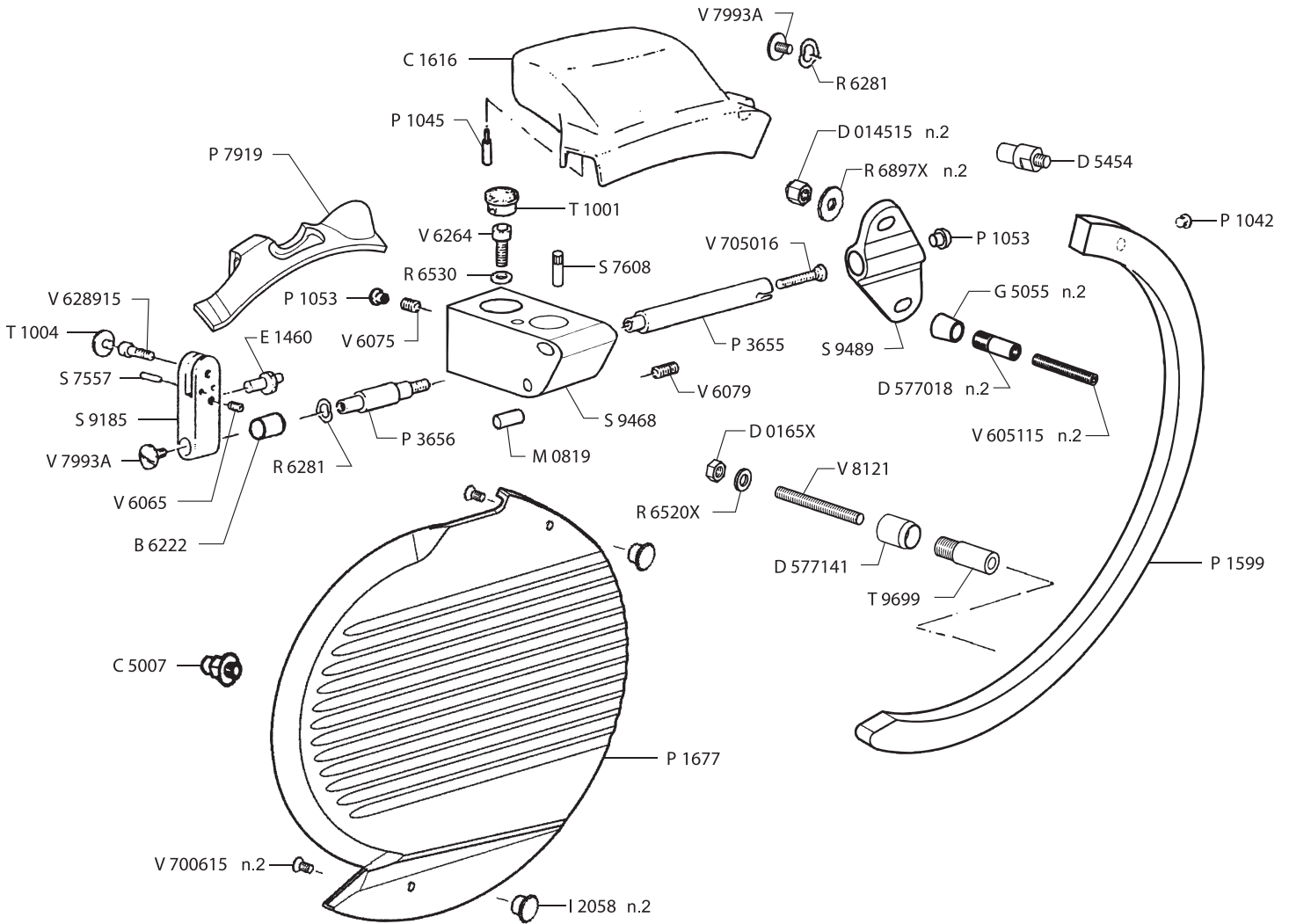
# Parts Breakdown

## Model MS-IT-0370-H 38915



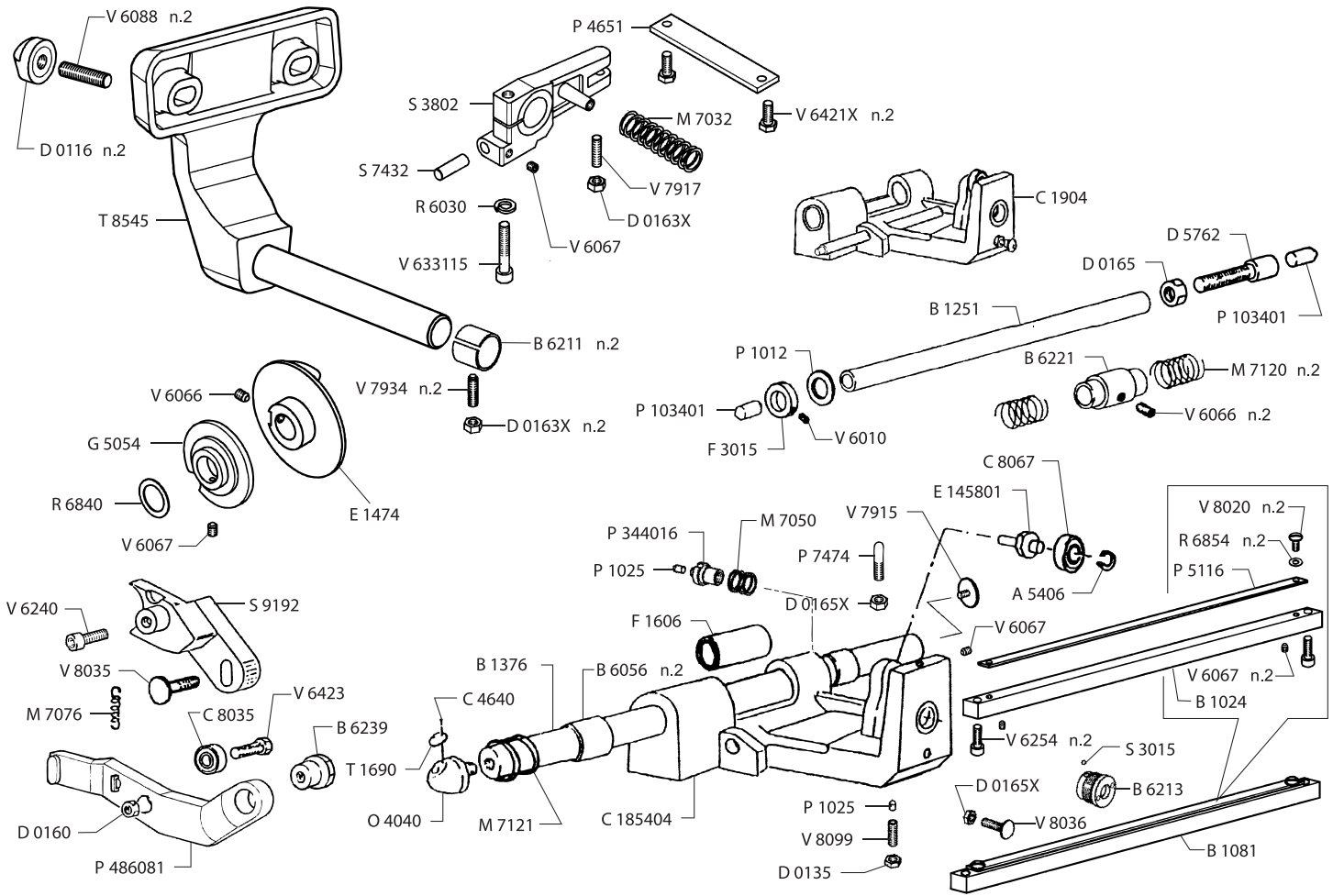
# Parts Breakdown

Model MS-IT-0370-H 38915



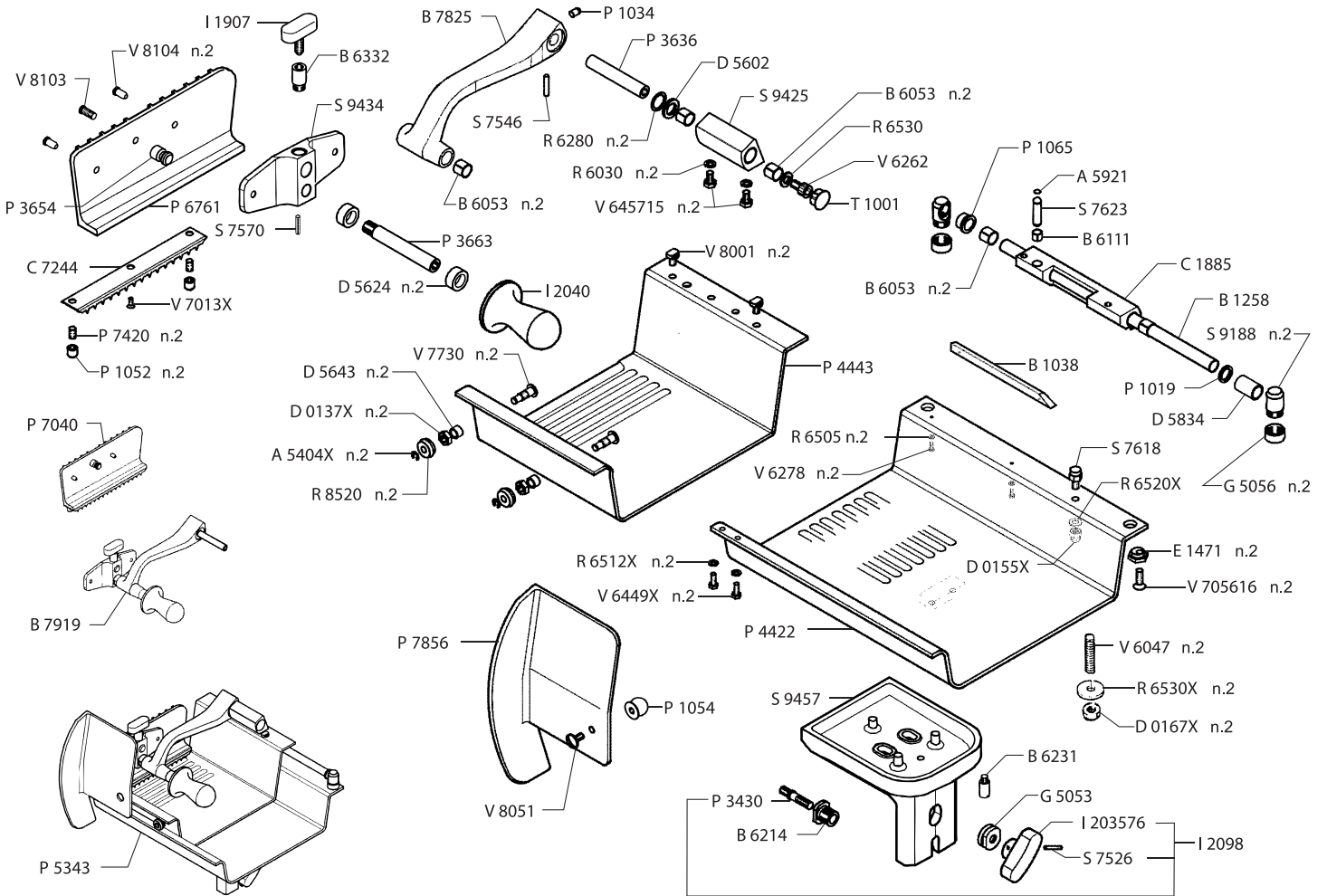
# Parts Breakdown

## Model MS-IT-0370-H 38915



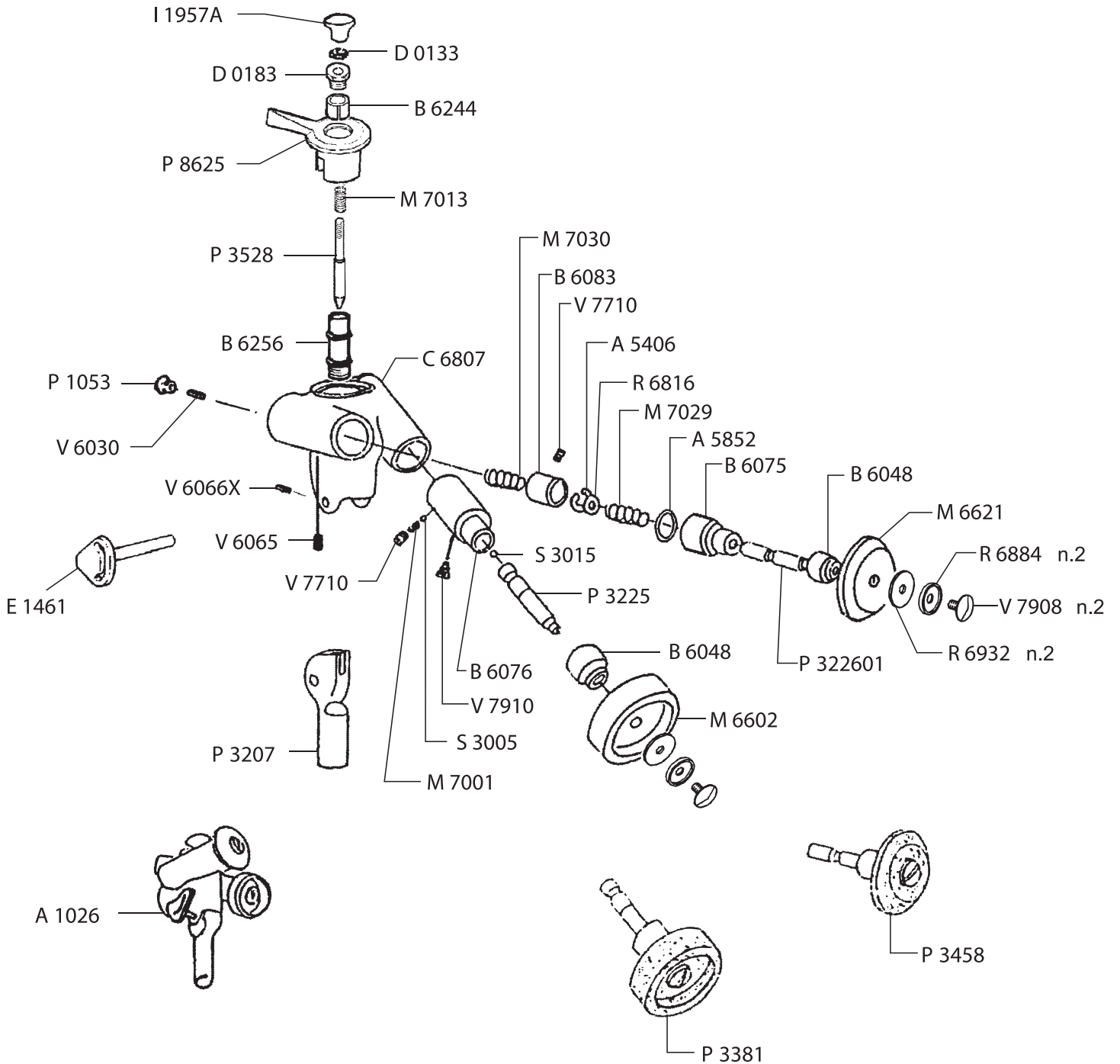
# Parts Breakdown

## Model MS-IT-0370-H 38915



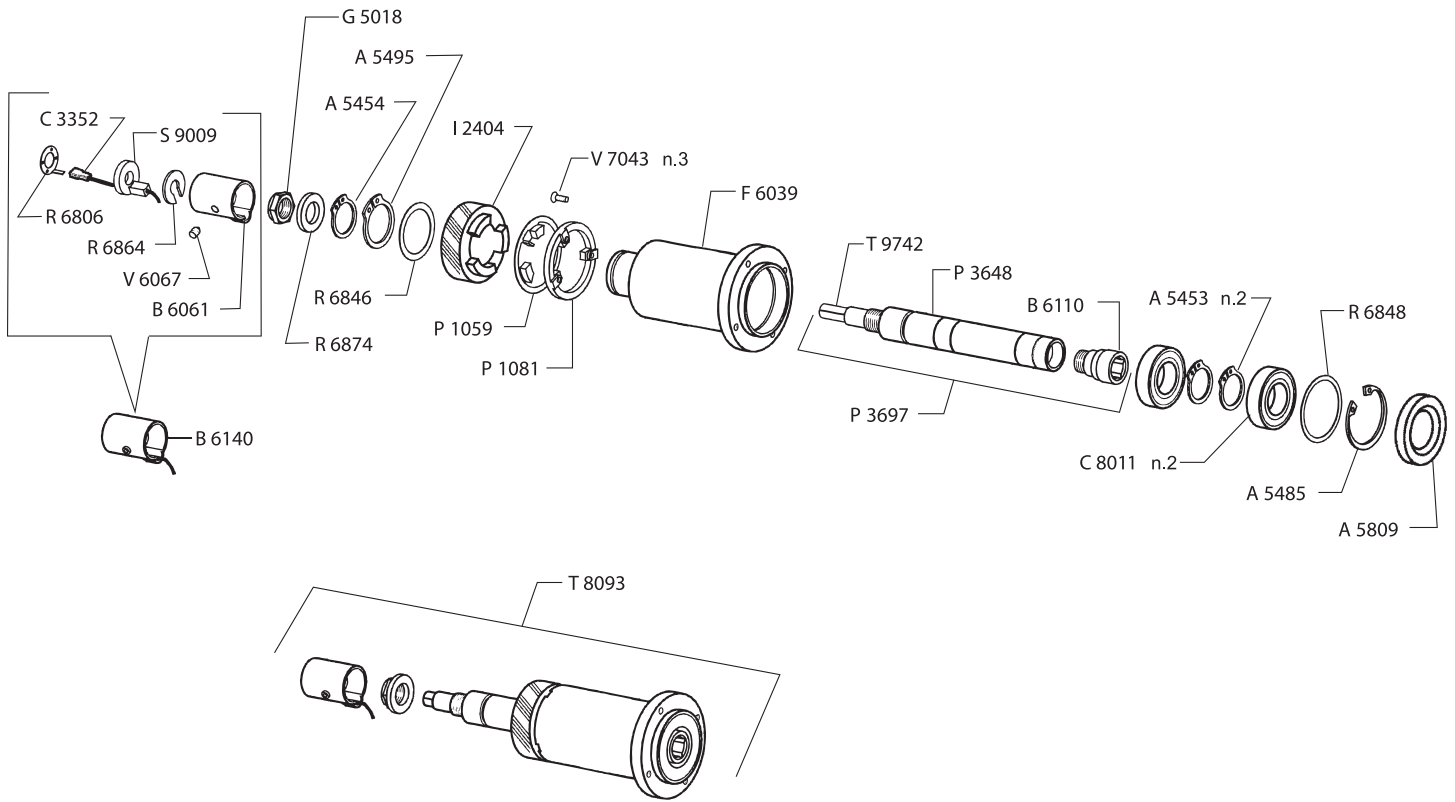
# Parts Breakdown

Model MS-IT-0370-H 38915



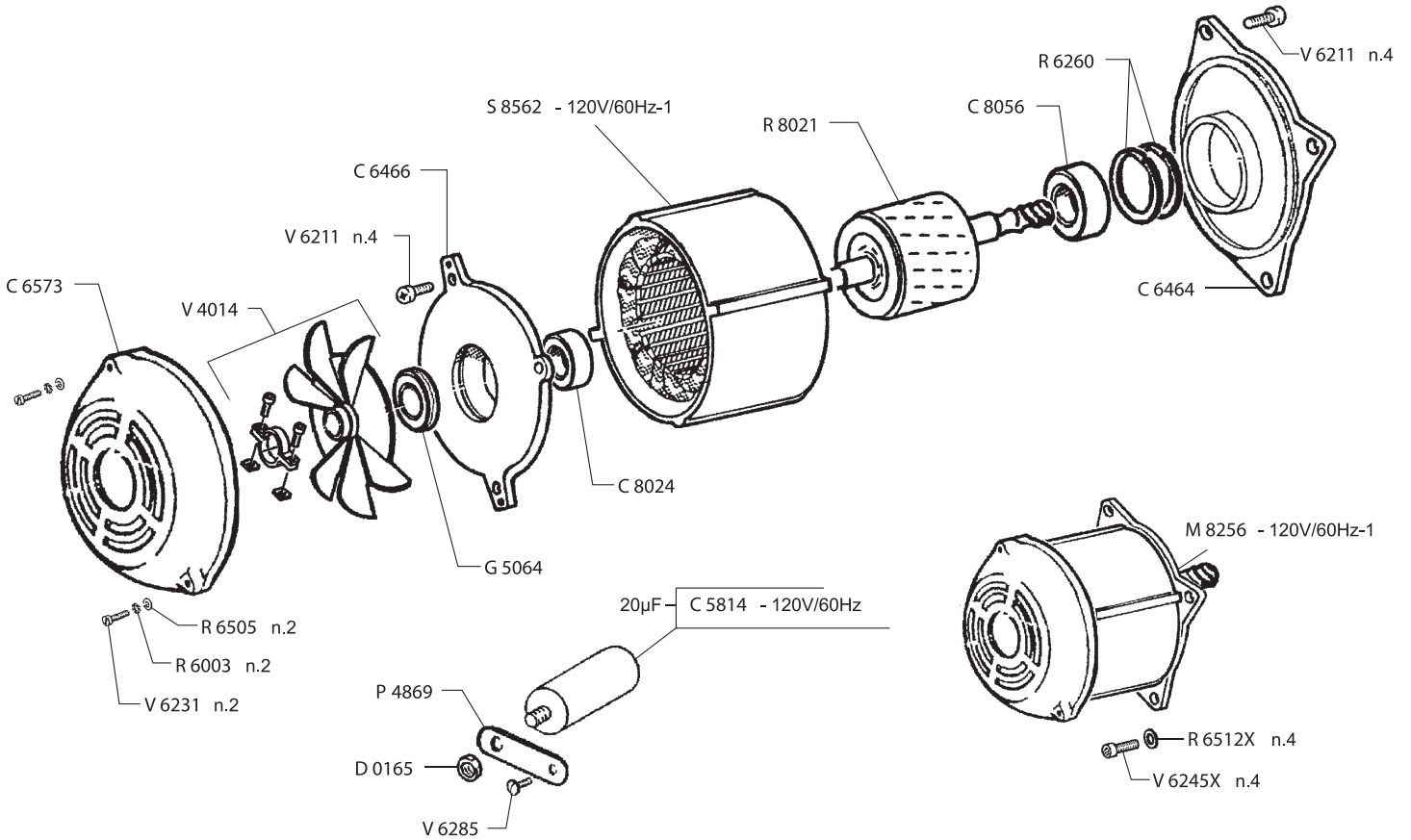
# Parts Breakdown

**Model MS-IT-0370-H 38915**



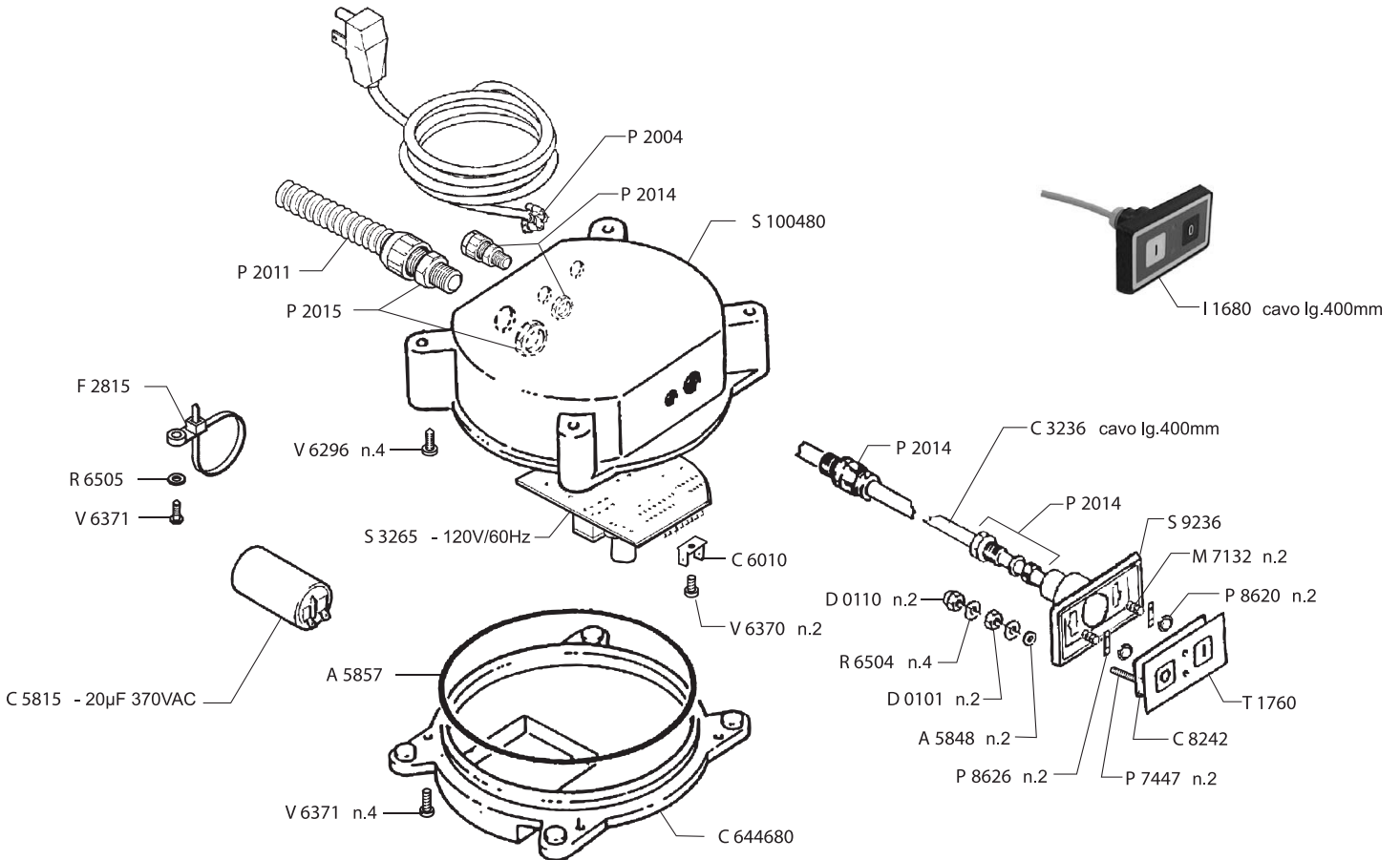
# Parts Breakdown

Model MS-IT-0370-H 38915



# Parts Breakdown

**Model MS-IT-0370-H 38915**



# Parts Breakdown

## Model MS-IT-0370-H 38915

Item No.	Description	Position	Item No.	Description	Position	Item No.	Description	Position
16900	Sharpening Assembly for 38915	A1026	36564	Bushing for Carriage Support lg.23mm for 38915	B6214	77504	Stainless Steel Nut U5587 M4 for 38915	D0102X
36536	Ring EL.Benzing 6 Stainless Steel for 38915	A5404X	36566	Bushing to hold Carriage Springs for 38915	B6221	77612	Self-Locking Nut M3 UNI7473 for 38915	D0110
16902	Ring EL.Benzing 8 for 38915	A5406	36567	Bushing DU 12x14x25 for 38915	B6222	77535	Special Nut M10 for 38915	D0116
17281	Ring EL.Seeger Ext.25 for 38915	A5453	77551	Bushing for Plate Ø16x19 for 38915	B6231	16928	Nut U5589 M6 for 38915	D0133
77585	Ring EL.Seeger Est.25 Ser.Heavy for 38915	A5454	36569	Fixing Lever Bushing for 38915	B6239	19639	Nut M8 for 38915	D0135
19484	Ring 52 for 38915	A5485	17313	Bushing DU 14x15x16 for 38915	B6244	36638	Nut U5589 M10 Stainless Steel for 38915	D0137X
19612	Ring 33 for 38915	A5495	23646	Sharpener Pivot Ferrule for 38915	B6256	77508	Stainless Steel Nut U5588 M12 for 38915	D014215
17283	Oil Seal 25x52x10 for 38915	A5809	77552	Bushing for Plate for 38915	B6332	19646	Nut U5588 M16 Stainless Steel for 38915	D0144X
77601	Oil Seal OR 2010 for 38915	A5848	77553	Pusher Arm for 38915	B7825	66365	Domed Nut Din 917 M8 Stainless Steel for 38915	D014515
17287	O-Ring 123 17.86x2.62 for 38915	A5852	77554	Pusher Arm Ass. for 38915	B7919	19642	Nut M8 for 38915	D0155X
77602	O-Ring OR 4500 for 38915	A5857	77518	Sharpener Cover for 38915	C1616	36643	Nut U5588 M5 for 38915	D0160
77547	Pin Stop Ring for 38915	A5921	36591	Carriage Support for 38915	C185404	36646	Nut U5588 M6 Stainless Steel for 38915	D0163X
77502	Shaft Sealing Ring Ø98x42 for 38915	A5946	65141	Flat Cart for 38915	C1885	36647	Nut U5588 M8 for 38915	D0165
36546	Carriage Rod for 38915	B1024	77534	Cart Assembly for 38915	C1904	36648	Nut U5588 M8 for 38915	D0165X
77548	Tray Rod for 38915	B1038	77605	Assy Wiring 6 Poles LG.400 for 38915	C3236	36649	Nut U5588 M10 Stainless Steel for 38915	D0167X
77533	Quadra Bar for 38915	B1081	79263	Contact Pin for 38915	C3352	36651	Sharpener Support Nut for 38915	D0183
36548	Shock Absorber Bar 12x170 for 38915	B1251	36601	Rivet 1.9x5 for 38915	C4640	79264	Blade Support Screw for 38915	D5454
77549	Plate Rod for 38915	B1258	36607	Blade Cover Bolt Keeper 14x14M for 38915	C5007	77506	Spacer Ø22x22 for 38915	D5465
19508	Carriage Rod for 38915	B1376	36609	Capacitor 20 µF 250V for 38915	C5814	19648	Knife Spacer for 38915	D5602
79260	Body for 38915	B1808	20458	Capacitor 14µF for 38915	C5815	77556	Right Spacer INT90 for 38915	D5624
16904	Bushing Sharpener for 38915	B6048	74403	Connector Faston 2 Poles Male for 38915	C6010	36656	Motor Spacer for 38915	D5640
16905	Bushing DU 16x18x15 for 38915	B6053	77611	P.C.B. Cover Box for 38915	C644680	17341	Spacer D.10.5x14 H.9 for 38915	D5643
AK403	Bushing DU 25x28x20 for 38915	B6056	36614	Cover Anter.Motor H (Diam.135) for 38915	C6464	36661	Carriage Shock Absorber Spacer for 38915	D5762
17305	Bushing DU 18x20x15 for 38915	B6057	36615	H-C Series Back Motor Cover for 38915	C6466	36665	H 35E Locknut Spacer for 38915	D577018
19514	Bushing Guard A310 for 38915	B6061	36617	Motor Fan Cover for 38915	C6573	77519	Spacer Eccentrico for 38915	D577141
16906	Bush Sharpening H-L-C for 38915	B6075	19534	Housing Sharpener H for 38915	C6807	77557	Spacer Supp.Bar Post. for 38915	D5834
16907	Bush. Sharpening H-L-C for 38915	B6076	19536	Rack 13658 for 38915	C7244	65168	Eccentric CUSC. Cart lg.43 for 38915	E145801
17307	Bushing Sharp. H-L-C for 38915	B6083	17334	Bearing 2Z-6205 25x52x15 for 38915	C8011	36677	Cam Pin for 38915	E1460
19630	Bushing Fastener HBC for 38915	B6104B	16925	Bearing 2RS-6204 20x47x14 for 38915	C8024	77590	Cam for Sharpener for 38915	E1461
78265	Bushing Funnel H-L-C for 38915	B6110	36630	Bearing 5x16x6.5 for 38915	C8035	77558	Eccentric for 38915	E1471
77550	Bushing DU 10x12x10 for 38915	B6111	36631	Bearing 2RS-6205 25x52x15 for 38915	C8056	69701	Black Plastic Cam 25mm (New Style) for 38915	E1474
77588	Bushing Fastener Guard Knife A310 A for 38915	B6140	16926	Bearing 2RS-6000 (10x26x8) for 38915	C8067	36680	Carriage Felt for 38915	F1606
17312	Bushing 22x25x20 for 38915	B6211	60423	Touch Pad Gasket for 38915	C8242	77614	Nylon Cable Tie (Diam.45x200) for 38915	F2815
36563	Carriage Bushing for 38915	B6213	19637	Nut M3 for 38915	D0101	36682	Unhook Friction Clasp 12x22x8 for 38915	F3015

# Parts Breakdown

## Model MS-IT-0370-H 38915

Item No.	Description	Position	Item No.	Description	Position	Item No.	Description	Position
77591	Support Blade Flange for 38915	F6039	78283	Screw for 38915	M7132	77523	Knife Cover Support Pin for 38915	P3655
17349	Handle Flange for 38915	F609076	17383	Motor for 38915	M8256	77524	Pin for Protec.Support L35S for 38915	P3656
17351	Locknut for 38915	G5018	19791	Oiler Oil Cap with Screw for 38915	O4040	77566	Pivot Pusher for 38915	P3663
36689	Stainless Steel Locknut M8 for 38915	G5027	17388	R.Shock Absorb.12x19x2 for 38915	P1012	77594	Assy Driving Pivot for 38915	P3697
36691	Ring for Bushing for 38915	G5053	17390	Rubber Shock ABS. 16x22x2.5 for 38915	P1019	36809	Tray for 38915	P4422
36692	Ring for Cam for 38915	G5054	36760	Pin Tray Shock-Absorber for 38915	P1025	36812	Tray for 38915	P4443
36695	Ring Support Cap for 38915	G5055	17392	PL.Shock Absorb.8.5x20 for 38915	P1034	19832	Flat Bar H-L for 38915	P4651
77559	Plate Bar Supp. Ring 250/273 for 38915	G5056	36761	Shock Absorber for 38915	P103401	77537	ECC. Locking Plate for 38915	P486081
36697	Logging Lock Nut for 38915	G5064	19797	Nylon Shock 8.5x8 for 38915	P1042	60469	Motor Straight Bracket for 38915	P4869
77507	Locknut M22 P.1 for 38915	G5106	19798	Plastic Shock for 38915	P1045	16961	Foot for 38915	P5008
17352	Touch Pad - Start/Stop Push Button for 38915	I1680	77561	Shock Absorber D12 H18 for 38915	P1052	77538	Sliding Bearing Flat 19x490x3 for 38915	P5116
19580	Handle TS8 for 38915	I1907	36762	Rubber Plug for 38915	P1053	79273	Body Plate for 38915	P5305
17356	Fastener Handle for 38915	I1926	77562	Shock Absorber for 38915	P1054	77567	Assy Meat Tray for 38915	P5343
19587	Sharpener Knob for 38915	I1957A	16955	Shock Absorber for 38915	P1059	65227	Removable Pressing Machine for 38915	P6761
36705	Adjustment Knob for 38915	I1970A	77563	Shock Absorber for 38915	P1065	77568	Pusher Ass. for 38915	P7040
36708	Assy Index Knob for 38915	I1990A	17395	Shock Absorber for 38915	P1081	60424	Touch Pad Screw for 38915	P7447
18220	Knob-Handling for 38915	I203576	77509	Deflector for 38915	P115501	77539	Stud Plate M8x25x35 for 38915	P7474
17363	End Grip Handle for 38915	I2040	77510	Slice Deflector for 38915	P1371	19850	Protection for 38915	P7856
36714	Blade Cover Handling for 38915	I2058	77521	Ext. Blade Cover for 38915	P1599	77525	Mobile Protection for 38915	P7919
36717	Knob Assy for 38915	I2098	77522	Blade Cover for 38915	P1677	78282	Lock Washer for 38915	P8620
41486	Blade mm.370/57/4/326 Lip 1/2" for 38915	L0637	77616	Strain Relief for 38915	P2004	24030	Sharpener Operating Handle for 38915	P8625
79268	Magnete MFD 020 004 010 for 38915	M0816	60421	Electrical Conduit for 38915	P2011	78284	Bracket for 38915	P8626
77520	Magnet Ø8x25 for 38915	M0819	36778	Wire-Press for 38915	P2014	19657	Washer 4 for 38915	R6003
14787	Grinding Sharpening Stone 48x15x14.3 for 38915	M6602	36779	Core-Hitch + Nut for 38915	P2015	19661	Washer 8 for 38915	R6030
21644	F Stone 51x7x14.3 for 38915	M6621	17416	Pin Sharpener for 38915	P3207	19665	Washer for 38915	R6260
36741	Spring 2.9x4x12 Stainless Steel for 38915	M7001	16959	Pin Grinding for 38915	P3225	19666	Washer for 38915	R6280
17377	Spring 8.5x1.0x25 Stainless Steel for 38915	M7013	17419	Pin Truing for 38915	P322601	19667	Washer 12x17x2 for 38915	R6281
17379	Spring 11.9x0.7x27 Stainless Steel for 38915	M7029	17427	Assy Grinding Stone & Pin for 38915	P3381	36880	Washer U6592 3 for 38915	R6504
17380	Spring 13.4x1.3x30 Stainless Steel for 38915	M7030	36793	Pin.Handle for 38915	P3430	17455	Washer U6592 4 for 38915	R6505
19776	Spring 14x1.5x60 for 38915	M7032	62428	Lock Plate Pivot H	P344016	16967	Washer U65926 for 38915	R6512
19782	Spring 19.5x1.5x16.7 for 38915	M7050	17426	Assy Honing Stone Pivot for 38915	P3458	17457	Washer U6592 6 Stainless Steel for 38915	R6512X
17381	Spring 22.5x1 8x18 for 38915	M7052	23645	Sharpener Pivot for 38915	P3528	36884	Washer U6592 8 Stainless Steel for 38915	R6520X
19250	Spring 24.8x1.8x15 for 38915	M7071	77564	Pin Support Meat Grip Arm H for 38915	P3636	77512	Washer 8.5x18x2 for 38915	R652215
36746	Spring 7x0.8x23 Cam for 38915	M7076	79272	Knife Shaft for 38915	P3648	19668	Washer 10 for 38915	R6530
19248	Spring 15.6x20x2.2 for 38915	M7120	77511	Pin Deflector for 38915	P3653	36885	Washer U6592 10 Stainless Steel for 38915	R6530X
36749	Carriage Bar Spring 25-28-1.5 for 38915	M7121	77565	Pivot Pusher for 38915	P3654	66375	Stainless Steel Washer U6592 12 for 38915	R654015

# Parts Breakdown

## Model MS-IT-0370-H 38915

Item No.	Description	Position	Item No.	Description	Position	Item No.	Description	Position
17458	Contact Washer for 38915	R6806	60422	Touch Pad Back Casing for 38915	S9236	77515	Screw TC U6107 M4x25 Inox for 38915	V623115
36889	Washer 10.5x16x1 for 38915	R6816	77573	Hand Grip Arm Support for 38915	S9425	19700	Screw M6x16 for 38915	V6240
16969	Washer 18.2x25x0.5 for 38915	R6840	77574	Hand Grip Support for 38915	S9434	77598	Stainless Steel Screw TCEI U5931 M6x20 for 38915	V6245X
17460	Washer 34.2x46x0.5 for 38915	R6846	77575	Plate Support for 38915	S9457	19702	Screw M6x25 for 38915	V6246
19674	Washer 44.5x51.5x0.2 for 38915	R6848	77576	Sharpener Support for 38915	S9468	37042	Screw TCEI U5931 M8x25 for 38915	V6254
77540	Washer 6.2x14x0.6 for 38915	R6854	77528	Ext.Knife Protect.Support for 38915	S9489	19704	Screw M10x16 for 38915	V6262
77596	Switch Washer A310 for 38915	R6864	19877	Rubber Cap for 38915	T1001	77516	Screw TCEI U5931 M12x35 Inox for 38915	V626315
36892	Washer 17x30x4 for 38915	R6874	36981	Rubber Cap for 38915	T1004	77530	Screw TCEI U5931 M10x30 for 38915	V6264
16972	Washer 5.5x19x2.5 for 38915	R6884	19879	Label for 38915	T1603	19706	Screw for 38915	V6278
36893	Stainless Steel Special Washer 8.5x24x2 for 38915	R6897X	36985	Label Plate for 38915	T1617A	37050	Screw TC Aut.D7971 4.2x9 for 38915	V6285
36897	Special Washer 5.5x22x1.5 for 38915	R6932	19883	Label Oil for 38915	T1690	77531	Screw TCEI U5931 M6x14 Inox for 38915	V628915
78261	Rotor Stator H.50 for 38915	R8021	77628	Switch Overlay H-C (CE) for 38915	T1760	77629	Screw TBTC AUT.U6954 4.2x13 for 38915	V6296
16973	Plate Wheel D.25x9.5 for 38915	R8520	62438	Blade Cover Fastener for 38915	T5071	77545	Stainless Steel Screw TCEI U5931 M8x45 for 38915	V633115
77619	P.C.B. Protection Box for 38915	S100480	42974	Tie Rod for 38915	T5191	77517	Screw TCEI U5931 M12x45 Inox for 38915	V634915
19680	Ball 3 17 for 38915	S3005	79280	Knife Shaft Assy for 38915	T8093	37058	Stainless Steel Screw M4x8 for 38915	V6370
17465	Ball 4.76 for 38915	S3015	77543	Bracket for 38915	T8545	37059	Stainless Steel Screw M4x14 for 38915	V6371
41350	P.C. Board 120V/60 ETL for 38915	S3265	62439	Blade Support Shaft for 38915	T9699	66387	Screw TE U5737 M6x15 Stainless Steel for 38915	V6421X
77541	Index Arm H-L-C for 38915	S3802	79283	Shaft Pin for 38915	T9742	37067	Screw TE U5739 M5x20 for 38915	V6423
79277	Housing for 38915	S5226	77514	Slice Thickness Plate for 38915	V313305	37070	Screw TE U5739 M6x20 Stainless Steel for 38915	V6449X
77542	Cylindrical Pin U1707 8x35 Stainless Steel for 38915	S7432	37013	Motor Fan MEC80 148x16 for 38915	V4014	77578	Stainless Steel Screw TE U5739 M8x14 for 38915	V645715
36920	Pin 4x25 for 38915	S7526	37018	Screw STTC U6113 M6x6 for 38915	V6010	37072	Screw TE U5739 M8x20 Stainless Steel for 38915	V6460X
36924	Pin M.E.U6875 6x30 for 38915	S7546	37021	Screw for 38915	V6030	37073	Screw TE U5739 M8x25 Stainless Steel for 38915	V6461X
36926	Pin U7586 3x18 for 38915	S7557	77577	Screw STEI U5923 M10x40 for 38915	V6047	37077	Screw TSP U6109 M4x6 Inox for 38915	V700615
77569	Pin U7586 6x30 for 38915	S7570	77529	Stainless Steel Screw STEI U5923 M8x55 for 38915	V605115	AM182	Stainless Steel Screw TSP U6109 M5x12 for 38915	V7013X
17476	Foot Support Pin D.10 M8 L.37 for 38915	S7595	37023	Screw STEI U5929 M5x5 for 38915	V6065	17497	Screw TSP U6109 M5x15 Stainless Steel for 38915	V7014X
77526	Pin Ø8x23 for 38915	S7608	19691	Grub Screw M6x6 for 38915	V6066	17498	Screw TSPEI U5933 M4x10 for 38915	V7043
77570	Lock Pin for Carr. Plate Rotation for 38915	S7618	37024	Screw STEI U5929 M6x6 for 38915	V6066X	37083	Locking Screw-Support H-C for 38915	V705016
77571	Lock Pin Pusher Arm for 38915	S7623	19692	Screw M6x8 for 38915	V6067	37085	Screw 8x25 for 38915	V705616
19870	Stator 120/60 for 38915	S8562	19694	Screw M8x10 for 38915	V6075	19713	Screw Sharpener for 38915	V7710
77597	Washer Bracket A310 for 38915	S9009	37029	Screw STEI U5929 M8x20 for 38915	V6079	37091	Screw H for 38915	V7730
77527	Protec. Support for 38915	S9185	77544	Vite STEI U5923 M10x35 for 38915	V6088	17503	Screw M5x13 for 38915	V7908
77572	Bracket for Plate Rod for 38915	S9188	19697	Screw M5x16 for 38915	V6211	19715	Screw Sharpener for 38915	V7910
19181	Bracket Support for 38915	S9192	19699	Screw M4x25 for 38915	V6231	17504	Bar Screw M6x14 H/L-C Stainless Steel for 38915	V7915

# Parts Breakdown

---

## Model MS-IT-0370-H 38915

Item No.	Description	Position	Item No.	Description	Position	Item No.	Description	Position
19717	Screw M6x50 for 38915	V7917	16987	Special Screw M6x15 for 38915	V8020	37113	Screw for Carr. Index M8x25 for 38915	V8099
19720	Screw M6 for 38915	V7934	37102	Screw M6x20 for 38915	V8035	77581	Special Screw M10x18 for 38915	V8103
37095	Screw for Rod 6x13 for 38915	V7993A	19920	Screw M8x30 for 38915	V8036	77582	Special Screw Ø8x15 for 38915	V8104
19724	Screw H for 38915	V8001	77580	Stainless Steel Screw M8x16 for 38915	V8051	77532	Special Screw M8x40 for 38915	V8121