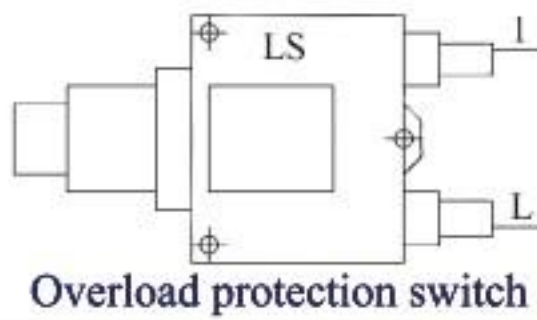


Power input wire

L
N

PE



Master stop Timer ON

micro switch KW9(safety guard)

micro switch KW9(bowl)

wire socket

1 2 3 4 5 6 7 8 9 10 11 12

A1 1L1 3L2 5L3 2T1 4T2 6T3 22NO A2

KM

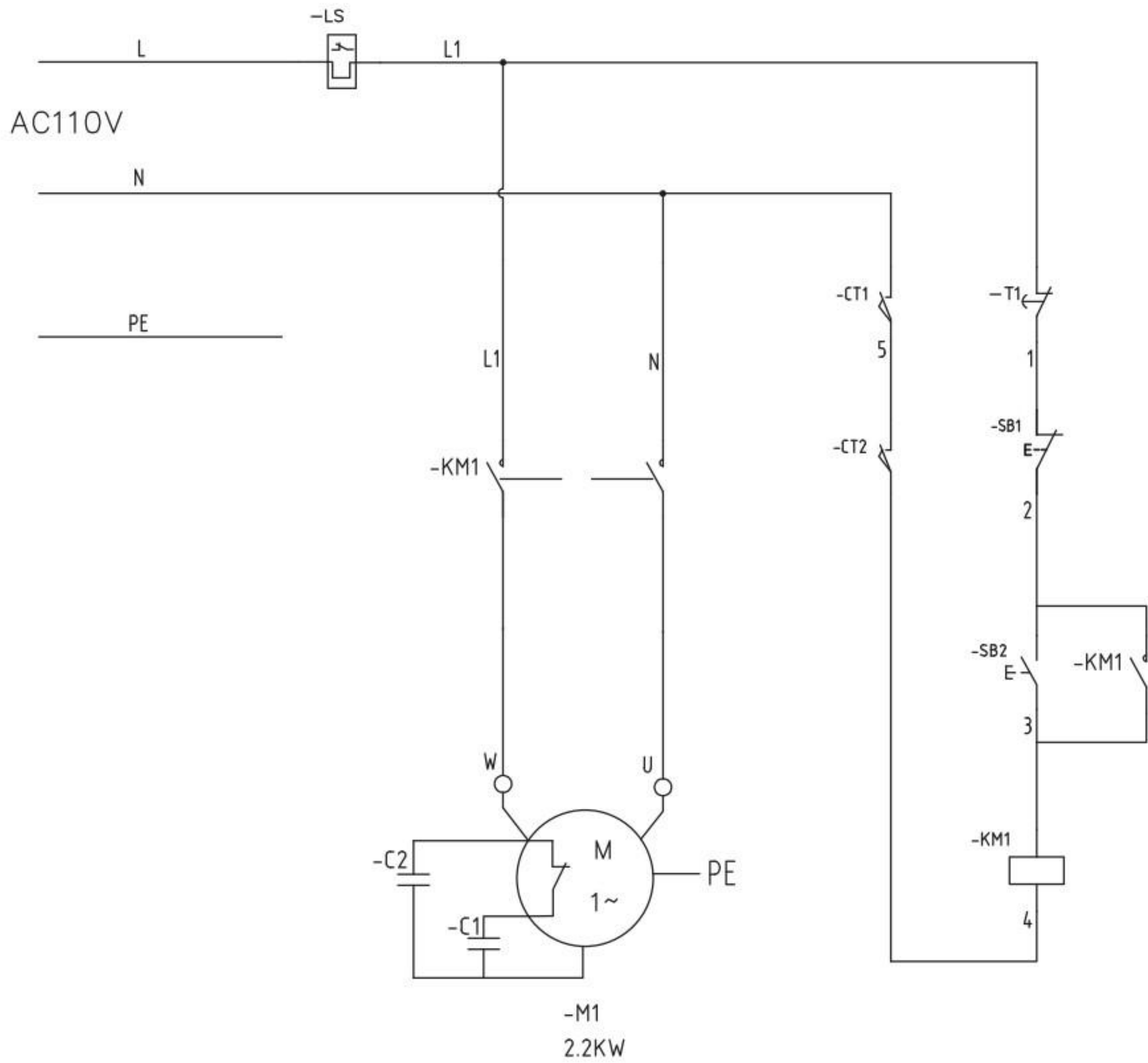
60uF/450VAC
400uF/125VAC

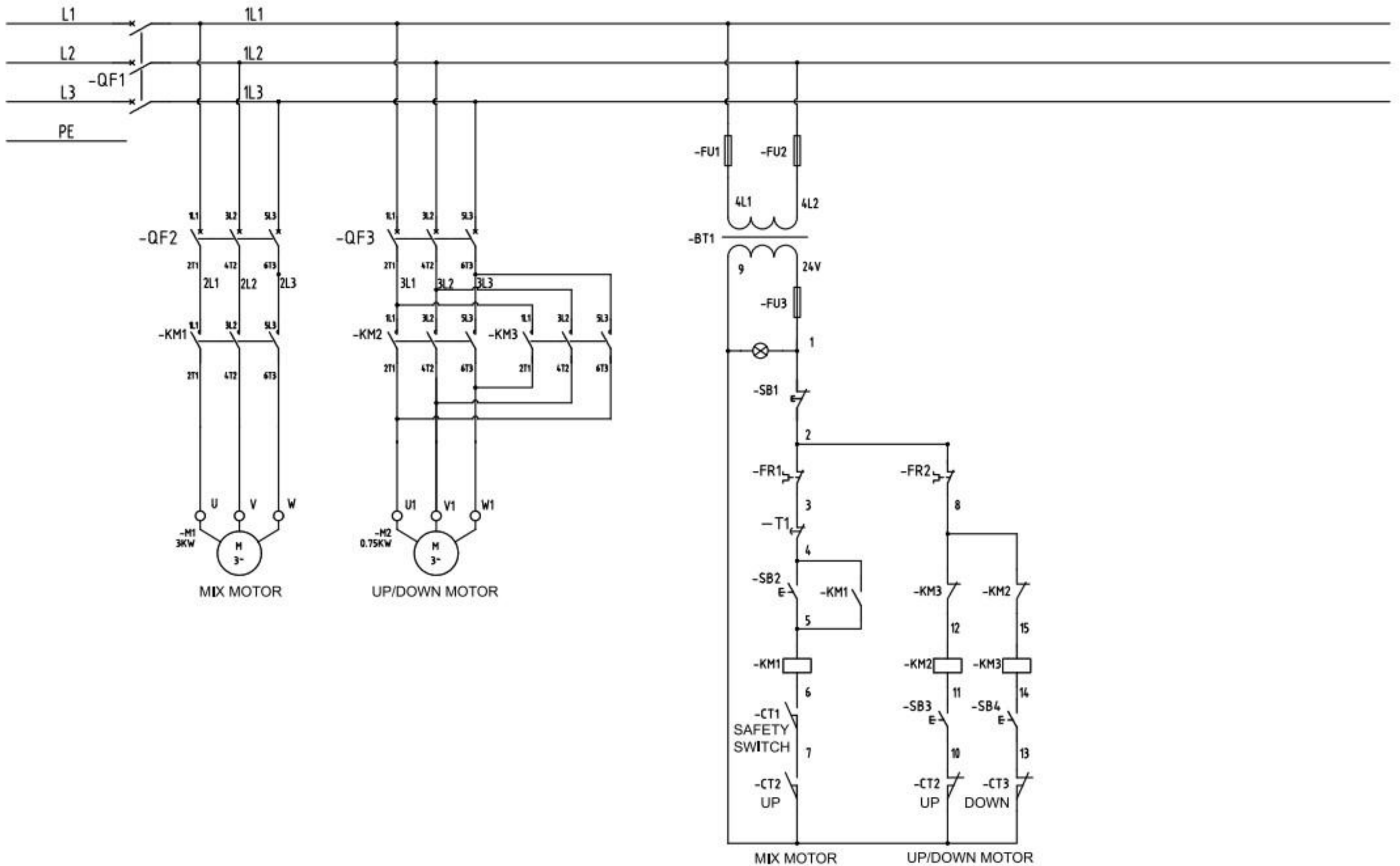
C2 C1

M 1.5KW



(red) (black)
V U C W
(yellow) (blue)





MIX MOTOR

UP/DOWN MOTOR

MIX MOTOR

UP/DOWN MOTOR