



Aurora Refrigerated Prep Units

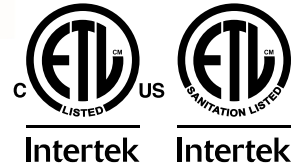
*Models PT-CN-0686E-HC, 1194E-HC, 0711E-HC, 1537E-HC,
1270E-HC, 1829E-HC*

Items 59045, 59046, 59049, 59051, 59042, 59043

Instruction Manual



Revised - 02/09/2023



Toll Free: 1-800-465-0234
Fax: 905-607-0234
Email: service@omcan.com
www.omcan.com



Table of Contents

Model PT-CN-0686E-HC / Model PT-CN-1194E-HC / Model PT-CN-0711E-HC
Model PT-CN-1537E-HC / Model PT-CN-1270E-HC / Model PT-CN-1829E-H

Section	Page
Disclaimer -----	3
General Information -----	4 - 5
Safety and Warranty -----	5 - 7
Technical Specifications -----	7 - 9
Installation -----	9 - 11
Maintenance -----	11 - 12
Troubleshooting -----	12 - 13
Controller Instructions -----	14 - 16
Parts Breakdown -----	17 - 28
Electrical Schematics -----	29 - 34
Warranty Registration -----	35

Disclaimer

OMCAN IS NOT RESPONSIBLE FOR ANY DAMAGES DUE TO WATER LEAKS. WARRANTY FOR WATER LEAKS IS VOID IF THE AMBIENT ROOM TEMPERATURE EXCEEDS 75°F AND 55% RELATIVE HUMIDITY, AND THE APPLIANCE DRAIN IS NOT CONNECTED DIRECTLY TO A FLOOR DRAIN.

OMCAN N'EST PAS RESPONSABLE DES DOMMAGES DUS AUX FUITES D'EAU. LA GARANTIE POUR LES FUITES D'EAU EST ANNULÉE SI LA TEMPÉRATURE AMBIANTE DE LA PIÈCE DÉPASSE 75°F ET 55% D'HUMIDITÉ RELATIVE, ET SI LE DRAIN DE L'APPAREIL N'EST PAS RACCORDÉ DIRECTEMENT À UN DRAIN DE PLANCHER.

OMCAN NO SE HACE RESPONSABLE DE LOS DAÑOS CAUSADOS POR FUGAS DE AGUA. LA GARANTÍA POR FUGAS DE AGUA QUEDA ANULADA SI LA TEMPERATURA AMBIENTE SUPERA LOS 75°F Y EL 55% DE HUMEDAD RELATIVA, Y EL DESAGÜE DEL APARATO NO ESTÁ CONECTADO DIRECTAMENTE A UN DESAGÜE DE PISO.

General Information

Omcan Manufacturing and Distributing Company Inc., Food Machinery of America, Inc. dba Omcan and Omcan Inc. are not responsible for any harm or injury caused due to any person's improper or negligent use of this equipment. The product shall only be operated by someone over the age of 18, of sound mind, and not under the influence of any drugs or alcohol, who has been trained in the correct operation of this machine, and is wearing authorized, proper safety clothing. Any modification to the machine voids any warranty, and may cause harm to individuals using the machine or in the vicinity of the machine while in operation.

CHECK PACKAGE UPON ARRIVAL

Upon receipt of [an](#) Omcan shipment please inspect for external damage. If no damage is evident on the external packaging, open carton to ensure all ordered items are within the box, and there is no concealed damage to the machine. If the package has suffered rough handling, bumps or damage (visible or concealed), please note it on the bill of lading before accepting the delivery and contact Omcan within 24 hours, so we may initiate a claim with the carrier. A detailed report on the extent of the damage caused to the machine must be filled out within three days, from the delivery date shown in the shipping documents. Omcan has no recourse for damaged products that were shipped collect or third party.

Before operating any equipment, always read and familiarize yourself with all operation and safety instructions.

Omcan would like to thank you for purchasing this machine. It's of the utmost importance to save these instructions for future reference. Also save the original box and packaging for shipping the equipment if servicing or returning of the machine is required.

Omcan Fabrication et distribution Compañie Limité et Food Machinery d'Amérique, dba Omcan et Omcan Inc. ne sont pas responsables de tout dommage ou blessure causé du fait que toute personne ait utilisé cet équipement de façon irrégulière. Le produit ne doit être exploité que par quelqu'un de plus de 18 ans, saine d'esprit, et pas sous l'influence d'une drogue ou d'alcool, qui a été formé pour utiliser cette machine correctement, et est vêtu de vêtements de sécurité approprié. Toute modification de la machine annule toute garantie, et peut causer un préjudice à des personnes utilisant la machine ou des personnes à proximité de la machine pendant son fonctionnement.

VÉRIFIEZ LE COLIS DÈS RÉCEPTION

Dès réception d'une expédition d'Omcan veuillez inspecter pour dommages externes. Si aucun dommage n'est visible sur l'emballage externe, ouvrez le carton afin de s'assurer que tous les éléments commandés sont dans la boîte, et il n'y a aucun dommage dissimulé à la machine. Si le colis n'a subi aucune mauvaises manipulations, de bosses ou de dommages (visible ou cachée), notez-le sur le bond de livraison avant d'accepter la livraison et contactez Omcan dans les 24 heures qui suivent, pour que nous puissions engager une réclamation auprès du transporteur. Un rapport détaillé sur l'étendue des dommages causés à la machine doit être rempli dans un délai de trois jours, à compter de la date de livraison indiquée dans les documents d'expédition. Omcan n'a aucun droit de recours pour les produits endommagés qui ont été expédiés ou cueilli par un tiers transporteur.



General Information

Avant d'utiliser n'importe quel équipement, toujours lire et vous familiariser avec toutes les opérations et les consignes de sécurité.

Omcan voudrais vous remercier d'avoir choisi cette machine. Il est primordial de conserver ces instructions pour une référence ultérieure. Également conservez la boîte originale et l'emballage pour l'expédition de l'équipement si l'entretien ou le retour de la machine est nécessaire.

Omcan Empresa De Fabricacion Y Distribucion Inc. Y Maquinaria De Alimentos De America, Inc. dba Omcan y Omcan Inc. no son responsables de ningun daño o perjuicio causado por cualquier persona inadecuada o el uso descuidado de este equipo. El producto solo podra ser operado por una persona mayor de 18 años, en su sano juicio y no bajo alguna influencia de droga o alcohol, y que este ha sido entrenado en el correcto funcionamiento de esta máquina, y ésta usando ropa apropiada y autorizada. Cualquier modificación a la máquina **anula** la garantía y puede causar daños a las personas usando la máquina mientras esta en el funcionamiento.

REVISE EL PAQUETE A SU LLEGADA

Tras la recepcion de un envio Omcan favor inspeccionar daños externos. Si no hay daños evidentes en el empaque exterior, Habra el carton para asegurarse que todos los articulos solicitados estén dentro de la caja y no encuentre daños ocultos en la máquina. Si el paquete ha sufrido un manejo de poco cuidado, golpes o daños (visible o oculto) por favor anote en la factura antes de aceptar la entrega y contacte Omcan dentro de las 24 horas, de modo que podamos iniciar una reclamación con la compañía. Un informe detallado sobre los daños causados a la máquina debe ser llenado en el plazo de tres días, desde la fecha de entrega que se muestra en los documentos de envío. Omcan no tiene ningun recurso por productos dañados que se enviaron a recoger por terceros.

Antes de utilizar cualquier equipo, siempre lea y familiarizarse con todas las instrucciones de funcionamiento y seguridad.

Omcan le gustaría darle las gracias por la compra de esta máquina. Es de la mayor importancia para salvar estas instrucciones para futuras consultas. Además, guarda la caja original y el embalaje para el envío del equipo si servicio técnico o devolución de la máquina que se requiere.

Safety and Warranty

Please pay close attention to the safety notices in this section. Disregarding these notices may lead to serious injury and/or damage to the unit.

ATTENTION

- To minimize shock and fire hazards, be sure not to overload outlet. Please designate one outlet for your unit.

Safety and Warranty

- Do not use extension cords.
- Do not put your hands under the unit when the unit is required to be moved.
- When the unit is not in use for a long period of time, please unplug the unit from the outlet.
- After unplugging the unit, wait at least 10 minutes before re-plugging it. Failure to do so could cause damage to the compressor.

UNPLUG CORD

- To minimize shock and fire hazards, please do not plug or unplug the cord with wet hands.
- During maintenance and cleaning, please unplug the unit.

PROPER GROUNDING REQUIRED

- To minimize shock and fire hazards, make sure that the unit is properly grounded.

PROHIBITION

- Do not attempt to remove or repair any component unless instructed by factory.
- Make sure that the unit is not resting on or against the electrical cord and plug.
- To minimize personal injury, do not hang on the doors.
- Do not store any flammable and explosive gas or liquids inside the unit.
- Do not attempt to alter or tamper with the electrical cord.

RESIDENTIAL USERS: Vendor assumes no liability for parts or labor coverage for component failure or other damages resulting from installation in non-commercial or residential applications. The right is reserved to deny shipment for residential usage; if this occurs, you will be notified as soon as possible.

2 YEARS PARTS AND LABOUR / 5 YEARS PARTS ONLY ON COMPRESSOR WARRANTY

Within the warranty period, contact Omcan Inc. at 1-800-465-0234 to schedule an Omcan authorized service technician to repair the equipment locally.

Unauthorized maintenance will void the warranty. Warranty covers electrical and part failures, not improper use.

Please see <https://omcan.com/disclaimer> for complete info.

WARNING:

The packaging components are classified as normal solid urban waste and can therefore be disposed of without difficulty.



Safety and Warranty

In any case, for suitable recycling, we suggest disposing of the products separately (differentiated waste) according to the current norms.

DO NOT DISCARD ANY PACKAGING MATERIALS IN THE ENVIRONMENT!

Technical Specifications

REFRIGERATED PREP TABLES

Model	PT-CN-0686E-HC	PT-CN-1194E-HC
Temperature Range	0.6 - 4.4°C / 33 - 40°F	
Max Ambient Temp Rating	24°C / 75°F	
Power	372 W	408 W
Refrigerant	R290	
Isolation Material	Cyclopentane	
Cooling System	Ventilated	
Defrosting	Automatic	
Type of Controller	Digital	
Self-Closing Door	Yes	
Current	3.6A	4.08A
Number of Doors	1	2
Number of Shelves	1	2
Shelf Material	Plastic Coated	
Shelf Loading Capacity	88 lbs. / 39.9 kgs.	
Electrical	110-120V / 60Hz / 1	
Interior Dimensions	24.2" x 19.8" x 23.5" 615 x 504 x 597mm	43" x 19.8" x 23.5" 1091 x 504 x 597mm
Overall Dimensions	27.5" x 29.5" x 41.5" 698 x 750 x 1055mm	46.8" x 29.5" x 41.5" 1188 x 750 x 1055mm
Packaging Dimensions	32.7" x 34.6" x 45.7" 830 x 880 x 1160mm	52" x 34.6" x 45.7" 1320 x 880 x 1160mm
Net Volume	201 L / 7.1 cu.ft.	357 L / 12.6 cu.ft.
Weight	176.4 lbs. / 80 kgs.	253.5 lbs. / 115 kgs.
Packaging Weight	231.5 lbs. / 105 kgs.	348.3 lbs. / 158 kgs.
Item Number	59045	59046

Technical Specifications

MEGA REFRIGERATED PREP TABLES

Model	PT-CN-0711E-HC	PT-CN-1537E-HC
Temperature Range	0.6 - 4.4°C / 33 - 40°F	
Max Ambient Temp Rating	24°C / 75°F	
Power	372 W	504 W
Refrigerant	R290	
Isolation Material	Cyclopentane	
Cooling System	Ventilated	
Defrosting	Automatic	
Type of Controller	Digital	
Self-Closing Door	Yes	
Current	3.6A	5.04A
Number of Doors	1	2
Number of Shelves	1	2
Shelf Material	Plastic Coated	
Shelf Loading Capacity	88 lbs. / 39.9 kgs.	
Electrical	110-120V / 60Hz / 1	
Interior Dimensions	24.2" x 19.8" x 23.5" 615 x 504 x 597mm	66.6" x 19.8" x 23.5" 1691 x 504 x 597mm
Overall Dimensions	27.5" x 34" x 45.1" 698 x 864 x 1146mm	60.2" x 34" x 45.1" 1529 x 864 x 1146mm
Packaging Dimensions	32.7" x 39.2" x 49" 830 x 995 x 1245mm	65.4" x 39.2" x 49" 1660 x 995 x 1245mm
Net Volume	201 L / 7.1 cu.ft.	469 L / 16.6 cu.ft.
Weight	198.4 lbs. / 90 kgs.	341.7 lbs. / 155 kgs.
Packaging Weight	251.3 lbs. / 114 kgs.	427.7 lbs. / 194 kgs.
Item Number	59049	59051



Technical Specifications

PIZZA REFRIGERATED PREP TABLES

Model	PT-CN-1270E-HC	PT-CN-1829E-HC
Temperature Range	0.6 - 4.4°C / 33 - 40°F	
Max Ambient Temp Rating	24°C / 75°F	
Power	336 W	552 W
Refrigerant	R290	
Isolation Material	Cyclopentane	
Cooling System	Ventilated	
Defrosting	Automatic	
Type of Controller	Digital	
Self-Closing Door	Yes	
Current	3.36A	5.52A
Number of Doors	1	2
Number of Shelves	1	2
Shelf Material	Plastic Coated	
Shelf Loading Capacity	88 lbs. / 39.9 kgs.	
Electrical	110-120V / 60Hz / 1	
Interior Dimensions	22.3" x 23.2" x 22.9" 566 x 590 x 582mm	45" x 27.2" x 22.9" 1143 x 690 x 582mm
Overall Dimensions	44.5" x 31.5" x 39.4" 1131 x 800 x 1002mm	67.3" x 31.5" x 39.4" 1709 x 800 x 1002mm
Packaging Dimensions	49.8" x 36.6" x 45.9" 1265 x 930 x 1165mm	76" x 36.6" x 45.9" 1930 x 930 x 1165mm
Net Volume	220 L / 7.8 cu.ft.	442 L / 15.6 cu.ft.
Weight	187.4 lbs. / 85 kgs.	244.7 lbs. / 111 kgs.
Packaging Weight	264.6 lbs. / 120 kgs.	354.9 lbs. / 161 kgs.
Item Number	59042	59043

Installation

IMPORTANT!!! PLEASE READ BEFORE INSTALLATION

- If the unit has recently been transported. Please let unit stand still for a minimum of 24 hours before plugging it in.
- Make sure that the unit drops down to desired temperature before loading the unit with product.
- Make sure that there is proper ventilation around the unit in the area where it will operate.

Installation

- Make sure all accessories are installed (i.e. shelves, shelf clips, casters) before plugging the unit in.
- Please read through the Operation / Owner's Manual in its entirety.

CABINET LOCATION GUIDELINES

- Install the unit on strong and leveled surfaces.
 - Unit may make unpleasant noises if surface is uneven.
 - Unit may malfunction if surface is uneven.
- Install the unit in [an](#) indoor, well-ventilated area.
 - Unit performs more efficiently in a well-ventilated area.
 - For best performance, please maintain clearance of 6" on the back of the unit.
 - Outdoor use may cause decreased efficiency and damage to the unit.
- Avoid installation in a high humidity and/or dusty area.
 - Humidity could cause unit to rust and decrease efficiency of the unit.
 - Dust collected on condenser coil will cause unit to malfunction. Clean the condenser at least once a month with a brush or clean cloth.
 - Malfunction due to dirty condenser will void warranty.
- Select a location away from heat and moisture-generating equipment.
 - High ambient temperature will cause the compressor to overwork, leading to higher energy bills and gradual breakdown of the unit.
 - Malfunction due to high ambient temperature will void warranty.

ELECTRICAL

Please ensure that the required voltage of the compressor is being supplied at all times. Low or high voltage can detrimentally affect the refrigeration unit. All units should be plugged into a grounded and properly-sized electrical outlet with appropriate overcurrent protection. Please refer to the electrical requirement on the nameplate of the unit. Please make sure that your unit has its own dedicated outlet. Do not use [an](#) extension cord.

TEMPERATURE CONTROLS

The temperature controls are factory-set to maintain [an](#) average temperature of 38°F in refrigeration. To maintain a different temperature, adjust it on the temperature controller—see *manual of temperature controller*.

CAUTION

Setting the temperature control to the coldest setting may cause the evaporator coil to freeze and ice up. This will eventually result in a warmer cabinet temperature.

LOADING PRODUCT

Shelves have been factory-installed for your convenience. Before loading shelves, please be sure that all shelf clips are completely fastened in their correct locations. It is important that all shelves rest completely level



Installation

before stocking your cabinet with product. In order to maintain correct air flow inside the unit, please be sure to leave two to four (2 to 4) inches of space between the back wall and stored product. Blocking the evaporator fans will result in a warmer cabinet temperature, and ultimately compressor failure.

DEFROST SYSTEMS

Refrigerator coils are kept below the freezing point (32°F). During compressor down-time, the evaporator fan continues to circulate air through the evaporator coil. This air circulation raises the coil temperature above the freezing point, melting any accumulated frost. Run-off water is drained into the evaporator pan and evaporated. Freezer coils are defrosted electrically. Automatic defrost timers are built-in to the refrigeration system and may not be adjusted. The defrost timers automatically initiate at pre-set intervals and for a pre-determined duration.

PLEASE NOTE: Excessive door opening should be avoided in order to maintain cabinet temperature and to eliminate the possibility of coil freeze-up.

LOADING FOOD PANS

Pizza prep units and sandwich prep units are designed to function with all pans in place, even if some pans are to be left empty. For maximum food freshness, fill the pans only with [an](#) amount that can be used in a specific usage period. During non-use, please close the insulated lid cover.

REVERSING THE DOORS (OPTIONAL)

Note: This only applies to the single door units.

Only perform these steps with another person present to ensure the door does not fall over.

1. Open the door.
2. Remove the screws from the top panel, then open the top panel.
3. Remove the screws of the bottom louver, then remove the louver.
4. Unscrew all of the screws from the upper hinge
5. Unscrew all of the screws from the lower hinge and remove the door and hinges.
6. Place the former upper hinge at the bottom of the unit, parallel to where the lower hinge is, do the same with the former lower hinge except for the top. Screw the hinges into place.
7. Reassemble the door so it is facing the opposite direction.
8. Reassemble the top panel and the lower louver.
9. The door is now reversed.

Maintenance

CLEANING THE CONDENSER COIL

- For efficient operation, it is important that the condenser surface be kept free of dust, dirt, and lint.

Maintenance

- We recommend cleaning the condenser coil and fins at least once per month.
- Clean with a commercial condenser coil cleaner, available from any kitchen equipment retailer. Brush the condenser fins from top to bottom, not side to side.
- After cleaning, straighten any bent condenser fins with a fin comb.

CLEANING THE FAN BLADE AND MOTOR

- If necessary, clean the fan blades and motor with a soft cloth, If it is necessary to wash the fan blades, cover the fan motor to prevent moisture damage.

CLEANING THE INTERIOR OF UNIT

- When cleaning the cabinet interior, use a solvent of warm water and mild soap.
- Do not use steel wool, caustic soap, abrasive cleaners, or bleach that may damage the stainless steel surface.
- Wash door gaskets on a regular basis, preferably weekly. Simply remove door gasket from the frame of the door, soak in warm water and soap for thirty (30) minutes, dry with soft cloth, and replace.
- Check door gaskets for proper seal after they are replaced.
- Periodically remove the shelves and pilasters from the unit and clean them with mild soap and warm water. To remove the pilasters, first remove the shelves and shelf brackets. Then, simply lift the pilaster up and out.

WARNING

Disconnect power cord before cleaning any parts of the unit.

Troubleshooting

Before requesting any service on your unit, please check the following points. Please note that this guide serve only as a reference for solutions to common problems.

SYMPTOM	POSSIBLE CAUSE	CORRECTIVE ACTION
Compressor not running.	Fuse blown or circuit breaker tripped.	Replace fuse or reset circuit breaker.
	Power cord unplugged.	Plug in power cord.
	Thermostat set too high.	Set thermostat to lower Temperature.
	Cabinet in defrost cycle.	Wait for defrost cycle to finish.

Troubleshooting

Condensing unit runs for long periods of time.	Excessive amount of warm product Placed in cabinet.	Allow adequate time for Product to cool down.
	Prolonged door opening or door ajar.	Ensure doors are closed when not in use. Avoid opening doors for long periods of time.
	Door gasket(s) not sealing properly.	Ensure gaskets are snapped in Completely. Remove gasket and Wash with soap and water.
		Check condition of gasket and replace if necessary.
	Dirty condenser coil.	Clean the condenser coil.
	Evaporator coil iced over.	Unplug unit and allow coil to defrost. Make sure thermostat is not set too cold. Ensure that door gasket(s) are sealing properly.
Cabinet is noisy.	Loose part(s).	Locate and tighten loose part(s).
	Tubing vibration.	Ensure tubing is free from contact with other tubing or components.
Cabinet Temperature Is too warm.	Thermostat set too warm.	Set thermostat to lower Temperature.
	Blocking air flow.	Re-arrange product to allow for Proper air flow. Make sure there Is at least four inches of clearance from evaporator.
	Excessive amount of warm product Placed in cabinet.	Allow adequate time for product to cool down.
	Fuse blown or circuit breaker tripped.	Replace fuse or reset circuit breaker.
	Dirty condenser coil.	Clean the condenser coil.
	Prolonged door opening or door ajar.	Ensure doors are closed when not in use. Avoid opening doors for long periods of time.
	Evaporator coil iced over.	Unplug unit and allow coil to defrost. Make sure thermostat is not set too cold. Ensure that door gasket(s) are sealing properly.

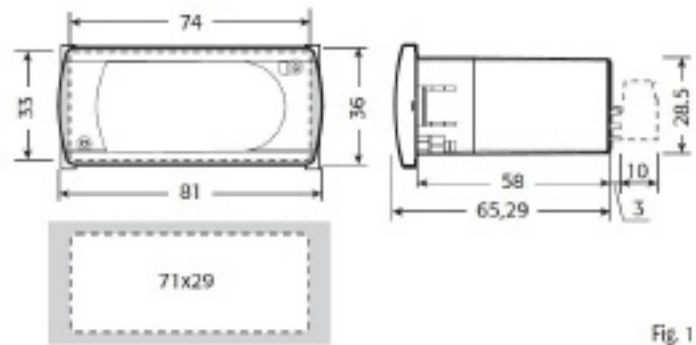
For service call 1-800-465-0234.

Controller Instructions

Digital controller model: PJEZ for cooler








Dimensioni (mm) / Dimensions (mm)



Display and functions


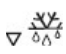

During normal operation, the controller displays the value of the probe set using parameter/4 (=1 ambient probe, default, = 2 second probe, = 3 third probe). In addition, the display has LEDs that indicate the activation of the control functions (see Table 1), while the 3 buttons can be used to activate/deactivate some of the functions (see Table 2).

LED's and Associated Functions (Table 1)

Icon	Function	Normal Operation			Start Up
		ON	OFF	Blink	
	Compressor	On	Off	Request	ON
	Fan	On	Off	Request	ON
	Defrost	On	Off	Request	ON
AUX	Aux	Output On	Output Off	-	ON
	Alarm	All	No Alarm	-	ON
	Clock	RTC fitted and enabled, at least 1 time band set	RTC not fitted or disabled, not even 1 time band set	-	ON if RTC fitted

Controller Instructions

Table of Functions activated by the buttons - Models S, X, Y, C (Table 2)

Button		Normal Operation		Start Up	
		Pressing the Button Alone	Pressed Together		
	Up ON/OFF	More than 3 sec: toggle ON/OFF	Start/Stop continuous cycle	-	
	Down Defrost	More than 3 sec: start/stop defrost			
	Set Mute	- 1 sec.: display/set the set point. - more than 3 secs.: access parameter setting menu (enter password) - mute audible alarm (buzzer)	-	Pressed together Start parameter reset procedure	For 1 sec. display firmware vers. code
					For 1 sec. RESET current EZY set

Setting the set point (desired temperature)

- press **SET** for 1 sec, the set value will start flashing after a few moments;
- increase or decrease the value using **UP** or **DOWN**;
- press **SET** to confirm the new value.

Switching the device ON/OFF

Press **UP** for more than 3 sec. The control and defrost algorithms are now disabled and the Instrument displays the message “OFF” alternating with the temperature read by the set probe

Manual defrost

Press for **DOWN** more than 3 sec (the defrost starts only the temperature conditions are valid).

Continuous cycle

Press **UP** and **DOWN** together for more than 3 sec

Access and setting type F (frequent) and type C (configuration) parameters

1. press **SET** for 3 sec (the display will show “PS”);
2. • to access the type F and C parameter menu, enter the password “22” using **UP/DOWN**, press **SET** to confirm;
• to access the F parameter menu only, press **SET** (without entering the password);
3. scroll inside the parameter menu using **UP/DOWN**;

Controller Instructions

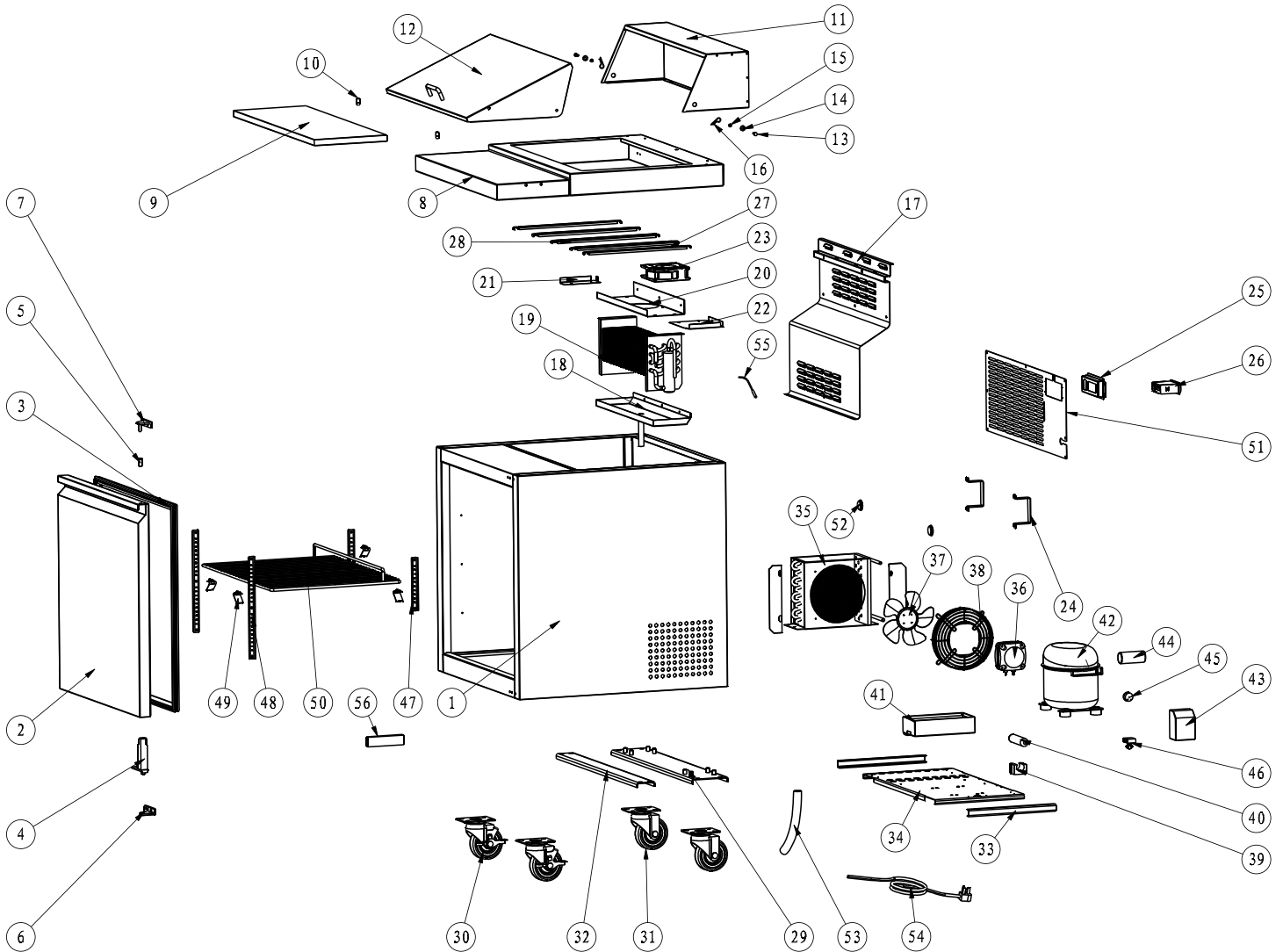
- to display/set the values of the parameter displayed, press **SET**, then **UP/DOWN** and finally **SET** to confirm the changes (returning to the parameter menu).

To save all the new values and exit the parameter menu, press **SET** for 3 s;

To exit the menu without saving the changed values (exit by timeout) do not press any button for at least 60 s.

Parts Breakdown

Model PT-CN-0686E-HC 59045



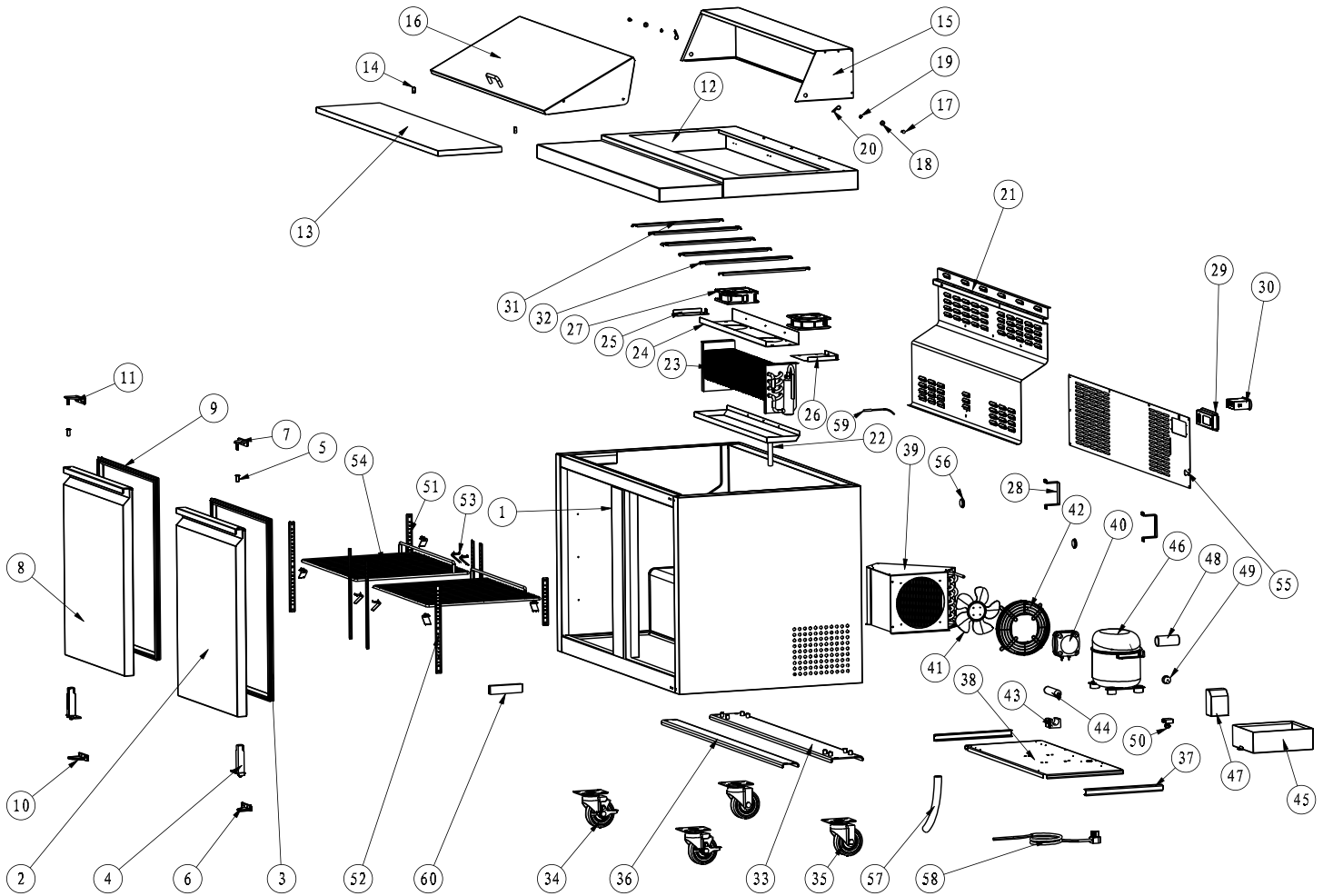
Parts Breakdown

Model PT-CN-0686E-HC 59045

Item No.	Description	Position	Item No.	Description	Position	Item No.	Description	Position
AF068	Cabinet for 59045	1	AL925	Right Clapboard of Evaporator for 59045	20	AB595	Filter Fixer for 59045	39
AL920	Door for 59045	2	AL926	Left Clapboard of Evaporator for 59045	21	AL968	Filter for 59045	40
AB250	Gasket for 59045	3	AL927	Evaporator Cover Support for 59045	22	AF087	Outer Drain Pan for 59045	41
AA955	Left/Right Spring Hinge for 59045	4	AL928	Evaporator Fan Motor for 59045	23	AF088	Compressor for 59045	42
AA388	Axis Cover for 59045	5	AF080	Stand Off Bracket for 59045	24	AL934	Compressor Starting Kit for 59045	43 - 46
AA360	Bottom Left Hinge for 59045	6	AB320	Thermostat Installation Board for 59045	25	AF089	K Strip-2 Holes for 59045	47
AF070	Upper Right Hinge for 59045	7	AL929	Thermostat for 59045	26	AF090	K Strip-3 Holes for 59045	48
AF071	Top Board for 59045	8	AL930	Pan Bracket-15 for 59045	27	26884	K Clip for 59045	49
AF072	Cutting Board for 59045	9	AL931	Pan Bracket-25 for 59045	28	AK197	Middle Shelf for 59045	50
AB253	Fixer for Cutting Board for 59045	10	AF083	Castor Support for 59045	29	AL935	Thermostat Installation Board for 59045	51
AL921	Back Cover for 59045	11	26247	Caster without Brake for 59045	30	AB169	Foaming Hole Cover for 59045	52
AL922	Lid for 59045	12	26246	Caster with Brake for 59045	31	AA133	Drain Hose for 59045	53
AB256	Dowel for 59045	13	AF084	Assembling Panel Support for 59045	32	AA135	Power Cord for 59045	54
AB257	Plastic Bolt for 59045	14	AF085	Compressor Unit Track for 59045	33	AA379	Temperature Probe for 59045	55
AB258	Nut for 59045	15	AF086	Compressor Unit Installation Board for 59045	34	AA596	Thermometer for 59045	56
AB259	Splint Pin for 59045	16	AB159	Condenser for 59045	35	AL936	Evaporator Fan Cover for 59045	57
AL923	Evaporator Cover Support for 59045	17	AL932	Condenser Fan Motor for 59045	36	AL937	Back Grill for 59045	58
AF076	Inner Drain Pan for 59045	18	AI391	Blade of Condenser Fan Motor for 59045	37	AL938	Pan Bracket Support for 59045	59
AL924	Evaporator for 59045	19	AL933	Condenser Fan Cover for 59045	38	AL939	Left Compressor Unit Track for 59045	60

Parts Breakdown

Model PT-CN-1194E-HC 59046



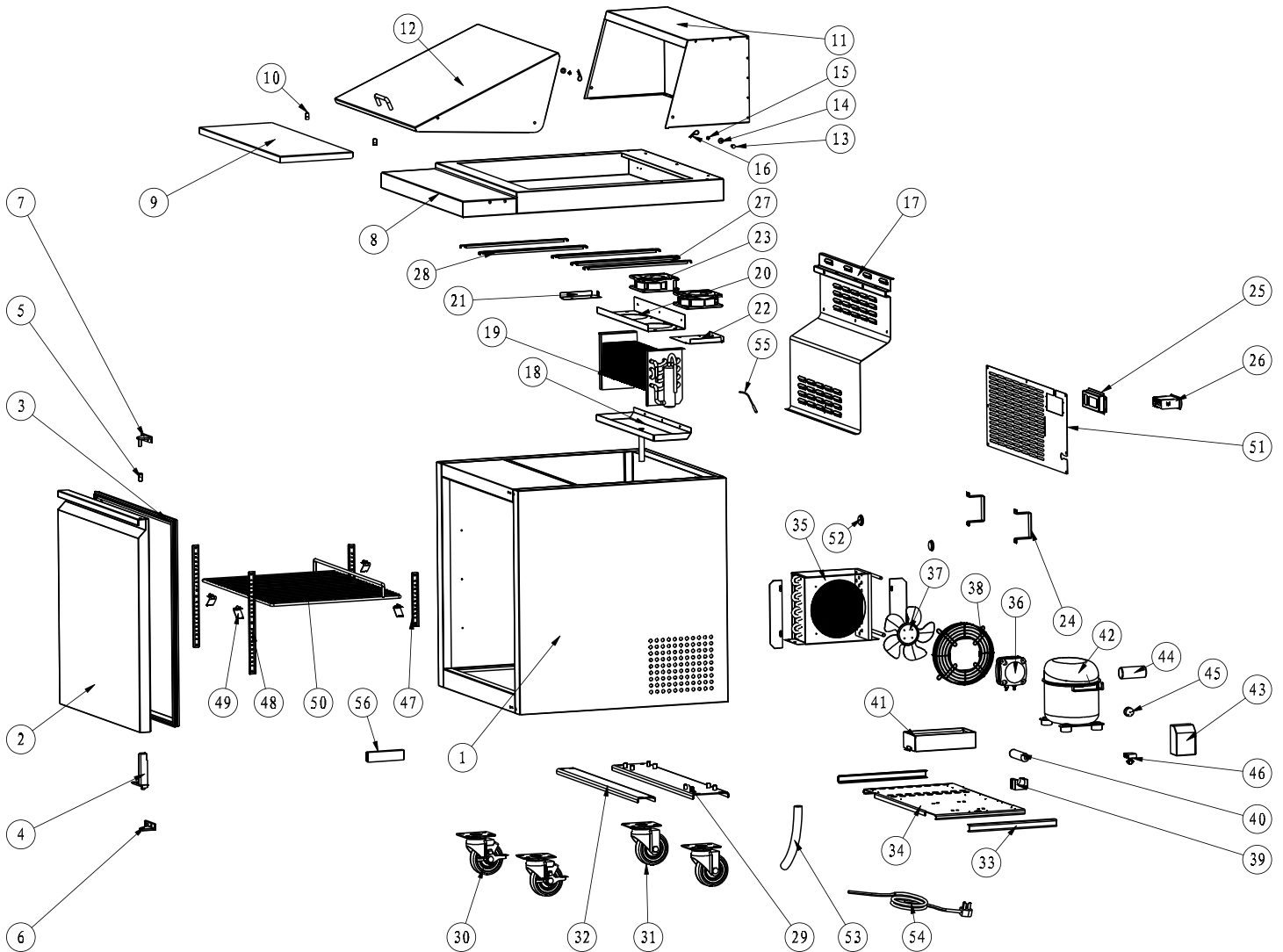
Parts Breakdown

Model PT-CN-1194E-HC 59046

Item No.	Description	Position	Item No.	Description	Position	Item No.	Description	Position
AF092	Cabinet for 59046	1	AF100	Inner Drain Pan for 59046	22	AL932	Condenser Fan Motor for 59046	42
AL940	Right Door for 59046	2	AL945	Evaporator for 59046	23	AL391	Blade of Condenser Fan Motor for 59046	43
AB197	Gasket for 59046	3, 9	AL925	Right Clapboard of Evaporator for 59046	24	AL933	Condenser Fan Cover for 59046	44
AA955	Left/Right Spring Hinge for 59046	4	AL926	Left Clapboard of Evaporator for 59046	25	AB595	Filter Fixer for 59046	45
AA388	Axis Cover for 59046	5	AL927	Evaporator Cover Support for 59046	26	AI968	Filter for 59046	46
AA360	Bottom Right Hinge for 59046	6	AL946	Evaporator Fan Motor for 59046	27	AA874	Outer Drain Pan for 59046	47
AF070	Upper Right Hinge for 59046	7	AF080	Stand Off Bracket for 59046	28	AI372	Compressor for 59046	48
AL941	Left Door for 59046	8	AB320	Thermostat Installation Board for 59046	29	AI373	Compressor Starting Components for 59046	49 - 52
61468	Left Bottom Hinge for 59046	10	AL929	Thermostat for 59046	30	AF089	K Strip-2 Holes for 59046	53
AB200	Upper Left Hinge for 59046	11	AL947	Pan Bracket Support for 59046	31	AF090	K Strip-3 Holes for 59046	54
AF095	Top Board for 59046	12	AL930	Pan Bracket-15 for 59046	32	26884	K Clip for 59046	55
AF096	Cutting Board for 59046	13	AL931	Pan Bracket-25 for 59046	33	AB220	Shelf for 59046	56
AB253	Fixer for Cutting Board for 59046	14	AF104	Castor Support for 59046	34	AL948	Thermostat Installation Board for 59046	57
AL942	Back Cover for 59046	15	26247	Caster without Brake for 59046	35	AL949	Back Grill for 59046	58
AL943	Lid for 59046	16	26246	Caster with Brake for 59046	36	AB169	Foaming Hole Cover for 59046	59
AB256	Dowel for 59046	17	AF105	Assembling Panel Support for 59046	37	AA133	Drain Hose for 59046	60
AB257	Plastic Bolt for 59046	18	AL939	Left Compressor Unit Track for 59046	38	AA135	Power Cord for 59046	61
AB258	Nut for 59046	19	AF106	Compressor Unit Installation Board for 59046	39	AA379	Temperature Probe for 59046	62
AB259	Split Pin for 59046	20	AF085	Compressor Unit Track for 59046	40	AA596	Thermometer for 59046	63
AL944	Evaporator Cover for 59046	21	AB213	Condenser for 59046	41	AL950	Evaporator Fan Cover for 59046	64

Parts Breakdown

Model PT-CN-0711E-HC 59049



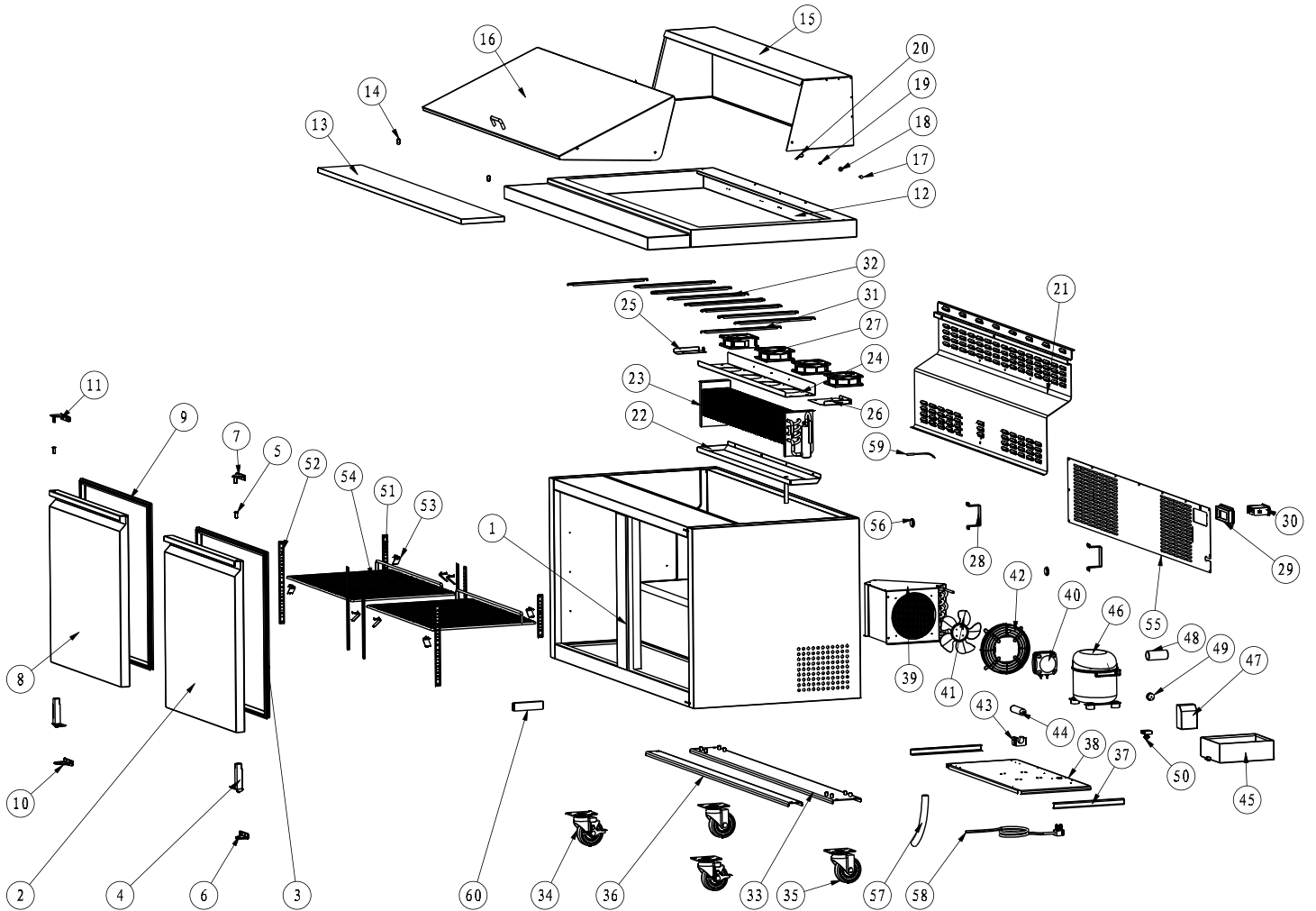
Parts Breakdown

Model PT-CN-0711E-HC 59049

Item No.	Description	Position	Item No.	Description	Position	Item No.	Description	Position
AF068	Cabinet for 59049	1	AL925	Right Clapboard of Evaporator for 59049	20	AB595	Filter Fixer for 59049	39
AL920	Door for 59049	2	AL926	Left Clapboard of Evaporator for 59049	21	AL968	Filter for 59049	40
AB250	Gasket for 59049	3	AL927	Evaporator Cover Support for 59049	22	AF087	Outer Drain Pan for 59049	41
AA955	Left/Right Spring Hinge for 59049	4	AL928	Evaporator Fan Motor for 59049	23	AF088	Compressor for 59049	42
AA388	Axis Cover for 59049	5	AF080	Stand Off Bracket for 59049	24	AL934	Compressor Starting Kit for 59049	43-46
AA360	Bottom Left Hinge for 59049	6	AB320	Thermostat Installation Board for 59049	25	AF089	K Strip-2 Holes for 59049	47
AF070	Upper Right Hinge for 59049	7	AL929	Thermostat for 59049	26	AF090	K Strip-3 Holes for 59049	48
AF135	Top Board for 59049	8	AL953	Pan Bracket-15 for 59049	27	26884	K Clip for 59049	49
AF136	Cutting Board for 59049	9	AL954	Pan Bracket-25 for 59049	28	AK197	Middle Shelf for 59049	50
AB253	Fixer for Cutting Board for 59049	10	AF083	Castor Support for 59049	29	AL935	Thermostat Installation Board for 59049	51
AL951	Back Cover for 59049	11	26247	Caster without Brake for 59049	30	AB169	Foaming Hole Cover for 59049	52
AL952	Lid for 59049	12	26246	Caster with Brake for 59049	31	AA133	Drain Hose for 59049	53
AB256	Dowel for 59049	13	AF084	Assembling Panel Support for 59049	32	AA135	Power Cord for 59049	54
AB257	Plastic Bolt for 59049	14	AF085	Compressor Unit Track for 59049	33	AA379	Temperature Probe for 59049	55
AB258	Nut for 59049	15	AF086	Compressor Unit Installation Board for 59049	34	AA596	Thermometer for 59049	56
AB259	Split Pin for 59049	16	AB159	Condenser for 59049	35	AL936	Evaporator Fan Cover for 59049	57
AL923	Evaporator Cover Support for 59049	17	AL932	Condenser Fan Motor for 59049	36	AL937	Back Grill for 59049	58
AF076	Inner Drain Pan for 59049	18	AI391	Blade of Condenser Fan Motor for 59049	37	AL938	Pan Bracket Support for 59049	59
AL924	Evaporator for 59049	19	AL933	Condenser Fan Cover for 59049	38	AL939	Left Compressor Unit Track for 59049	60

Parts Breakdown

Model PT-CN-1537E-HC 59051



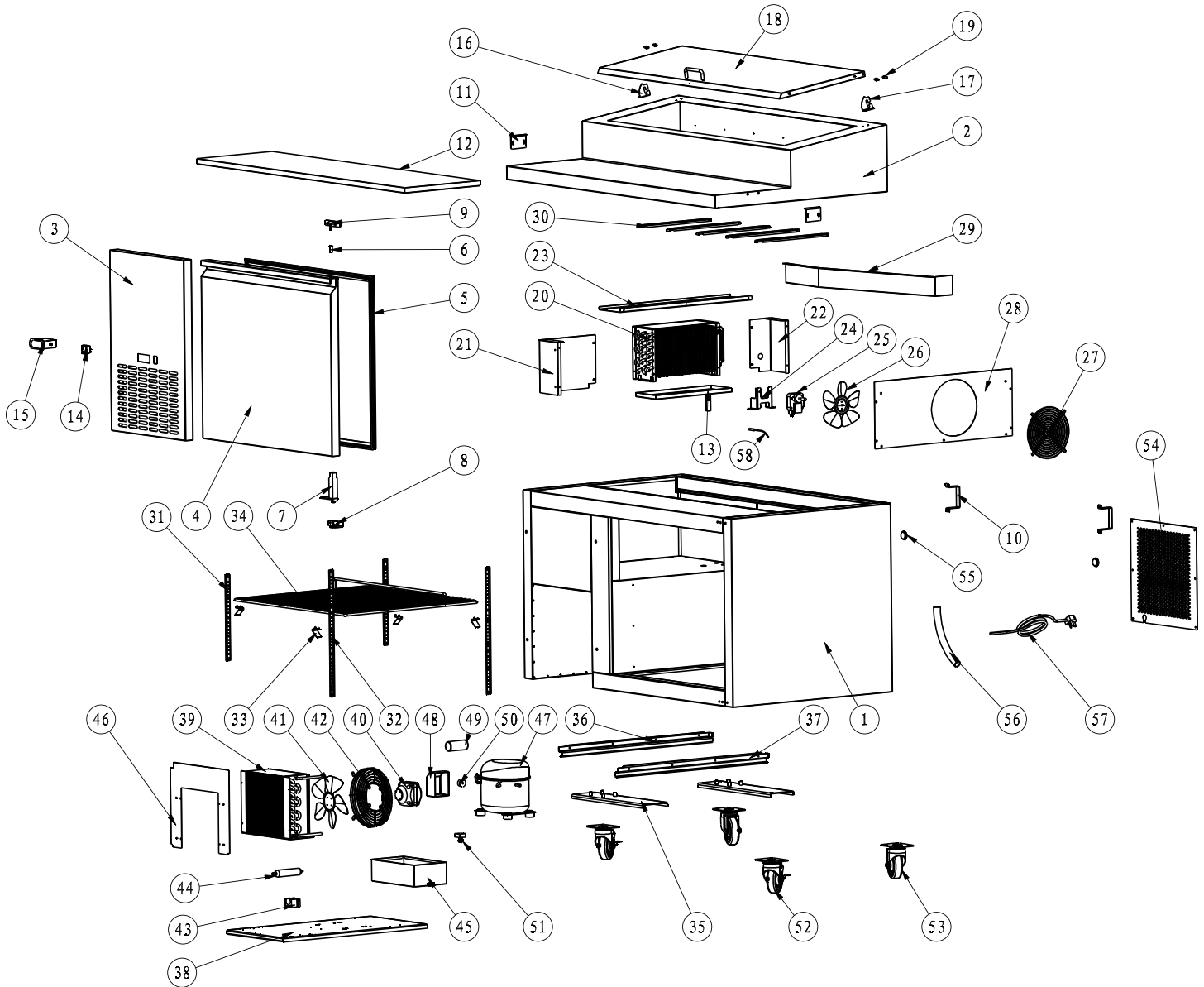
Parts Breakdown

Model PT-CN-1537E-HC 59051

Item No.	Description	Position	Item No.	Description	Position	Item No.	Description	Position
AF108	Cabinet for 59051	1	AF116	Inner Drain Pan for 59051	22	AL932	Condenser Fan Motor for 59051	42
AL955	Right Door for 59051	2	AI371	Evaporator for 59051	23	AI391	Blade of Condenser Fan Motor for 59051	43
AB363	Gasket 720x635mm for 59051	3, 9	AL925	Right Clapboard of Evaporator for 59051	24	AL933	Condenser Fan Cover for 59051	44
AA955	Left/Right Spring Hinge for 59051	4	AL926	Left Clapboard of Evaporator for 59051	25	AB595	Filter Fixer for 59051	45
AA388	Axis Cover for 59051	5	AL927	Evaporator Cover Support for 59051	26	AI968	Filter for 59051	46
AA360	Bottom Left Hinge for 59051	6	AL928	Evaporator Fan Motor for 59051	27	AA874	Outer Drain Pan for 59051	47
AF070	Upper Right Hinge for 59051	7	AF080	Stand Off Bracket for 59051	28	AI372	Compressor for 59051	48
AL956	Left Door for 59051	8	AB320	Thermostat Installation Board for 59051	29	AI373	Compressor Starting Components for 59051	49 - 52
61468	Left Bottom Hinge for 59051	10	AL929	Thermostat for 59051	30	AF089	K Strip-2 Holes for 59051	53
AB200	Upper Left Hinge for 59051	11	AL960	Pan Bracket Support for 59051	31	AF090	K Strip-3 Holes for 59051	54
AF147	Top Board for 59051	12	AL953	Pan Bracket-15 for 59051	32	26884	K Clip for 59051	55
AF148	Cutting Board for 59051	13	AL954	Pan Bracket-25 for 59051	33	AB388	Shelf for 59051	56
AB253	Fixer for Cutting Board for 59051	14	AF120	Castor Support for 59051	34	AL948	Thermostat Installation Board for 59051	57
AL957	Back Cover for 59051	15	26247	Caster without Brake for 59051	35	AL961	Back Grill for 59051	58
AL958	Lid for 59051	16	26246	Caster with Brake for 59051	36	AB169	Foaming Hole Cover for 59051	59
AB256	Dowel for 59051	17	AF121	Assembling Panel Support for 59051	37	AA133	Drain Hose for 59051	60
AB257	Plastic Bolt for 59051	18	AL939	Left Compressor Unit Track for 59051	38	AA135	Power Cord for 59051	61
AB258	Nut for 59051	19	AF106	Compressor Unit Installation Board for 59051	39	AA379	Temperature Probe for 59051	62
AB259	Split Pin for 59051	20	AF085	Compressor Unit Track for 59051	40	AA596	Thermometer for 59051	63
AL959	Evaporator Cover for 59051	21	AB213	Condenser for 59051	41	AL936	Evaporator Fan Cover for 59051	64

Parts Breakdown

Model PT-CN-1270E-HC 59042



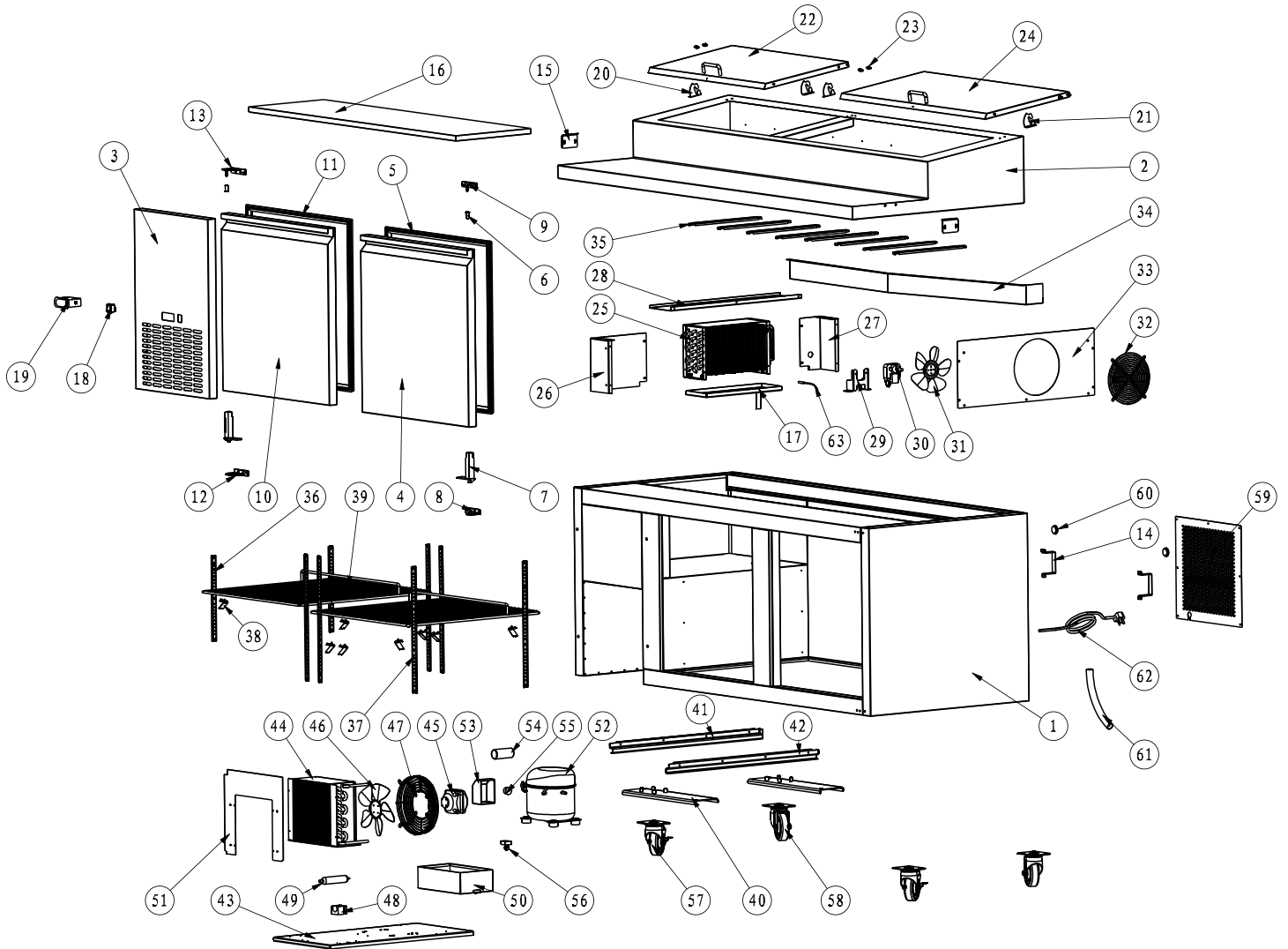
Parts Breakdown

Model PT-CN-1270E-HC 59042

Item No.	Description	Position	Item No.	Description	Position	Item No.	Description	Position
AL962	Cabinet for 59042	1	AB475	Lid Hinge Axis for 59042	19	AL985	Right Compressor Unit Track for 59042	37
AL963	Top Rail for 59042	2	AL973	Evaporator for 59042	20	AL986	Compressor Unit Installation Board for 59042	38
AL964	Control Panel for 59042	3	AL974	Left Support of Evaporator Cover for 59042	21	AB159	Condenser for 59042	39
AL965	Door for 59042	4	AL975	Right Support of Evaporator Cover for 59042	22	AI960	Condenser Fan Cover for 59042	42
AB500	Gasket for 59042	5	AL976	Upper Support of Evaporator Cover for 59042	23	AB595	Filter Fixer for 59042	43
AA388	Axis Cover for 59042	6	AL977	Evaporator Fan Motor Holder for 59042	24	AI968	Filter for 59042	44
AA955	Left/Right Spring Hinge for 59042	7	AL932	Condenser Fan Motor for 59042	25, 40	AA874	Outer Drain Pan for 59042	45
AA360	Bottom Left Hinge for 59042	8	AA962	Blade of Evaporator Fan Motor for 59042	26, 41	AL987	Air Shield Board for 59042	46
AF070	Upper Right Hinge for 59042	9	AA971	Evaporator Fan Motor Cover for 59042	27	AI386	Compressor for 59042	47
AL966	Stand Off Bracket for 59042	10	AL978	Evaporator Cover for 59042	28	AI392	Compressor Starting Components for 59042	48 - 51
AL967	Fixer for Cutting Board for 59042	11	AL979	Air Guide Sheet for 59042	29	26246	Caster with Brake for 59042	52
AL968	Cutting Board for 59042	12	AL980	Pan Bracket-25 for 59042	30	26247	Caster without Brake for 59042	53
AL969	Inner Drain Pan for 59042	13	AF090	K Strip-3 Holes for 59042	31	AL988	Back Grill for 59042	54
AA124	Power Switch for 59042	14	AL981	K Strip-4 Holes for 59042	32	AB169	Foaming Hole Cover for 59042	55
AL929	Thermostat for 59042	15	26884	K Clip for 59042	33	AA133	Drain Hose for 59042	56
AL970	Left Lid Hinge for 59042	16	AL982	Shelf for 59042	34	AA135	Power Cord for 59042	57
AL971	Right Lid Hinge for 59042	17	AL983	Castor Support for 59042	35	AA379	Temperature Probe for 59042	58
AL972	Lid for 59042	18	AL984	Left Compressor Unit Track for 59042	36			

Parts Breakdown

Model PT-CN-1829E-HC 59043



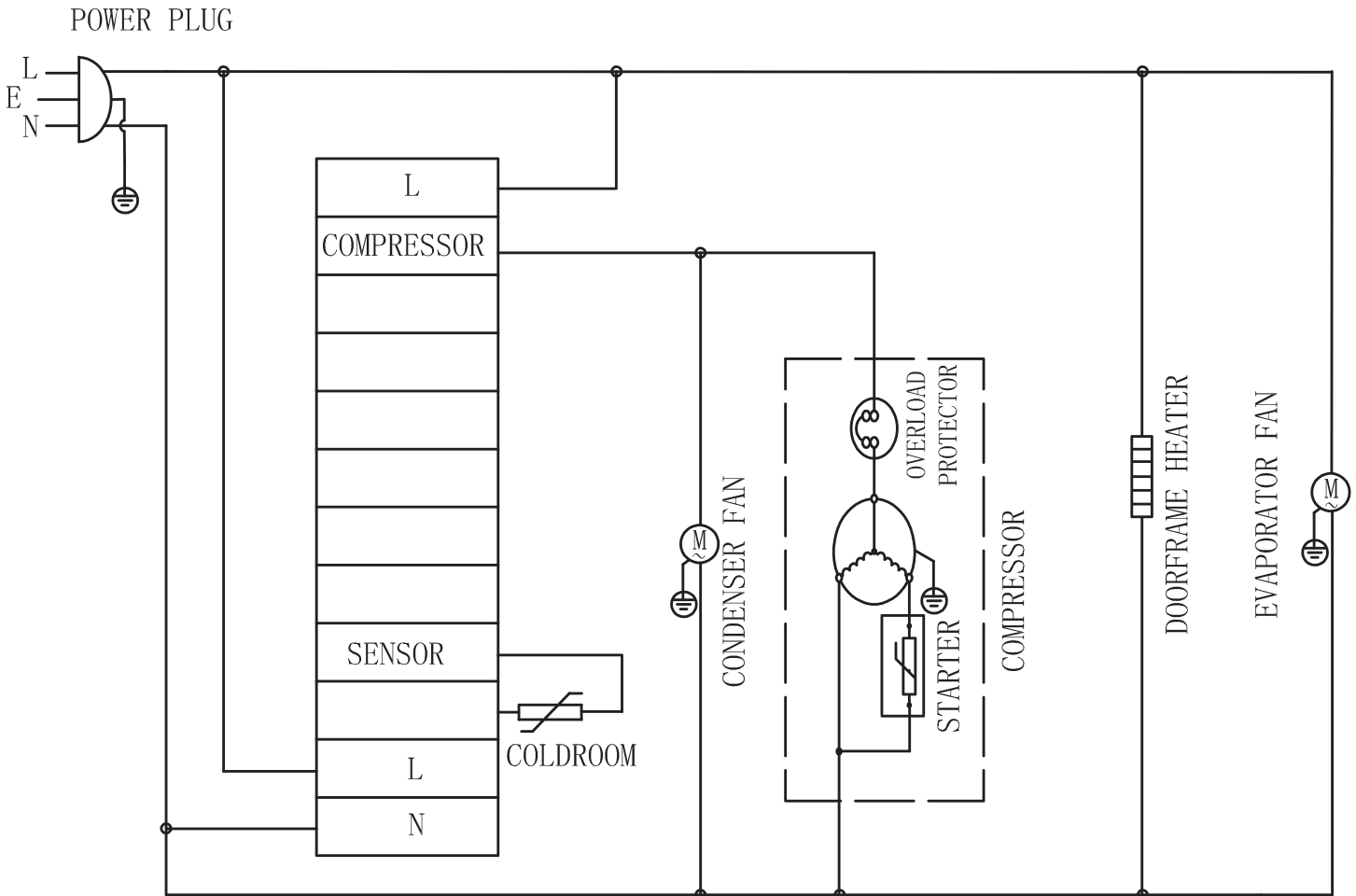
Parts Breakdown

Model PT-CN-1829E-HC 59043

Item No.	Description	Position	Item No.	Description	Position	Item No.	Description	Position
AL989	Cabinet for 59043	1	AL994	Lid for 59043	22	AL985	Right Compressor Unit Track for 59043	42
AL990	Top Rail for 59043	2	AB475	Lid Hinge Axis for 59043	23	AL986	Compressor Unit Installation Board for 59043	43
AL964	Control Panel for 59043	3	AL995	Lid for 59043	24	AB527	Condenser for 59043	44
AL991	Right Door for 59043	4	AL973	Evaporator for 59043	25	AG448	Evaporator Fan Motor for 59043	45
AB536	Gasket for 59043	5, 11	AL974	Left Support of Evaporator Cover for 59043	26	AA764	Condenser/Evaporator Fan Motor Blade for 59043	46
AA388	Axis Cover for 59043	6	AL975	Right Support of Evaporator Cover for 59043	27	AL996	Condenser Fan Cover for 59043	47
AA955	Left/Right Spring Hinge for 59043	7	AL976	Upper Support of Evaporator Cover for 59043	28	AB595	Filter Fixer for 59043	48
AA360	Bottom Left Hinge for 59043	8	AL977	Evaporator Fan Motor Holder for 59043	29	AI968	Filter for 59043	49
AF070	Upper Right Hinge for 59043	9	AL932	Condenser Fan Motor for 59043	30	AA874	Outer Drain Pan for 59043	50
AL992	Left Door for 59043	10	AA962	Blade of Evaporator Fan Motor for 59043	31	AL987	Air Shield Board for 59043	51
61468	Left Bottom Hinge for 59043	12	AA971	Evaporator Fan Motor Cover for 59043	32	AI372	Compressor for 59043	52
AB200	Upper Left Hinge for 59043	13	AL978	Evaporator Cover for 59043	33	AI373	Compressor Starting Components for 59043	53 - 56
AL966	Stand Off Bracket for 59043	14	AL979	Air Guide Sheet for 59043	34	26246	Caster with Brake for 59043	57
AL967	Fixer for Cutting Board for 59043	15	AL980	Pan Bracket-25 for 59043	35	26247	Caster without Brake for 59043	58
AL993	Cutting Board for 59043	16	AF090	K Strip-3 Holes for 59043	36	AL988	Back Grill for 59043	59
AL969	Inner Drain Pan for 59043	17	AL981	K Strip-4 Holes for 59043	37	AB169	Foaming Hole Cover for 59043	60
AA124	Power Switch for 59043	18	26884	K Clip for 59043	38	AA133	Drain Hose for 59043	61
AL929	Thermostat for 59043	19	AL982	Shelf for 59043	39	AA135	Power Cord for 59043	62
AL970	Left Lid Hinge for 59043	20	AL983	Castor Support for 59043	40	AA379	Temperature Probe for 59043	63
AL971	Right Lid Hinge for 59043	21	AL984	Left Compressor Unit Track for 59043	41			

Electrical Schematics

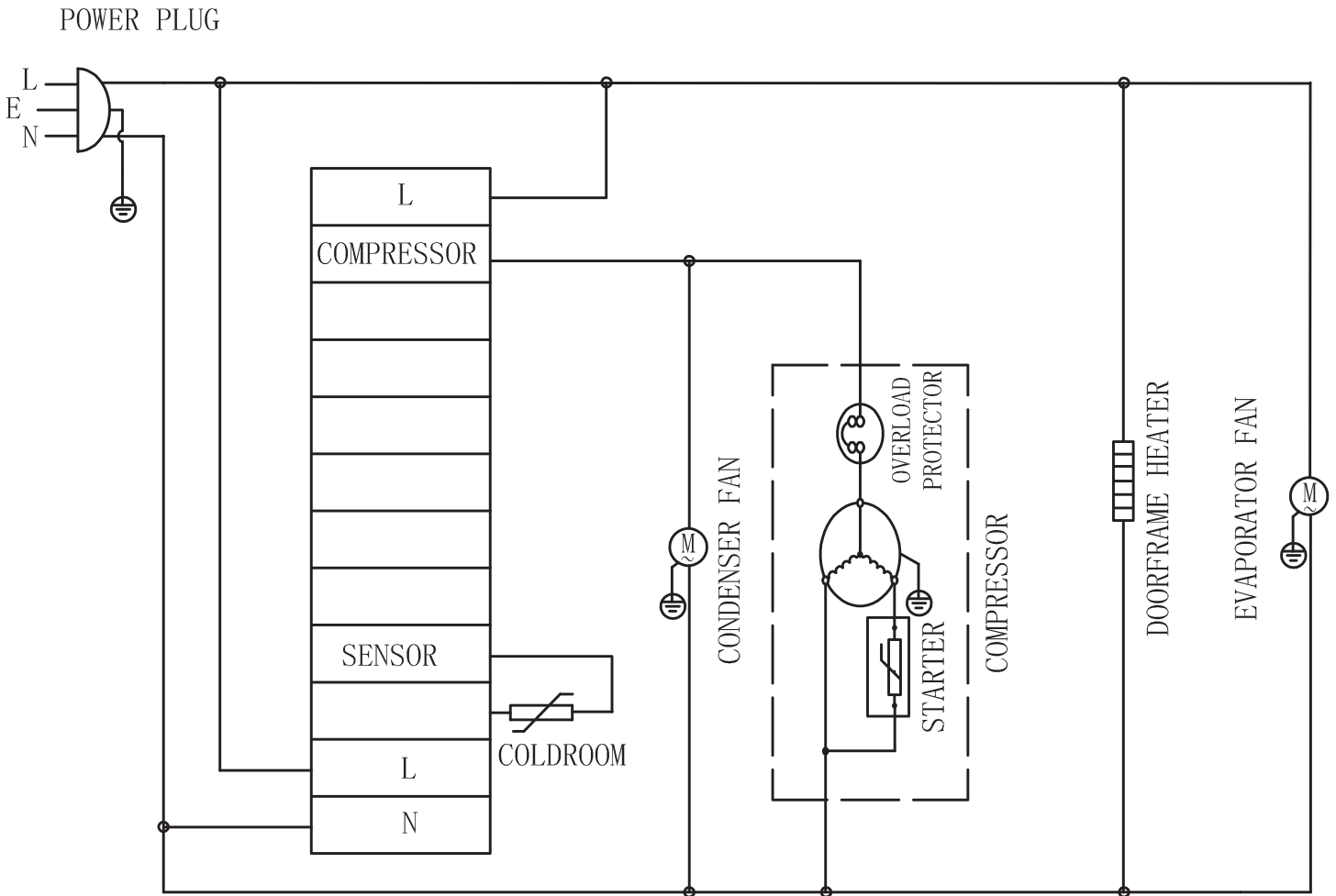
Model PT-CN-0686E-HC 59045



NEMA
5 - 15P
125VAC / 15 AMP

Electrical Schematics

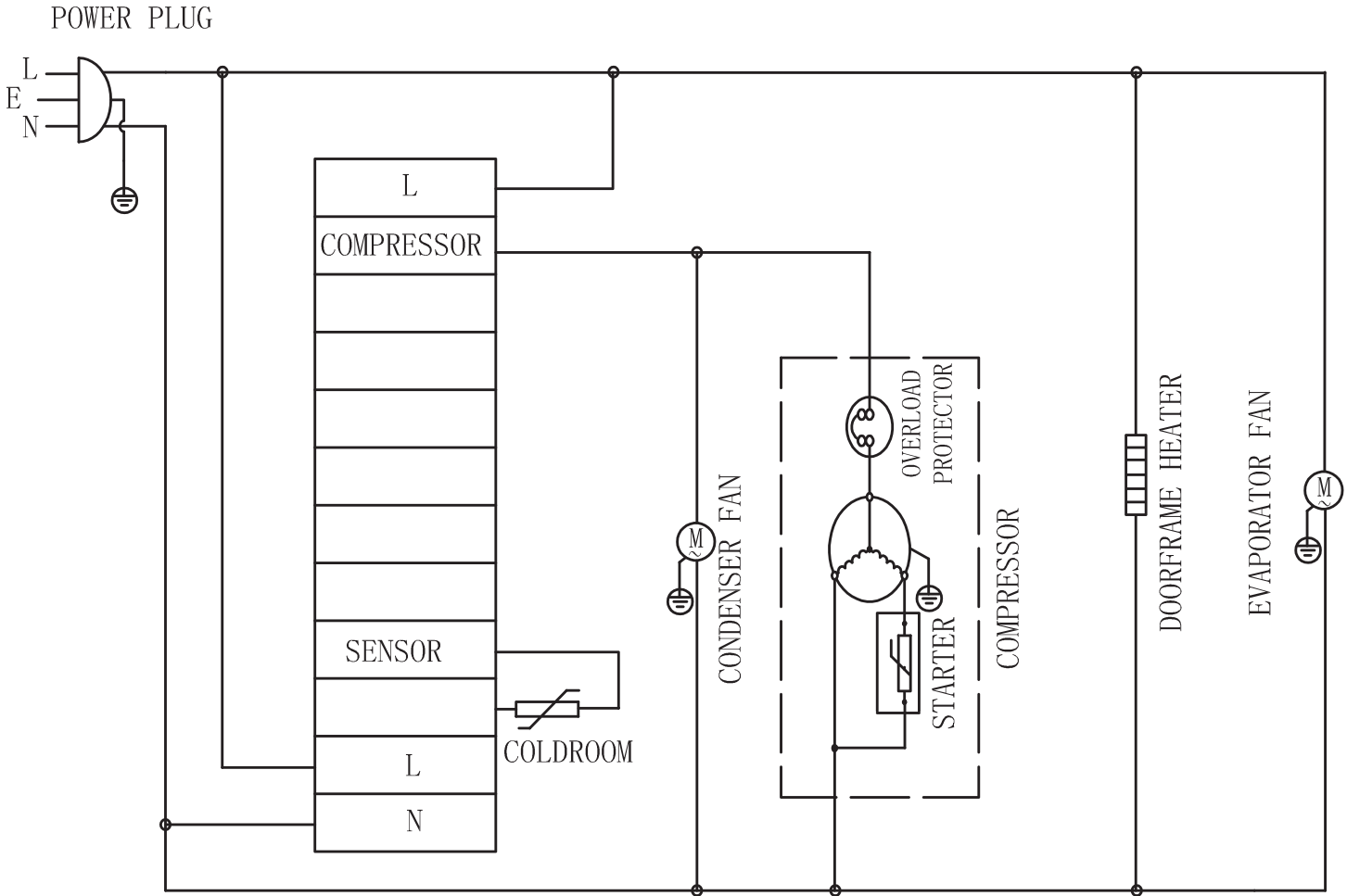
Model PT-CN-1194E-HC 59046



NEMA
5 - 15P
125VAC / 15 AMP

Electrical Schematics

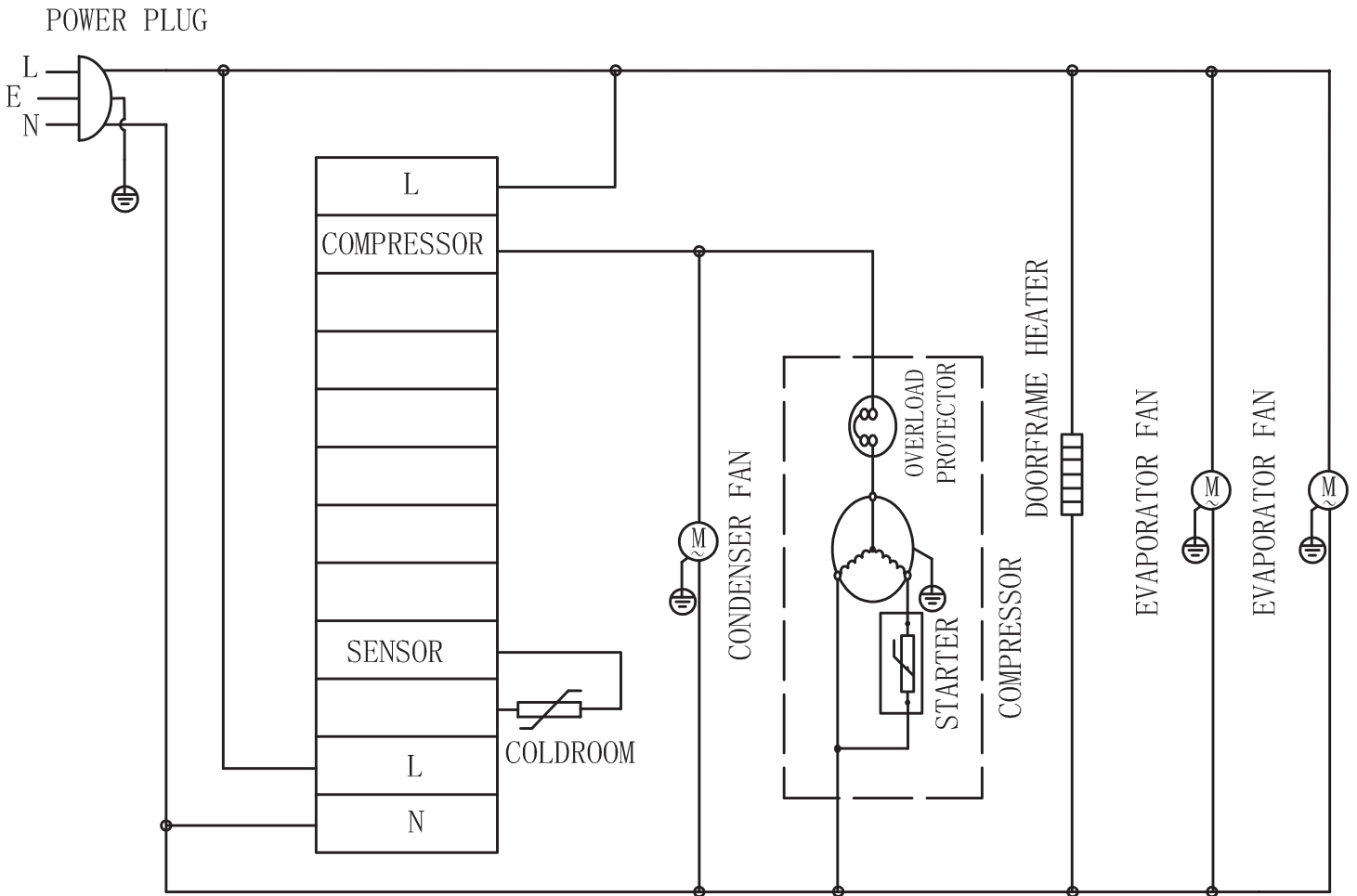
Model PT-CN-0711E-HC 59049



NEMA
5 - 15P
125VAC / 15 AMP

Electrical Schematics

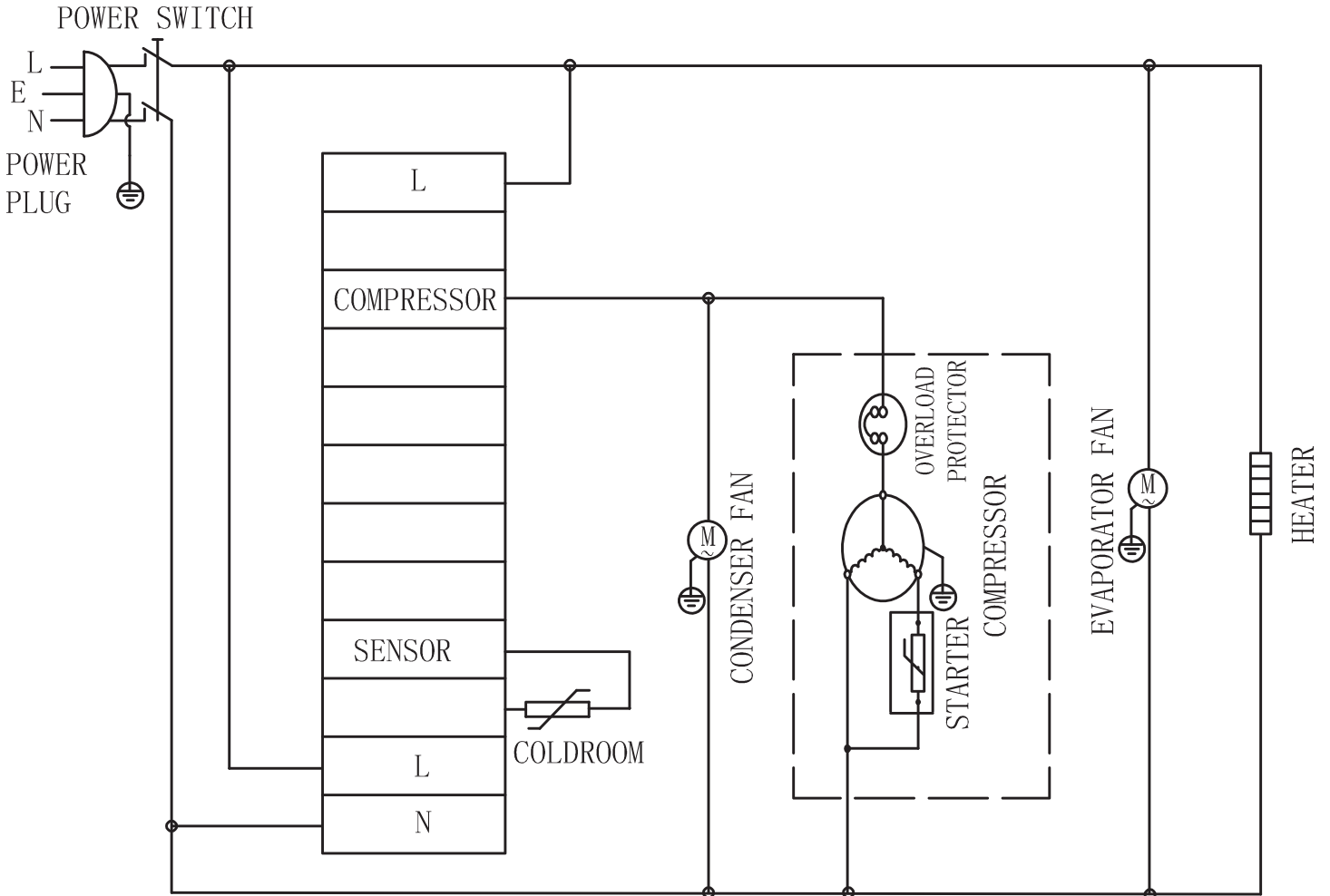
Model PT-CN-1537E-HC 59051



NEMA
5 - 15P
125VAC / 15 AMP

Electrical Schematics

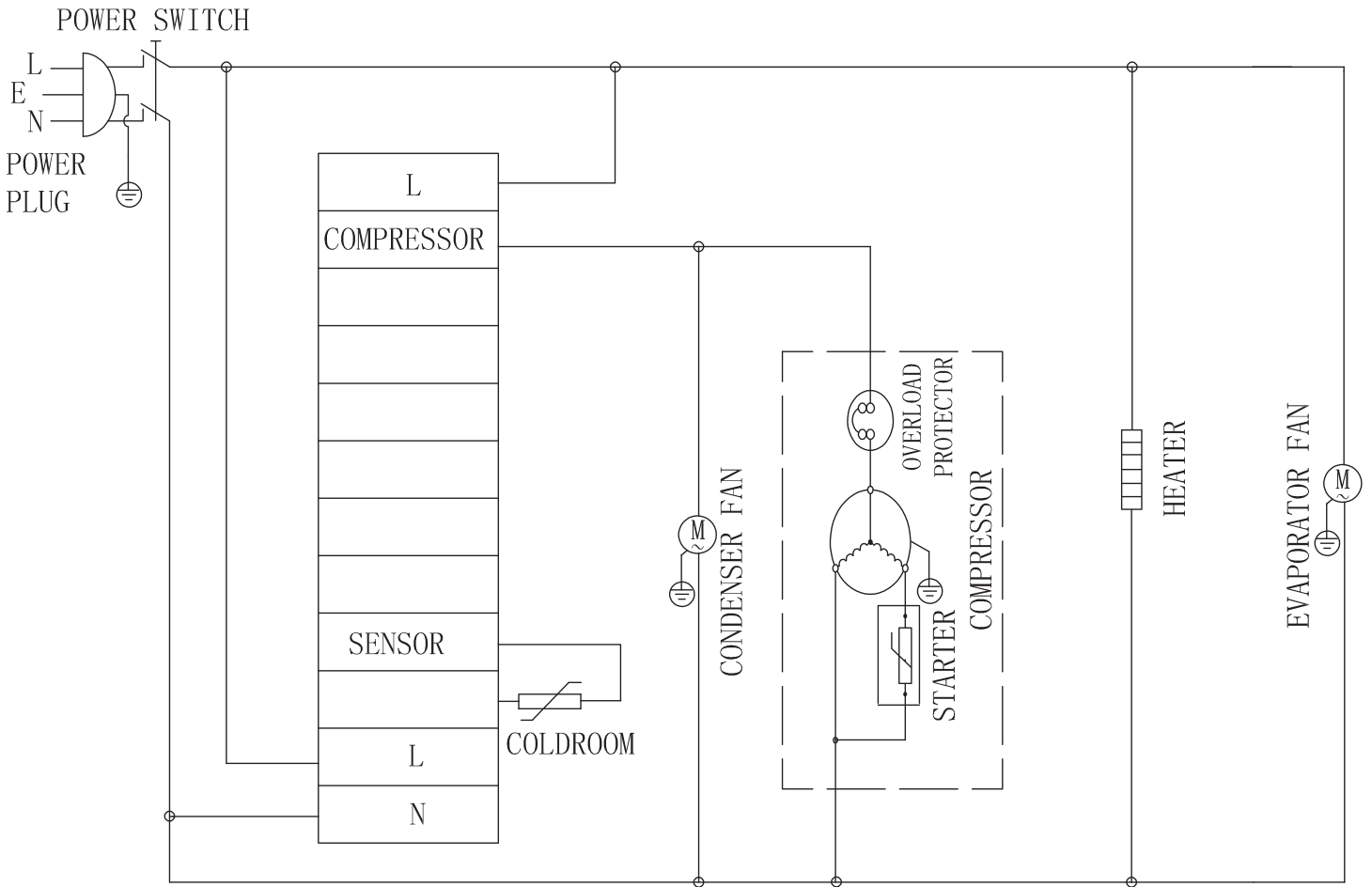
Model PT-CN-1270E-HC 59042



NEMA
5 - 15P
125VAC / 15 AMP

Electrical Schematics

Model PT-CN-1829E-HC 59043



NEMA
5 - 15P
125VAC / 15 AMP



Warranty Registration

Thank you for purchasing an Omcan product. To register your warranty for this product, complete the information below, tear off the card at the perforation and then send to the address specified below. You can also register online by visiting:

Merci d'avoir acheté un produit Omcan. Pour enregistrer votre garantie pour ce produit, complétez les informations ci-dessous, détachez la carte au niveau de la perforation, puis l'envoyer à l'adresse spécifiée ci-dessous. Vous pouvez également vous inscrire en ligne en visitant:

Gracias por comprar un producto Omcan usted. Para registrar su garantía para este producto, complete la información a continuación, cortar la tarjeta en la perforación y luego enviarlo a la dirección indicada a continuación. También puede registrarse en línea en:

<https://omcan.com/warranty-registration/>

For mailing in Canada

Pour postale au Canada

Por correo en Canadá

OMCAN

PRODUCT WARRANTY REGISTRATION

3115 Pepper Mill Court,

Mississauga, Ontario

Canada, L5L 4X5

For mailing in the US

Pour diffusion aux États-Unis

Por correo en los EE.UU.

OMCAN

PRODUCT WARRANTY REGISTRATION

4450 Witmer Industrial Estates, Unit 4,

Niagara Falls, New York

USA, 14305

or email to: service@omcan.com



Purchaser's Information

Name: _____

Address: _____

City: _____ Province or State: _____ Postal or Zip: _____

Country: _____

Dealer from which Purchased: _____

Dealer City: _____ Dealer Province or State: _____

Invoice: _____

Model Name: _____ Model Number: _____

Machine Description: _____

Date of Purchase (MM/DD/YYYY): _____

Would you like to extend the warranty? Yes No

Company Name: _____

Telephone: _____

Email Address: _____

Type of Company:

Restaurant Bakery Deli

Butcher Supermarket Caterer

Institution (specify): _____

Other (specify): _____

Serial Number: _____

Date of Installation (MM/DD/YYYY): _____

Thank you for choosing Omcan | Merci d'avoir choisi Omcan | Gracias por elegir Omcan



Since 1951 Omcan has grown to become a leading distributor of equipment and supplies to the North American food service industry. Our success over these many years can be attributed to our commitment to strengthen and develop new and existing relationships with our valued customers and manufacturers. Today with partners in North America, Europe, Asia and South America, we continually work to improve and grow the company. We strive to offer customers exceptional value through our qualified local sales and service representatives who provide convenient access to over 6,500 globally sourced products.

Depuis 1951 Omcan a grandi pour devenir un des “leaders” de la distribution des équipements et matériel pour l’industrie des services alimentaires en Amérique du Nord. Notre succès au cours de ces nombreuses années peut être attribué à notre engagement à renforcer et à développer de nouvelles et existantes relations avec nos clients et les fabricants de valeur. Aujourd’hui avec des partenaires en Amérique du Nord, Europe, Asie et Amérique du Sud, nous travaillons continuellement à améliorer et développer l’entreprise. Nous nous efforçons d’offrir à nos clients une valeur exceptionnelle grâce à nos ventes locales qualifiées et des représentants de service qui offrent un accès facile à plus de 6500 produits provenant du monde entier.

Desde 1951 Omcan ha crecido hasta convertirse en un líder en la distribución de equipos y suministros de alimentos en América del Norte industria de servicios. Nuestro éxito en estos años se puede atribuir a nuestro compromiso de fortalecer y desarrollar nuevas relaciones existentes con nuestros valiosos clientes y fabricantes. Hoy con socios de América del Norte, Europa, Asia y América del Sur, que trabajan continuamente para mejorar y crecer la empresa. Nos esforzamos por ofrecer a nuestros clientes valor excepcional a través de nuestro local de ventas y representantes de los servicios que proporcionan un fácil acceso a más de 6,500 productos con origen a nivel mundial.

