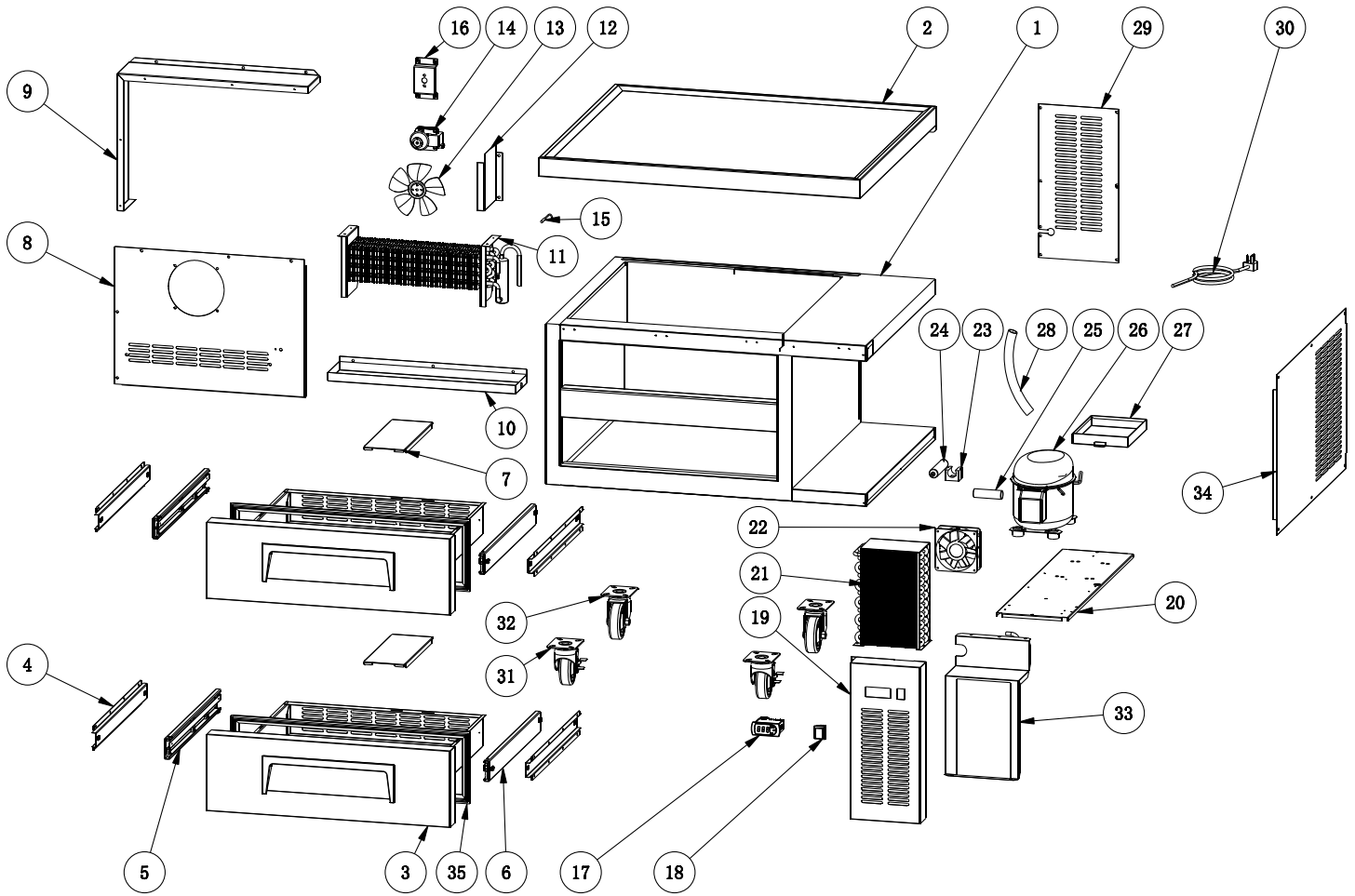


Parts Breakdown

Model RE-CN-0036-C 50070



Parts Breakdown

Model RE-CN-0036-C 50070

Item No.	Description	Position	Item No.	Description	Position	Item No.	Description	Position
AA108	Cabinet for 50070	1	AA120	Blade of Evaporator Fan Motor for 50070	13	AF182	Compressor for 50070	26
AA109	Top Board for 50070	2	68809	Evaporator Fan Motor EM3020-28-C04 / 110V for 50070	14	AF087	Outer Drain Pan for 50070	27
AA110	Drawer for 50070	3	AA121	Temperature Sensor of Cabinet Inside for 50070	15	AA133	Drain Hose for 50070	28
AA111	Hanging Sheet for Drawer for 50070	4	AA122	Evaporator Fan Motor Holder for 50070	16	AA134	Back Grill for 50070	29
AA112	Drawer Left Slide for 50070	5	AA123	Thermostat for 50070	17	AA135	Power Cord for 50070	30
AA113	Drawer Right Slide for 50070	6	AA124	Power Switch for 50070	18	AA136	4" Castor with Brake for 50070	31
AA114	Pan Bracket for 50070	7	AA125	Control Panel for 50070	19	AA137	4" Castor for 50070	32
AA115	Evaporator Cover for 50070	8	AA126	Compressor Unit Installation Board for 50070	20	AA138	Condenser Air Guide Sheet for 50070	33
AA116	Evaporator Cover Plate for 50070	9	AA127	Condenser for 50070	21	AA139	Air Duct for 50070	34
AA117	Inner Drain Pan for 50070	10	AE901	Evaporator Fan Motor for 50070	22	AG823	Gasket for 50070	35
AA118	Evaporator for 50070	11	AB595	Filter Fixer for 50070	23			
AA119	Air Guide Sheet for 50070	12	AA130	Filter for 50070	24			