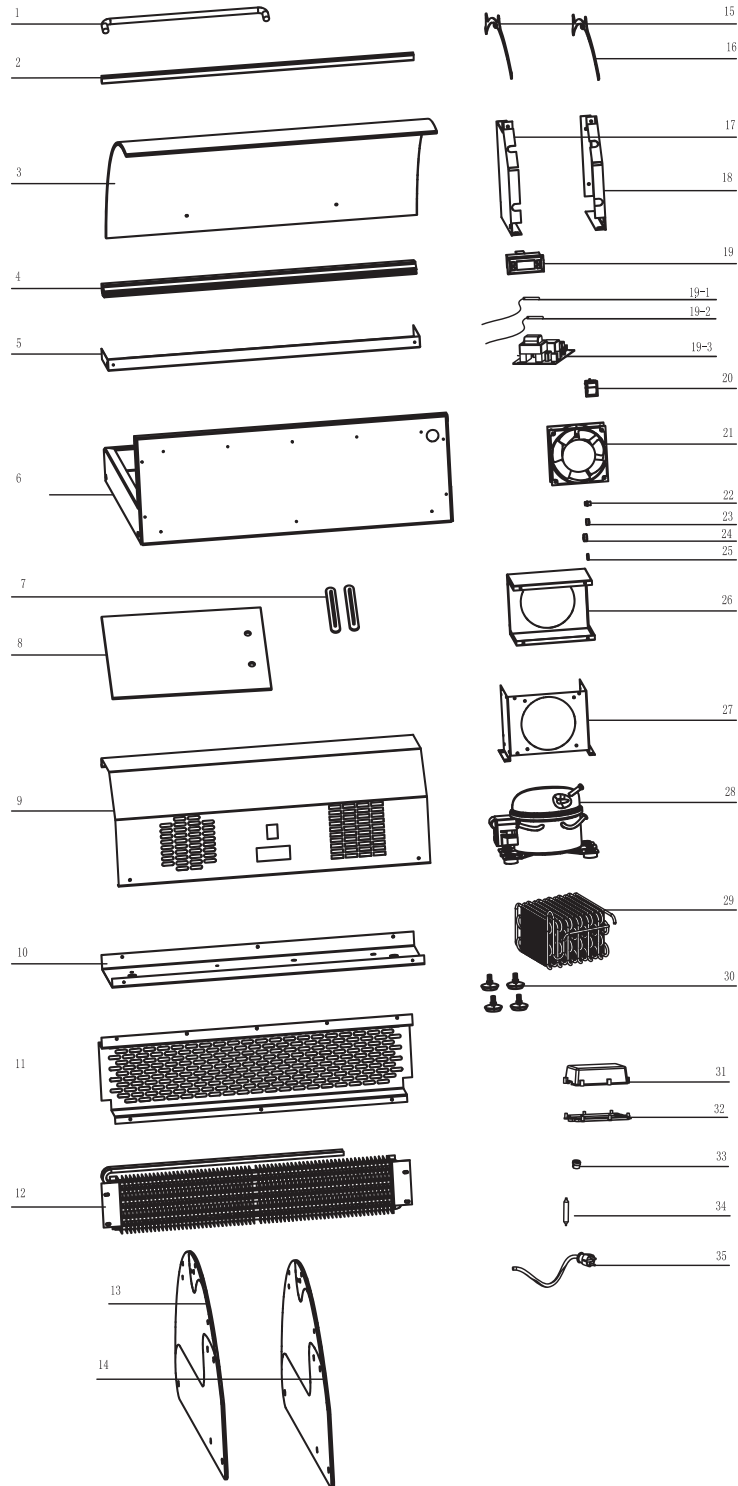


# Parts Breakdown

Model RS-CN-0118-E 43074



# Parts Breakdown

## Model RS-CN-0118-E 43074

Item No.	Description	Position	Item No.	Description	Position	Item No.	Description	Position
77885	Handle for 43074	1	77898	Right Glass for 43074	14	77911	Middle Pulley Pin for 43074	24
77886	A-Pillar for 43074	2	77899	Right Fixer for Glass Cover for 43074	15	77912	Inside Pulley Pin for 43074	25
77887	Glass Cover for 43074	3	77900	Left Fixer for Glass Cover for 43074	16	77913	Upper Cover for Condenser for 43074	26
77888	Pillar for Glass for 43074	4	77901	Left Plate for Glass Cover for 43074	17	77914	Cover for Condenser for 43074	27
77889	Upper Front Panel for 43074	5	77902	Right Plate for Glass Cover for 43074	18	77915	Compressor for 43074	28
77890	Foam Base for 43074	6	77903	Temperature Display for 43074	19	77916	Condensator for 43074	29
77891	Door Handle for 43074	7	77904	Temperature Probe for 43074	19-A	77917	Adjustable Feet for 43074	30
77892	Door Glass for 43074	8	77905	Defrost Probe for 43074	19-B	77918	Control Box for 43074	31
77893	Rear Panel for 43074	9	77906	Main Circuit Board for 43074	19-C	77919	Control Panel for 43074	32
77894	Baseboard for Compressor for 43074	10	77907	Switch for 43074	20	77920	Wire Clip for 43074	33
77895	Cover Board for Compressor for 43074	11	77908	Fan Motor for 43074	21	77921	Accumulator for 43074	34
77896	Evaporator for 43074	12	77909	Pulley Pin for 43074	22	77922	Power Cord for 43074	35
77897	Left Glass for 43074	13	77910	Outside Pulley Pin for 43074	23			