



Refrigerated Showcases

Models RS-CN-0230, 0380
Items 40438, 40004

Instruction Manual



STOP
DO NOT RETURN
THIS PRODUCT TO THE STORE

For questions or assistance with this product call OMCAN Toll Free: 1 800 465 0234
Customer Service
or
visit the Support section of www.omcan.com

Revised - 01/14/2020



Toll Free: 1-800-465-0234
Fax: 905-607-0234
Email: service@omcan.com
www.omcan.com

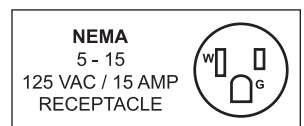


Table of Contents

Model RS-CN-0230 / Model RS-CN-0380

Section	Page
Disclaimer -----	3
General Information -----	4 - 5
Safety and Warranty -----	5 - 6
Technical Specifications -----	7
Installation -----	8
Operation -----	9
Maintenance -----	10
Troubleshooting -----	11 - 12
Parts Breakdown -----	13 - 16
Electrical Schematics -----	17 - 18
Warranty Registration -----	19

Disclaimer

OMCAN IS NOT RESPONSIBLE FOR ANY DAMAGES DUE TO WATER LEAKS. WARRANTY FOR WATER LEAKS IS VOID IF THE AMBIENT ROOM TEMPERATURE EXCEEDS 75°F AND 55% RELATIVE HUMIDITY, AND THE APPLIANCE DRAIN IS NOT CONNECTED DIRECTLY TO A FLOOR DRAIN.

General Information

Omcan Manufacturing and Distributing Company Inc., Food Machinery of America, Inc. dba Omcan and Omcan Inc. are not responsible for any harm or injury caused due to any person's improper or negligent use of this equipment. The product shall only be operated by someone over the age of 18, of sound mind, and not under the influence of any drugs or alcohol, who has been trained in the correct operation of this machine, and is wearing authorized, proper safety clothing. Any modification to the machine voids any warranty, and may cause harm to individuals using the machine or in the vicinity of the machine while in operation.

CHECK PACKAGE UPON ARRIVAL

Upon receipt of an Omcan shipment please inspect for external damage. If no damage is evident on the external packaging, open carton to ensure all ordered items are within the box, and there is no concealed damage to the machine. If the package has suffered rough handling, bumps or damage (visible or concealed), please note it on the bill of lading before accepting the delivery and contact Omcan within 24 hours, so we may initiate a claim with the carrier. A detailed report on the extent of the damage caused to the machine must be filled out within three days, from the delivery date shown in the shipping documents. Omcan has no recourse for damaged products that were shipped collect or third party.

Before operating any equipment, always read and familiarize yourself with all operation and safety instructions.

Omcan would like to thank you for purchasing this machine. It's of the utmost importance to save these instructions for future reference. Also save the original box and packaging for shipping the equipment if servicing or returning of the machine is required.

Omcan Fabrication et distribution Compagnie Limitée et Food Machinery d'Amérique, dba Omcan et Omcan Inc. ne sont pas responsables de tout dommage ou blessure causé du fait que toute personne ait utilisé cet équipement de façon irrégulière. Le produit ne doit être exploité que par quelqu'un de plus de 18 ans, sain d'esprit, et pas sous l'influence d'une drogue ou d'alcool, qui a été formé pour utiliser cette machine correctement, et est vêtu de vêtements de sécurité appropriés. Toute modification de la machine annule toute garantie, et peut causer un préjudice à des personnes utilisant la machine ou des personnes à proximité de la machine pendant son fonctionnement.

VÉRIFIEZ LE COLIS DÈS RÉCEPTION

Dès réception d'une expédition d'Omcan veuillez inspecter pour dommages externes. Si aucun dommage n'est visible sur l'emballage externe, ouvrez le carton afin de s'assurer que tous les éléments commandés sont dans la boîte, et il n'y a aucun dommage dissimulé à la machine. Si le colis n'a subi aucune mauvaises manipulations, de bosses ou de dommages (visible ou cachée), notez-le sur le bond de livraison avant d'accepter la livraison et contactez Omcan dans les 24 heures qui suivent, pour que nous puissions engager une réclamation auprès du transporteur. Un rapport détaillé sur l'étendue des dommages causés à la machine doit être rempli dans un délai de trois jours, à compter de la date de livraison indiquée dans les documents d'expédition. Omcan n'a aucun droit de recours pour les produits endommagés qui ont été expédiés ou cueilli par un tiers transporteur.



General Information

Avant d'utiliser n'importe quel équipement, toujours lire et vous familiariser avec toutes les opérations et les consignes de sécurité.

Omcan voudrais vous remercier d'avoir choisi cette machine. Il est primordial de conserver ces instructions pour une référence ultérieure. Également conservez la boîte originale et l'emballage pour l'expédition de l'équipement si l'entretien ou le retour de la machine est nécessaire.

Omcan Empresa De Fabricacion Y Distribucion Inc. Y Maquinaria De Alimentos De America, Inc. dba Omcan y Omcan Inc. no son responsables de ningun daño o perjuicio causado por cualquier persona inadecuada o el uso descuidado de este equipo. El producto solo podra ser operado por una persona mayor de 18 años, en su sano juicio y no bajo alguna influencia de droga o alcohol, y que este ha sido entrenado en el correcto funcionamiento de esta máquina, y ésta usando ropa apropiada y autorizada. Cualquier modificación a la máquina anula la garantía y puede causar daños a las personas usando la máquina mientras esta en el funcionamiento.

REVISE EL PAQUETE A SU LLEGADA

Tras la recepcion de un envio Omcan favor inspeccionar daños externos. Si no hay daños evidentes en el empaque exterior, Habra el carton para asegurarse que todos los articulos solicitados estén dentro de la caja y no encuentre daños ocultos en la máquina. Si el paquete ha sufrido un manejo de poco cuidado, golpes o daños (visible o oculto) por favor anote en la factura antes de aceptar la entrega y contacte Omcan dentro de las 24 horas, de modo que podamos iniciar una reclamación con la compañía. Un informe detallado sobre los daños causados a la máquina debe ser llenado en el plazo de tres días, desde la fecha de entrega que se muestra en los documentos de envío. Omcan no tiene ningun recurso por productos dañados que se enviaron a recoger por terceros.

Antes de utilizar cualquier equipo, siempre lea y familiarizarse con todas las instrucciones de funcionamiento y seguridad.

Omcan le gustaría darle las gracias por la compra de esta máquina. Es de la mayor importancia para salvar estas instrucciones para futuras consultas. Además, guarda la caja original y el embalaje para el envío del equipo si servicio técnico o devolución de la máquina que se requiere.

Safety and Warranty

Cautions:

- Never block the air suction outlet to keep air circulation and refrigeration capability.
- Do not overfill the unit or it may hinder its operation.
- Adjust the rack height for proper food storage.

Safety and Warranty

Use and Caution:

- Cool hot food before placing it in the refrigerator.
- Only trained technicians should repair damaged power cables with special tools.
- Never touch the compressor to avoid injury.
- This appliance is not intended for use by persons (including children) with reduced physical, sensory or mental capabilities or lack of experience and knowledge, unless they have been given supervision or instruction concerning use of the appliance by a person responsible for their safety.
- Children should be supervised to ensure that they do not play with or around the appliance.
- The operation manual is not suitable for persons (including children) with reduced physical, sensory or mental capabilities, or lack of experience and knowledge.

OMCAN IS NOT RESPONSIBLE FOR ANY DAMAGES DUE TO WATER LEAKS. WARRANTY FOR WATER LEAKS IS VOID IF THE AMBIENT ROOM TEMPERATURE EXCEEDS 75°F AND 55% RELATIVE HUMIDITY, AND THE APPLIANCE DRAIN IS NOT CONNECTED DIRECTLY TO A FLOOR DRAIN.

1 YEAR PARTS AND LABOUR WARRANTY

Within the warranty period, contact Omcan Inc. at 1-800-465-0234 to schedule an Omcan authorized service technician to repair the equipment locally.

Unauthorized maintenance will void the warranty. Warranty covers electrical and part failures, not improper use.

Please see <https://omcan.com/disclaimer> for complete info.

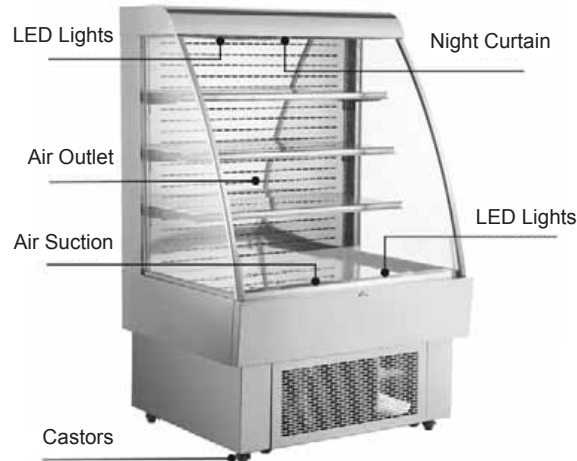
WARNING:

The packaging components are classified as normal solid urban waste and can therefore be disposed of without difficulty.

In any case, for suitable recycling, we suggest disposing of the products separately (differentiated waste) according to the current norms.

DO NOT DISCARD ANY PACKAGING MATERIALS IN THE ENVIRONMENT!

Technical Specifications



Model	RS-CN-0230	RS-CN-0380
Rated Input Power	1230 W	1280 W
Electrical Heating Element	450 W	
Capacity	230 L / 8.12 cu.ft.	380 L / 13.42 cu.ft.
Electrical	110V / 60Hz / 1	
Lamp Power	1.44 W x 2 (LED)	2.8 W x 2 (LED)
Temperature	2 - 10°C / 35.6 - 50°F	
Ambient Temperature / RH	<27°C (80.6°F) / 70%	
Refrigerant and Injection	R290 / 143g	R290 / 148g
Type of Climate	6	
Rated Current	14.5A	
Shelf Size	10" x 19.5" / 254 x 495mm 12" x 19.5" / 305 x 495mm 14" x 19.5" / 356 x 495mm	10" x 35.25" / 254 x 895mm 12" x 35.25" / 305 x 895mm 14" x 35.25" / 356 x 895mm
Inner Dimensions	21.4" x 22.5" x 33" 542 x 572 x 838mm	37" x 22.5" x 33" 940 x 572 x 838mm
Foaming Agent	C5H10	
Weight	180.8 lbs. / 82 kgs.	235.9 lbs. / 107 kgs.
Packaging Weight	224.4 lbs. / 102 kgs.	268.4 lbs. / 122 kgs.
Dimensions	23.6" x 35" x 59.8" 600 x 890 x 1520mm	39.4" x 35" x 59.8" 1000 x 890 x 1520mm
Packaging Dimensions	26" x 37.4" x 62.6" 660 x 950 x 1590mm	42" x 37.4" x 62.6" 1067 x 950 x 1590mm
Item Number	40438	40004

Installation

HANDLING AND INSTALLATION

<p>Handle with Care Unplug from the wall socket first. Never tilt it over 45 degrees during handling.</p>	<p>Dry Location Always place the refrigerator in a dry location. Unit is to be used indoors only.</p>
<p>Sufficient Space The distance from both sides and back of refrigerator to wall or other objects must not be less than 10cm/4". The refrigeration capability might be decreased if the surrounding space is too small to circulate air.</p>	<p>Good Ventilation Always place the refrigerator in a location with good ventilation. For the first time use, wait for 2 hours after handling and then plug it into the wall socket and start it.</p>
<p>Far from Heat Source Never place the refrigerator directly under sunlight. Never locate it near any heat sources or heaters to prevent it from reducing refrigeration capability.</p>	<p>No Heavy Loads Never place any heavy objects on top of the refrigerator.</p>
<p>Do Not Make Holes Never make holes on the refrigerator. Never install other objects on the refrigerator.</p>	<p>Stable Surface Unpack and place the refrigerator on a flat and stable surface.</p>

PREPARATION AND POWER SUPPLY

<p>Exclusive Power Socket The power supply should be 110V, 60Hz single phase AC with an exclusive single phase three pin receptacle (127V, 10A) and fuse (6A). The power receptacle must have a reliable ground connection.</p>	<p>Do Not Share the Socket Never let the refrigerator share the common socket with other appliances, otherwise the cable becomes hot and fire might be resulted.</p>
<p>Protect Cables Never break or damage the cables otherwise electrocution and fire might be resulted.</p>	<p>Do Not Flush with Water Never flush the refrigerator surface with water otherwise electrocution might be resulted.</p>
<p>Keep Away from Flammables and Explosives Never put any flammable or explosive substances inside the refrigerator such as ether, gasoline, alcohol, adhesive and explosives. Never place dangerous substances near the refrigerator.</p>	<p>Do Not Spray with Flammables To spray flammables such as paint or coating nearby the refrigerator is not advised, fire might be resulted.</p>
<p>After Power Break After power break or unplugging the refrigerator, always wait at least 5 minutes and then you may plug in the refrigerator and start it again.</p>	<p>Do Not Store Medicine No medicine can be kept inside the refrigerator.</p>

USE AND CAUTION

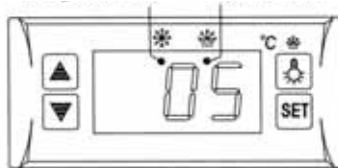
Before Use

Plug the refrigerator in a 110V exclusive socket. Once the refrigerator is running, put a hand on the air suction to confirm it is sufficiently cold. Then you may put food inside the cold box.

This appliance is not intended for use by persons (including children) with reduced physical, sensory or mental capabilities, or lack of experience and knowledge, unless they have been given supervision or instruction concerning use of the appliance by a person responsible for their safety. Children should be supervised to ensure that they do not play with the appliance.

DIGITAL TEMPERATURE CONTROLLER

Refrigerant LED Defrost LED



Features of Function

- It is a mini-sized and integrated intelligent controller and applicable to the compressor of one HP.
- The main functions are: Temperature Display, Temperature Control, Manual/Automatic defrost by Burning Off, Light Control, Value Storing, Self Testing, Parameter Locking.

Front Panel Operation

1. Set Temperature:
Press the Set button, the set temperature is displayed.
Press the Up or Down buttons to modify and store the displayed value.
Press the Set button to exit the adjustment and display the cold-room temperature.
2. If no more buttons are pressed within 10 seconds, the cold-room temperature will be displayed.
3. Light:
Press the Light button, the light turns on. Press it again, the light turns off.
Manual Start/Stop Defrost: Press the Light button and hold for 6 seconds to defrost or stop defrost.
4. Refrigerant LED:
During refrigeration, the LED is on. When the cold-room temperature is constant, the LED is off. During the delay start, the LED flashes.
5. Defrost LED:
During defrosting, the LED is on. When it stops defrosting, the LED is off. During the delay display of defrost, the LED flashes.

Maintenance

1. Cabinet Cleaning:

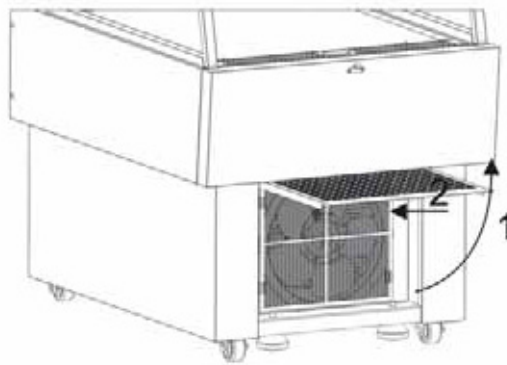
The product should be cleaned once a week with the power supply disconnected. In cleaning please use water or non-corrosive cleansers. Do not wash it directly with a water faucet.

2. Cleaning for Filter:

- If the error message “EE4” appears on the display, please clean the filter immediately. After cleaning, if the error message “EE4” appears again, please contact Omcan.

Instructions for Cleaning:

- Before cleaning, please make sure the device has been disconnected from the power socket. Pull out the handle of the front bottom base panel.
- Open the front bottom base panel, take out the filter and clean it.



- 3. Leaking Check. Observe all connectors and welding joints for oil stain, which indicates a must for patching measures or call Omcan.
- 4. Frequently observe the operation of the product. In case of any abnormal noise, smell or smog, cut the power supply immediately and call Omcan for help. Do not restart the product before the problem is fixed.
- 5. Omcan will not be responsible for any accident or damage incurred by failure to follow these instructions.

SERVICE

- To maintain good refrigeration performance, a refrigeration service person should be called periodically (at least twice a year) to clean the discharge honeycomb and remove any accumulated dirt from the condenser coil and condensate evaporator pan on self-contained models. POOR CIRCULATION OF AIR THROUGH THE CONDENSER COIL WILL RESULT IN POOR REFRIGERATION PERFORMANCE.
- Dirt accumulation inside the condensate evaporator pan will reduce the pan's capacity and affect the efficiency of the heater causing a burned out heater and an overflow of defrost water onto the store floor.

Troubleshooting

TROUBLES	CAUSES	SOLUTIONS
Strange noise under the bottom shelf.	Fan blade broken.	Power off and fix the blade.
Not cooling in spite of normal operation.	The unit is off.	Turn the unit on.
	Defrost is on.	Stop defrosting.
	The refrigerant is leaking.	Patch the leak and refill refrigerant.
	Unit failure.	Call Omcan.
Weak air from air curtain, and higher cabinet temperature.	Evaporator blocked by frost.	Increase melting frequency.
	Inside fan damaged.	Replace the fan.
	Temperature controller set too low.	Adjust the set point for the temperature controller.
	Vent blocked by product.	Remove the product.
Normal air curtain, but higher cabinet temperature.	Insufficient refrigerant.	Refill the refrigerant.
	Temperature Controller is set too high.	Adjust the set point for the temperature controller.
	The wind curtain disturbed by strong air flow.	Removing the disturbing factors.
	Ambient temperature or humidity beyond standards.	Improve the conditions.
Melting water overflown.	Heating pipe for melting water damaged.	Replace the heating pipe.
	Water-level controller failure.	Replace the water-level controller.
	Ambient temperature or humidity beyond standards.	Improve the conditions.
Normal air curtain, but periodical fluctuation of cabinet temperature.	Condenser contaminated.	Clean the condenser.
	Poor venting of the unit.	Improve the venting conditions.
	Heat protection of compressor failure.	Replace the heat protection.
	Capillary is blocked by ice.	Replace the drying filter.
	Temperature controller failure.	Replace the temperature controller.
Water leaks on floor.	Ambient room temperature exceeds 75°F and 55% relative humidity.	Connect appliance drain to floor drain.

NOTE

The following situation is normal:

The murmur of water is heard when the refrigerator is working. It is a normal phenomenon as the coolant is circulating in the system. In wet season, condensation might be found on the outside of the refrigerator. It is not a trouble, which is caused by high humidity. Simply use cloth to wipe it.

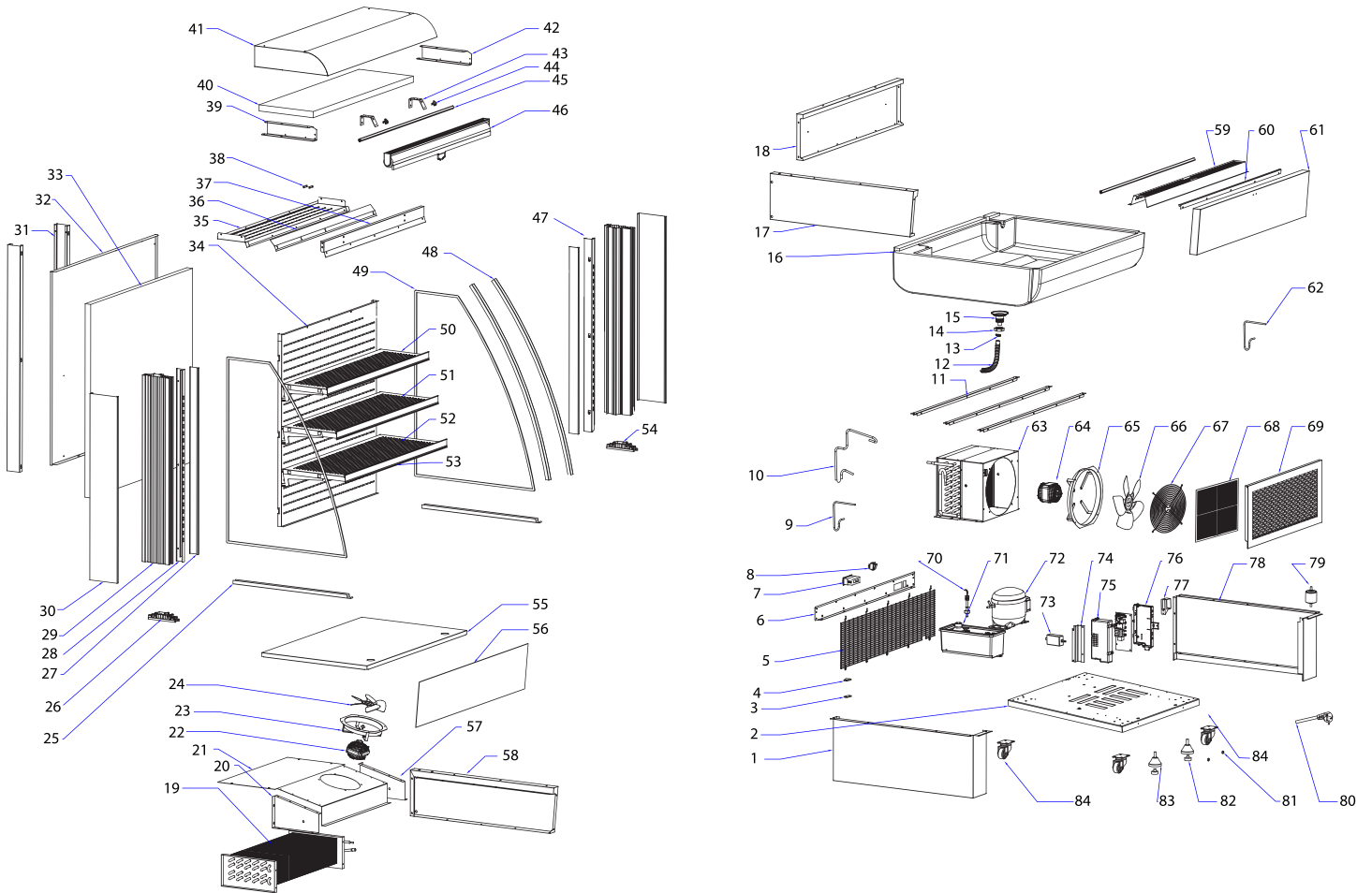
Troubleshooting

REFERENCE

Item Number	Model Number	Description	Manufacturer Model Number
40438	RS-CN-0230	Refrigerated Showcase 230 L / 8.1 cu ft 110V/60/1 cETLus	RTS-230L
40004	RS-CN-0380	Refrigerated Showcase 380 L / 13.4 cu ft 110V/60/1 cETLus	RTS-380L

Parts Breakdown

Model RS-CN-0230 40438



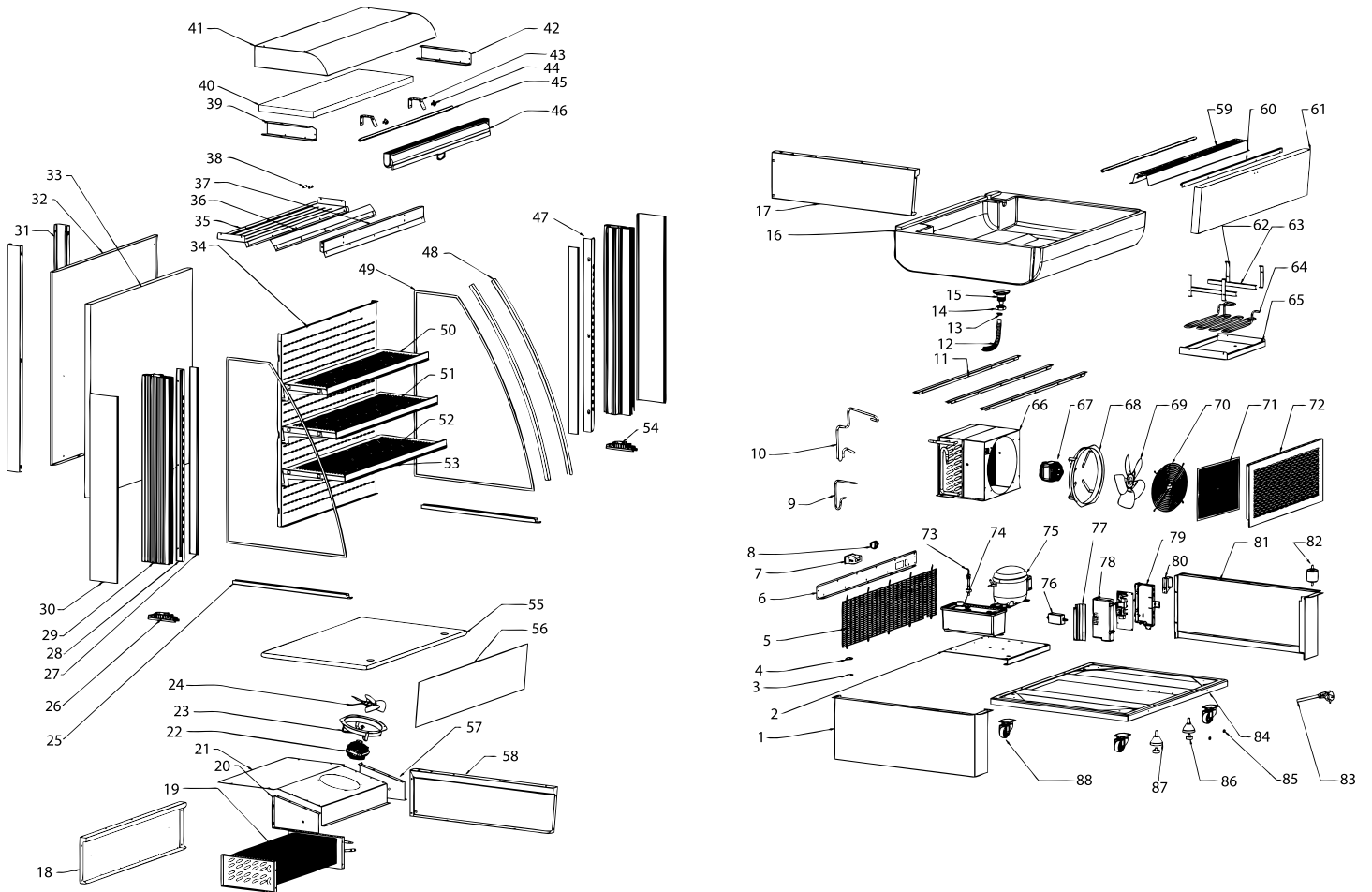
Parts Breakdown

Model RS-CN-0230 40438

Item No.	Description	Position	Item No.	Description	Position	Item No.	Description	Position
72324	Left Panel of Base for RTS-230L	1	71527	Side Pillar of Cabinet for RTS-230L	29	71539	Right Board of Evaporator Cover for RTS-230L	57
71555	Fixed Plate for RTS-230L	2	71528	Outer Decorated Strip for RTS-230L	30	71540	Right Board of Cabinet for RTS-230L	58
72325	Wire Clip Holder for RTS-230L	3	71529	Back Barrier Strip for RTS-230L	31	71582	Air Inlet Cover for RTS-230L	59
61245	Wire Clip Cover for RTS-230L	4	71566	Back Cover of Cabinet for RTS-230L	32	71583	Barrier Strip of Glass for RTS-230L	60
71556	Back Cover of Base for RTS-230L	5	71567	Back Foam of Cabinet for RTS-230L	33	71584	Front Board of Cabinet for RTS-230L	61
71557	Crossbar of Base for RTS-230L	6	71568	Ventilated Board for RTS-230L	34	71585	Connection Pipe 3 for RTS-230L	62
71513	Digital Controller for RTS-230L	7	71569	Ceiling Board of Cabinet for RTS-230L	35	71586	Condenser for RTS-230L	63
71514	Switch for RTS-230L	8	71570	Air Deflector for RTS-230L	36	71587	Condenser Fan Motor for RTS-230L	64
71515	Connection Pipe 1 for RTS-230L	9	71571	Board Ahead Curtain for RTS-230L	37	71588	Fan Guard for RTS-230L	65
71558	Connection Pipe 2 for RTS-230L	10	71530	Air Deflector Joint for RTS-230L	38	71589	Fan Blade for RTS-230L	66
71559	Barrier Strip for RTS-230L	11	71531	Upper Left Rail for RTS-230L	39	71590	Flat Net Cover for RTS-230L	67
71516	Drain Pipe for RTS-230L	12	71572	Top Foam for RTS-230L	40	71591	Air Filter for RTS-230L	68
71517	Pipe Clip for RTS-230L	13	71573	Top Cover for RTS-230L	41	71592	Ventilated Board of Base for RTS-230L	69
71518	Nut for RTS-230L	14	71532	Upper Right Rail for RTS-230L	42	71541	Water Level Detector for RTS-230L	70
71519	Pipe Joint for RTS-230L	15	71533	Night Curtain Bracket for RTS-230L	43	71542	Water Receiver for RTS-230L	71
71560	Evaporator Holder for RTS-230L	16	71534	LED Strip Clip for RTS-230L	44	71543	Compressor for RTS-230L	72
71520	Left Board of Cabinet for RTS-230L	17	71574	LED Strip for RTS-230L	45	71544	LED Transformer for RTS-230L	73
71561	Back Board of Cabinet for RTS-230L	18	71575	Night Curtain for RTS-230L	46	71545	Bracket of Circuit Board Box for RTS-230L	74
71562	Evaporator for RTS-230L	19	71535	Right Support Pillar of Shelf for RTS-230L	47	71546	Circuit Board Box for RTS-230L	75
71521	Left Board of Evaporator Cover for RTS-230L	20	71536	Decorated Strip for RTS-230L	48	71547	Cover of Circuit Board Box for RTS-230L	76
71563	Evaporator Cover for RTS-230L	21	71537	Side Glass for RTS-230L	49	71548	LED Transformer Holder for RTS-230L	77
71522	Evaporator Fan Motor for RTS-230L	22	71576	Upper Shelf for RTS-230L	50	71549	Right Panel of Base for RTS-230L	78
71564	Fan Guard for RTS-230L	23	71577	Middle Shelf for RTS-230L	51	71593	Dry Filter for RTS-230L	79
71565	Fan Blade for RTS-230L	24	71578	Bottom Shelf for RTS-230L	52	30621	Power Cord for RTS-230L	80
71523	Bottom Strip of Side Glass for RTS-230L	25	71579	Price Tag Holder for RTS-230L	53	71551	Magnet for RTS-230L	81
71524	Cover of Left Pillar for RTS-230L	26	71538	Cover of Right Pillar for RTS-230L	54	71552	Feet Pad for RTS-230L	82
71525	Inner Decorated Strip for RTS-230L	27	71580	Bottom Board of Cabinet for RTS-230L	55	71553	Feet for RTS-230L	83
71526	Left Support Pillar of Shelf for RTS-230L	28	71581	Glass Deflector for RTS-230L	56	71554	Castor for RTS-230L	84

Parts Breakdown

Model RS-CN-0380 40004



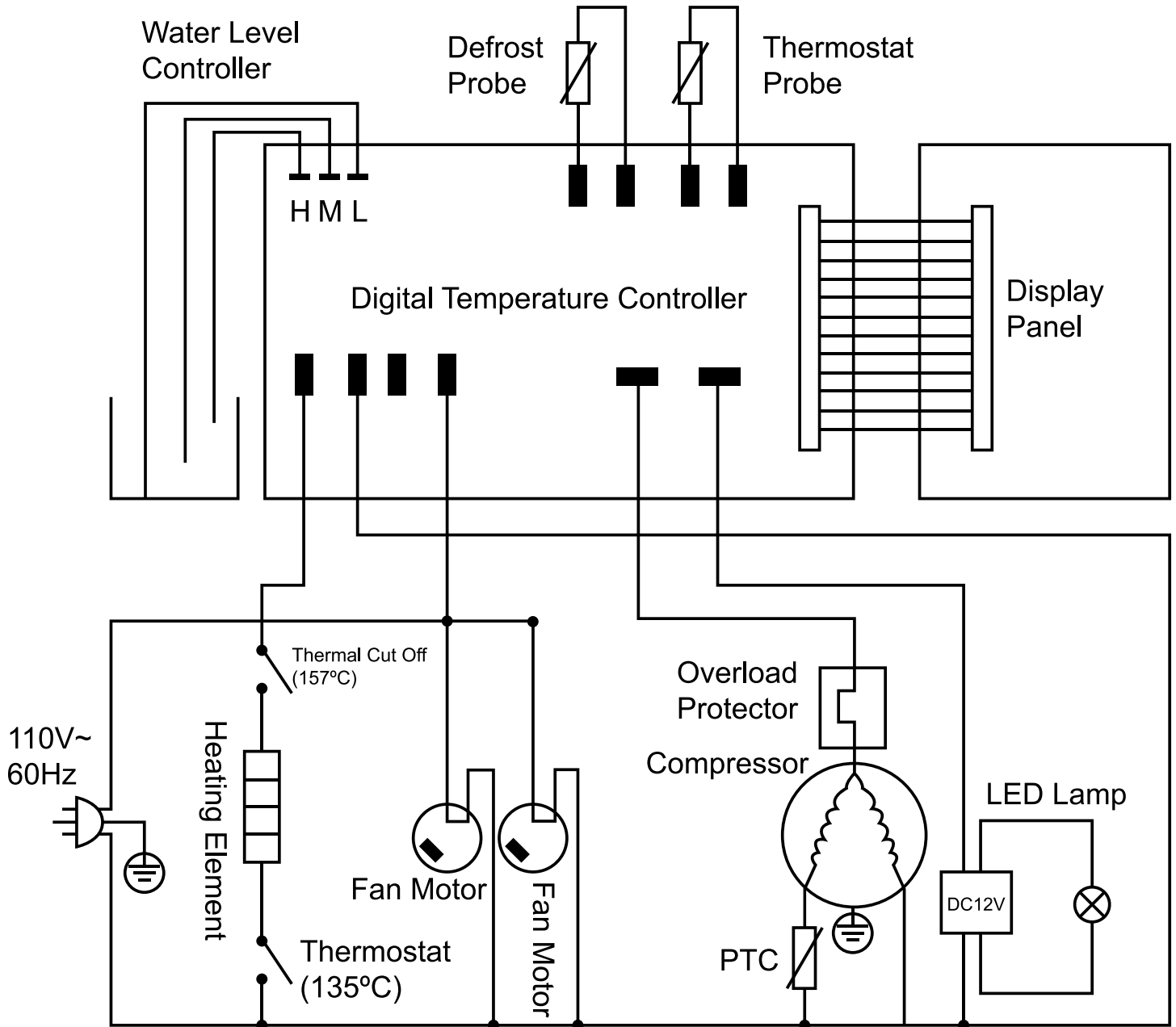
Parts Breakdown

Model RS-CN-0380 40004

Item No.	Description	Position	Item No.	Description	Position	Item No.	Description	Position
72324	Left Panel of Base for RTS-380L	1	71529	Back Barrier Strip for RTS-380L	31	71623	Front Board of Cabinet for RTS-380L	61
71594	Fixed Plate for RTS-380L	2	71605	Back Cover of Cabinet for RTS-380L	32	71624	Water Tray Bracket for RTS-380L	62
72325	Wire Clip Holder for RTS-380L	3	71606	Back Foam of Cabinet for RTS-380L	33	71625	High Temp Pipe Fix Bar for RTS-380L	63
61245	Wire Clip Cover for RTS-380L	4	71607	Ventilated Board for RTS-380L	34	71626	High Temp Pipe for RTS-380L	64
71595	Back Cover of Base for RTS-380L	5	71608	Ceiling Board of Cabinet for RTS-380L	35	71627	High Temp Pipe Tray for RTS-380L	65
71596	Crossbar of Base for RTS-380L	6	71609	Air Deflector for RTS-380L	36	71628	Condenser for RTS-380L	66
71513	Digital Controller for RTS-380L	7	71610	Board Ahead Curtain for RTS-380L	37	71629	Condenser Fan Motor for RTS-380L	67
71514	Switch for RTS-380L	8	71530	Air Deflector Joint for RTS-380L	38	71630	Fan Guard for RTS-380L	68
71515	Connection Pipe 1 for RTS-380L	9	71531	Upper Left Rail for RTS-380L	39	71631	Fan Blade for RTS-380L	69
71597	Connection Pipe 2 for RTS-380L	10	71611	Top Foam for RTS-380L	40	71632	Flat Net Cover for RTS-380L	70
71598	Barrier Strip for RTS-380L	11	71612	Top Cover for RTS-380L	41	71633	Air Filter for RTS-380L	71
71516	Drain Pipe for RTS-380L	12	71532	Upper Right Rail for RTS-380L	42	71634	Ventilated Board of Base for RTS-380L	72
71517	Pipe Clip for RTS-380L	13	71533	Night Curtain Bracket for RTS-380L	43	71541	Water Level Detector for RTS-380L	73
71518	Nut for RTS-380L	14	71534	LED Strip Clip for RTS-380L	44	71542	Water Receiver for RTS-380L	74
71519	Pipe Joint for RTS-380L	15	71613	LED Strip for RTS-380L	45	71543	Compressor for RTS-380L	75
71599	Evaporator Holder for RTS-380L	16	71614	Night Curtain for RTS-380L	46	71544	LED Transformer for RTS-380L	76
71520	Left Board of Cabinet for RTS-380L	17	71535	Right Support Pillar of Shelf for RTS-380L	47	71545	Bracket of Circuit Board Box for RTS-380L	77
71600	Back Board of Cabinet for RTS-380L	18	71536	Decorated Strip for RTS-380L	48	71546	Circuit Board Box for RTS-380L	78
71601	Evaporator for RTS-380L	19	71537	Side Glass for RTS-380L	49	71547	Cover of Circuit Board Box for RTS-380L	79
71521	Left Board of Evaporator Cover for RTS-380L	20	71615	Upper Shelf for RTS-380L	50	71548	LED Transformer Holder for RTS-380L	80
71602	Evaporator Cover for RTS-380L	21	71616	Middle Shelf for RTS-380L	51	71549	Right Panel of Base for RTS-380L	81
71522	Evaporator Fan Motor for RTS-380L	22	71617	Bottom Shelf for RTS-380L	52	71635	Dry Filter for RTS-380L	82
71603	Fan Guard for RTS-380L	23	71618	Price Tag Holder for RTS-380L	53	30621	Power Cord for RTS-380L	83
71604	Fan Blade for RTS-380L	24	71538	Cover of Right Pillar for RTS-380L	54	71636	Base Board for RTS-380L	84
71523	Bottom Strip of Side Glass for RTS-380L	25	71619	Bottom Board of Cabinet for RTS-380L	55	71551	Magnet for RTS-380L	85
71524	Cover of Left Pillar for RTS-380L	26	71620	Glass Deflector for RTS-380L	56	71552	Feet Pad for RTS-380L	86
71525	Inner Decorated Strip for RTS-380L	27	71539	Right Board of Evaporator Cover for RTS-380L	57	71553	Feet for RTS-380L	87
71526	Left Support Pillar of Shelf for RTS-380L	28	71540	Right Board of Cabinet for RTS-380L	58	71554	Castor for RTS-380L	88
71527	Side Pillar of Cabinet for RTS-380L	29	71621	Air Inlet Cover for RTS-380L	59			
71528	Outer Decorated Strip for RTS-380L	30	71622	Barrier Strip of Glass for RTS-380L	60			

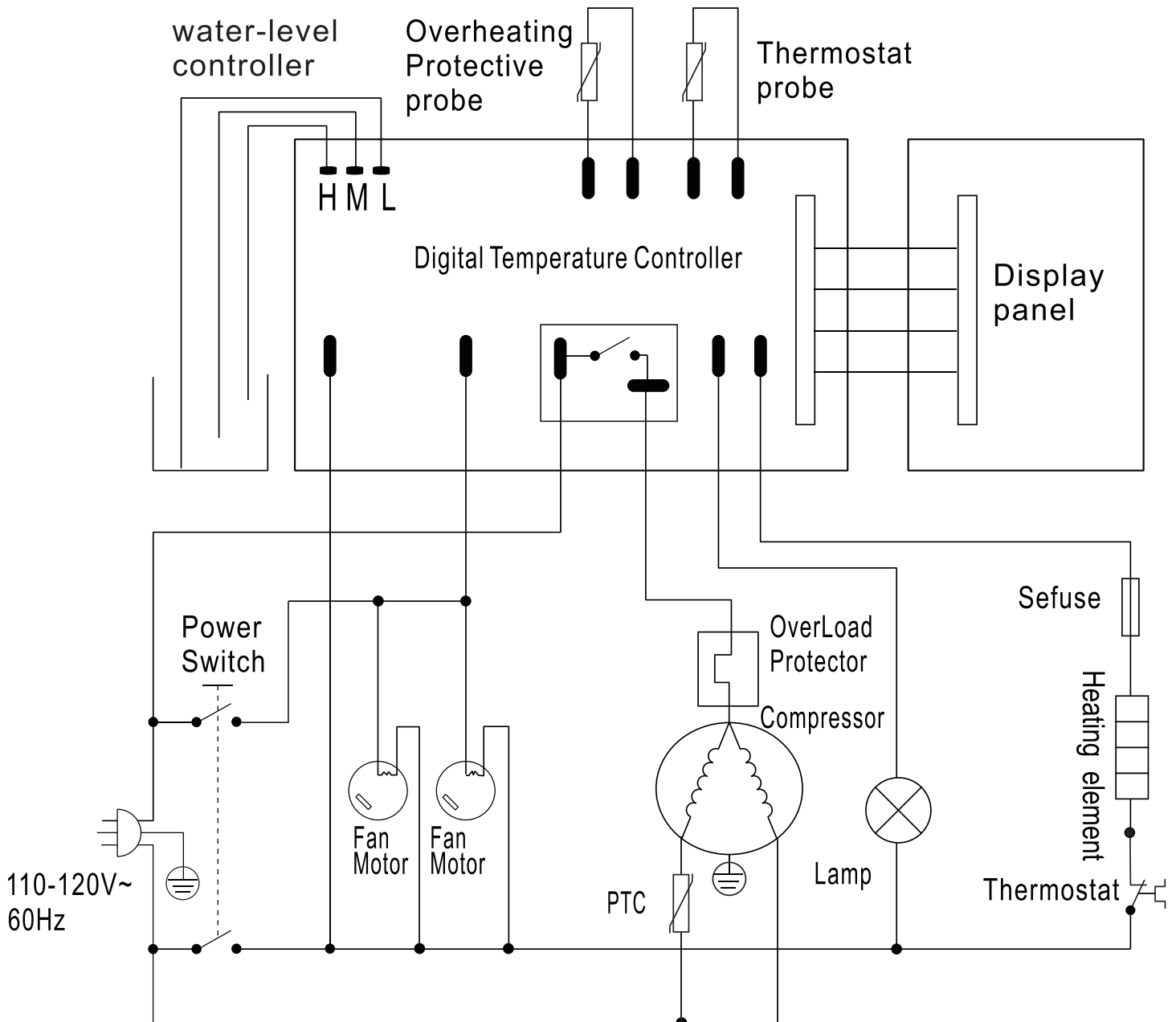
Electrical Schematics

Model RS-CN-0230 40438



Electrical Schematics

Model RS-CN-0380 40004





Warranty Registration

Thank you for purchasing an Omcan product. To register your warranty for this product, complete the information below, tear off the card at the perforation and then send to the address specified below. You can also register online by visiting:

Merci d'avoir acheté un produit Omcan. Pour enregistrer votre garantie pour ce produit, complétez les informations ci-dessous, détachez la carte au niveau de la perforation, puis l'envoyer à l'adresse spécifiée ci-dessous. Vous pouvez également vous inscrire en ligne en visitant:

Gracias por comprar un producto Omcan usted. Para registrar su garantía para este producto, complete la información a continuación, cortar la tarjeta en la perforación y luego enviarlo a la dirección indicada a continuación. También puede registrarse en línea en:

<https://omcan.com/warranty-registration/>

For mailing in Canada

Pour postale au Canada

Por correo en Canadá

OMCAN

PRODUCT WARRANTY REGISTRATION

3115 Pepper Mill Court,

Mississauga, Ontario

Canada, L5L 4X5

For mailing in the US

Pour diffusion aux États-Unis

Por correo en los EE.UU.

OMCAN

PRODUCT WARRANTY REGISTRATION

4450 Witmer Industrial Estates, Unit 4,

Niagara Falls, New York

USA, 14305

or email to: service@omcan.com



Purchaser's Information

Name: _____

Address: _____

City: _____ Province or State: _____ Postal or Zip: _____

Country: _____

Dealer from which Purchased: _____

Dealer City: _____ Dealer Province or State: _____

Invoice: _____

Model Name: _____ Model Number: _____

Machine Description: _____

Date of Purchase (MM/DD/YYYY): _____

Would you like to extend the warranty? Yes No

Company Name: _____

Telephone: _____

Email Address: _____

Type of Company:

Restaurant Bakery Deli

Butcher Supermarket Caterer

Institution (specify): _____

Other (specify): _____

Serial Number: _____

Date of Installation (MM/DD/YYYY): _____

Thank you for choosing Omcan | Merci d'avoir choisi Omcan | Gracias por elegir Omcan



Since 1951 Omcan has grown to become a leading distributor of equipment and supplies to the North American food service industry. Our success over these many years can be attributed to our commitment to strengthen and develop new and existing relationships with our valued customers and manufacturers. Today with partners in North America, Europe, Asia and South America, we continually work to improve and grow the company. We strive to offer customers exceptional value through our qualified local sales and service representatives who provide convenient access to over 5,000 globally sourced products.

Depuis 1951 Omcan a grandi pour devenir un des “leaders” de la distribution des équipements et matériel pour l’industrie des services alimentaires en Amérique du Nord. Notre succès au cours de ces nombreuses années peut être attribué à notre engagement à renforcer et à développer de nouvelles et existantes relations avec nos clients et les fabricants de valeur. Aujourd’hui avec des partenaires en Amérique du Nord, Europe, Asie et Amérique du Sud, nous travaillons continuellement à améliorer et développer l’entreprise. Nous nous efforçons d’offrir à nos clients une valeur exceptionnelle grâce à nos ventes locales qualifiées et des représentants de service qui offrent un accès facile à plus de 5000 produits provenant du monde entier.

Desde 1951 Omcan ha crecido hasta convertirse en un líder en la distribución de equipos y suministros de alimentos en América del Norte industria de servicios. Nuestro éxito en estos años se puede atribuir a nuestro compromiso de fortalecer y desarrollar nuevas relaciones existentes con nuestros valiosos clientes y fabricantes. Hoy con socios de América del Norte, Europa, Asia y América del Sur, que trabajan continuamente para mejorar y crecer la empresa. Nos esforzamos por ofrecer a nuestros clientes valor excepcional a través de nuestro local de ventas y representantes de los servicios que proporcionan un fácil acceso a más de 5,000 productos con origen a nivel mundial.

