



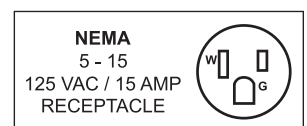
**Santos Coffee Grinder**  
*Model Santos 63*  
*Item 44636*  
**Instruction Manual**



*Revised - 01/21/2020*



Toll Free: 1-800-465-0234  
Fax: 905-607-0234  
Email: [service@omcan.com](mailto:service@omcan.com)  
[www.omcan.com](http://www.omcan.com)



# ***Table of Contents***

Model Santos 63

---

<b>Section</b>	<b>Page</b>
General Information -----	3 - 4
Safety and Warranty -----	4 - 6
Technical Specifications -----	7
Operation -----	7 - 8
Maintenance -----	8 - 10
Troubleshooting -----	10 - 11
Figure Drawings -----	11 - 13
Parts Breakdown -----	14 - 16
Electrical Schematics -----	17
Notes -----	18
Warranty Registration -----	19



# General Information

---

Omcan Manufacturing and Distributing Company Inc., Food Machinery of America, Inc. dba Omcan and Omcan Inc. are not responsible for any harm or injury caused due to any person's improper or negligent use of this equipment. The product shall only be operated by someone over the age of 18, of sound mind, and not under the influence of any drugs or alcohol, who has been trained in the correct operation of this machine, and is wearing authorized, proper safety clothing. Any modification to the machine voids any warranty, and may cause harm to individuals using the machine or in the vicinity of the machine while in operation.

## CHECK PACKAGE UPON ARRIVAL

Upon receipt of an Omcan shipment please inspect for external damage. If no damage is evident on the external packaging, open carton to ensure all ordered items are within the box, and there is no concealed damage to the machine. If the package has suffered rough handling, bumps or damage (visible or concealed), please note it on the bill of lading before accepting the delivery and contact Omcan within 24 hours, so we may initiate a claim with the carrier. A detailed report on the extent of the damage caused to the machine must be filled out within three days, from the delivery date shown in the shipping documents. Omcan has no recourse for damaged products that were shipped collect or third party.

**Before operating any equipment, always read and familiarize yourself with all operation and safety instructions.**

Omcan would like to thank you for purchasing this machine. It's of the utmost importance to save these instructions for future reference. Also save the original box and packaging for shipping the equipment if servicing or returning of the machine is required.

---

Omcan Fabrication et distribution Compañie Limité et Food Machinery d'Amérique, dba Omcan et Omcan Inc. ne sont pas responsables de tout dommage ou blessure causé du fait que toute personne ait utilisé cet équipement de façon irrégulière. Le produit ne doit être exploité que par quelqu'un de plus de 18 ans, saine d'esprit, et pas sous l'influence d'une drogue ou d'alcool, qui a été formé pour utiliser cette machine correctement, et est vêtu de vêtements de sécurité approprié. Toute modification de la machine annule toute garantie, et peut causer un préjudice à des personnes utilisant la machine ou des personnes à proximité de la machine pendant son fonctionnement.

## VÉRIFIEZ LE COLIS DÈS RÉCEPTION

Dès réception d'une expédition d'Omcan veuillez inspecter pour dommages externes. Si aucun dommage n'est visible sur l'emballage externe, ouvrez le carton afin de s'assurer que tous les éléments commandés sont dans la boîte, et il n'y a aucun dommage dissimulé à la machine. Si le colis n'a subi aucune mauvaises manipulations, de bosses ou de dommages (visible ou cachée), notez-le sur le bond de livraison avant d'accepter la livraison et contactez Omcan dans les 24 heures qui suivent, pour que nous puissions engager une réclamation auprès du transporteur. Un rapport détaillé sur l'étendue des dommages causés à la machine doit être rempli dans un délai de trois jours, à compter de la date de livraison indiquée dans les documents d'expédition. Omcan n'a aucun droit de recours pour les produits endommagés qui ont été expédiés ou cueilli par un tiers transporteur.

# General Information

---

Avant d'utiliser n'importe quel équipement, toujours lire et vous familiariser avec toutes les opérations et les consignes de sécurité.

Omcan voudrais vous remercier d'avoir choisi cette machine. Il est primordial de conserver ces instructions pour une référence ultérieure. Également conservez la boîte originale et l'emballage pour l'expédition de l'équipement si l'entretien ou le retour de la machine est nécessaire.

Omcan Empresa De Fabricacion Y Distribucion Inc. Y Maquinaria De Alimentos De America, Inc. dba Omcan y Omcan Inc. no son responsables de ningun daño o perjuicio causado por cualquier persona inadecuada o el uso descuidado de este equipo. El producto solo podra ser operado por una persona mayor de 18 años, en su sano juicio y no bajo alguna influencia de droga o alcohol, y que este ha sido entrenado en el correcto funcionamiento de esta máquina, y ésta usando ropa apropiada y autorizada. Cualquier modificación a la máquina anula la garantía y puede causar daños a las personas usando la máquina mientras esta en el funcionamiento.

## REVISE EL PAQUETE A SU LLEGADA

Tras la recepcion de un envio Omcan favor inspeccionar daños externos. Si no hay daños evidentes en el empaque exterior, Habra el carton para asegurarse que todos los articulos solicitados estén dentro de la caja y no encuentre daños ocultos en la máquina. Si el paquete ha sufrido un manejo de poco cuidado, golpes o daños (visible o oculto) por favor anote en la factura antes de aceptar la entrega y contacte Omcan dentro de las 24 horas, de modo que podamos iniciar una reclamación con la compañía. Un informe detallado sobre los daños causados a la máquina debe ser llenado en el plazo de tres días, desde la fecha de entrega que se muestra en los documentos de envío. Omcan no tiene ningun recurso por productos dañados que se enviaron a recoger por terceros.

Antes de utilizar cualquier equipo, siempre lea y familiarizarse con todas las instrucciones de funcionamiento y seguridad.

Omcan le gustaría darle las gracias por la compra de esta máquina. Es de la mayor importancia para salvar estas instrucciones para futuras consultas. Además, guarda la caja original y el embalaje para el envío del equipo si servicio técnico o devolución de la máquina que se requiere.

# Safety and Warranty

---

- The coffee grinder is particularly suitable for coffee shops, communal kitchens, roasting shops.
- The robust frame of the appliance is made of cast aluminum and painted metal. The transparent plastic coffee bean hopper has a capacity of 1.2 kgs.
- The appliance is fitted with the "bag grip" system (maximum bag height: 400 mm).
- A button for adjusting the size of the grind caters for all types of coffee grind (Turkish, fine, espresso, filter coffee, medium or coarse grind).
- The special hardened steel grinding-discs (Ø 120 mm) guarantee an even and fine grind.

# Safety and Warranty

---

At the time of use, maintenance or scrapping of the appliance, always ensure that the following elementary precautions are adhered to. Read the explanatory instructions in full. Keep this user manual.

**Note: for easier understanding of the sections below, please refer to the diagrams at the end of the manual.**

## INSTALLATION AND HANDLING

**Note: for all handling operations including unpacking the machine, the coffee bean hopper or its cover must not be used to hold or lift the appliance.**

You are advised to have 2 people to handle the machine to avoid any risk of back injury. For ease of use, it is recommended that the machine is placed on a table or work surface so as to have the bag grip (13) in front of you (recommended height: 90 cm, to be adapted as required to the user).

1. Never operate the machine with no coffee beans in the bean hopper.
2. Never use this machine to grind anything other than roasted coffee beans.
3. Remove from the coffee beans any foreign bodies which may damage the grindstones (metal staples, stones, etc.).
4. Turn the On/Off switch (8) to "0" when the appliance is not in operation.
5. Cleaning in a jet of water or a high pressure spray is prohibited.
6. The base must not be immersed in water.
7. Never use the appliance if the power cord is damaged. It must be replaced by a special unit available from an approved Omcan dealer or from Omcan itself.
8. The appliance must be unplugged before any intervention on it: cleaning, general care, maintenance.
9. It is forbidden to operate the appliance on a surface with a slope in excess of 10° with respect to the horizontal plane. The feet of the machine must always be resting on this surface. The machine motor centre line must always be vertical with respect to the surface on which it is placed.
10. The use of spare parts other than certified original Omcan parts is prohibited.
11. Never connect several appliances to the same power socket.
12. Never use the machine outdoors.
13. Never place the appliance close to or on a source of heat.
14. This appliance is a professional machine designed exclusively for professional use. It is not designed for household use.
15. This appliance is not designed for use by people (including children) whose physical, sensorial or mental capacities are impaired or by people with no experience or knowledge, unless they have been supervised or given training in the use of the appliance beforehand by a person responsible for their safety. Supervise children to ensure they do not play with the appliance.

## ELECTRICAL CONNECTION

- The appliance's power supply is 110-120 V 50/60 Hz.
- Line protection: the appliance must be connected to a standard 2 pole + ground socket. The set-up must be fitted with a differential circuit breaker and a 16A fuse. Grounding of the appliance is compulsory.

# ***Safety and Warranty***

---

**Note:**

- Before connecting the appliance, check that the mains electrical voltage is the same as the voltage for your appliance. Its value is shown:
  - Either on the identification plate under the appliance.
  - Or in the technical specifications page of this manual.
- If the power cord is damaged, it should be replaced with a special unit available from Omcan or an Omcan approved dealer.

**Note:** Check that the on / off switch (8) is in position 0 before plugging the power cord in to the mains power socket. (fig. B)

## **1 YEAR PARTS AND LABOUR BENCH WARRANTY**

**Within the warranty period, contact Omcan Inc. at 1-800-465-0234 to schedule a drop off to either an Omcan authorized service depot in the area, or to an Omcan Service warehouse to repair the equipment.**

**Unauthorized maintenance will void the warranty. Warranty covers electrical and part failures, not improper use.**

**Please see <https://omcan.com/disclaimer> for complete info.**

### **WARNING:**

The packaging components are classified as normal solid urban waste and can therefore be disposed of without difficulty.

**In any case, for suitable recycling, we suggest disposing of the products separately (differentiated waste) according to the current norms.**

**DO NOT DISCARD ANY PACKAGING MATERIALS IN THE ENVIRONMENT!**

# Technical Specifications

<b>Model</b>	<b>Santos 63</b>
<b>Power</b>	500 W
<b>Output</b>	Up to 120 kgs. / hour
<b>Electrical</b>	120V / 60Hz / 1Ph
<b>Dimensions</b>	11" x 13" x 27" / 279 x 330 x 686mm
<b>Weight</b>	88 lbs. / 40 kgs.
<b>Packaging Dimensions</b>	20" x 26" x 35" / 508 x 660 x 889mm
<b>Packaging Weight</b>	108 lbs. / 49 kgs.
<b>Item Number</b>	44636

## Operation

This coffee grinder can be used to grind and dispense the pre-dosed coffee into the bag corresponding to the desired quantity (250, 500g and 1kg).

### STARTING UP

1. With the hopper (2) empty and push button (10) not pressed, start up the appliance by putting the main ON/Off switch (8) to position 1. (fig. A) (fig. B)
2. Turn the adjusting button (6) to select the type of grind desired.  
**IMPORTANT:** It is prohibited to select a grind finer than the current setting if the hopper is not fully emptied by running the motor (the grinder body must be empty in order to perform this operation). If not, there is a risk of blocking the motor. The adjusting button must be set to position "9" in order to release the motor.
3. Place the coffee beans in the hopper (2).
4. Pull the hopper shutter (3) to open the tube.
5. Push the lever of the bag grip (13) and position the bag so that the tube of the bag grip is inside the bag.
6. Press the On/Off button (10) to start the motor.
7. When the hopper is empty, press the On/Off push button (10) to stop the motor.
8. Hold the bag with one hand and lift up the bag grip with the other and release it quickly in order for the remaining grind contained in the tube of the bag grip to fall inside the bag.

### STOPPING THE MACHINE

The machine will stop either:

- By pressing the On/Off push button (10) (fig. A) (fig. B).
- Or putting the main O/Off switch (8) to position 0.

# Operation

---

## CHOICE OF TYPE OF GRIND

Turn the grind adjusting button (6) clockwise for a finer grind and anticlockwise for a coarser grind. The factory setting is for the finest grind with the grinding-discs nearly touching each other.

# Maintenance

---

## SERVICING

Clean the coffee bean hopper (2), the grinder body tube (23) and the inside of the bag grip (13) from time to time. Always turn the appliance off (switch (8) in position "0") and unplug it.

### CLEANING THE GRINDER BODY OUTLET TUBE:

The tube is behind the bag grip

**Note: the bag grip is held on its 2 side supports by 2 springs. You are advised to hold the 2 side supports with one hand when dismantling so that these 2 springs do not come out of their housing.**

1. Press the lever of the bag grip (13) to access the 2 lower bag grip fixing screws (25), unscrew the 2 screws (fig. F).
2. Release the bag grip while holding the 2 side supports and unscrew the 2 top bag grip fixing screws (24). (fig. G).
3. Place the "bag grip + support" assembly gently on a flat surface.
4. Clean the tube (23) with a small brush or non-abrasive object. (fig. H).
5. Reassembling: proceed in reverse order.

## MAINTENANCE

Prior to carrying out any intervention on the appliance, it must be disconnected from the mains without fail.

### SPARE PARTS:

This machine requires no specific maintenance. The bearings are lubricated for life. If work is required to replace worn parts such as the grinding-discs or the electric or other components, refer to the parts list (see exploded view at the end of the manual).

**IMPORTANT:** use of spare parts other than certified original Omcan parts is prohibited. Whenever ordering spare parts (see references in the exploded view at the end of this manual), please quote the following:

- The type.
- The appliance serial number.
- The electrical specifications shown at the rear of the machine.

## REPLACING GRINDING-DISCS

**IMPORTANT:** always replace both 2 grindstones (21) at the same time. The 2 grinding-discs are identical

and can be fitted equally either on the moving plate (20) (moving grinding-disc) or on the top plate (19) (fixed grinding disc).

## DISMANTLING:

1. Empty the coffee bean hopper completely.
2. Stop the machine by putting the main switch (8) on "0" and unplug the power supply cable.
3. Turn the grinding-disc adjusting button (6) as far as it will go to position "9".
4. Lift up the magnetic operating indication plate (14).
5. Unscrew and remove the 2 front (15) and 2 rear (16) screws, then remove the hopper (2) by pulling it upwards (fig. C).
6. Unscrew and remove the retaining screw (17) of the shutter of the coffee bean hopper (2), being careful not to drop the spring and washer inside the machine. (fig. D).
7. Unscrew and remove the 4 fixing screws of the top plate (18).
8. Remove the top plate (19). to access the grinding-discs.
9. Change the two grinding-discs (21) (four screws (22)) after carefully cleaning the bearing surfaces. (fig. E).  
**BE CAREFUL:** The slightest small coffee particle under the grinding-disc may prevent the machine from operating correctly. You are advised to clean the grinder body with a compressed air jet or a dry brush.

## REASSEMBLING:

**Note: Operation n° 1 below must be performed before tightening the 4 fixing screws (18) of the top plate (19). This precaution is essential to prevent any risk of the grinding-discs being brought too close to each other, which could deform to grinder body.**

1. Unlocking the graduated ring:
  - Unscrew the locking screw (5) of the graduated ring.
  - Turn the grind adjusting button (6) 2 tours anticlockwise.
2. Clean the grinder body and the top plate (19).
3. Position the top plate (19) aligning the guide of the shutter (3) with the opening above the adjusting button.
4. Fix the top plate (19), then the coffee shutter (3).
5. Fit the hopper (3) and fix the 4 fixing screws (15) (16).
6. Fit the magnetic identification plate (14).
7. Do the zero setting of the graduated ring.

## ZERO ADJUSTMENT OF GRADUATED RING

This should be done after replacing the grinding-discs.

1. Plug the appliance in and run it empty.
2. Unscrew the locking screw (5) of the graduated ring (4). Check that the ring (4) turns freely without driving the adjusting button (6) (fig. J).
3. Turn button (6) clockwise until the grinding-discs come into contact (a slight rubbing noise can be heard) then turn slightly in the opposite direction so that they are no longer touching one another. (fig. J).  
**BE CAREFUL:** This is a delicate operation and prolonged contact between the grinding-discs should be avoided as this could damage them.
4. Stop the machine by pressing the On/Off button (10).
5. Without moving button (6), align the "0" of the graduated ring (4) with the red index mark (7) (ring at end

# Maintenance

---

position), then tighten the locking screw (5) without moving the graduated button or the adjusting button. (fig. I).

6. Run the machine empty in the finest grind position ("0"), to check that the grinding-discs rotate without touching other. If this is not the case, repeat the above procedure.

# Troubleshooting

---

Carefully determine the reason for the appliance stopping.

In all cases: If the problem persists, switch off the power supply to the machine (unplug the cord from the mains socket) and call in the maintenance service or contact an Omcan approved dealer.

## **THE MACHINE WILL NOT START:**

- Check: the mains power supply and the condition of the power supply cord.
- The main switch (8) should be in position "1".
- Press the thermal circuit breaker (9) once.
- Note: the On/Off push button (10) must be lit up in the "pressed" position.
- Check that there is no foreign body stuck between the grinding-discs.
- Check the electric components, replacing them one by one.

## **THE APPLIANCE STOPS AFTER THE MOTOR HAS OVERHEATED:**

(The metal casing around the motor unit is hot)

In the event of the motor overheating, the appliance stops automatically. The cutout built-in to the motor is reset automatically. Wait until the motor cools down (15 to 30 minutes) before starting the machine back up.

## **THE APPLIANCE STOPS FOLLOWING AN OVERLOAD:**

Should the motor become blocked (foreign body, object that is too hard), the overload cutout (9) at the rear of the appliance triggers automatically and cuts out the power supply to the appliance.

- Deactivate the On/Off push button (10).
- Put the main switch (8) to position "0" and unplug the appliance.
- Correct the fault and actuate the button of the overload cutout (9).

If the problem persists, check the following points:

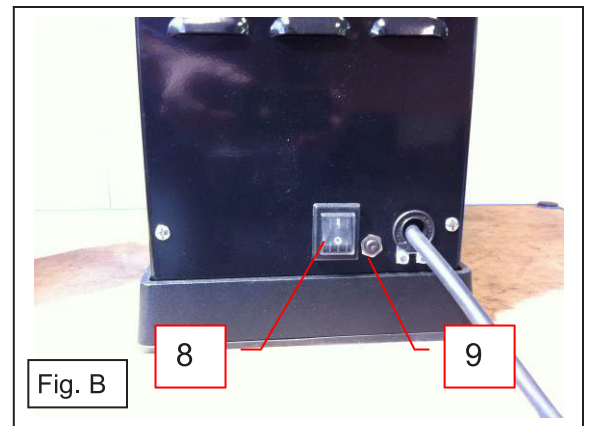
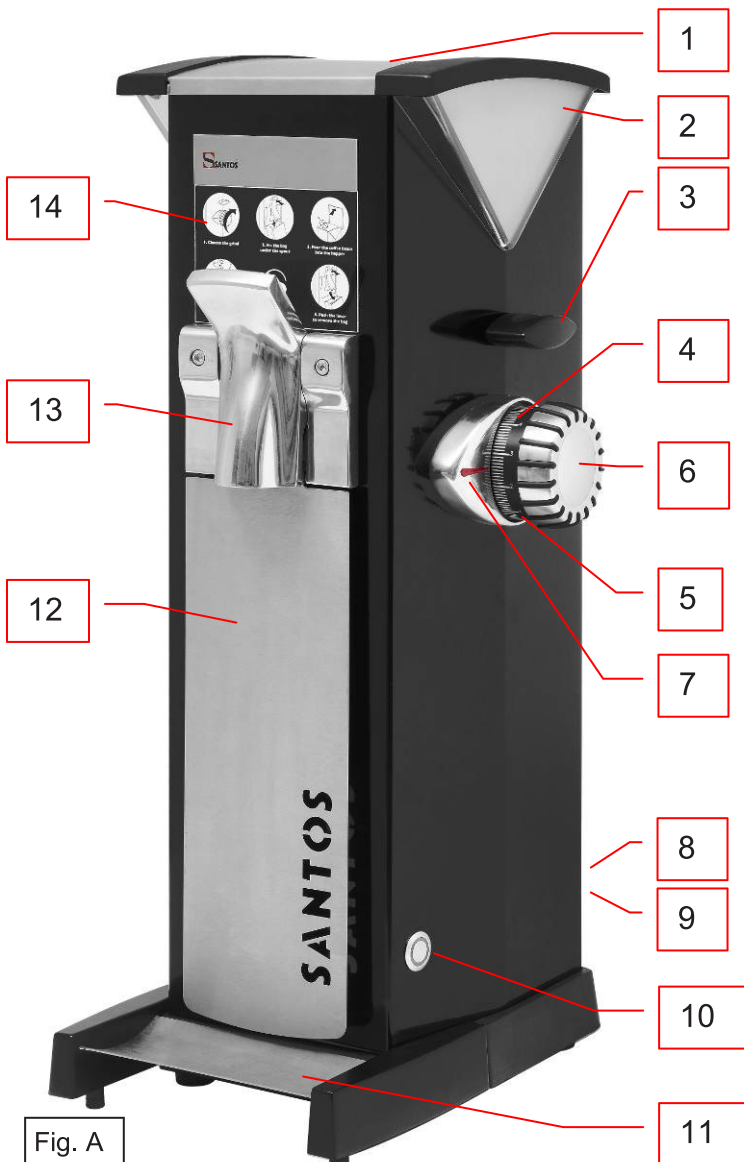
- Check that the grinding-discs are not touching one another.
- Check for wear on the grinding-discs (too fine a grind with worn grinding-discs may result in a motor overload).

# Troubleshooting

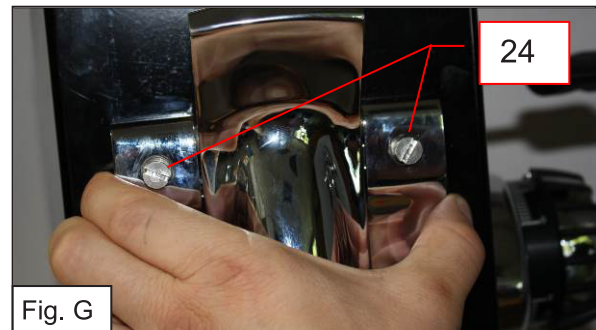
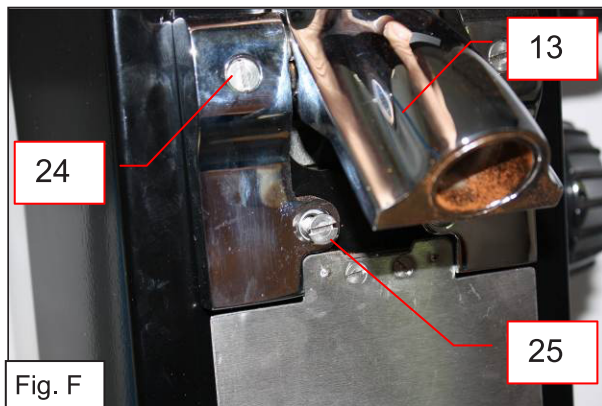
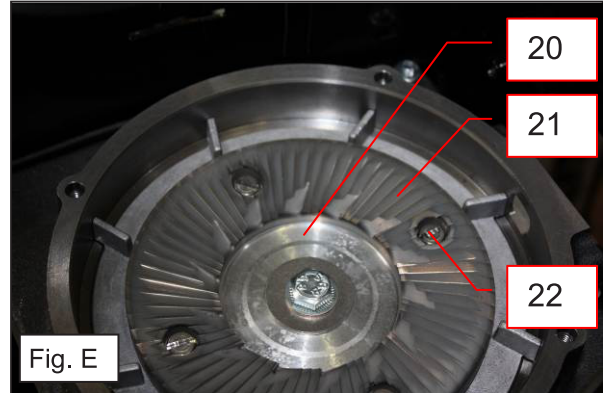
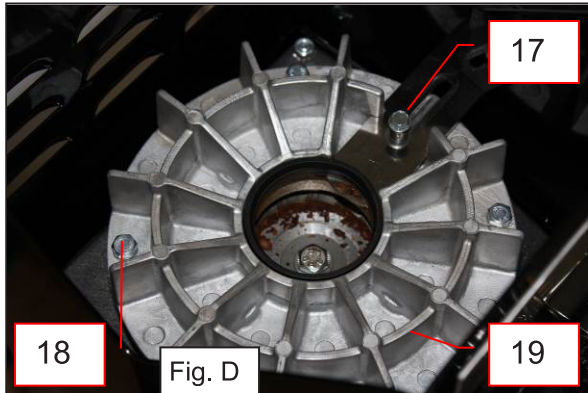
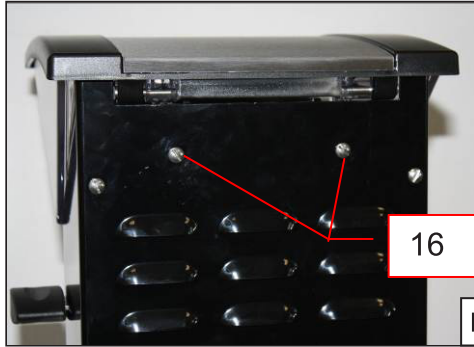
## REFERENCE

Item Number	Model Number	Description	Manufacturer Model Number
44636	Santos 63	Santos Shop and Supermarket Coffee Grinder 63V1 120V/60/1 cULus	63V1

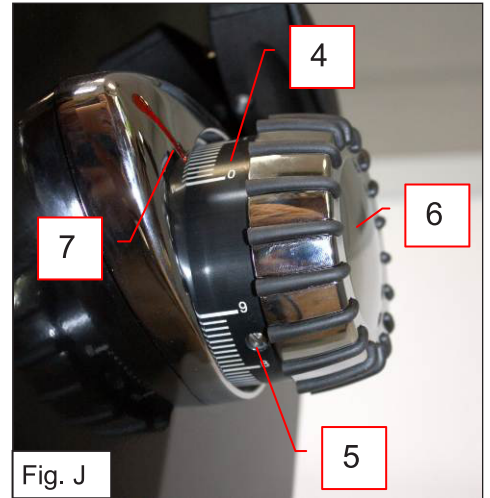
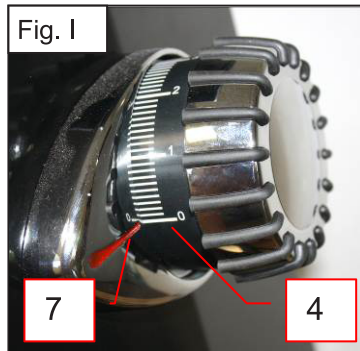
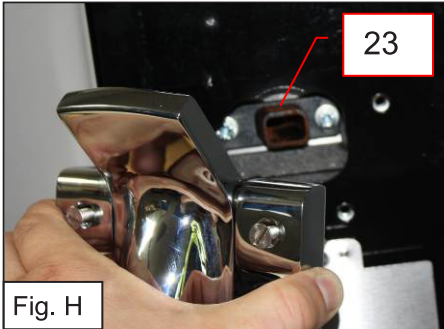
## Figure Drawings



# Figure Drawings

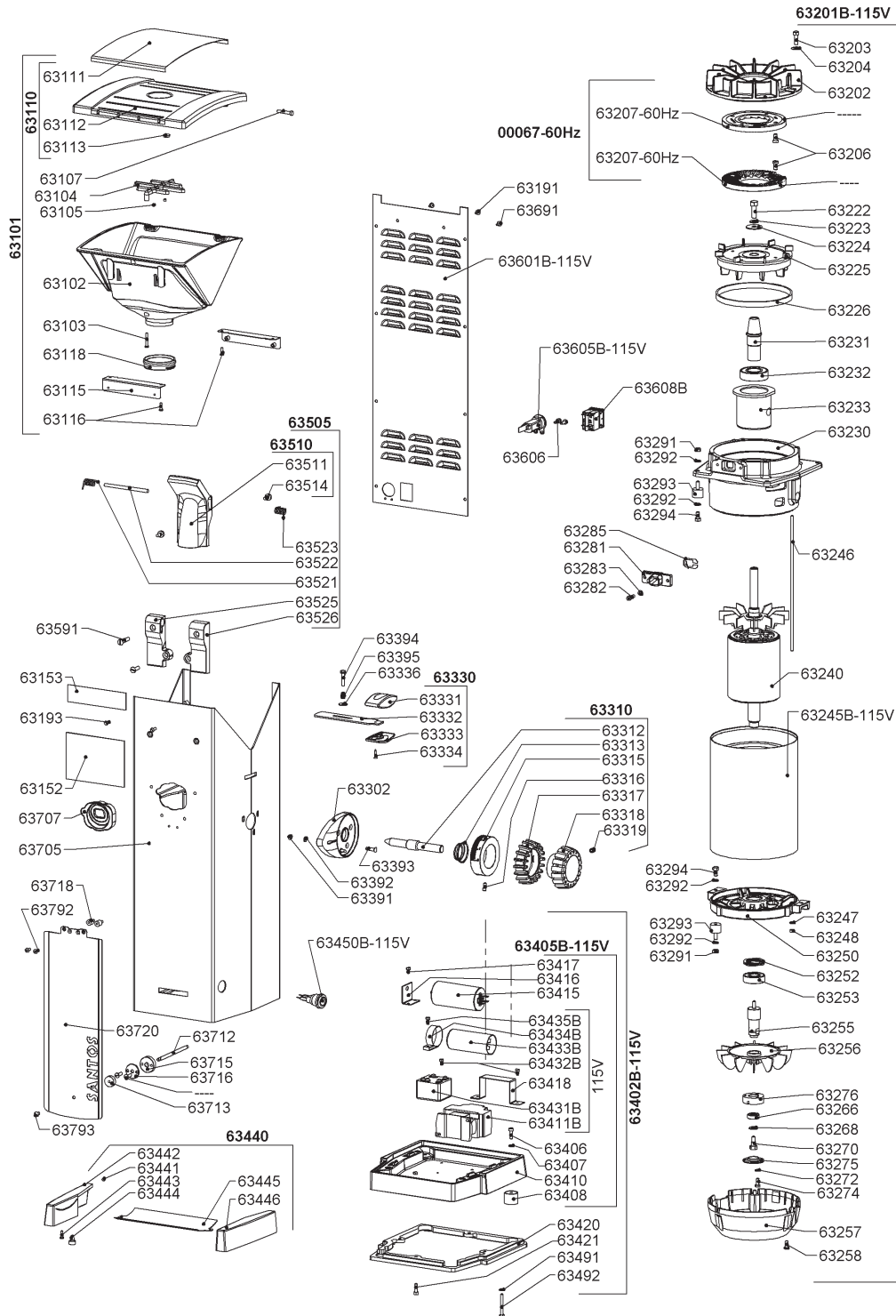


# Figure Drawings



# Parts Breakdown

## Model Santos 63 44636





# Parts Breakdown

## Model Santos 63 44636

Item No.	Description	Position	Item No.	Description	Position	Item No.	Description	Position
40661	Set of 2 Santos Grinding Discs Diam. 120mm for 60Hz for 63V1	00067	69484	Ball Bearing 6203 for 63V1	63253	69524	Complete Bottom Plate 110V for 63V1	63402B
69445	Complete Hopper for 63V1	63101	69485	Eccentric for 63V1	63255	69525	Bottom Plate 110V for 63V1	63405B
69446	Hopper for 63V1	63102	69486	Fan for 63V1	63256	69526	Screw CHC M5x15 ZN for 63V1	63406
69447	Screw CBX 4x25 Auto for 63V1	63103	69487	Fan Cover for 63V1	63257	69527	Washer AZ 5 ZN for 63V1	63407
69448	Hopper Spider for 63V1	63104	69488	Screw CBX M5x12 ZN Autotar for 63V1	63258	69528	Bumper for 63V1	63408
69449	Magnet for 63V1	63105	69489	Ball Bearing 608 for 63V1	63266	69529	Painted Base for 63V1	63410
69450	Cover Hinge for 63V1	63107	69490	Washer 9x16x1.5 S.Steel for 63V1	63268	69530	Relay 115V 50/60Hz for 63V1	63411B
69451	Cover Assembly for 63V1	63110	69491	Eccentric Bearing Screw for 63V1	63270	69531	Capacitor 40µF 450V for 63V1	63415
69452	Cover Plate for 63V1	63111	69492	Washer AZ 5 ZN for 63V1	63272	69532	Capacitor Holding Plate for 63V1	63416
69453	Hopper Cover for 63V1	63112	69493	Screw H M5x12 ZN for 63V1	63274	69533	Screw H M4x8 ZN Auto for 63V1	63417
69454	Black Adhesive Bumper for 63V1	63113	69494	Bearing Cover for 63V1	63275	69534	110V Contactor Holder for 63V1	63418
69455	Hopper Holder Angle for 63V1	63115	69495	Eccentric Ring V2 for 63V1	63276	69535	NSF Base Seal for 63V1	63420
69456	Screw CBX 4x12 Auto for 63V1	63116	69496	Coffee Output Channel for 63V1	63281	69536	Screw H M5x16 ZN Auto for 63V1	63421
69457	Hopper Seal for 63V1	63118	69497	Screw CHC M5x15 ZN for 63V1	63282	69537	Starting Relay 110V for 63V1	63431B
69458	Set of 2 Magnet Plates FR+GB 90x126 for 63V1	63152	69498	Washer AZ 5 ZN for 63V1	63283	69538	Screw H M4x8 ZN Auto for 63V1	63432B
69459	Santos Plate for 63V1	63153	69499	Coffee Output Flap for 63V1	63285	69539	Capacitor 80 µF 100-120V 50/60 Hz for 63V1	63433B
69460	Screw RLS M4x8 IN for 63V1	63191	69500	Nut HM 6 ZN for 63V1	63291	69540	Capacitor Ring for 63V1	63434B
69461	Screw FS M4x12 S.Steel for 63V1	63193	69501	Washer AZ 6 ZN for 63V1	63292	69541	Screw H 4x10 ZN for 63V1	63435B
69462	Complete Motor Single Phase 110-120V 60Hz for 63V1	63201B	69502	Silentbloc for 63V1	63293	69542	Ground Coffee Receptacle for 63V1	63440
69463	Top Tray for 63V1	63202	69503	Screw H M6x12 ZN for 63V1	63294	69543	Magnet for 63V1	63441
69464	Screw H M6x20 ZN for 63V1	63203	69504	Button Index for 63V1	63302	69544	Ground Receptacle Left Foot for 63V1	63442
69465	Grower Washer W 6 ZN for 63V1	63204	69505	Adjusting Button for 63V1	63310	69545	Screw CBX 4x12 Auto for 63V1	63443
69466	Screw CS M6x12 S.Steel for 63V1	63206	69506	Grind Adjustment Screw for 63V1	63312	69546	Bumper Diam. 12 H 7.5 Black for 63V1	63444
69467	Diam. 120mm Grinding Disc 60Hz for 63V1	63207	69507	Adjusting Button Spring for 63V1	63313	69547	Grounds Receptacle for 63V1	63445
69468	Screw H M8x25 ZN for 63V1	63222	69508	Graduated Ring for 63V1	63315	69548	Ground Receptacle Right Foot for 63V1	63446
69469	Contact Washer 8 ZN for 63V1	63223	69509	Index Locking Screw for 63V1	63316	69549	Lighted Push Switch 110V for 63V1	63450B
69470	Washer 8x30 S.Steel for 63V1	63224	69510	Soft Button for 63V1	63317	69550	Contact Washer 5x12 ZN for 63V1	63491
69471	Grinding Disc Holding Plate for 63V1	63225	69511	Adjusting Button for 63V1	63318	69551	Screw H M5x40 S.Steel for 63V1	63492
69472	Seal for 63V1	63226	69512	Screw HC M8x10 for 63V1	63319	69552	Coffee Output Assembly for 63V1	63505
69473	Upper Flange for 63V1	63230	69513	Obturator for 63V1	63330	69553	Coffee Output with Bumpers for 63V1	63510
69474	Grinding Disc Holder Shaft for 63V1	63231	69514	Shutter Handle for 63V1	63331	69554	Coffee Output for 63V1	63511
69475	Ball Bearing 6205 for 63V1	63232	69515	Shutter Plate for 63V1	63332	69555	White Bumper for 63V1	63514
69476	Adjusting Ring for 63V1	63233	69516	Shutter Handle Closer for 63V1	63333	69556	Left Bag Holder Spring for 63V1	63521
69477	Rotor with Shaft for 63V1	63240	69517	Screw FX 3.5x16 S.Steel Auto for 63V1	63334	69557	Bag Holder Axle for 63V1	63522
69478	Stator 110-120V 60Hz for 63V1	63245B	69518	Washer 5x16x1 ZN for 63V1	63336	69558	Right Bag Holder Spring for 63V1	63523
69479	Assembling Threaded Rod M5 for 63V1	63246	69519	Nut HM 5 ZN for 63V1	63391	69559	Left Bag Holder Base for 63V1	63525
69480	Washer AZ 5 ZN for 63V1	63247	69520	Washer AZ 5 ZN for 63V1	63392	69560	Right Bag Holder Base for 63V1	63526
69481	Nut HM 5 ZN for 63V1	63248	69521	Screw FX M5x20 IN for 63V1	63393	69561	Screw FS M6x30 S.Steel for 63V1	63591
69482	Rear Flange for 63V1	63250	69522	Screw H M 5x25 ZN Auto for 63V1	63394	69562	Rear Sheet 115 V for 63V1	63601B
69483	Ondulated Washer for 63V1	63252	69523	Spring for 63V1	63395	69563	Power Cord with US Plug for 63V1	63605B

# Parts Breakdown

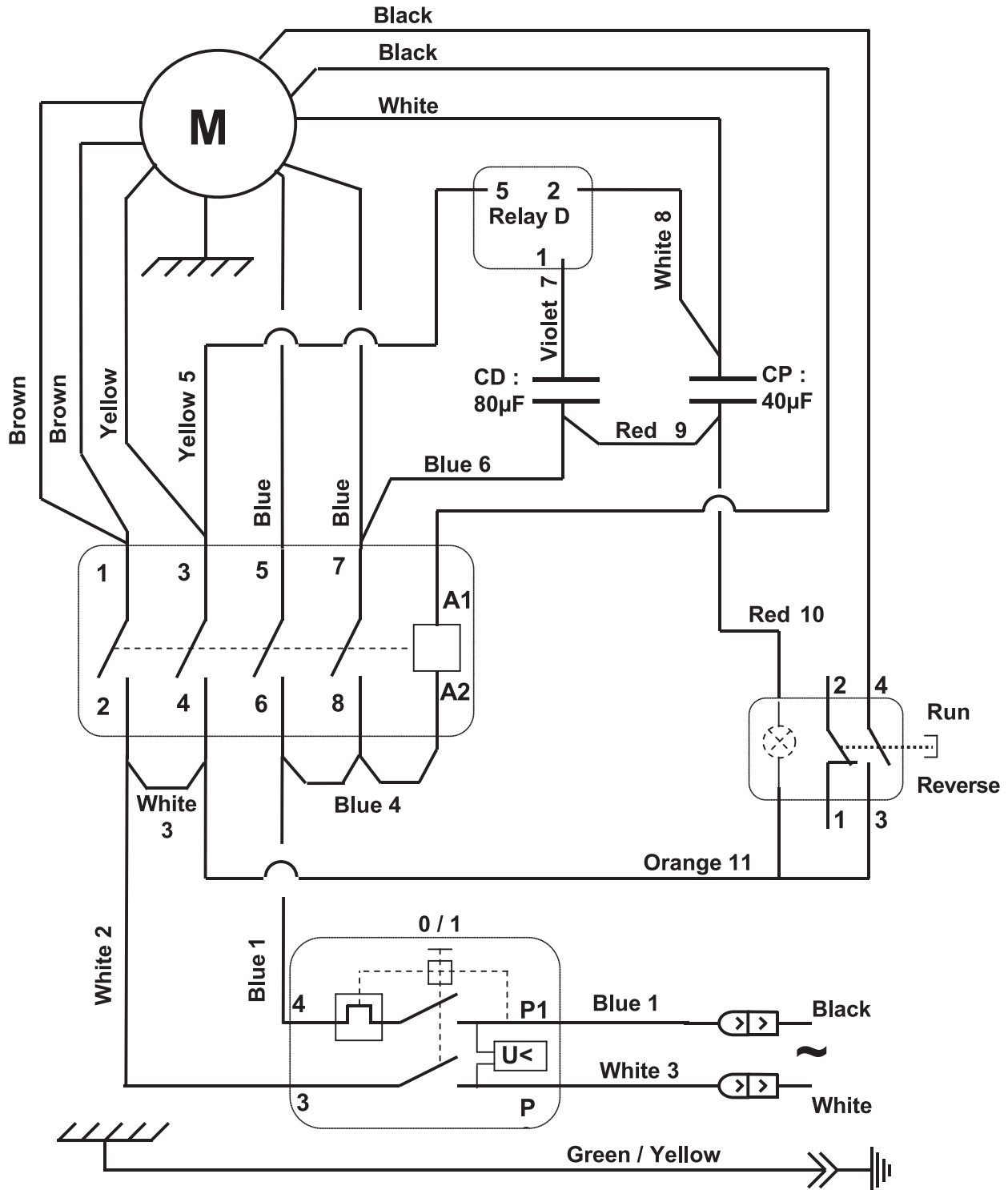
---

## Model Santos 63 44636

Item No.	Description	Position	Item No.	Description	Position	Item No.	Description	Position
69564	Screw H 4.2x12.7 ZN for 63V1	63606	69569	Eccentric Rod for 63V1	63712	69574	Vibrating Plate for 63V1	63720
69565	Rocker Switch for 63V1	63608B	69570	Vibrating Plate Holder for 63V1	63713	69575	Screw FZ M4x8 S.Steel Auto for 63V1	63792
69566	Screw RLS M4x8 S.Steel for 63V1	63691	69571	Eccentric Guide Rod for 63V1	63715	69576	Screw M5x8 Stainless Steel for 63V1	63793
69567	Main Sheet for 63V1	63705	69572	Eccentric Guide Cover for 63V1	63716			
69568	Conduit Seal for 63V1	63707	69573	Silentbloc 10x10 for 63V1	63718			

# Electrical Schematics

Model Santos 63 44636







# Warranty Registration

Thank you for purchasing an Omcan product. To register your warranty for this product, complete the information below, tear off the card at the perforation and then send to the address specified below. You can also register online by visiting:

Merci d'avoir acheté un produit Omcan. Pour enregistrer votre garantie pour ce produit, complétez les informations ci-dessous, détachez la carte au niveau de la perforation, puis l'envoyer à l'adresse spécifiée ci-dessous. Vous pouvez également vous inscrire en ligne en visitant:

Gracias por comprar un producto Omcan usted. Para registrar su garantía para este producto, complete la información a continuación, cortar la tarjeta en la perforación y luego enviarlo a la dirección indicada a continuación. También puede registrarse en línea en:

<https://omcan.com/warranty-registration/>

For mailing in Canada

Pour postale au Canada

Por correo en Canadá

**OMCAN**

PRODUCT WARRANTY REGISTRATION

3115 Pepper Mill Court,

Mississauga, Ontario

Canada, L5L 4X5

For mailing in the US

Pour diffusion aux États-Unis

Por correo en los EE.UU.

**OMCAN**

PRODUCT WARRANTY REGISTRATION

4450 Witmer Industrial Estates, Unit 4,

Niagara Falls, New York

USA, 14305

*or email to: [service@omcan.com](mailto:service@omcan.com)*



Purchaser's Information

Name: \_\_\_\_\_

Address: \_\_\_\_\_

City: \_\_\_\_\_ Province or State: \_\_\_\_\_ Postal or Zip: \_\_\_\_\_

Country: \_\_\_\_\_

Dealer from which Purchased: \_\_\_\_\_

Dealer City: \_\_\_\_\_ Dealer Province or State: \_\_\_\_\_

Invoice: \_\_\_\_\_

Model Name: \_\_\_\_\_ Model Number: \_\_\_\_\_

Machine Description: \_\_\_\_\_

Date of Purchase (MM/DD/YYYY): \_\_\_\_\_

Would you like to extend the warranty?  Yes  No

Company Name: \_\_\_\_\_

Telephone: \_\_\_\_\_

Email Address: \_\_\_\_\_

Type of Company:

Restaurant  Bakery  Deli

Butcher  Supermarket  Caterer

Institution (specify): \_\_\_\_\_

Other (specify): \_\_\_\_\_

Serial Number: \_\_\_\_\_

Date of Installation (MM/DD/YYYY): \_\_\_\_\_

**Thank you for choosing Omcan | Merci d'avoir choisi Omcan | Gracias por elegir Omcan**



Since 1951 Omcan has grown to become a leading distributor of equipment and supplies to the North American food service industry. Our success over these many years can be attributed to our commitment to strengthen and develop new and existing relationships with our valued customers and manufacturers. Today with partners in North America, Europe, Asia and South America, we continually work to improve and grow the company. We strive to offer customers exceptional value through our qualified local sales and service representatives who provide convenient access to over 5,000 globally sourced products.

---

Depuis 1951 Omcan a grandi pour devenir un des “leaders” de la distribution des équipements et matériel pour l’industrie des services alimentaires en Amérique du Nord. Notre succès au cours de ces nombreuses années peut être attribué à notre engagement à renforcer et à développer de nouvelles et existantes relations avec nos clients et les fabricants de valeur. Aujourd’hui avec des partenaires en Amérique du Nord, Europe, Asie et Amérique du Sud, nous travaillons continuellement à améliorer et développer l’entreprise. Nous nous efforçons d’offrir à nos clients une valeur exceptionnelle grâce à nos ventes locales qualifiées et des représentants de service qui offrent un accès facile à plus de 5000 produits provenant du monde entier.

---

Desde 1951 Omcan ha crecido hasta convertirse en un líder en la distribución de equipos y suministros de alimentos en América del Norte industria de servicios. Nuestro éxito en estos años se puede atribuir a nuestro compromiso de fortalecer y desarrollar nuevas relaciones existentes con nuestros valiosos clientes y fabricantes. Hoy con socios de América del Norte, Europa, Asia y América del Sur, que trabajan continuamente para mejorar y crecer la empresa. Nos esforzamos por ofrecer a nuestros clientes valor excepcional a través de nuestro local de ventas y representantes de los servicios que proporcionan un fácil acceso a más de 5,000 productos con origen a nivel mundial.

