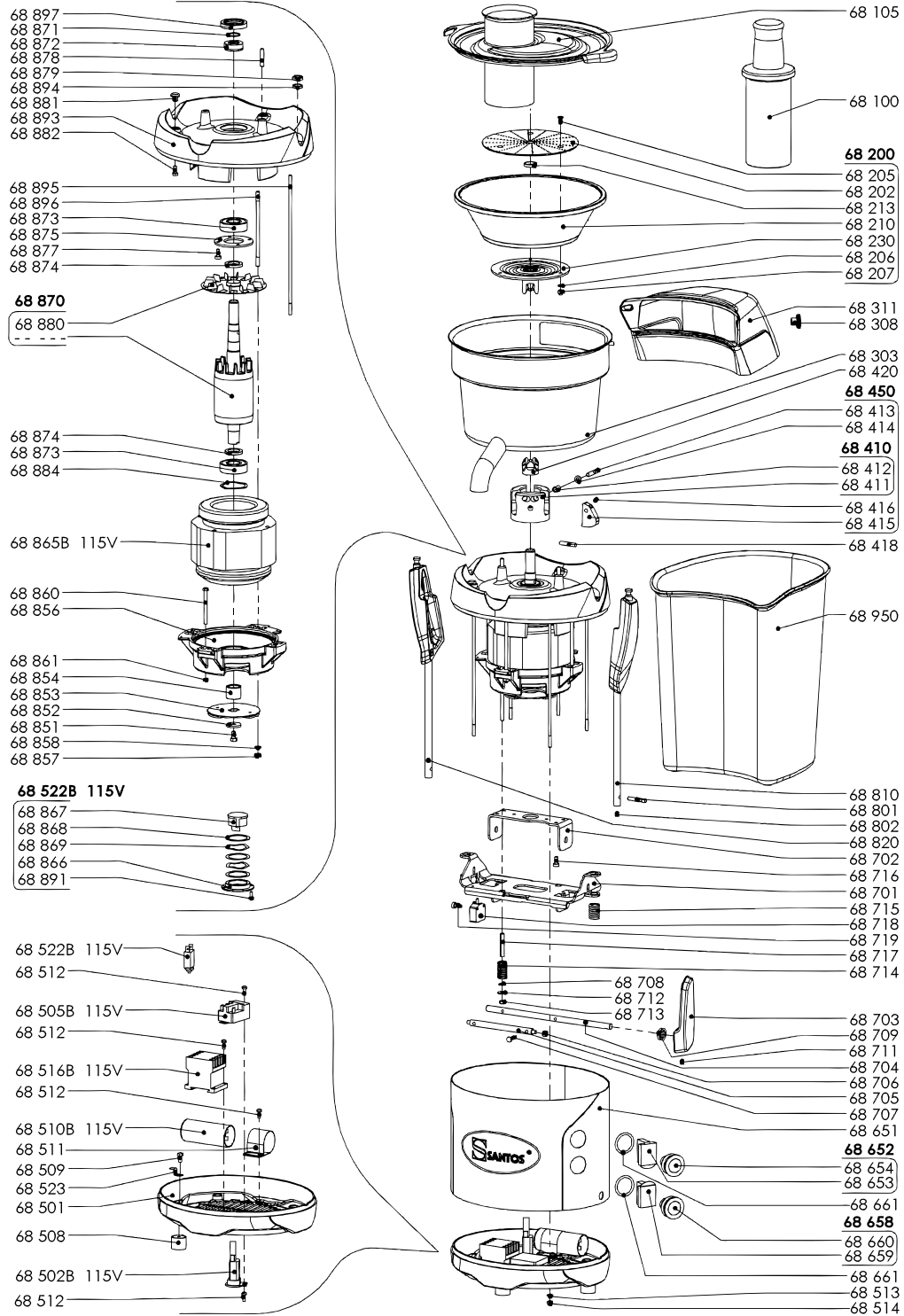


# Parts Breakdown

## Model Santos 68 39684



# Parts Breakdown

## Model Santos 68 39684

Item No.	Description	Position	Item No.	Description	Position	Item No.	Description	Position
40924	Fruit Pusher for 39684	68100	73740	Thermal Protector (110V) for 39684	68522B	73513	Break Disc for 39684	68853
73456	Top Cover for 39684	68105	73482	Wire Clip for 39684	68523	73514	Rear Bearing Spacer for 39684	68854
40925	Complete Basket Standard with Blade for 39684	68200	73483	Stainless Steel Body for 39684	68651	73515	Rear Flange Only for 39684	68856
40926	Blade (Disc) Only for 39684	68202	73484	Complete Start Button for 39684	68652	73516	Nut H M6 ZN for 39684	68857
73457	Screw F90 M5x12 Stainless Steel for 39684	68205	73485	Start Block for 39684	68653	73517	Washer AZ 6 for 39684	68858
73458	Washer Grower W5 for 39684	68206	40932	Start Button for 39684	68654	73518	Brake Screw for 39684	68860
73459	Cap Nut H M5 for 39684	68207	73486	Complete Stop Button for 39684	68658	73519	Nut for 39684	68861
40927	Basket (Strainer) Only Standard for 39684	68210	73487	Stop Block for 39684	68659	73741	Stator Only 100-120V 50/60Hz for 39684	68865B
73460	Basket Base Seal for 39684	68213	40933	Stop Button for 39684	68660	73521	Thermal Protector Holder for 39684	68866
73461	Basket Base for 39684	68230	73488	O Ring for 39684	68661	73522	Thermostat de Securite Equipe for 39684	68867
73462	Bowl for 39684	68303	73489	Brake Sheet for 39684	68701	73523	Washer for 39684	68868
73463	Nut M6 Stainless Steel for 39684	68308	73490	Safety Cage for 39684	68702	73524	Crinkle Washer for 39684	68869
73464	Removable Chute for 39684	68311	73491	Aluminum Locking Handle for 39684	68703	73525	Rotor + Shaft + Fan for 39684	68870
AC366	Set + Ring for 39684	68410	73492	Safety Axle for 39684	68704	73526	O Ring 19x1.5 for 39684	68871
73465	Shifting Head for 39684	68411	73493	Safety Ring Holder for 39684	68705	73527	Seal Ring for 39684	68872
73466	Bronze Bushing for 39684	68412	73494	Safety Ring 6x9x6 for 39684	68706	40934	Bearing 6204 for 39684	68873
73467	Lever Axle for 39684	68413	73495	Screw CHC M5x20 ZN for 39684	68707	73528	Bearing Washer for 39684	68874
73468	Washer PA 6.4x12x1.6 for 39684	68414	73496	Flat Ring 5x12x1 ZN for 39684	68708	73529	Bearing Plate for 39684	68875
73469	Lever for 39684	68415	73497	V Ring Gasket V16 A for 39684	68709	73530	Screw M5x12 ZN Auto for 39684	68877
73470	Screw HC M6x8 Stainless Steel for 39684	68416	73498	Screw HC M6x8 for 39684	68711	73531	Seal for 39684	68878
73471	Pin 6x30 for 39684	68418	73499	Stainless Steel Washer for 39684	68712	73532	Gasket 12x18x5 for 39684	68879
73472	Shaft Nut for 39684	68420	73500	Stainless Steel Nut H M5 for 39684	68713	73533	Fan for 39684	68880
73473	Shifter Head Assembly for 39684	68450	73501	Rod Spring for 39684	68714	73534	Bowl Sustainer for 39684	68881
73474	Painted Base for 39684	68501	73502	Safety Spring for 39684	68715	73535	Screw H M5x12 ZN for 39684	68882
73736	Power Cord with USA Plug for 39684	68502B	73503	Screw H M5x12 ZN Autotar for 39684	68716	73536	Ondulated Washer for 39684	68884
73737	Starting Relay 110V for 39684	68505B	73504	Spacer 5x40 ZN for 39684	68717	73537	Screw 4x10 for 39684	68891
73476	Foot for 39684	68508	73505	Safety Switch for 39684	68718	73538	Top Flange for 39684	68893
73477	Screw H M5x12 ZN for 39684	68509	73506	Screw CB M5x12 Auto for 39684	68719	73539	Upper Bearing Ring for 39684	68894
73738	Capacitor 180 µF 100-120V 50/60 Hz for 39684	68510B	73507	Anti Rotation Safety Axle for 39684	68801	73540	Column Locking Rod for 39684	68895
73478	Capacitor Ring for 39684	68511	73508	Screw HC M6x8 for 39684	68802	73541	Motor Locking Rod for 39684	68896
73479	Screw CXS M4x12 Auto for 39684	68512	73509	Left Locking Arm for 39684	68810	73542	Gasket for 39684	68897
73480	Washer AZ 5 Stainless Steel for 39684	68513	73510	Right Locking Arm for 39684	68820	40935	Pulp Container for 39684	68950
73481	Cap Nut H M5 for 39684	68514	73511	Screw H M6x12 ZN for 39684	68851			
73739	Contacto 100-120V 50/60 Hz for 39684	68516B	73512	Breaking Disc Washer for 39684	68852			