



Bread Slicers

***Models SB-CN-0025, 0013, 0019, 0016, 0011
Items 44246, 44247, 44248, 44249, 44250
Instruction Manual***



Revised - 05/24/2018

Toll Free: 1-800-465-0234
Fax: 905-607-0234
Email: service@omcan.com
www.omcan.com

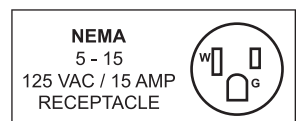


Table of Contents

Model SB-CN-0025 / Model SB-CN-0013 / Model SB-CN-0019
Model SB-CN-0016 / Model SB-CN-0011

Section	Page
General Information -----	3 - 4
Safety and Warranty -----	4 - 5
Technical Specifications -----	5
Installation -----	6
Operation -----	6
Maintenance -----	6 - 7
Troubleshooting -----	7
Parts Breakdown -----	8 - 13
Electrical Schematics -----	14
Warranty Registration -----	15



General Information

Omcan Manufacturing and Distributing Company Inc., Food Machinery of America, Inc. dba Omcan and Omcan Inc. are not responsible for any harm or injury caused due to any person's improper or negligent use of this equipment. The product shall only be operated by someone over the age of 18, of sound mind, and not under the influence of any drugs or alcohol, who has been trained in the correct operation of this machine, and is wearing authorized, proper safety clothing. Any modification to the machine voids any warranty, and may cause harm to individuals using the machine or in the vicinity of the machine while in operation.

CHECK PACKAGE UPON ARRIVAL

Upon receipt of an Omcan shipment please inspect for external damage. If no damage is evident on the external packaging, open carton to ensure all ordered items are within the box, and there is no concealed damage to the machine. If the package has suffered rough handling, bumps or damage (visible or concealed), please note it on the bill of lading before accepting the delivery and contact Omcan within 24 hours, so we may initiate a claim with the carrier. A detailed report on the extent of the damage caused to the machine must be filled out within three days, from the delivery date shown in the shipping documents. Omcan has no recourse for damaged products that were shipped collect or third party.

Before operating any equipment, always read and familiarize yourself with all operation and safety instructions.

Omcan would like to thank you for purchasing this machine. It's of the utmost importance to save these instructions for future reference. Also save the original box and packaging for shipping the equipment if servicing or returning of the machine is required.

Omcan Fabrication et distribution Compañie Limité et Food Machinery d'Amérique, dba Omcan et Omcan Inc. ne sont pas responsables de tout dommage ou blessure causé du fait que toute personne ait utilisé cet équipement de façon irrégulière. Le produit ne doit être exploité que par quelqu'un de plus de 18 ans, saine d'esprit, et pas sous l'influence d'une drogue ou d'alcool, qui a été formé pour utiliser cette machine correctement, et est vêtu de vêtements de sécurité approprié. Toute modification de la machine annule toute garantie, et peut causer un préjudice à des personnes utilisant la machine ou des personnes à proximité de la machine pendant son fonctionnement.

VÉRIFIEZ LE COLIS DÈS RÉCEPTION

Dès réception d'une expédition d'Omcan veuillez inspecter pour dommages externes. Si aucun dommage n'est visible sur l'emballage externe, ouvrez le carton afin de s'assurer que tous les éléments commandés sont dans la boîte, et il n'y a aucun dommage dissimulé à la machine. Si le colis n'a subi aucune mauvaises manipulations, de bosses ou de dommages (visible ou cachée), notez-le sur le bond de livraison avant d'accepter la livraison et contactez Omcan dans les 24 heures qui suivent, pour que nous puissions engager une réclamation auprès du transporteur. Un rapport détaillé sur l'étendue des dommages causés à la machine doit être rempli dans un délai de trois jours, à compter de la date de livraison indiquée dans les documents d'expédition. Omcan n'a aucun droit de recours pour les produits endommagés qui ont été expédiés ou cueilli par un tiers transporteur.

General Information

Avant d'utiliser n'importe quel équipement, toujours lire et vous familiariser avec toutes les opérations et les consignes de sécurité.

Omcan voudrais vous remercier d'avoir choisi cette machine. Il est primordial de conserver ces instructions pour une référence ultérieure. Également conservez la boîte originale et l'emballage pour l'expédition de l'équipement si l'entretien ou le retour de la machine est nécessaire.

Omcan Empresa De Fabricacion Y Distribucion Inc. Y Maquinaria De Alimentos De America, Inc. dba Omcan y Omcan Inc. no son responsables de ningun daño o perjuicio causado por cualquier persona inadecuada o el uso descuidado de este equipo. El producto solo podra ser operado por una persona mayor de 18 años, en su sano juicio y no bajo alguna influencia de droga o alcohol, y que este ha sido entrenado en el correcto funcionamiento de esta máquina, y ésta usando ropa apropiada y autorizada. Cualquier modificación a la máquina anula la garantía y puede causar daños a las personas usando la máquina mientras esta en el funcionamiento.

REVISE EL PAQUETE A SU LLEGADA

Tras la recepcion de un envio Omcan favor inspeccionar daños externos. Si no hay daños evidentes en el empaque exterior, Habra el carton para asegurarse que todos los articulos solicitados estén dentro de la caja y no encuentre daños ocultos en la máquina. Si el paquete ha sufrido un manejo de poco cuidado, golpes o daños (visible o oculto) por favor anote en la factura antes de aceptar la entrega y contacte Omcan dentro de las 24 horas, de modo que podamos iniciar una reclamación con la compañía. Un informe detallado sobre los daños causados a la máquina debe ser llenado en el plazo de tres días, desde la fecha de entrega que se muestra en los documentos de envío. Omcan no tiene ningun recurso por productos dañados que se enviaron a recoger por terceros.

Antes de utilizar cualquier equipo, siempre lea y familiarizarse con todas las instrucciones de funcionamiento y seguridad.

Omcan le gustaría darle las gracias por la compra de esta máquina. Es de la mayor importancia para salvar estas instrucciones para futuras consultas. Además, guarda la caja original y el embalaje para el envío del equipo si servicio técnico o devolución de la máquina que se requiere.

Safety and Warranty

DANGER

TO REDUCE THE RISK OF FIRE OR ELECTRIC SHOCK, CAREFULLY FOLLOW THESE INSTRUCTIONS

For your safety, this equipment has been verified by qualified technicians and carefully crated before shipment. The freight company takes full responsibility for the delivery of this equipment in good condition, by accepting to deliver it.



Safety and Warranty

- The manufacturer suggests to read this manual carefully.
- The bread slicer is manufactured with first quality materials by experienced technicians. Normal use and adequate maintenance will guarantee a reliable service for years to come.
- The bread slicer is available in four different slice thickness (1/2, 5/8, 3/4 and 1 inch).
- A nameplate fixed to the left side of the slicer specifies the serial number, model number, amperage, voltage and frequency.
- Drawings, electrical diagrams and replacement part numbers are included in this manual

BEFORE USING THE BREAD SLICER, VERIFY THAT NOTHING OBSTRUCTS THE CHUTE BLADE AND TIGHTEN THE GUIDE ADJUSTMENT.

1 YEAR PARTS AND LABOR WARRANTY

Within the warranty period, contact Omcan Inc. at 1-800-465-0234 to schedule an Omcan authorized service technician to repair the equipment locally.

Unauthorized maintenance will void the warranty. Warranty covers electrical and part failures, not improper use.

Please see www.omcan.com/warranty.html for complete info.

WARNING:

The packaging components (cardboard, polyethylene, and others) are classified as normal solid urban waste and can therefore be disposed of without difficulty.

In any case, for suitable recycling, we suggest disposing of the products separately (differentiated waste) according to the current norms.

DO NOT DISCARD ANY PACKAGING MATERIALS IN THE ENVIRONMENT!

Technical Specifications

Model	SB-CN-0025	SB-CN-0013	SB-CN-0019	SB-CN-0016	SB-CN-0011
HP	0.25				
Size	1" / 25mm	1/2" / 13mm	3/4" / 19mm	5/8" / 16mm	7/16" / 11mm
Electrical	110V/60/1				
Weight	176 lbs. / 79.8 kgs.				
Dimensions	26" x 29.5" x 29.5" / 660 x 749 x 749mm				
Item Number	44246	44247	44248	44249	44250

Installation

Open the crate and remove all materials used for packing as well as the accessories. Put the slicer on a stable table or counter and make sure the slicer is level. Each unit is set up to be used with the electrical supply specified on the nameplate fixed on the left side of the slicer.

Operation

1. Make sure there are no obstructions in the chute.
2. Adjust the side and top guide a 1/2 inch from each side of the bread and a 1/2 inch from the top.
3. Use only cold bread in the slicer.
4. Start the slicer with the main switch on the left side.
5. Put the bread in the chute and by using the wood bread pusher exert pressure on the bread. When the bread comes out, remove it and put it on the bread bagger on the top of the slicer. Take a bag and insert over the bagger and the bread; then remove them and close the bag.

WARNING: NEVER TRY TO PUSH OR PULL OUT THE BREAD WITH YOUR HANDS WHEN THE SLICER IS ON. ALWAYS DISCONNECT THE ELECTRIC CORD OR MAIN POWER BREAKER.

Maintenance

We recommend cleaning the slicer every day to prevent accumulation of bread pieces. Use a small vacuum to clean the bread crumbs.

CHANGING BLADES

TO REMOVE THE BLADES

1. Remove the top cover and the guide.
2. Remove the exit chute.
3. Remove the support angle on each side of the chute (10mm key).
4. Unscrew bolt.
5. Unscrew the bottom bolt on the blade frame.
6. Turn the frame cam wheel with the v belt.
7. Use the special tool to remove the blades one by one.

Tool sold separately, Item number [78617](#).

TO INSTALL THE NEW BLADES

1. Use the special tool to install the blades one by one.
2. Install the blade frame tighten the bottom bolt and make sure the frames are aligned.
3. Install the angle support on each side of the chute (10mm key).
4. Install the exit chute.
5. Install the top cover and the guide.

Maintenance

Always cut off the main power before replacing any parts.

Troubleshooting

Problems	Solutions
The slicer does not turn on when powered.	Check if the electric cord is connected.
	Check the breaker of the building.
	Check the breaker on the side of the slicer.
	If the slicer is still not working, call a technician or us.
The slicer does not slice properly.	Make sure the bread is not hot.
	Check if the blade is clean.
	Check the guide adjustment.
	If the slicer still does not slice properly, change the blade.

REFERENCE

Item Number	Model Number	Description	Manufacturer Model Number
44246	SB-CN-0025	Bread Slicer 1" / 25mm Thickness 0.25 HP / 186 W 110V/60/1	JSL-1
44247	SB-CN-0013	Bread Slicer 0.5" / 13mm Thickness 0.25 HP / 186 W 110V/60/1	JSL-1/2
44248	SB-CN-0019	Bread Slicer 0.75" / 19mm Thickness 0.25 HP / 186 W 110V/60/1	JSL-3/4
44249	SB-CN-0016	Bread Slicer 0.6" / 16mm Thickness 0.25 HP / 186 W 110V/60/1	JSL-5/8
44250	SB-CN-0011	Bread Slicer 0.4" / 11mm Thickness 0.25 HP / 186 W 110V/60/1	JSL-7/16

Parts Breakdown

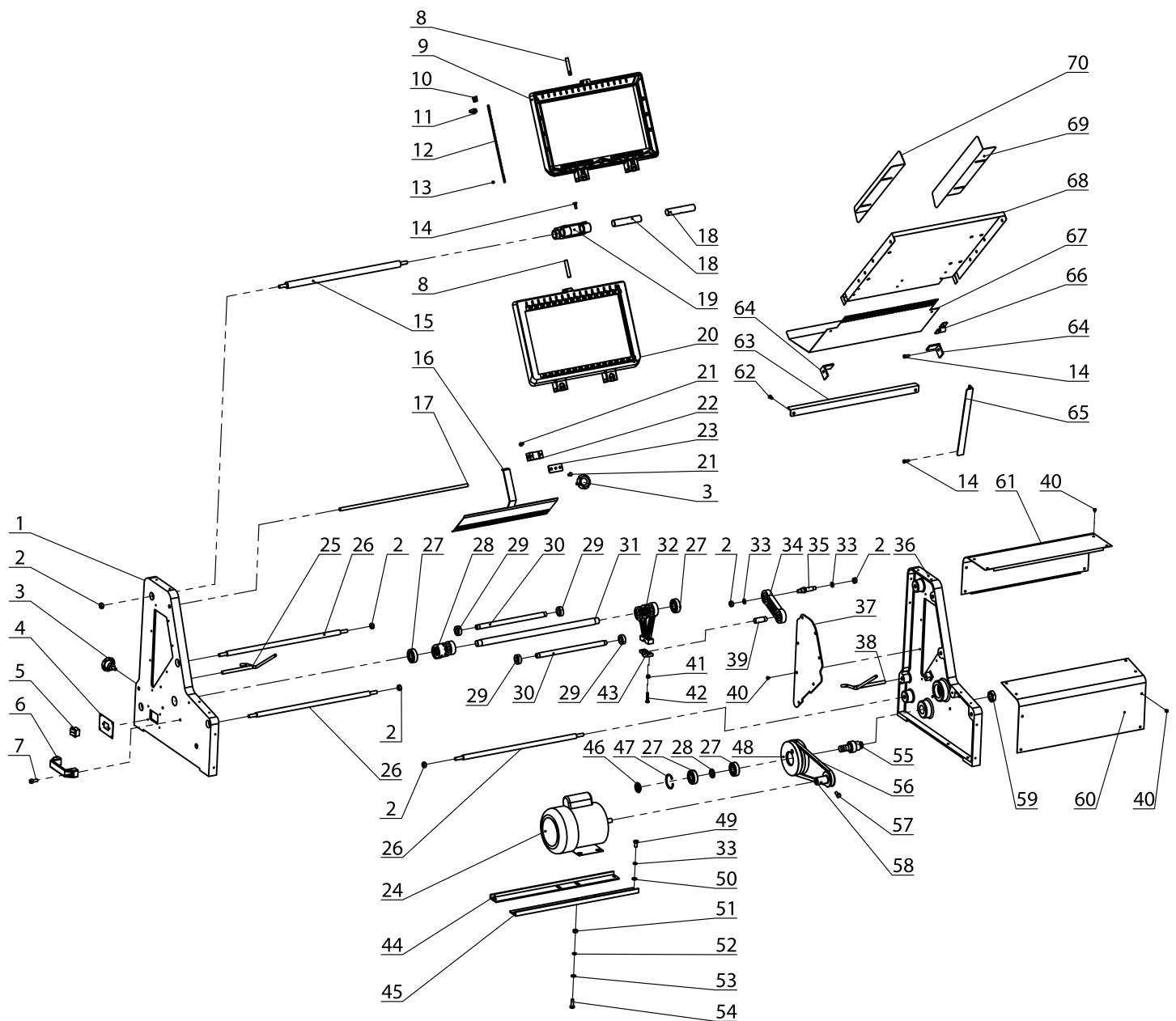
Model SB-CN-0025 44246

Model SB-CN-0013 44247

Model SB-CN-0019 44248

Model SB-CN-0016 44249

Model SB-CN-0011 44250



Parts Breakdown

Model SB-CN-0025 44246

Item No.	Description	Position	Item No.	Description	Position	Item No.	Description	Position
63586	Right Wall for JSL-1	1	63610	Lower Fixed Plate (Right) for JSL-1	25	63634	Screw M8x16 for JSL-1	49
63587	Nut M10 for JSL-1	2	63611	Frame Fixed Rod for JSL-1	26	63635	Washer Ø8 for JSL-1	50
63588	Handle for JSL-1	3	63612	Bearing 6204 for JSL-1	27	63636	Nut M8 for JSL-1	51
63589	Control Panel for JSL-1	4	63613	Plastic Base (Right) for JSL-1	28	63635	Washer Ø8 for JSL-1	52
63590	Power Switch for JSL-1	5	63614	Blade Frame Fixed Ring for JSL-1	29	63635	Washer Ø8 for JSL-1	53
63591	Plastic Handle for JSL-1	6	63615	Blade Frame Fixed Rod for JSL-1	30	63639	Screw M8x25 for JSL-1	54
63592	Screw M8x20 for JSL-1	7	63616	Blade Frame Fixed Rod for JSL-1	31	63640	Pulley Shaft for JSL-1	55
63593	Blade Frame Activity Lever for JSL-1	8	63617	Plastic Base (Left) for JSL-1	32	63641	Belt for JSL-1	56
63594	Upper Blade Frame for JSL-1	9	63618	Washer for JSL-1	33	63634	Screw M8x16 for JSL-1	57
63595	Spring for JSL-1	10	63619	Plastic Bearing Connecting Rod for JSL-1	34	63643	Motor Pulley Shaft for JSL-1	58
63596	Blade Frame Retainer for JSL-1	11	63620	Transmission Fixed Shaft for JSL-1	35	63644	Nut M22 for JSL-1	59
63597	Blade for JSL-1	12	63621	Left Wall for JSL-1	36	63645	Front Cover for JSL-1	60
63598	Blade Dowel for JSL-1	13	63622	Acrylic Board for JSL-1	37	63646	Upper Cover for JSL-1	61
63599	Screw M6x16 for JSL-1	14	63623	Lower Fixed Plate (Left) for JSL-1	38	63606	Screw M6x12 for JSL-1	62
63600	Fixed Rod for JSL-1	15	63624	Sliding Shaft for JSL-1	39	63648	Fixed Angle Iron for JSL-1	63
63601	Platen for JSL-1	16	63625	Screw M5x6 for JSL-1	40	63649	Fixed Angle Iron for JSL-1	64
63602	Fixed Rod for JSL-1	17	63626	Soft Hat M6 for JSL-1	41	63650	Fixed Angle Iron for JSL-1	65
63603	Upper Rod for JSL-1	18	63627	Screw M6x30 for JSL-1	42	63651	Sloping Plate Retainer for JSL-1	66
63604	Permanent Seat for JSL-1	19	63628	Plastic Base Attachment for JSL-1	43	63652	Tray Bar for JSL-1	67
63605	Lower Blade Frame for JSL-1	20	63629	Motor Support (Back) for JSL-1	44	63653	Sloping Plate for JSL-1	68
63606	Screw M6x12 for JSL-1	21	63630	Motor Support (Front) for JSL-1	45	63654	Width Fixing Plate for JSL-1	69
63607	Holder for JSL-1	22	63631	Nut M20 for JSL-1	46	63655	Width Fixing Plate for JSL-1	70
63608	Holder Cover for JSL-1	23	63632	Screw Ø49 for JSL-1	47	20860	Plastic Lock Bolt of Guides for JSL-1	
63609	Motor for JSL-1	24	63633	Pulley for JSL-1	48			

Parts Breakdown

Model SB-CN-0013 44247

Item No.	Description	Position	Item No.	Description	Position	Item No.	Description	Position
63586	Right Wall for JSL-1/2	1	63610	Lower Fixed Plate (Right) for JSL-1/2	25	63634	Screw M8x16 for JSL-1/2	49
63587	Nut M10 for JSL-1/2	2	63611	Frame Fixed Rod for JSL-1/2	26	63635	Washer Ø8 for JSL-1/2	50
63588	Handle for JSL-1/2	3	63612	Bearing 6204 for JSL-1/2	27	63636	Nut M8 for JSL-1/2	51
63589	Control Panel for JSL-1/2	4	63613	Plastic Base (Right) for JSL-1/2	28	63635	Washer Ø8 for JSL-1/2	52
63590	Power Switch for JSL-1/2	5	63614	Blade Frame Fixed Ring for JSL-1/2	29	63635	Washer Ø8 for JSL-1/2	53
63591	Plastic Handle for JSL-1/2	6	63615	Blade Frame Fixed Rod for JSL-1/2	30	63639	Screw M8x25 for JSL-1/2	54
63592	Screw M8x20 for JSL-1/2	7	63616	Blade Frame Fixed Rod for JSL-1/2	31	63640	Pulley Shaft for JSL-1/2	55
63593	Blade Frame Activity Lever for JSL-1/2	8	63617	Plastic Base (Left) for JSL-1/2	32	63641	Belt for JSL-1/2	56
64297	Upper Blade Frame for JSL-1/2	9	63618	Washer for JSL-1/2	33	63634	Screw M8x16 for JSL-1/2	57
63595	Spring for JSL-1/2	10	63619	Plastic Bearing Connecting Rod for JSL-1/2	34	63643	Motor Pulley Shaft for JSL-1/2	58
63596	Blade Frame Retainer for JSL-1/2	11	63620	Transmission Fixed Shaft for JSL-1/2	35	63644	Nut M22 for JSL-1/2	59
63597	Blade for JSL-1/2	12	63621	Left Wall for JSL-1/2	36	63645	Front Cover for JSL-1/2	60
63598	Blade Dowel for JSL-1/2	13	63622	Acrylic Board for JSL-1/2	37	63646	Upper Cover for JSL-1/2	61
63599	Screw M6x16 for JSL-1/2	14	63623	Lower Fixed Plate (Left) for JSL-1/2	38	63606	Screw M6x12 for JSL-1/2	62
63600	Fixed Rod for JSL-1/2	15	63624	Sliding Shaft for JSL-1/2	39	63648	Fixed Angle Iron for JSL-1/2	63
64298	Platen for JSL-1/2	16	63625	Screw M5x6 for JSL-1/2	40	63649	Fixed Angle Iron for JSL-1/2	64
63602	Fixed Rod for JSL-1/2	17	63626	Soft Hat M6 for JSL-1/2	41	63650	Fixed Angle Iron for JSL-1/2	65
63603	Upper Rod for JSL-1/2	18	63627	Screw M6x30 for JSL-1/2	42	63651	Sloping Plate Retainer for JSL-1/2	66
63604	Permanent Seat for JSL-1/2	19	63628	Plastic Base Attachment for JSL-1/2	43	64300	Tray Bar for JSL-1/2	67
64299	Lower Blade Frame for JSL-1/2	20	63629	Motor Support (Back) for JSL-1/2	44	63653	Sloping Plate for JSL-1/2	68
63606	Screw M6x12 for JSL-1/2	21	63630	Motor Support (Front) for JSL-1/2	45	63654	Width Fixing Plate for JSL-1/2	69
63607	Holder for JSL-1/2	22	63631	Nut M20 for JSL-1/2	46	63655	Width Fixing Plate for JSL-1/2	70
63608	Holder Cover for JSL-1/2	23	63632	Screw Ø49 for JSL-1/2	47	20860	Plastic Lock Bolt of Guides for JSL-1/2	
63609	Motor for JSL-1/2	24	63633	Pulley for JSL-1/2	48			

Parts Breakdown

Model SB-CN-0019 44248

Item No.	Description	Position	Item No.	Description	Position	Item No.	Description	Position
63586	Right Wall for JSL-3/4	1	63610	Lower Fixed Plate (Right) for JSL-3/4	25	63634	Screw M8x16 for JSL-3/4	49
63587	Nut M10 for JSL-3/4	2	63611	Frame Fixed Rod for JSL-3/4	26	63635	Washer Ø8 for JSL-3/4	50
63588	Handle for JSL-3/4	3	63612	Bearing 6204 for JSL-3/4	27	63636	Nut M8 for JSL-3/4	51
63589	Control Panel for JSL-3/4	4	63613	Plastic Base (Right) for JSL-3/4	28	63635	Washer Ø8 for JSL-3/4	52
63590	Power Switch for JSL-3/4	5	63614	Blade Frame Fixed Ring for JSL-3/4	29	63635	Washer Ø8 for JSL-3/4	53
63591	Plastic Handle for JSL-3/4	6	63615	Blade Frame Fixed Rod for JSL-3/4	30	63639	Screw M8x25 for JSL-3/4	54
63592	Screw M8x20 for JSL-3/4	7	63616	Blade Frame Fixed Rod for JSL-3/4	31	63640	Pulley Shaft for JSL-3/4	55
63593	Blade Frame Activity Lever for JSL-3/4	8	63617	Plastic Base (Left) for JSL-3/4	32	63641	Belt for JSL-3/4	56
64301	Upper Blade Frame for JSL-3/4	9	63618	Washer for JSL-3/4	33	63634	Screw M8x16 for JSL-3/4	57
63595	Spring for JSL-3/4	10	63619	Plastic Bearing Connecting Rod for JSL-3/4	34	63643	Motor Pulley Shaft for JSL-3/4	58
63596	Blade Frame Retainer for JSL-3/4	11	63620	Transmission Fixed Shaft for JSL-3/4	35	63644	Nut M22 for JSL-3/4	59
63597	Blade for JSL-3/4	12	63621	Left Wall for JSL-3/4	36	63645	Front Cover for JSL-3/4	60
63598	Blade Dowel for JSL-3/4	13	63622	Acrylic Board for JSL-3/4	37	63646	Upper Cover for JSL-3/4	61
63599	Screw M6x16 for JSL-3/4	14	63623	Lower Fixed Plate (Left) for JSL-3/4	38	63606	Screw M6x12 for JSL-3/4	62
63600	Fixed Rod for JSL-3/4	15	63624	Sliding Shaft for JSL-3/4	39	63648	Fixed Angle Iron for JSL-3/4	63
64302	Platen for JSL-3/4	16	63625	Screw M5x6 for JSL-3/4	40	63649	Fixed Angle Iron for JSL-3/4	64
63602	Fixed Rod for JSL-3/4	17	63626	Soft Hat M6 for JSL-3/4	41	63650	Fixed Angle Iron for JSL-3/4	65
63603	Upper Rod for JSL-3/4	18	63627	Screw M6x30 for JSL-3/4	42	63651	Sloping Plate Retainer for JSL-3/4	66
63604	Permanent Seat for JSL-3/4	19	63628	Plastic Base Attachment for JSL-3/4	43	64304	Tray Bar for JSL-3/4	67
64303	Lower Blade Frame for JSL-3/4	20	63629	Motor Support (Back) for JSL-3/4	44	63653	Sloping Plate for JSL-3/4	68
63606	Screw M6x12 for JSL-3/4	21	63630	Motor Support (Front) for JSL-3/4	45	63654	Width Fixing Plate for JSL-3/4	69
63607	Holder for JSL-3/4	22	63631	Nut M20 for JSL-3/4	46	63655	Width Fixing Plate for JSL-3/4	70
63608	Holder Cover for JSL-3/4	23	63632	Screw Ø49 for JSL-3/4	47	20860	Plastic Lock Bolt of Guides for JSL-3/4	
63609	Motor for JSL-3/4	24	63633	Pulley for JSL-3/4	48			

Parts Breakdown

Model SB-CN-0016 44249

Item No.	Description	Position	Item No.	Description	Position	Item No.	Description	Position
63586	Right Wall for JSL-5/8	1	63610	Lower Fixed Plate (Right) for JSL-5/8	25	63634	Screw M8x16 for JSL-5/8	49
63587	Nut M10 for JSL-5/8	2	63611	Frame Fixed Rod for JSL-5/8	26	63635	Washer Ø8 for JSL-5/8	50
63588	Handle for JSL-5/8	3	63612	Bearing 6204 for JSL-5/8	27	63636	Nut M8 for JSL-5/8	51
63589	Control Panel for JSL-5/8	4	63613	Plastic Base (Right) for JSL-5/8	28	63635	Washer Ø8 for JSL-5/8	52
63590	Power Switch for JSL-5/8	5	63614	Blade Frame Fixed Ring for JSL-5/8	29	63635	Washer Ø8 for JSL-5/8	53
63591	Plastic Handle for JSL-5/8	6	63615	Blade Frame Fixed Rod for JSL-5/8	30	63639	Screw M8x25 for JSL-5/8	54
63592	Screw M8x20 for JSL-5/8	7	63616	Blade Frame Fixed Rod for JSL-5/8	31	63640	Pulley Shaft for JSL-5/8	55
63593	Blade Frame Activity Lever for JSL-5/8	8	63617	Plastic Base (Left) for JSL-5/8	32	63641	Belt for JSL-5/8	56
64305	Upper Blade Frame for JSL-5/8	9	63618	Washer for JSL-5/8	33	63634	Screw M8x16 for JSL-5/8	57
63595	Spring for JSL-5/8	10	63619	Plastic Bearing Connecting Rod for JSL-5/8	34	63643	Motor Pulley Shaft for JSL-5/8	58
63596	Blade Frame Retainer for JSL-5/8	11	63620	Transmission Fixed Shaft for JSL-5/8	35	63644	Nut M22 for JSL-5/8	59
63597	Blade for JSL-5/8	12	63621	Left Wall for JSL-5/8	36	63645	Front Cover for JSL-5/8	60
63598	Blade Dowel for JSL-5/8	13	63622	Acrylic Board for JSL-5/8	37	63646	Upper Cover for JSL-5/8	61
63599	Screw M6x16 for JSL-5/8	14	63623	Lower Fixed Plate (Left) for JSL-5/8	38	63606	Screw M6x12 for JSL-5/8	62
63600	Fixed Rod for JSL-5/8	15	63624	Sliding Shaft for JSL-5/8	39	63648	Fixed Angle Iron for JSL-5/8	63
64306	Platen for JSL-5/8	16	63625	Screw M5x6 for JSL-5/8	40	63649	Fixed Angle Iron for JSL-5/8	64
63602	Fixed Rod for JSL-5/8	17	63626	Soft Hat M6 for JSL-5/8	41	63650	Fixed Angle Iron for JSL-5/8	65
63603	Upper Rod for JSL-5/8	18	63627	Screw M6x30 for JSL-5/8	42	63651	Sloping Plate Retainer for JSL-5/8	66
63604	Permanent Seat for JSL-5/8	19	63628	Plastic Base Attachment for JSL-5/8	43	64308	Tray Bar for JSL-5/8	67
64307	Lower Blade Frame for JSL-5/8	20	63629	Motor Support (Back) for JSL-5/8	44	63653	Sloping Plate for JSL-5/8	68
63606	Screw M6x12 for JSL-5/8	21	63630	Motor Support (Front) for JSL-5/8	45	63654	Width Fixing Plate for JSL-5/8	69
63607	Holder for JSL-5/8	22	63631	Nut M20 for JSL-5/8	46	63655	Width Fixing Plate for JSL-5/8	70
63608	Holder Cover for JSL-5/8	23	63632	Screw Ø49 for JSL-5/8	47	20860	Plastic Lock Bolt of Guides for JSL-5/8	
63609	Motor for JSL-5/8	24	63633	Pulley for JSL-5/8	48			

Parts Breakdown

Model SB-CN-0011 44250

Item No.	Description	Position	Item No.	Description	Position	Item No.	Description	Position
63586	Right Wall for JSL-7/16	1	63610	Lower Fixed Plate (Right) for JSL-7/16	25	63634	Screw M8x16 for JSL-7/16	49
63587	Nut M10 for JSL-7/16	2	63611	Frame Fixed Rod for JSL-7/16	26	63635	Washer Ø8 for JSL-7/16	50
63588	Handle for JSL-7/16	3	63612	Bearing 6204 for JSL-7/16	27	63636	Nut M8 for JSL-7/16	51
63589	Control Panel for JSL-7/16	4	63613	Plastic Base (Right) for JSL-7/16	28	63635	Washer Ø8 for JSL-7/16	52
63590	Power Switch for JSL-7/16	5	63614	Blade Frame Fixed Ring for JSL-7/16	29	63635	Washer Ø8 for JSL-7/16	53
63591	Plastic Handle for JSL-7/16	6	63615	Blade Frame Fixed Rod for JSL-7/16	30	63639	Screw M8x25 for JSL-7/16	54
63592	Screw M8x20 for JSL-7/16	7	63616	Blade Frame Fixed Rod for JSL-7/16	31	63640	Pulley Shaft for JSL-7/16	55
63593	Blade Frame Activity Lever for JSL-7/16	8	63617	Plastic Base (Left) for JSL-7/16	32	63641	Belt for JSL-7/16	56
64309	Upper Blade Frame for JSL-7/16	9	63618	Washer for JSL-7/16	33	63634	Screw M8x16 for JSL-7/16	57
63595	Spring for JSL-7/16	10	63619	Plastic Bearing Connecting Rod for JSL-7/16	34	63643	Motor Pulley Shaft for JSL-7/16	58
63596	Blade Frame Retainer for JSL-7/16	11	63620	Transmission Fixed Shaft for JSL-7/16	35	63644	Nut M22 for JSL-7/16	59
63597	Blade for JSL-7/16	12	63621	Left Wall for JSL-7/16	36	63645	Front Cover for JSL-7/16	60
63598	Blade Dowel for JSL-7/16	13	63622	Acrylic Board for JSL-7/16	37	63646	Upper Cover for JSL-7/16	61
63599	Screw M6x16 for JSL-7/16	14	63623	Lower Fixed Plate (Left) for JSL-7/16	38	63606	Screw M6x12 for JSL-7/16	62
63600	Fixed Rod for JSL-7/16	15	63624	Sliding Shaft for JSL-7/16	39	63648	Fixed Angle Iron for JSL-7/16	63
64310	Platen for JSL-7/16	16	63625	Screw M5x6 for JSL-7/16	40	63649	Fixed Angle Iron for JSL-7/16	64
63602	Fixed Rod for JSL-7/16	17	63626	Soft Hat M6 for JSL-7/16	41	63650	Fixed Angle Iron for JSL-7/16	65
63603	Upper Rod for JSL-7/16	18	63627	Screw M6x30 for JSL-7/16	42	63651	Sloping Plate Retainer for JSL-7/16	66
63604	Permanent Seat for JSL-7/16	19	63628	Plastic Base Attachment for JSL-7/16	43	64312	Tray Bar for JSL-7/16	67
64311	Lower Blade Frame for JSL-7/16	20	63629	Motor Support (Back) for JSL-7/16	44	63653	Sloping Plate for JSL-7/16	68
63606	Screw M6x12 for JSL-7/16	21	63630	Motor Support (Front) for JSL-7/16	45	63654	Width Fixing Plate for JSL-7/16	69
63607	Holder for JSL-7/16	22	63631	Nut M20 for JSL-7/16	46	63655	Width Fixing Plate for JSL-7/16	70
63608	Holder Cover for JSL-7/16	23	63632	Screw Ø49 for JSL-7/16	47	20860	Plastic Lock Bolt of Guides for JSL-7/16	
63609	Motor for JSL-7/16	24	63633	Pulley for JSL-7/16	48			

Electrical Schematics

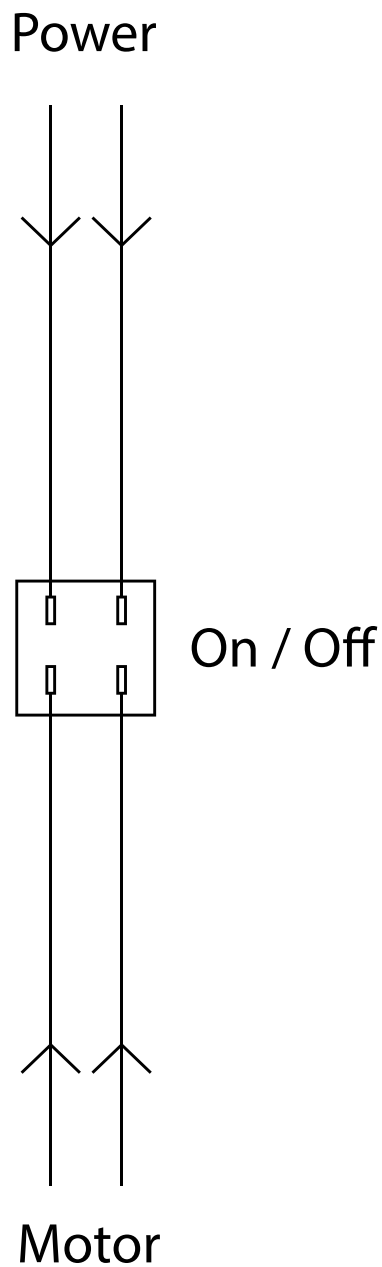
Model SB-CN-0025 44246

Model SB-CN-0013 44247

Model SB-CN-0019 44248

Model SB-CN-0016 44249

Model SB-CN-0011 44250





Warranty Registration

Thank you for purchasing an Omcan product. To register your warranty for this product, complete the information below, tear off the card at the perforation and then send to the address specified below. You can also register online by visiting:

Merci d'avoir acheté un produit Omcan. Pour enregistrer votre garantie pour ce produit, complétez les informations ci-dessous, détachez la carte au niveau de la perforation, puis l'envoyer à l'adresse spécifiée ci-dessous. Vous pouvez également vous inscrire en ligne en visitant:

Gracias por comprar un producto Omcan usted. Para registrar su garantía para este producto, complete la información a continuación, cortar la tarjeta en la perforación y luego enviarlo a la dirección indicada a continuación. También puede registrarse en línea en:

www.omcan.com/warrantyregistration.html

For mailing in Canada

Pour postale au Canada

Por correo en Canadá

OMCAN

PRODUCT WARRANTY REGISTRATION

3115 Pepper Mill Court,

Mississauga, Ontario

Canada, L5L 4X5

For mailing in the US

Pour diffusion aux États-Unis

Por correo en los EE.UU.

OMCAN

PRODUCT WARRANTY REGISTRATION

4450 Witmer Industrial Estates, Unit 4,

Niagara Falls, New York

USA, 14305

or email to: service@omcan.com



Purchaser's Information

Name: _____

Address: _____

City: _____ Province or State: _____ Postal or Zip: _____

Country: _____

Dealer from which Purchased: _____

Dealer City: _____ Dealer Province or State: _____

Invoice: _____

Model Name: _____ Model Number: _____

Machine Description: _____

Date of Purchase (MM/DD/YYYY): _____

Would you like to extend the warranty? Yes No

Company Name: _____

Telephone: _____

Email Address: _____

Type of Company:

Restaurant Bakery Deli

Butcher Supermarket Caterer

Institution (*specify*): _____

Other (*specify*): _____

Serial Number: _____

Date of Installation (MM/DD/YYYY): _____

Thank you for choosing Omcan | Merci d'avoir choisi Omcan | Gracias por elegir Omcan



Since 1951 Omcan has grown to become a leading distributor of equipment and supplies to the North American food service industry. Our success over these many years can be attributed to our commitment to strengthen and develop new and existing relationships with our valued customers and manufacturers. Today with partners in North America, Europe, Asia and South America, we continually work to improve and grow the company. We strive to offer customers exceptional value through our qualified local sales and service representatives who provide convenient access to over 3, 500 globally sourced products.

Depuis 1951 Omcan a grandi pour devenir un des “leaders” de la distribution des équipements et matériel pour l’industrie des services alimentaires en Amérique du Nord. Notre succès au cours de ces nombreuses années peut être attribué à notre engagement à renforcer et à développer de nouvelles et existantes relations avec nos clients et les fabricants de valeur. Aujourd’hui avec des partenaires en Amérique du Nord, Europe, Asie et Amérique du Sud, nous travaillons continuellement à améliorer et développer l’entreprise. Nous nous efforçons d’offrir à nos clients une valeur exceptionnelle grâce à nos ventes locales qualifiées et des représentants de service qui offrent un accès facile à plus de 3500 produits provenant du monde entier.

Desde 1951 Omcan ha crecido hasta convertirse en un líder en la distribución de equipos y suministros de alimentos en América del Norte industria de servicios. Nuestro éxito en estos años se puede atribuir a nuestro compromiso de fortalecer y desarrollar nuevas relaciones existentes con nuestros valiosos clientes y fabricantes. Hoy con socios de América del Norte, Europa, Asia y América del Sur, que trabajan continuamente para mejorar y crecer la empresa. Nos esforzamos por ofrecer a nuestros clientes valor excepcional a través de nuestro local de ventas y representantes de los servicios que proporcionan un fácil acceso a más de 3, 500 productos con origen a nivel mundial.

