



OMEGA PRODUCTS, INC.  
6291 LYSTER LANE  
HARRISBURG, PA 17111-4523 U.S.A.  
PHONE: 1.800.633.3401  
FAX: 717.561.1298



# INSTRUCTION MANUAL

Eat well, drink well and live well with Omega

[www.omegajuicers.com](http://www.omegajuicers.com)

## Drink Mixers M1000/M3000 SERIES

Product Contents



English, January 2014

PLEASE READ THESE INSTRUCTIONS CAREFULLY BEFORE USE



## CONTENTS

Important Safeguards _____	2
Specifications _____	3
Parts and Features _____	4
Operating & Cleaning Procedures _____	5-8
Wall Mounting _____	9-10
M1000/M1220 Exploded View _____	11
M1000/M1220 Parts List _____	12
M3000/M3220 Exploded View _____	13
M3000/M3220 Parts List _____	14



## **IMPORTANT SAFEGUARDS**

---

We have provided many important safety messages in this manual and on your appliance. Always read and obey all safety messages.

**WARNING** – When using electrical appliances, basic safety precautions should be followed to reduce the risk of personal injury, including the following:

- Read all instructions before using mixer.
- Plug into a grounded 3 prong outlet.
- Do not remove ground plug.
- Do not use an adapter.
- Do not use an extension cord.
- Disconnect power before cleaning or servicing, and before installing or removing agitator.
- Do not spray or submerge mixer.
- Always use metal container when mixing.
- Do not put spoon or other utensils in metal container when mixing.
- Do not allow agitator to hit container sides when mixing.
- Inspect mixer and agitator daily.
- Replace agitators every 90 days.
- Do not operate any appliance with a damaged cord or plug, or after the appliance malfunctions or is damaged in any manner.

## **SAVE THESE INSTRUCTIONS**

---

## SPECIFICATIONS

---

### **M1000**

Rated voltage: AC 120V 50/60HZ  
Rated power: 162W  
Cord length: 5 foot  
Gross weight: 16.53 lb  
Box size: 9.06"x9.06"x22.05"

### **M1220**

Rated voltage: AC 220V 50/60HZ  
Rated power: 162W  
Cord length: 5 foot  
Gross weight: 16.53 lb  
Box size: 9.06"x9.06"x22.05"

### **M3000**

Rated voltage: AC 120V 50/60HZ  
Rated power: 485W  
Cord length: 5 foot  
Gross weight: 36.6 lb  
Box size: 13.5"x11.2"x23.8"

### **M3220**

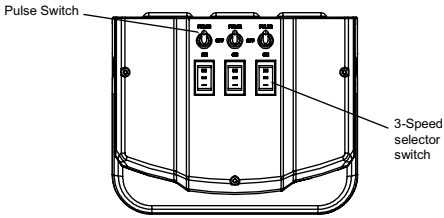
Rated voltage: AC 220V 50/60HZ  
Rated power: 485W  
Cord length: 5 foot  
Gross weight: 36.6 lb  
Box size: 13.5"x11.2"x23.8"

## PARTS AND FEATURES

The parts and features of your mixer are shown on this page. Become familiar with all the parts and features before using the mixer.

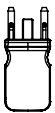
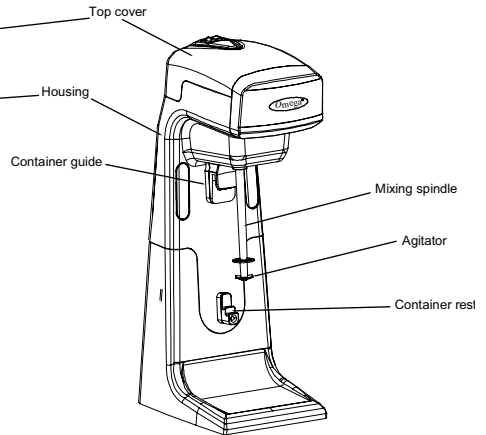
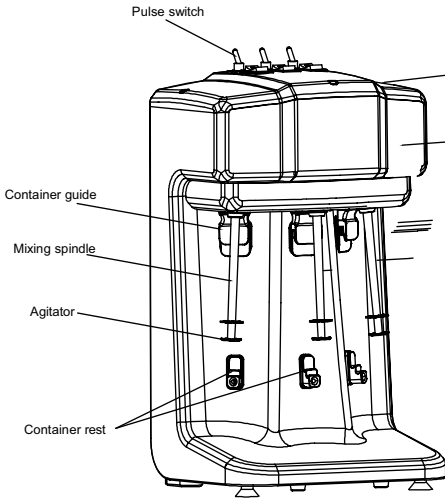
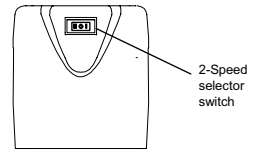
### M3000/ M3220

TOP VIEW OF CONTROLS



### M1000/ M1220

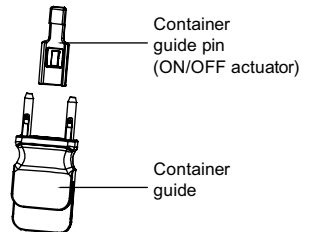
TOP VIEW OF CONTROLS



Housing plug



Agitator



## OPERATING AND CLEANING PROCEDURE

---

### Operating procedure

Connection to main power supply.

- The electrical safety of this drink mixing machine can only be achieved if the machine is properly connected to an appropriate grounded receptacle that is in compliance with current national safety standards. Therefore, the manufacturer cannot be held responsible for damage and/or injury caused by failure to connect the unit to an appropriate power source.
- For a safe and correct installation, connect the unit to a dedicated outlet.
- Do not alter the cord or plug in any way.
- The entire length of the power supply cord must not, in any way, be compressed (bent or bunched together) nor may extension cords be used.

**WARNING:** THIS UNIT MUST BE PROPERLY ELECTRICALLY GROUNDED TO AVOID POSSIBLE FATAL ELECTRICAL SHOCK OR SERIOUS INJURY TO THE OPERATOR. THE POWER CORD IS PROVIDED WITH A THREE PRONG GROUNDED PLUG. IF A THREE-HOLE GROUNDED ELECTRICAL OUTLET IS NOT AVAILABLE, USE AN APPROVED METHOD TO GROUND THE UNIT. DO NOT USE EXTENSION CORDS WITH THIS UNIT. DO NOT “GANG” TOGETHER WITH OTHER ELECTRICAL DEVICES ON THE SAME OUTLET.



FIGURE A

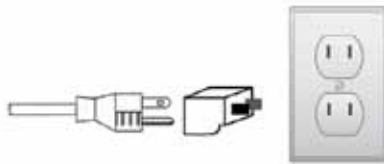


FIGURE B

## OPERATING AND CLEANING PROCEDURE

---

### Mixing a drink

- Plug the drink mixer into a grounded outlet.
- Place the ingredients into the container supplied. The basic milkshake recipe is:
  - 3 No. 24 scoops of ice cream.
  - 4 ounces of very cold milk.
  - 1-1/2 ounces of syrup.

### M1000

- Select the required speed using the 2-speed selector switch.
- Position the container in the container guide and move the container upwards to activate the mixer. Set the container down onto the upper level of the container rest.
- When the drink is completely mixed, lift the container up off the container rest and pull down from the container guide. The mixer will now turn off. The container can now be removed or left in the lower container guide position.
- Please note that the mixer will not operate without the container being in the upper position on the container rest.

### M3000

- Select the desired speed using the 3-speed selector switch. Switch the toggle switch to the ON position.
- Position the container in the container guide and move the container upwards to activate the mixer. Set the container down onto the upper part of the container rest. If the pulse operation is required, use the toggle switch to perform this function.
- When the drink is completely mixed, lift the container up off the container rest and pull down from the container guide. The unit will now turn off. The container can now be removed or left in the lower container guide position.
- Please note that the mixer will not operate without the container being in the upper position on the container rest.

## OPERATING AND CLEANING PROCEDURE

---

**NOTE:** Inspect agitator(s) daily and replace every 90 days.

### **⚠ WARNING**

**Cut Hazard**



Always use the metal container when mixing.  
Do not put spoon or other utensils in metal container when mixing.  
Failure to follow these instructions can result in cuts.

### **Using the container rest**

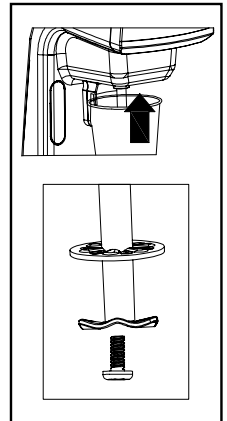
- To turn the unit off, rest the container on the lower or standby container rest position.

### **Replacing the agitator**

The drink mixer ships with a solid agitator installed on each shaft.

- Unplug the mixer.
- If the shaft is to be removed, normally a quick turn counter clockwise will loosen the shaft. If not, remove the top cover and use a flat head screwdriver inserted into the top of the motor shaft to prevent the motor from turning.
- To remove the agitator, loosen the bolt by turning it counter clockwise with a 5/16" wrench.
- To install the new agitator, turn the bolt into the shaft and tighten.

To prevent damage to the agitator, do not use pliers to grip the agitator blades while tightening or loosening.

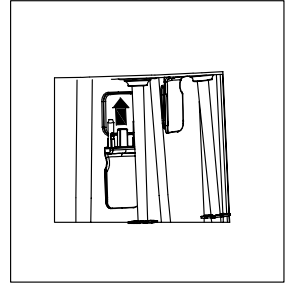
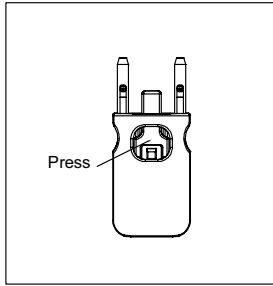
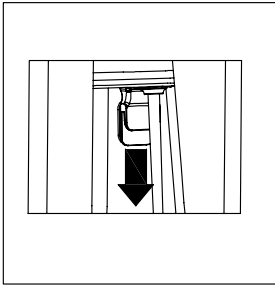


## OPERATING AND CLEANING PROCEDURE

---

### Removing/installing the container guide pin & housing plug

- Unplug the drink mixer.
- Hold the container guide by the indents on each side and pull straight down.
- Press the retainer clip and slide the guide pin out of the guide.
- Reverse the above steps to reinstall making note of the correct orientation.



### Care and cleaning

- Place a drop of detergent and 1 cup of water into the container.
- Position the container into the container guide and mix on low speed for 5 seconds.
- Empty and refill with clean water and repeat for 5 seconds to rinse.
- Remove the container guide and wash with hot soapy water, then rinse.
- Clean the housing with a damp soapy cloth.

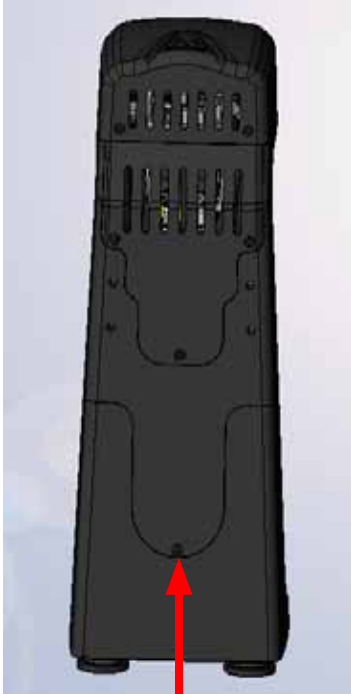
**NOTE:** Do not spray or submerge the mixer. Resulting water damage will not be covered under warranty.

## WALL MOUNTING

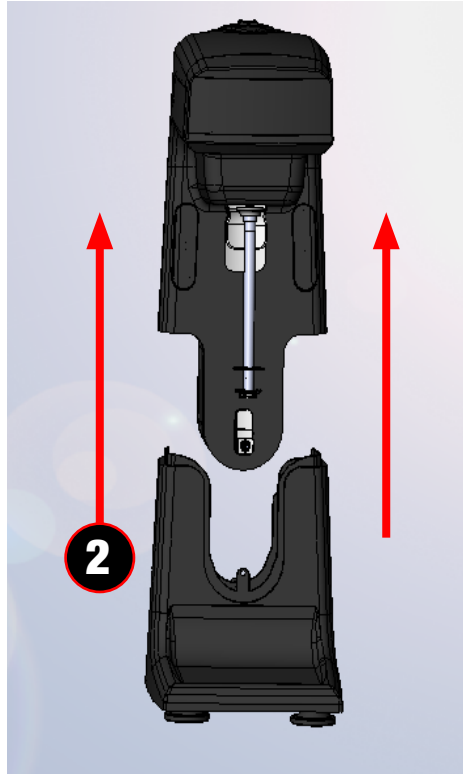
---

Step:

1. Remove M4X12 screws on back of the machine.
2. Separate main housing and base.
3. Remove two black magnet covers.
4. Fixed the main housing on the wall by using the four screws and wall anchors supplied.
5. Assemble two black magnet covers.



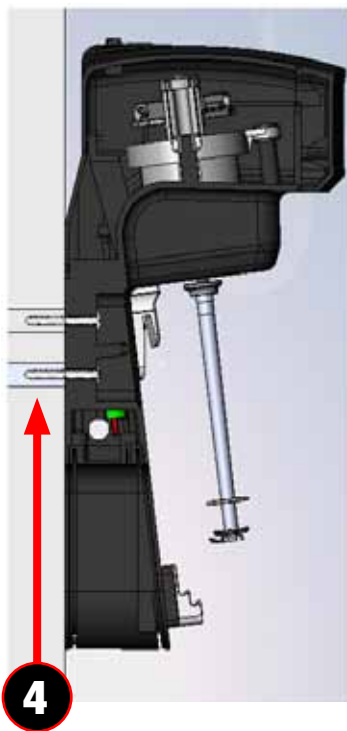
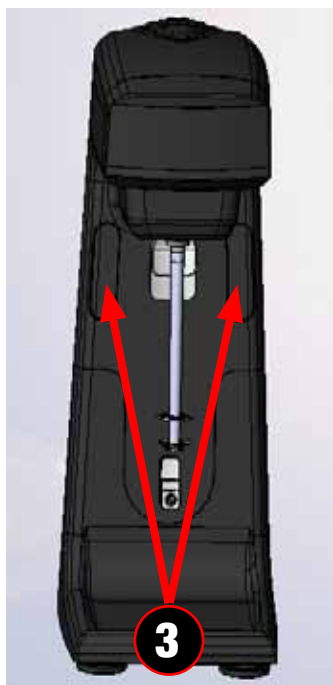
1



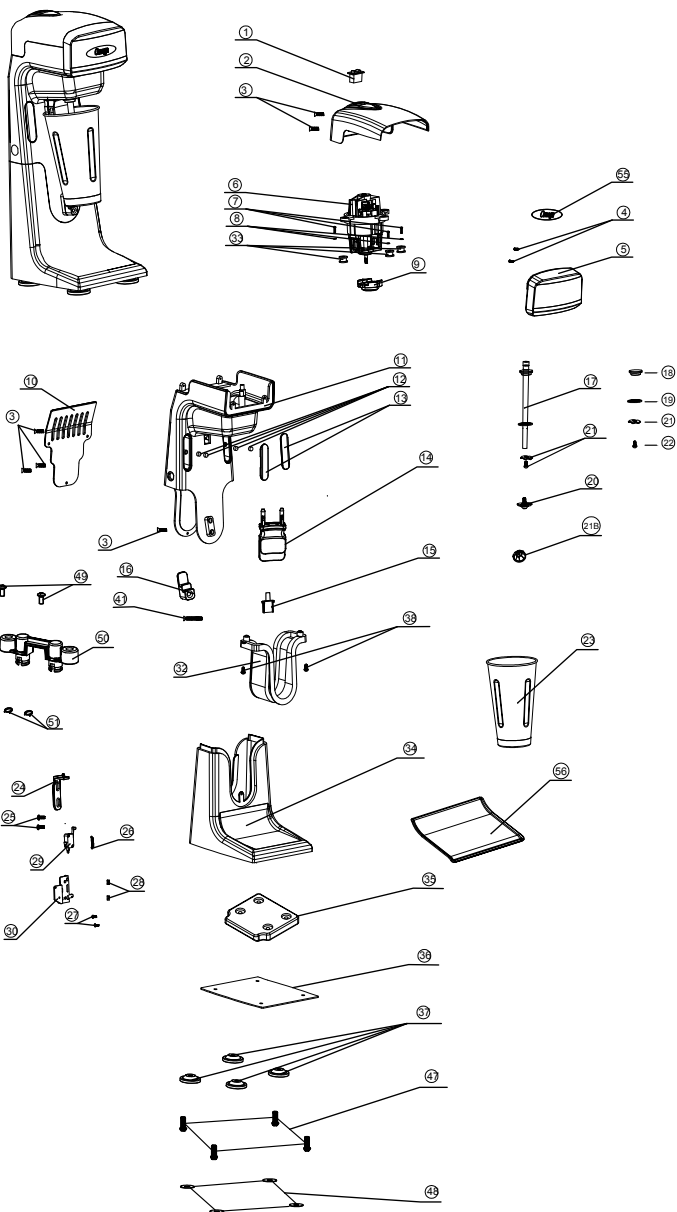
2

## WALL MOUNTING

---



## M1000/M1220 EXPLODED VIEW

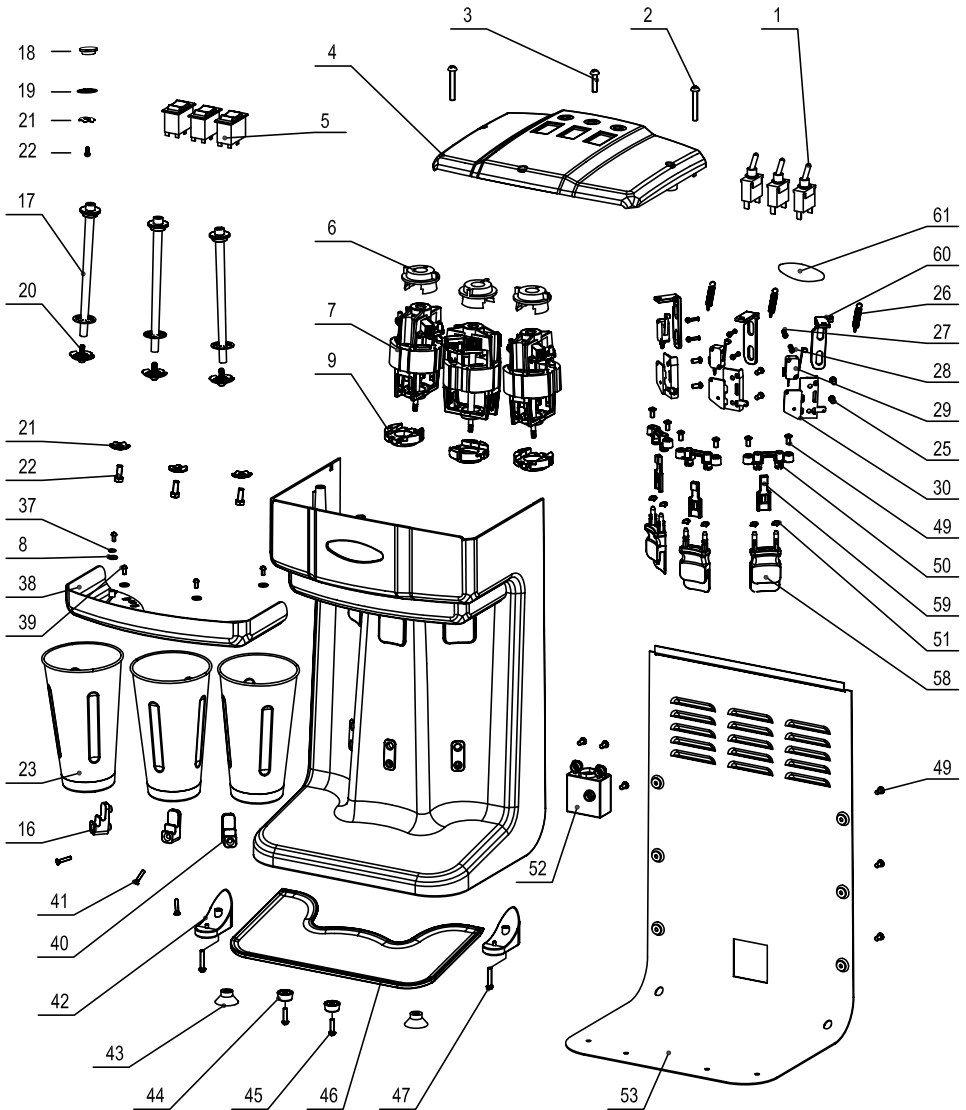


# Omega®

No.	Part #	Description	Qty
1	PM1-SWITCH	Power Switch	1
2	PM1-2B	Top Cover Black	1
3	PM1-3	Screw#1	6
4	PM1-4	Screw#2	2
5	PM1-5C	Front Cover Chrome	1
6	PM1-MOTOR-120	Motor 1/2HP 120V	1
	PM1-MOTOR-240	Motor 1/2HP 240V 50/60HZ	1
7	PM1-3	Screw#1	3
8	PM1-8	Spring Washer	1
9	PM1-9	Lower motor pad	1
10	PM1-10B	Back Panel black	1
11	PM1-11B	Upper housing Black	1
12	PM1-12	Magnet	4
13	PM1-13B	Magnet cover black	2
14	PM1-14	Upper cup holder	1
15	PM1-15	Microswitch activator	1
16	PM1-16	Lower cup holder	1
17	PM1-SHAFT	Stir Shaft with parts 18,19,22	1
20	PM1-20	Agitator standard with locking bolt	1
21	PM1-21	Agitator hinged	1
21B	PM1-21B	Agitator high power	1
22	PM1-22	Screw#3	1
23	PM1-CUP	Cup	1
	PM1-CUP-O	Cup with lazer engraved Omega	1
24	PM1-24	Switch ejector	1
25	PM1-25	Screw#4	4
26	PM1-26	Spring	1
27	PM1-27	Screw#5	2
28	PM1-28	Screw#6	2
29	PM1-29	Microswitch	1
30	PM1-30	Microswitch bracket	1
32	PM1-32	Inside cover	1
33	PM1-33	Upper motor supports	3
34	PM1-34B	Lower housing	1
35	PM1-35	Base support	1
36	PM1-36	Bottom cover	1
37	PM1-37	Feet	4
38	PM1-38	Screw#7	2
41	PM1-41	Screw#8	1
47	PM1-47	Screw#9	4
48	PM1-48	Washer	4
49	PM1-25	Screw#4	5
50	PM1-50	Upper cup holder retainer	1
51	PM1-51	Retainer spring	2
56	PM1-56	Drip tray	1

One (1) Year Parts and Labor

## M3000/M3220 EXPLODED VIEW





No.	Part #	Description	Qty
1	PM3-SWICHT	Toggle switch	3
2	PM3-2	Screw#10	2
3	PM3-3	Screw#11	1
4	PM3-4C	Top cover	1
5	PM3-SWICHR	Rocker switch	3
6	PM3-6	Upper motor support	1
7	PM3-MOTOR-120	Motor 1/2HP 120V	3
	PM3-MOTOR-240	Motor 1/2HP 240V 50/60HZ	3
8	PM3-8	Spring Washer	4
9	PM1-9	Lower motor support	3
16	PM1-16	Lower cup holder	3
17	PM1-SHAFT	Stir Shaft with parts 18,19,22	3
20	PM1-20	Agitator standard with locking bolt	3
21	PM1-21	Agitator hinged	3
21B	PM1-21B	Agitator high power	3
22	PM1-22	Screw#3	3
23	PM1-CUP	Cup s/steel	3
0	PM1-CUP-O	Cup s/steel with lazer engraved Omega	3
25	PM1-25	Screw#4	4
26	PM1-26	Spring	1
27	PM1-27	Screw#5	2
28	PM1-28	Screw#6	3
29	PM1-29	Microswitch	3
30	PM1-30	Microswitch bracket	1
37	PM3-37	Washer	4
38	PM3-38C	Front cover	1
40	PM3-40B	Housing complete	1
41	PM1-41	Screw#8	3
42	PM3-42	Foot rear	2
43	PM3-43	Front suction cup	2
44	PM3-44	Foot Front	2
45	PM3-45	Screw#12	1
46	PM3-46	Drip tray	1
47	PM3-3	Screw#11	4
49	PM1-25	Screw#4	5
50	PM1-50	Upper cup holder retainer	1
51	PM1-51	Retainer Spring	1
52	PM3-52	Power cord cover	1
53	PM3-53B	Back cover	1
54	PM1-22	Screw#3	3
57	PM1-25	Screw#4	9
58	PM3-58	Upper cup holder	3
59	PM3-59	Microswitch activator	3
60	PM1-24	Switch ejector	3

One (1) Year Parts and Labor