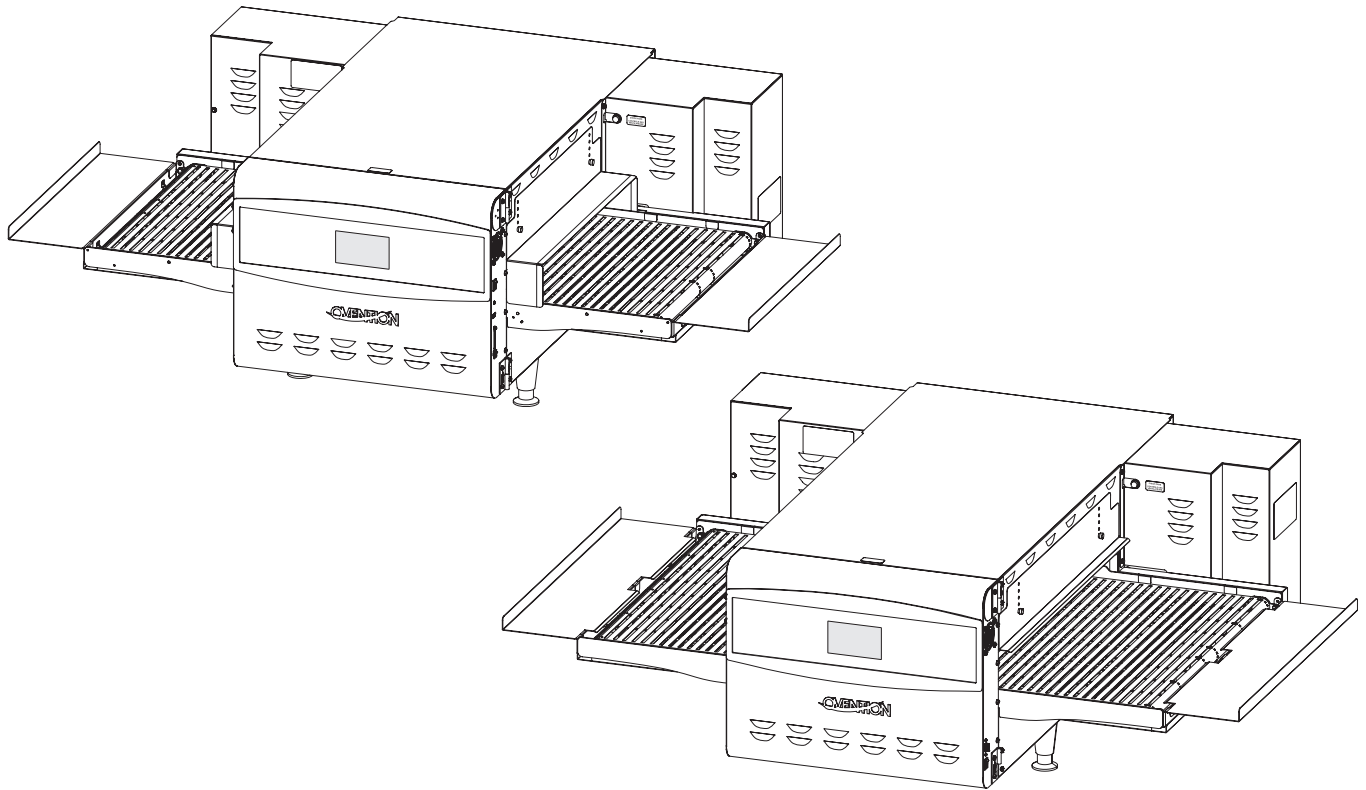




# Conveyor Oven

## Models: C1400, C2000, C2600



# Replacement Parts List

### IMPORTANT NOTE:

Locate the Specification Label on unit to determine exact Model Name and electrical specifications. This information is needed to identify the correct replacement parts. See exploded view illustration(s) for Specification Label location.



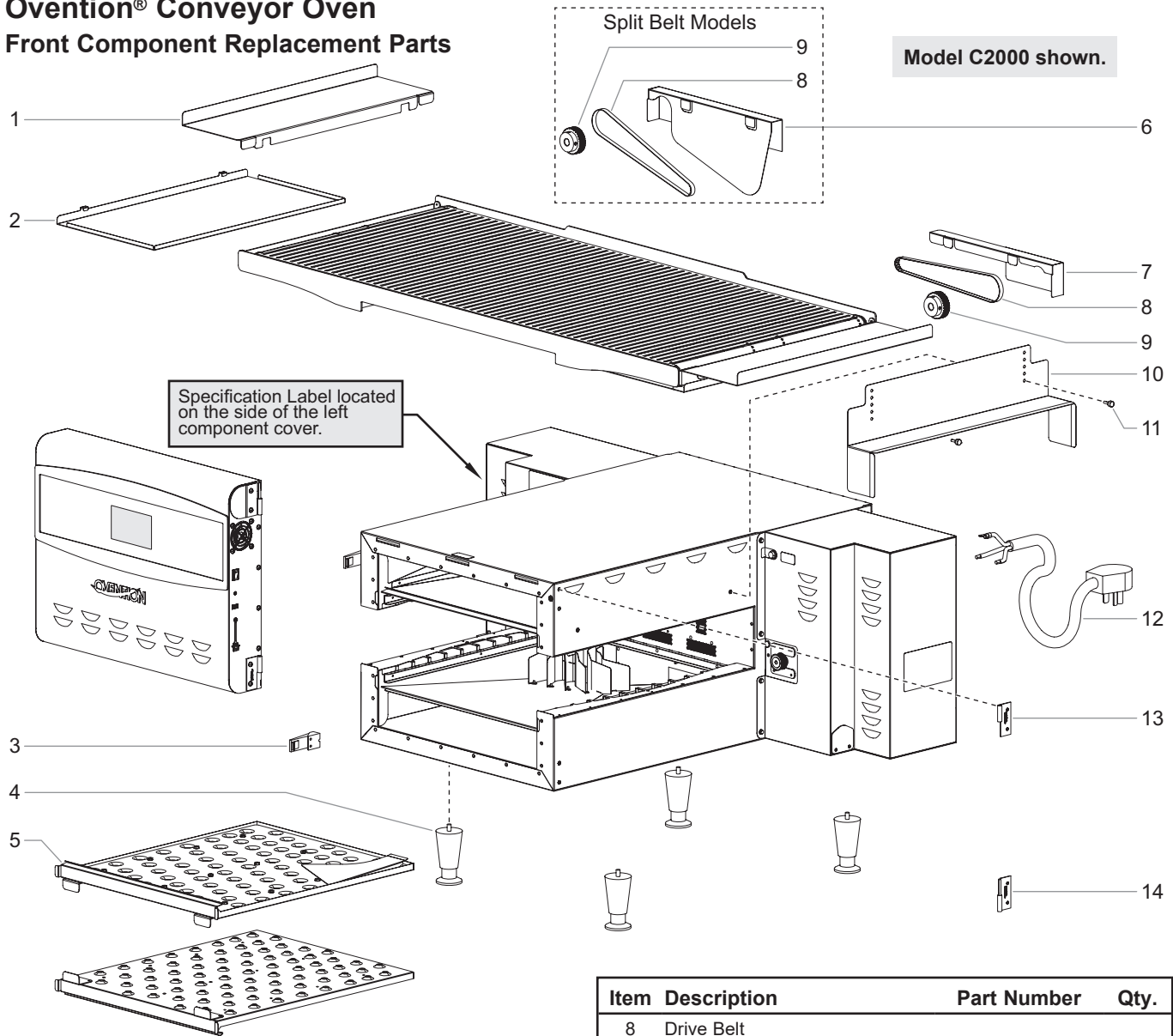
Use of replacement parts other than those supplied by Ovention may result in damage to unit or injury to personnel and will void all warranties.



Need help?  
Call our toll-free  
Ovention Hotline  
855-298-OVEN(6836)

# Ovention® Conveyor Oven

## Front Component Replacement Parts

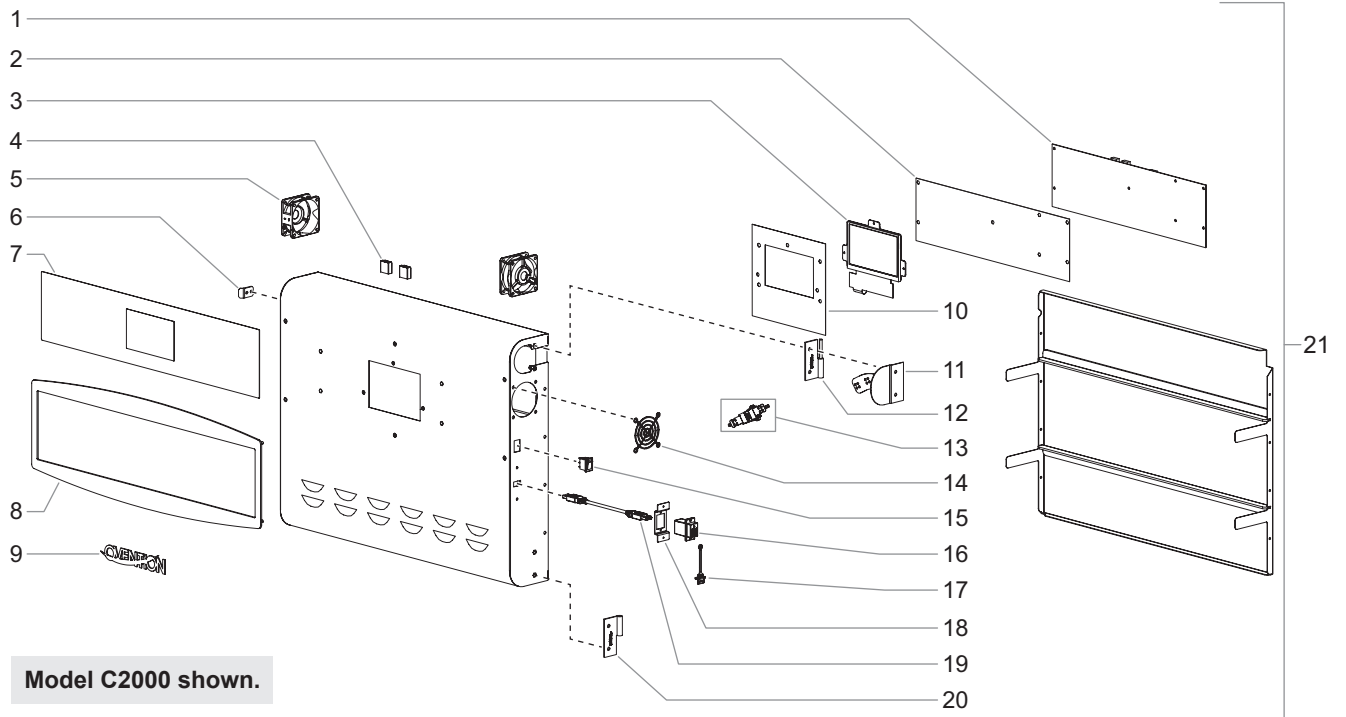


Item	Description	Part Number	Qty.
1	Conveyor End Stop		
	C1400	04.55.991.00	2
	C2000	0703-3139	2
	C2600	04.55.150.00	2
2	Crumb Tray		
	C1400	04.55.989.00	2
	C2000	0703-3140	2
	C2600	04.55.151.00	2
3	Latch	05.30.197.00	2
4	Leg, 4"	05.30.196.00	4
5	Jet Plate Assembly		
	C1400	0709-2006	2
	C2000	0703-2077	2
	C2600	04.55.136.00	2
6	Belt Cover, Split Belt	04.55.153.00	1
7	Belt Cover		
	C1400	04.55.990.00	1
	C2000/C2600	0703-3141	1

Item	Description	Part Number	Qty.
8	Drive Belt		
	C1400	04.55.988.00	1
	C2000/C2600 *	04.55.037.00	1
9	Drive Wheel *	04.55.027.00	1
10	Door Panel (C1400 only)	04.55.950.00	2
11	Thumbscrew, Door Panel	05.04.219.00	4
12	Power Cord w/Plug		
	C1400/C2000, 1Φ	02.18.557.00	1
	C1400, 3Φ, US	02.18.141.00	1
	C1400(CA)/C2000/C2600, 3Φ	02.18.676.00	1
13	Hinge, Female, Left	05.12.007.00	1
14	Hinge, Male, Right	05.12.006.00	1
	Wiring Diagram		
	C1400, 1Φ	10-01-1609	
	C1400, 3Φ	10-01-1630	
	C2000, 1Φ	10-01-1135	
	C2000, 3Φ	10-01-1158	
	C2600, Single Belt	10-01-1284	
	C2600, Split Belt	10-01-1285	

\* Split belt models require a quantity of 2 of this item.

## Door Replacement Parts



Model C2000 shown.

Item	Description	Part Number	Qty.
1	UI Board		
	C1400	R0700-5005-C140	1
	C2000, 1 $\Phi$	R0700-5005-C201	1
	C2000, 3 $\Phi$	R0700-5005-C203	1
	C2600	R0700-5005-C260	1
2	Fish Paper Insulator	0701-4002	1
3	LCD Assembly w/Bracket, 5"	R02.01.378.00	1
4	Wire Nut, Lever		
	C1400, 4 Pole	02.20.212.00	2
	C2000/C2600, 3 Pole	02.20.411.00	2
5	Cooling Fan Assembly (includes two fans)	R02.12.190.00	1
6	Latch Keeper	05.30.198.00	2
7	Touch Screen Overlay		
	C1400	04.55.946.00	1
	C2000/C2600	0701-4019	1
8	Trim Bezel	0703-2020	1
9	Ovention Badge	04.55.038.00	1
10	LCD Spacer Film	04.55.039.00	1

Item	Description	Part Number	Qty.
11	Mounting Bracket, Connector Kit	R04.55.733.00	1
12	Hinge, Male, Left	05.12.005.00	1
13	Door Connector Kit (includes item 11)	R02.14.203.00	1
14	Fan Guard	02.12.145.00	2
15	Standby Switch	02.19.233.00	1
16	Adapter, USB	02.20.545.00	1
17	Cover, USB	02.20.546.00	1
18	Mounting Bracket, USB	04.55.731.00	1
19	USB Cable, 20" ■	02.20.548.00	1
20	Hinge, Female, Right	05.12.008.00	1
21	Door Assembly, Complete (includes items 1–20)		
	C1400	R04.55.945.00	1
	C2000	R0703-2045	1
	C2600	R0703-2045-2600	1
22	Wire Harness, UI Board to Door Connector (not shown)	02.18.636.00	1

■ For units with date code **1818** and older, use USB Cable P/N 02.20.435.00.

$\Phi$  = Phase

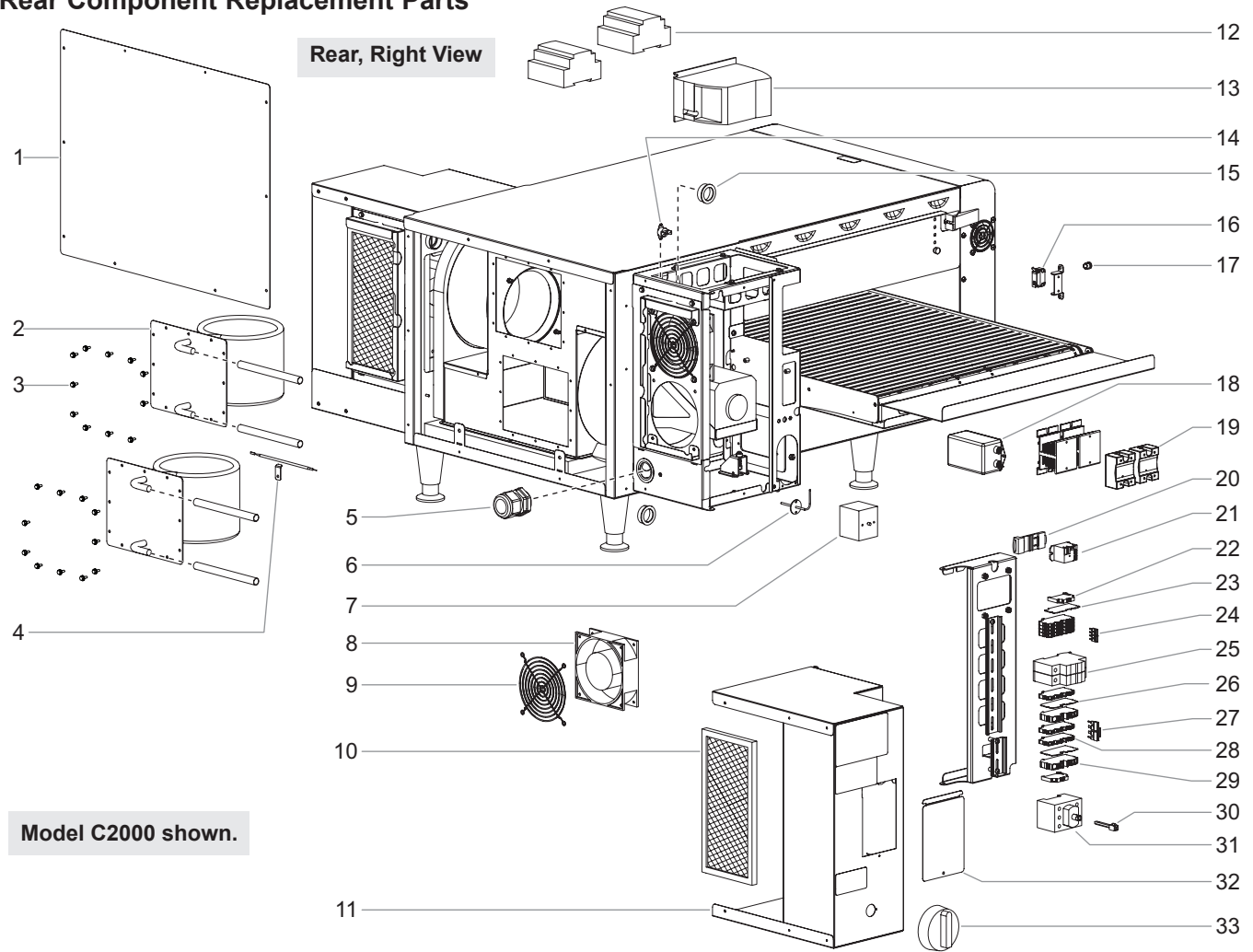
NOTE: Some parts do not appear on all models.

NOTE: The last four digits in a ten digit numerical serial number are the manufacturing date code: 962506**2004**

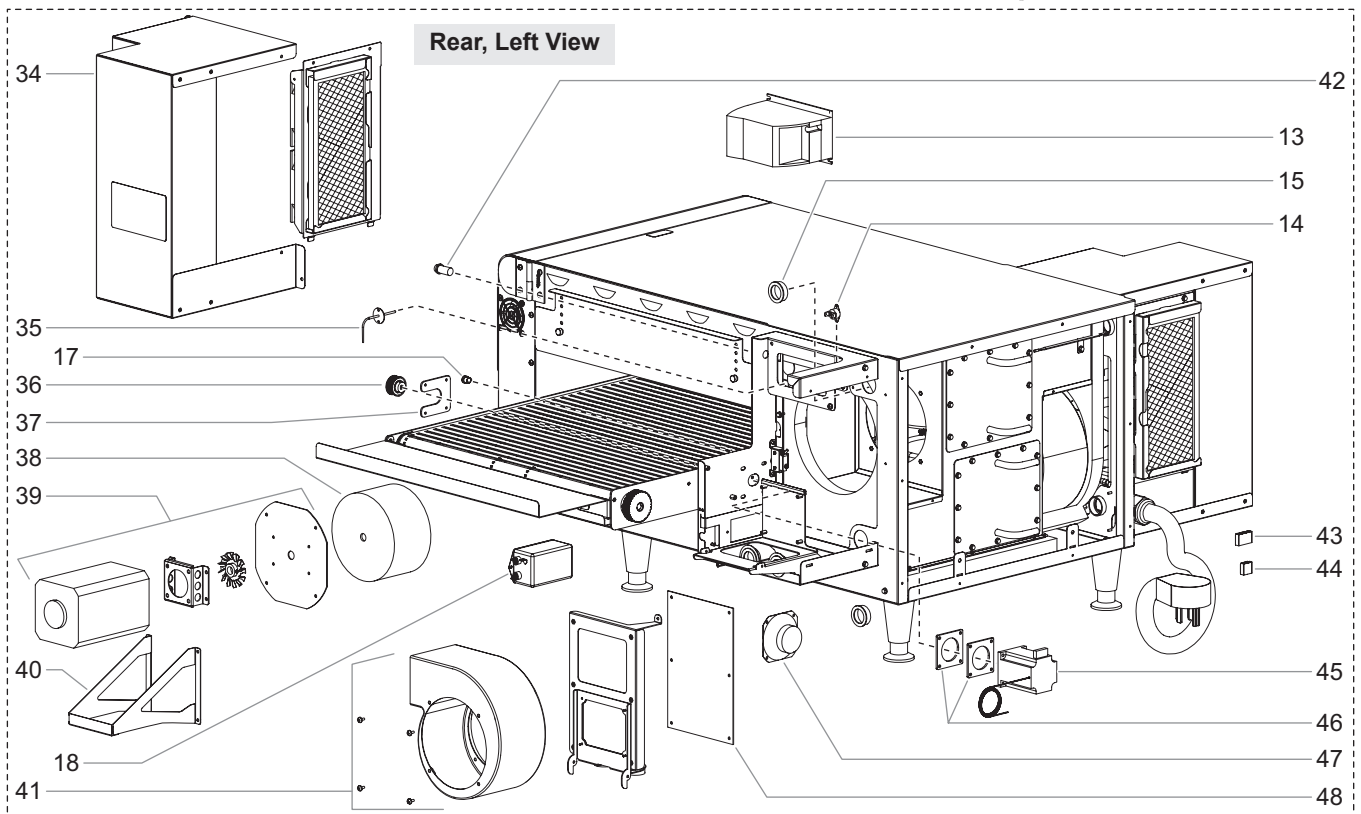
Year 2020

Week Four

# Rear Component Replacement Parts



Model C2000 shown.



Item	Description	Part Number	Qty.
1	Back Cover		
	C1400	0709-3028	1
	C2000/C2600	0703-3025	1
2	Heater with Mounting Plate		
	C1400, 10800 W, US	R02.09.352.00	1
	C2000, 1Φ, 5520 W, US	R0701-2116	2
	C2000, 1Φ, 5000 W, CA	R0701-2606	2
	C2000, 3Φ, 7500 W, USCA	R0703-2612	2
	C2600, 3Φ, 8700 W, USCA	R02.09.299.00	2
3	Hex Screw w/Washer	05.04.771.00	25
4	High Limit Hold Down Clamp	0701-3349	1
5	Cord Grip		
	C1400, 1Φ and 3Φ(CA)	02.20.509.00	1
	C1400, 3Φ, US	02.20.290.00	1
	C2000/C2600	02.20.324.00	1
6	Thermocouple		
	C1400	02.01.377.00	1
	C2000/C2600	02.01.436.00	1
7	Thermal Cutoff		
	C1400	02.16.222.00	1
	C2000/C2600	02.16.172.00	1
8	Fan †	02.12.185.00	4
9	Finger Guard	02.12.063.00	4
10	Air Filter	04.55.001.00	2
11	Component Cover, Left	04.55.162.00	1
12	Power Supply, 208/240 V Input, 24 V DC Output	02.17.066.00	2
13	Motor Controller	R02.01.609.00	2
14	Thermostat, High Limit	02.16.177.00	2
15	Snap Bushing, 1-1/4"	02.20.442.00	6
16	IR Sensor	02.18.612.00	1
17	Window Plug	02.20.454.00	2
18	RFI Filter (CE only)	02.13.356.00	2
19	Solid State Relay (3Φ models only)	R02.01.355.00	2
20	DIN Rail Clip ‡	02.01.465.00	1
21	Relay (C1400 and C2000 only) ‡	02.01.512.00	1
22	T-Block Stop	02.15.075.00	2
23	T-Block Insulator, Wago 2004-1391 (C1400 and C2000 only)	02.15.072.00	1
24	T-Block Jumper, 32 A	02.15.074.00	2
25	Mini Circuit Breaker, 15 A		
	C1400, 1Φ and C2000/C2600	02.03.079.00	2
	C1400, 3Φ	02.03.079.00	3
26	T-Block Insulator		
	C1400, Wago 2010-1391, 1Φ	02.15.082.00	2
	C1400, Wago 2010-1391, 3Φ	02.15.082.00	3
	C2000, Wago 2010-1291, 1Φ	02.15.070.00	2
	C2000/C2600, Wago 2010-1291, 3Φ	02.15.070.00	3

Φ = Phase

†For units with date code **1808** and older, use Fan P/N 02.12.148.00.

‡For use on units with date code **1809** and newer.

NOTE: See page 6 for Model C2000 legacy electrical parts.

NOTE: Some parts do not appear on all models.

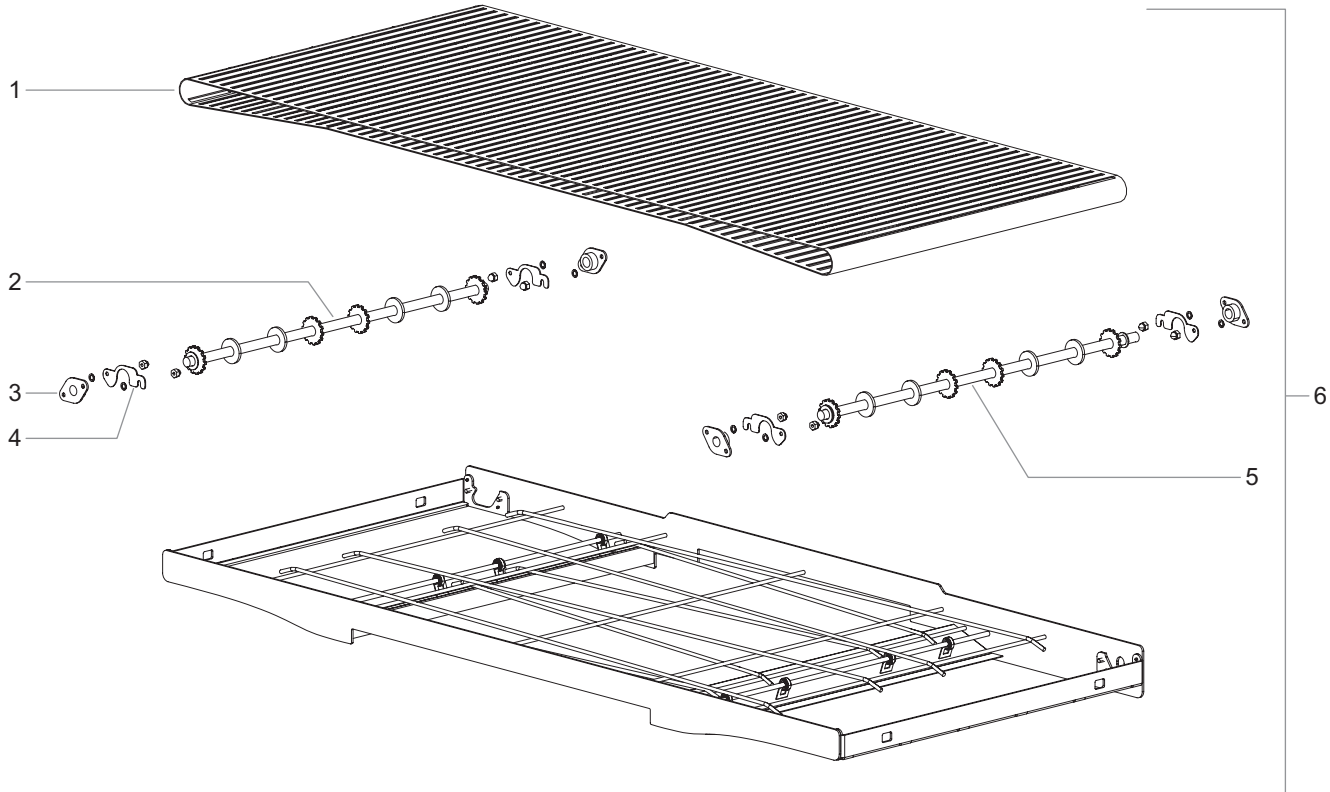
Item	Description	Part Number	Qty.
27	T-Block Jumper, 57 A		
	C1400, 1Φ	02.15.073.00	2
	C1400, 3Φ and C2000/C2600	02.15.073.00	3
28	Terminal Block, 3 Position		
	C1400, 1Φ	02.15.071.00	6
	C1400, 3Φ and C2000, 1Φ	02.15.071.00	7
	C2000, 3Φ	02.15.071.00	9
	C2600	02.15.071.00	8
29	Terminal Block		
	C1400, Wago 2010-1301, 1Φ	02.15.081.00	2
	C1400, Wago 2010-1301, 3Φ	02.15.081.00	3
	C2000, Wago 2010-1201, 1Φ	02.15.068.00	2
	C2000/C2600, Wago 2010-1201, 3Φ	02.15.068.00	3
30	Locking Shaft, 2"	02.19.236.00	1
31	Disconnect Switch (includes items 30 and 33)	R02.19.234.00	1
32	Cover, Electrical	0703-3183	1
33	Knob, Red-Yellow ON/OFF Switch	05.30.202.00	1
34	Component Cover, Right	04.55.155.00	1
35	Thermocouple	02.01.377.00	1
36	Gear, 16 Teeth *	04.55.026.00	1
37	Mounting Plate, Drive Motor	0703-3180	1
38	Blower Wheel Kit		
	C1400	R02.12.134.00	2
	C2000/C2600	R02.12.130.00	2
39	Blower Motor Kit		
	C1400	R02.12.123.00	2
	C2000/C2600	R02.12.128.01	2
40	Blower Bracket	R04.55.126.00	2
41	Blower Housing Assembly		
	C1400	R02.12.135.00	2
	C2000/C2600	R04.55.181.00	2
42	Indicator Light	02.19.238.00	1
43	Wire Nut, Lever, 5 Pole	02.20.412.00	1
44	Wire Nut, Lever, 3 Pole	02.20.411.00	3
45	Drive Motor *	02.12.132.00	1
46	Spacer, Drive Motor *	0703-3601	2
47	Speaker w/Leads		
	C2000	02.18.559.00	1
	C1400/C2600	02.18.814.00	1
48	Relay Board	R02.01.474.00	1
49	Wire Harness, Relay Board to 6-Pin Connector (not shown)	02.18.811.00	1
50	Wire Harness Extension, Relay Board to Drive Motor (split belt models only, not shown)	02.18.1096.00	1
51	Cord Washer (C1400, 3Φ US only, not shown)	02.11.115.00	2
52	T-Block Marker, L3 (C1400, 3Φ only, not shown)		
53	Insulation, Top/Rear (not shown)		
	C1400	05.05.712.00	1
	C2000	0703-6001	1
	C2600	05.05.417.00	1

## Legacy Electrical Parts — C2000 Models Only

The electrical parts listed below are for C2000 units with a date code of **1618** and older.

Item	Description	Part Number	Qty.
1	Terminal Block	02.15.062.00	1
2	Distribution Block	02.15.063.00	1
3	Fuse Holder, Dual	02.03.069.00	2
4	Time Delay Fuse, 25 A	02.03.072.00	2
5	Time Delay Fuse, 15 A	02.03.073.00	2
6	Fish Paper	0703-2002	2

## Conveyor Belt Assembly Replacement Parts — Single Belt



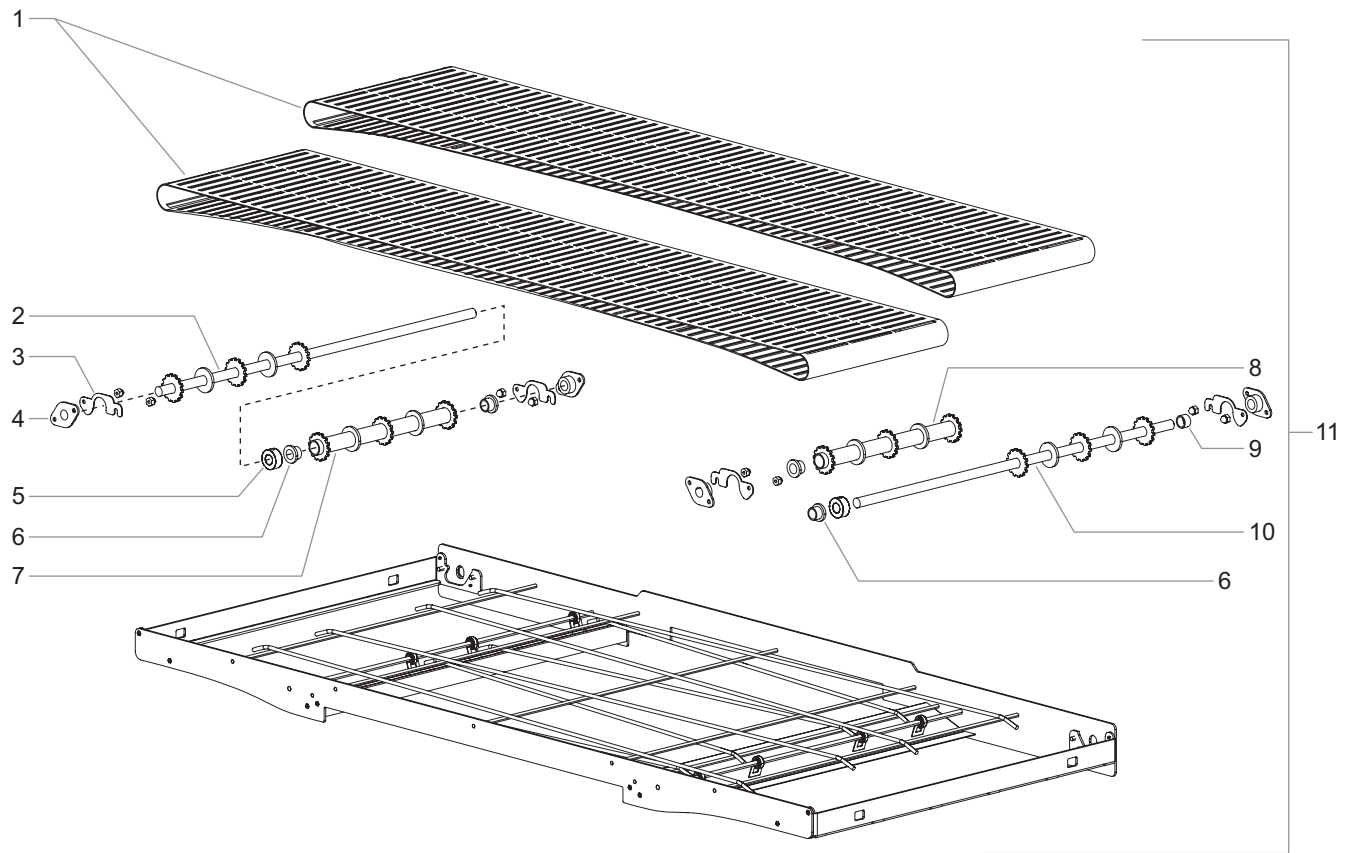
Item	Description	Part Number	Qty.
1	Conveyor Belt Kit		
	C1400	R04.55.050.C14	1
	C2000	R04.55.030.01	1
	C2600	R04.55.148.00	1
2	Idle Sprocket Assembly		
	C1400	0709-2009	1
	C2000	0703-2048	1
	C2600	04.55.144.00	1
3	Flange Bearing Kit (includes four bearings)	R05.02.050.00	1
4	Bearing Plate	0703-3602	4

Item	Description	Part Number	Qty.
5	Drive Sprocket Assembly		
	C1400	0709-2008	1
	C2000	0703-2049	1
	C2600	04.55.146.00	1
6	Conveyor Assembly (includes items 1-5)		
	C1400	R04.55.985.00	1
	C2000	R0703-2023	1
	C2600	R04.55.140.00	1

**NOTE:** The last four digits in a ten digit numerical serial number are the manufacturing date code: 962506**2004**

Year 2020 ————  
Week Four ————

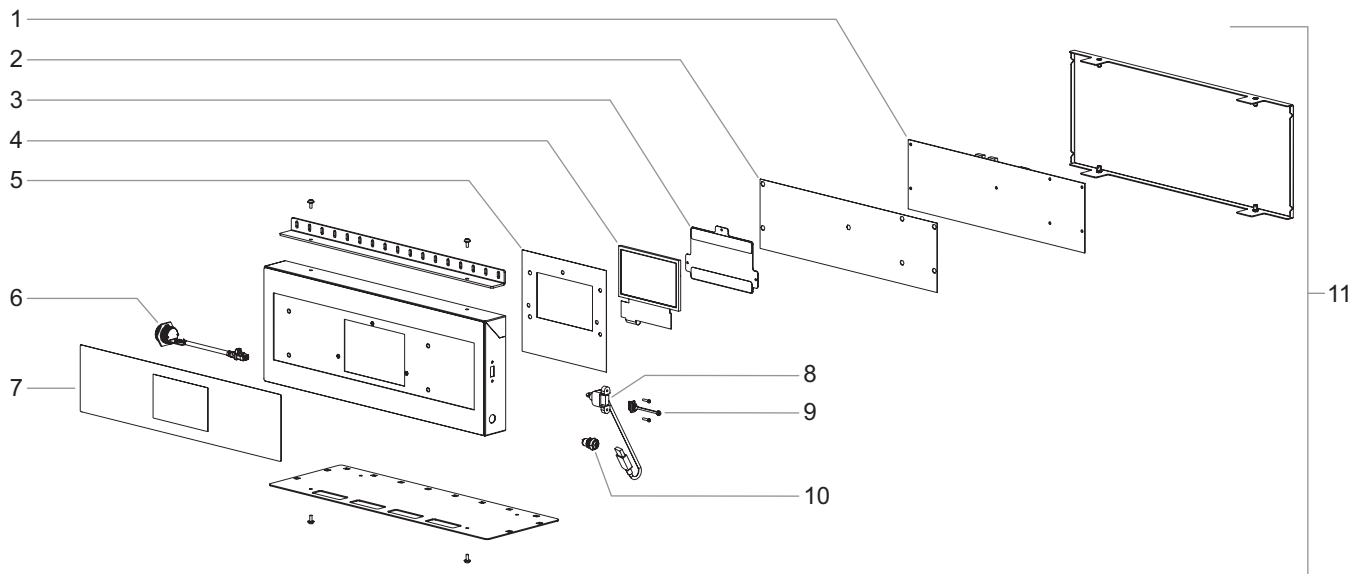
## Conveyor Belt Assembly Replacement Parts — Split Belt



Item	Description	Part Number	Qty.
1	Conveyor Belt Kit, Split Belt		
	C2000, 50/50 Split	R04.55.273.00	2
	C2600, 50/50 Split	R04.55.178.00	2
	C2000, 70/30 Split		
	12-1/2" (318 mm) Width Belt	R04.55.178.00	1
	6-1/2" (165 mm) Width Belt	R04.55.091.00	1
	C2600, 70/30 Split		
	19" (483 mm) Width Belt	R04.55.171.00	1
	8" (203 mm) Width Belt	R04.55.170.00	1
2	Idle Sprocket Assembly		
	C2000	04.55.268.00	1
	C2600, 50/50 Split	04.55.174.00	1
	C2600, 70/30 Split	04.55.165.00	1
3	Bearing Plate	0703-3602	4
4	Flange Bearing Kit (includes four bearings)	R05.02.050.00	1
5	Shaft Collar	05.07.051.00	2
6	Flanged Bearing Sleeve	05.02.048.00	4
7	Idler Tube Assembly, Idle Sprocket		
	C2000	04.55.271.00	1
	C2600, 50/50 Split	04.55.176.00	1
	C2600, 70/30 Split	04.55.166.00	1

Item	Description	Part Number	Qty.
8	Idler Tube Assembly, Drive Sprocket		
	C2000	04.55.271.00	1
	C2600, 50/50 Split	04.55.176.00	1
	C2600, 70/30 Split	04.55.168.00	1
9	Bearing Sleeve	05.02.049.00	1
10	Drive Sprocket Assembly		
	C2000	04.55.270.00	1
	C2600, 50/50 Split	04.55.175.00	1
	C2600, 70/30 Split	04.55.164.00	7
11	Conveyor Assembly (includes items 1-5)		
	C2000, 50/50 Split	R04.55.273.01	1
	C2600, 50/50 Split	R04.55.173.00	1
	C2600, 70/30 Split	R04.55.156.00	1

## Remote Control Box Replacement Parts (option)



Item	Description	Part No.	Qty.
1	UI Board		
	C2000, 1Φ	R0700-5005-C201	1
	C2000, 3Φ	R0700-5005-C203	1
	C2600	R0700-5005-C26	1
2	Fish Paper Insulator	0701-4002	1
3	LCD Bracket	0701-3296	1
4	LCD Assembly, 5"	02.01.378.00	1
5	LCD Spacer Film	04.55.039.00	1
6	RJ45 Connector	02.18.1226.00	1

Item	Description	Part No.	Qty.
7	Touchscreen Overlay	04-55-946.00	1
8	USB Cable, 20"	02.20.515.00	1
9	Cover, USB	02.20.546.00	1
10	Pushbutton On/Off Switch	02.18.1375.00	1
11	Remote Control Box Assembly (includes items 1-10)		1
	C2000, 1Φ	R04.68.324.C201	
	C2000, 3Φ	R04.68.324.C203	
	C2600	R04.68.324.C26	


  
**Ovention, Inc.**  
 P.O. Box 340500  
 Milwaukee, WI 53234-0500 U.S.A.  
 855-298-OVEN(6836)  
[connect@oventionovens.com](mailto:connect@oventionovens.com)  
[partsandservice@oventionovens.com](mailto:partsandservice@oventionovens.com)  
[www.oventionovens.com](http://www.oventionovens.com)



**Need help?**  
 Call our toll-free  
**Ovention Hotline**  
**855-298-OVEN(6836)**