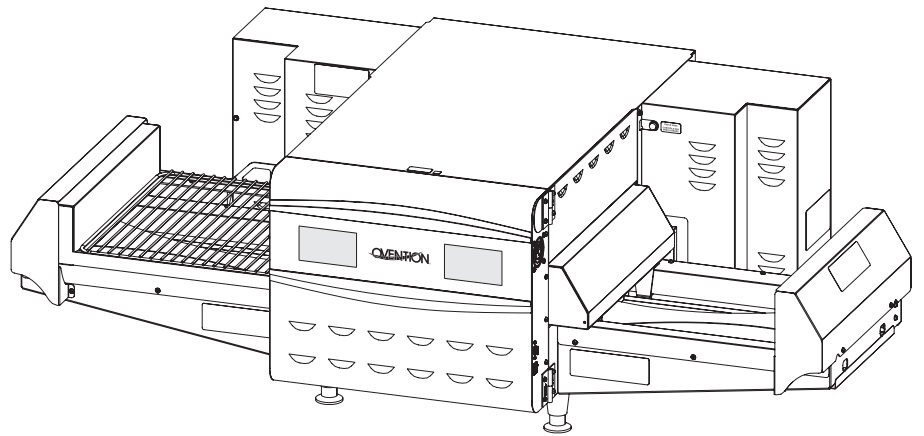
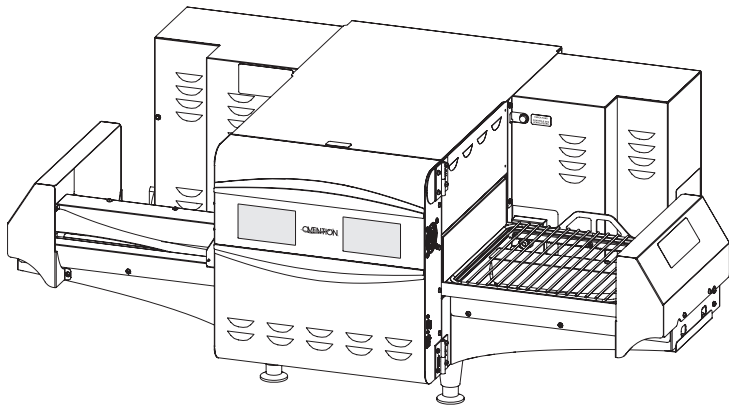




Matchbox® Oven

Models: M1313, M1718



Replacement Parts List

IMPORTANT NOTE:

Locate the Specification Label on unit to determine exact Model Name and electrical specifications. This information is needed to identify the correct replacement parts. See exploded view illustration(s) for Specification Label location.



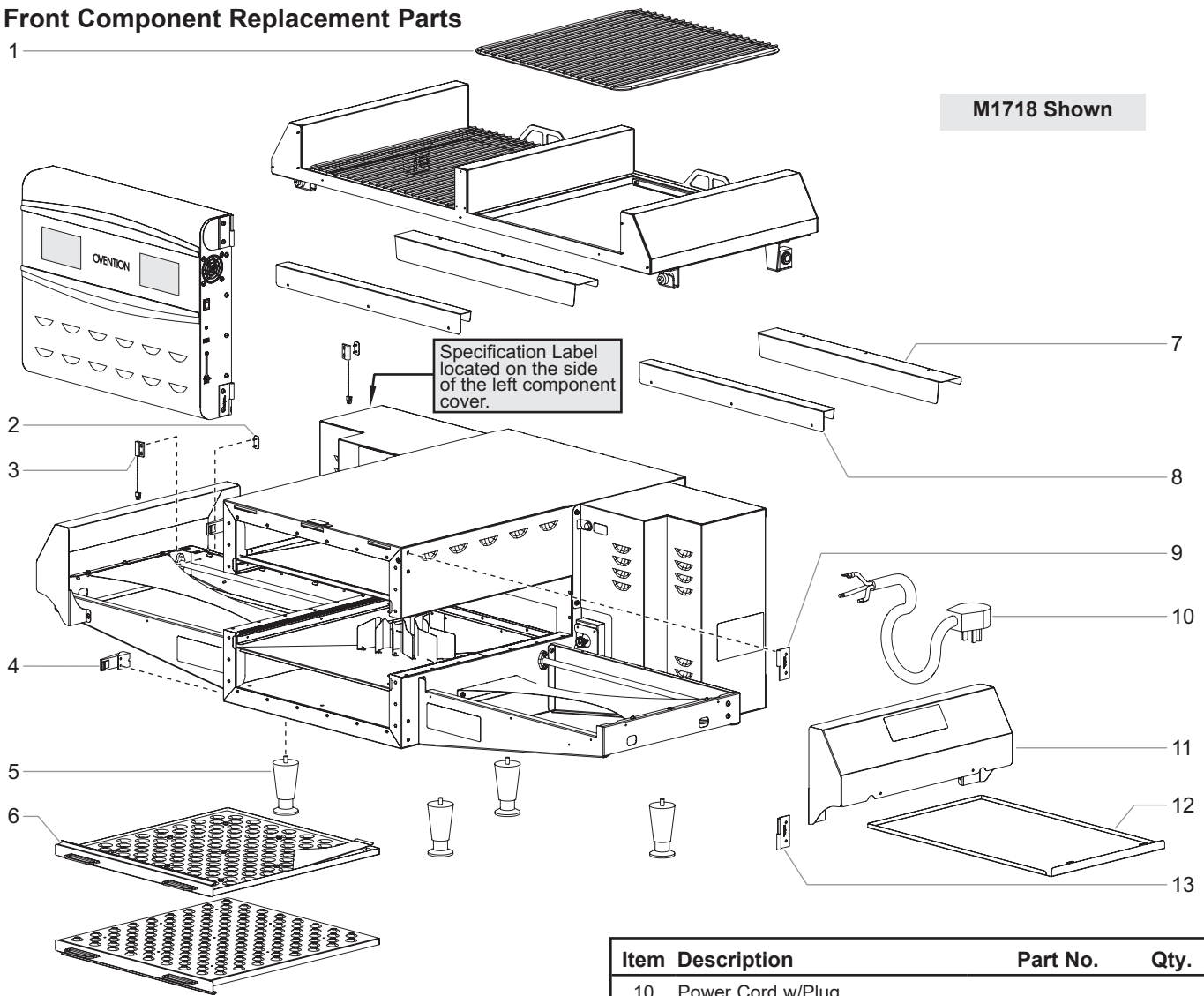
Use of replacement parts other than those supplied by Ovention may result in damage to unit or injury to personnel and will void all warranties.

Need help?
Call our 24 hour, toll-free
Ovention Hotline
855-298-OVEN(6836)

A graphic box containing a telephone handset icon, the text "24/7" with a lightning bolt, and the contact information for the Ovention hotline.

Ovention® Matchbox® Oven

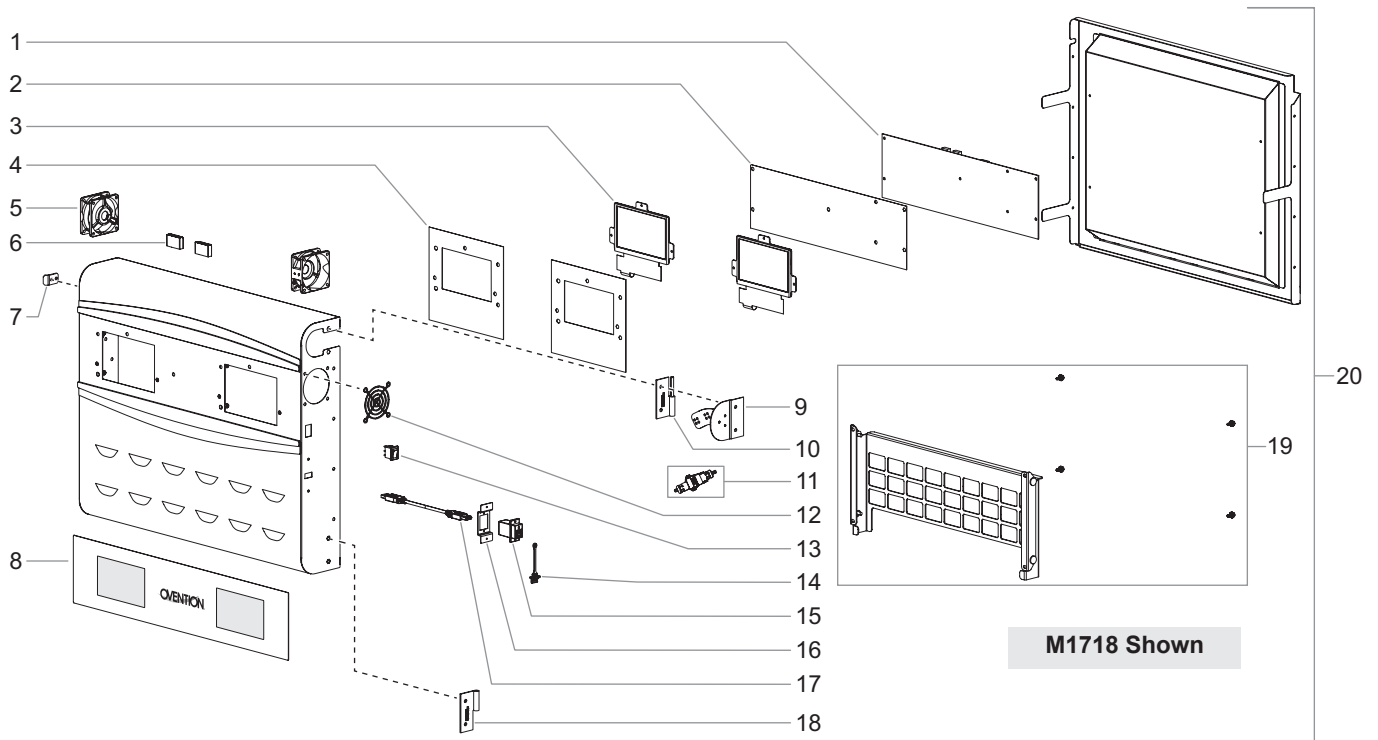
Front Component Replacement Parts



Item	Description	Part No.	Qty.
1	Cooking Rack		
	M1313	0702-2058	2
	M1718	0701-2148	2
2	Proximity Sensor Mount	0701-2601	2
3	Proximity Senson Assembly (includes item 2)	R02.18.561.00	2
4	Latch	05.30.197.00	2
5	Leg, 4"	05.30.196.00	4
6	Jet Plate Assembly		
	M1313	0702-2039	2
	M1718	0701-2108	2
7	Bearing Cover, Rear		
	M1313	0702-3057	2
	M1718	0702-3055	2
8	Bearing Cover, Front		
	M1313	0702-3056	2
	M1718	0702-3054	2
9	Hinge, Female, Left		
	M1313	05.12.012.00	1
	M1718	05.12.007.00	1

Item	Description	Part No.	Qty.
10	Power Cord w/Plug		
	M1313, 208/240 V, 1Φ	02.18.601.00	1
	M1313 (8250 W Heater)/M1718, 208/240 V, 1Φ	02.18.557.00	1
	M1313, 230 V, 1Φ	02.18.549.00	1
	M1313/M1718, 230/400 V, 3Φ	02.18.548.00	1
11	Platform Cap		
	M1313	0702-3117	2
	M1718	0701-3204	2
12	Crumb Tray		
	M1313	0702-3060	2
	M1718	0701-3059	2
13	Hinge, Male Right		
	M1313	05.12.009.00	1
	M1718	05.12.006.00	1
	Wiring Diagram		
	M1313		
	208/240 V, 1Φ	10-01-1086	
	230 V, 1Φ	10-01-1181	
	230/400 V, 3Φ	10-01-1180	
	M1718		
	208/240 V, 1Φ	10-01-1077	
	230/400 V, 3Φ	10-01-1179	

Door Replacement Parts



Item	Description	Part No.	Qty.
1	UI Board		
	M1313	R0700-5005-M131	1
	M1718	R0700-5005-M171	1
2	Fish Paper Insulator	0701-4002	1
3	LCD Assembly w/Bracket, 5"	R02.01.378.00	2
4	LCD Spacer Film	04.55.039.00	2
5	Cooling Fan Assembly (includes two fans) †	R02.12.190.00	1
6	Wire Nut, Lever, 3 Pole	02.20.411.00	2
7	Latch Keeper	05.30.198.00	2
8	Touchscreen Overlay		
	M1313	0702-4000	1
	M1718	0701-4000	1
9	Door Connector Cover/ Mounting Kit ‡	R04.55.733.00	1
10	Hinge, Male, Left †	05.12.005.00	1
11	Door Connector Kit (includes item 9)	R02.14.203.00	1

Item	Description	Part No.	Qty.
12	Fan Guard *	02.12.145.00	2
13	Standby Switch	02.19.233.00	1
14	Cover, USB	02.20.546.00	1
15	Adapter, USB	02.20.545.00	1
16	Mounting Bracket, USB	04.55.731.00	1
17	USB Cable, 20" ■	02.20.548.00	1
18	Hinge, Female, Right ‡	05.12.008.00	1
19	Toast Catcher Kit		
	M1313	R04.55.123.00	1
	M1718	R04.55.124.00	1
20	Door Assembly, Complete (includes items 1–19)		
	M1313	R0702-2055	1
	M1718	R0701-2126	1
21	Wire Harness, UI Board to Door Connector (not shown)	02.18.636.00	1

Φ = Phase

† For units with date code **1745** and older, use Cooling Fan Assembly P/N 02.18.560.00.

* For units with date code **1745** and older, use Fan Guard P/N 02.12.133.00.

■ For units with date code **1850** and older, use USB Cable P/N 02.20.435.00.

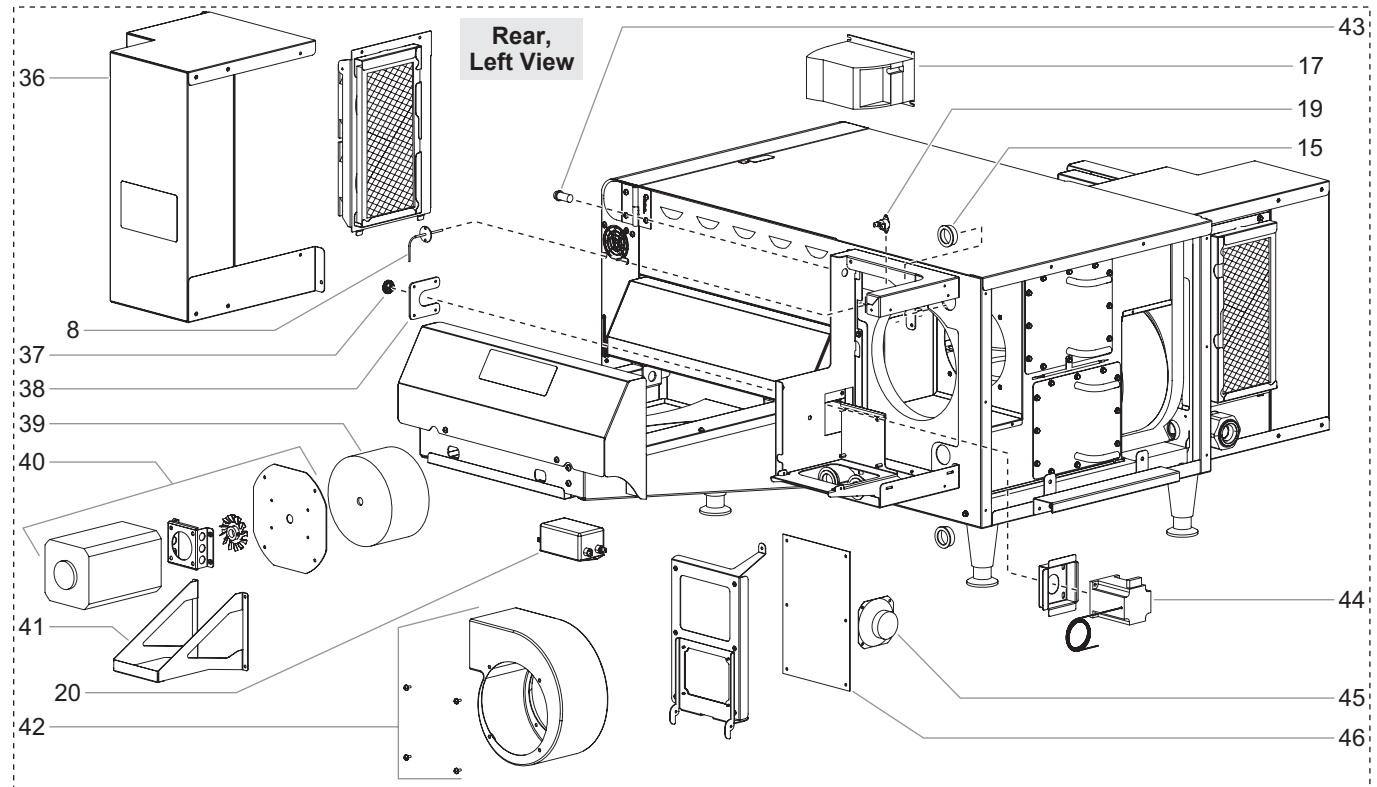
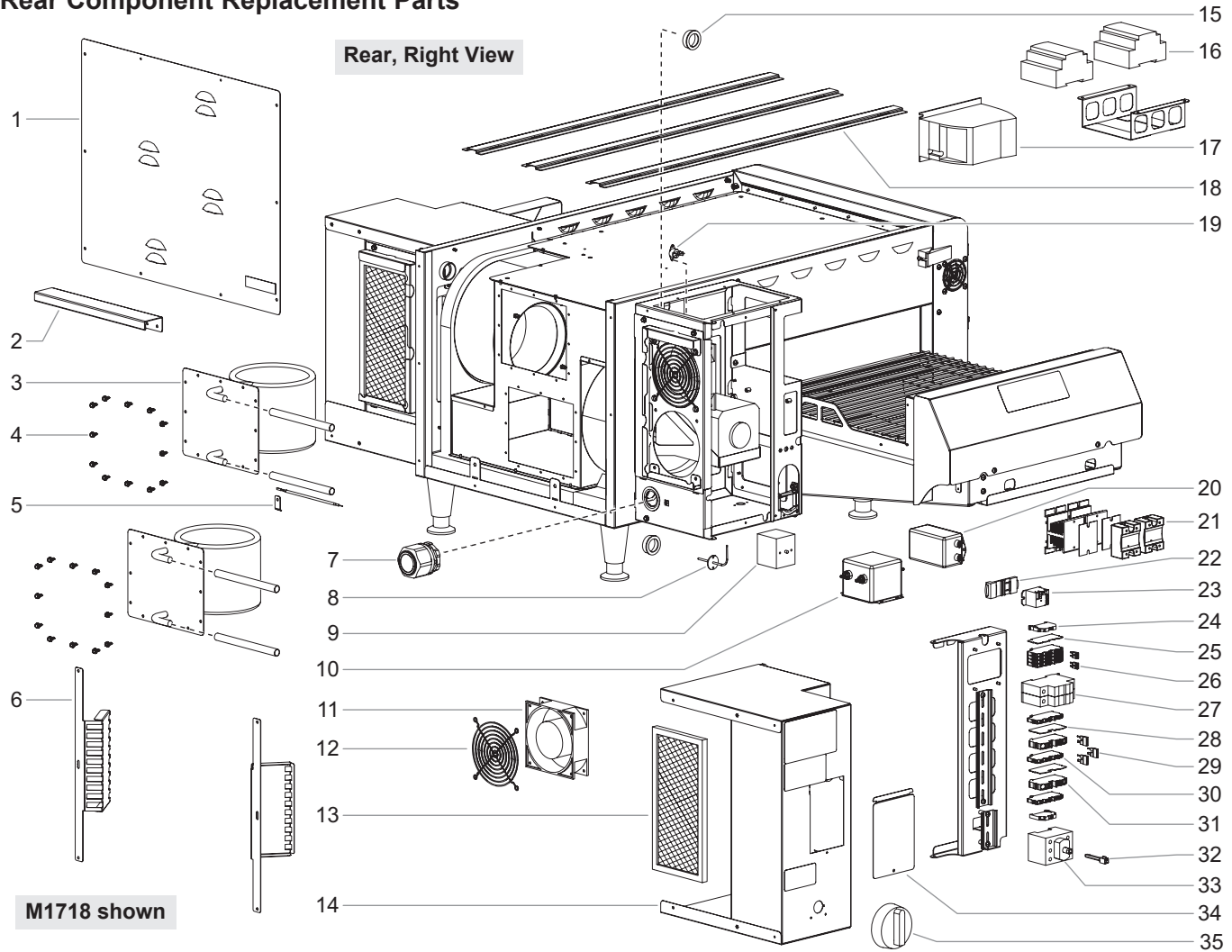
‡ For M1313 models with date code **1833** and older, use Left Male Hinge P/N 05.12.011.00, Door Connector Cover P/N 0702-3134, Right Female Hinge P/N 05.12.010.00.

The shaded areas contain information for **International models only.**

NOTE: The last four digits in a ten digit numerical serial number are the manufacturing date code: 962506**1404**

Year 2014
Week Four

Rear Component Replacement Parts



Item	Description	Part No.	Qty.
1	Back Cover		
	M1313	0702-3058	1
	M1718	0701-3619 †	1
2	Rear Standoff	0701-3621	1
3	Heater w/Mounting Plate		
	M1313, 6400 W	R0702-2045	1
	M1313, 8250 W	R0709-2029	1
	M1313, 5720 W (CA only)	R0709-2601	1
	M1718, 5520 W	R0701-2116	2
	M1718, 5000 W (CA only)	R0701-2606	2
	M1718, 7500 W	R0703-2612	2
4	Hex Screw w/Washer		
	M1313	05.04.771.00	18
	M1718	05.04.771.00	24
5	High Limit Hold Down Clamp	0701-3349	1
6	Rear Air Spacer	04.55.709.00	2
7	Cord Grip		
	M1313/M1718, 208/240 V	02.20.509.00	1
	M1313/M1718, 230V	02.20.324.00	1
8	Thermocouple	02.01.377.00	2
9	Thermal Cutoff	02.16.172.00	1
10	RFI Filter, 30 A (M1313 only)	02.13.357.00	1
11	Fan •	02.12.185.00	4
12	Finger Guard	02.12.063.00	4
13	Air Filter	04.55.001.00	2
14	Component Cover, Left	04.55.162.00	
15	Snap Bushing, 1-1/4"	02.20.442.00	4
16	Power Supply, 208/240 V Input, 24 V DC Output	02.17.066.00	2
17	Motor Controller		
	M1313	02.01.405.00	2
	M1718	02.01.404.00	2
18	U Channel		
	M1313	04.55.788.00	3
	M1718	04.55.741.00	3
19	Thermostat, High Limit	02.16.177.00	2
20	RFI Filter, 20 A	02.13.356.00	2
21	Solid State Relay (M1718 3Φ models only)	R02.01.355.00	2
22	DIN Rail Clip ♦	02.01.465.00	1
23	Relay ♦	02.01.512.00	1
24	T-Block Stop	02.15.075.00	2
25	T-Block Insulator, Wago 2004-1391	02.15.072.00	1

Item	Description	Part No.	Qty.
26	T-Block Jumper, 32 A	02.15.074.00	2
27	Mini Circuit Breaker, 15 A	02.03.079.00	2
28	T-Block Insulator, Wago 2010-1291 (1Φ models only)	02.15.070.00	2
29	T-Block Jumper, 57 A (1Φ models only)		
	M1313	02.15.073.00	2
	M1718	02.15.073.00	3
30	Terminal Block, 3 Position		
	M1313, 208/240 V	02.15.071.00	6
	M1313, 230 V	02.15.071.00	7
	M1718	02.15.071.00	7
31	Terminal Block, 2 Position (1Φ models only)	02.15.068.00	2
32	Locking Shaft, 2" (M1718 only)	02.19.236.00	1
33	Disconnect Switch (includes items 32 and 35, M1718 only)	R02.19.234.00	1
34	Cover, Fuse	0703-3183	1
35	Knob, Red-Yellow ON/OFF Switch (M1718 only)	05.30.202.00	1
36	Component Cover, Right	04.55.155.00	1
37	Gear, 16 Teeth	05.09.063.00	1
38	Mounting Plate, Drive Motor	0701-3180	1
39	Blower Wheel Kit		
	M1313	R02.12.134.00	2
	M1718	R02.12.130.00	2
40	Blower Motor Kit		
	M1313	R02.12.123.00	2
	M1718	R02.12.128.00	2
41	Blower Bracket (M1718 only)	R04.55.126.00	2
42	Blower Housing Assembly		
	M1313	R02.12.135.00	2
	M1718	R02.12.131.00	2
43	Indicator Light	02.19.238.00	1
44	Drive Motor	02.12.132.00	1
45	Speaker w/Leads	02.18.559.00	1
46	Relay Board	R02.01.474.00	1
47	Wire Harness, Relay Board to 6-Pin Connector (not shown)	02.18.811.00	1
48	Insulation, Rear (not shown)		
	M1313	0702-6001	1
	M1718	0701-6001	1

Φ = Phase

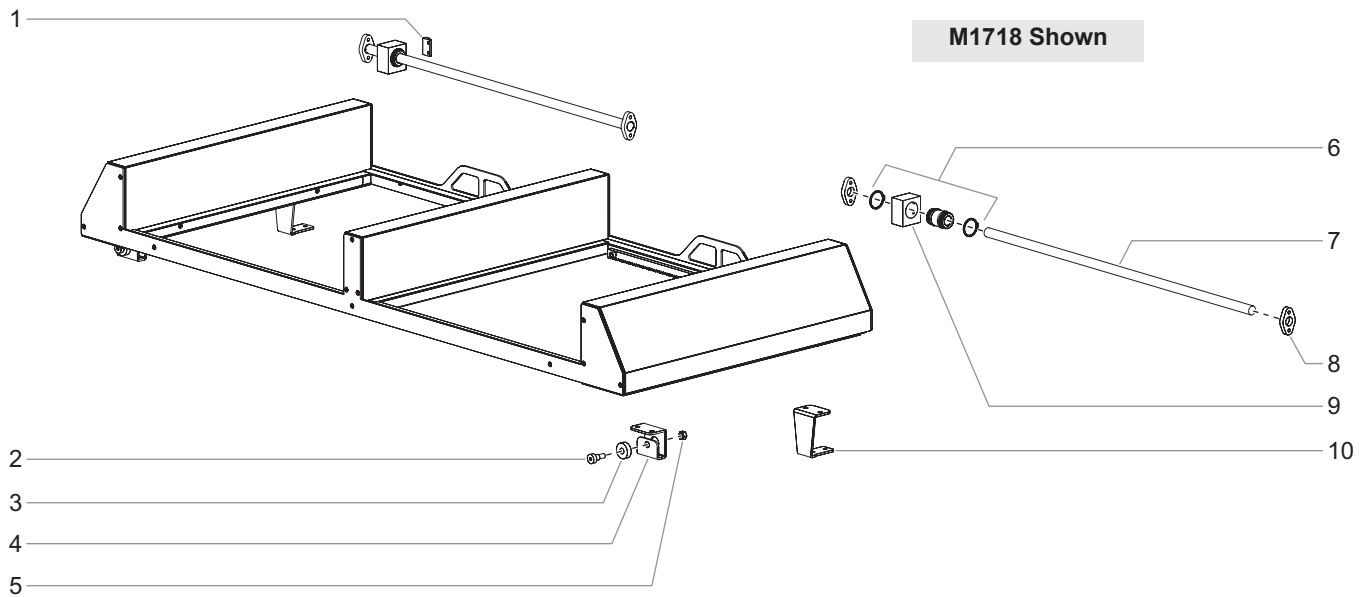
• For units with date code **1830** and older, use Fan P/N 02.12.148.00.

♦ For use on units with date code **1831** and newer.

NOTE: See page 7 for a listing of rear component legacy replacement parts not shown on this page.

The shaded areas contain information for **International models only**.

Slider Replacement Parts



Item	Description	Part No.	Qty.
1	Magnet, Proximity Sensor	02.19.237.00	1
2	Shoulder Screw	05.04.775.00	2
3	Bearing, 22 mm	05.02.041.00	2
4	Roller Bearing Mount	0701-2019	2
5	Hex Nut	05.04.682.00	2
6	Slider Bearing Kit (Includes Item 9)	R05.02.040.00	2

Item	Description	Part No.	Qty.
7	Rail, Round, 1/2"		
	M1313	04.55.009.00	2
	M1718	04.55.003.00	2
8	Rail Mount, 1/2"	0701-3132	4
9	Bearing Block	0701-3133	2
10	Mount, Linear Bearing	0701-3046	2

NOTE: The last four digits in a ten digit numerical serial number are the manufacturing date code: 962506**1404**

Year 2014
Week Four

Legacy Parts (not shown)

The parts listed below are for units with a date code of 1618 or older.

Item	Description	Part No.	Qty.	Item	Description	Part No.	Qty.
1	Terminal Block	02.15.062.00	1	9	Cover, Fuse		
2	Distribution Block (M1718 only)	02.15.063.00	1		M1313	0702-2052	1
3	Fuse Holder, Dual	02.03.069.00	3		M1718	0703-3087 ▲	1
4	Time Delay Fuse, 25 A (M1718 only)	02.03.072.00	4	10	Component Cover, Right		
5	Time Delay Fuse, 15 A (M1313 only)	02.03.073.00	4		M1313, 208/240 V	0702-3033	1
6	Time Delay Fuse, 10 A	02.03.070.00	2		M1313, 230 V	0702-2605	1
7	Mini Circuit Breaker, 25 A	02.03.081.00	2		M1718, 208/240 V	0701-3479 ▲	1
8	Component Cover, Left				M1718, 230 V	0701-2608	1
	M1313	0702-3037	1	11	Spacer, Drive Motor		
	M1718	0703-3155 ▲	1		M1313	0701-3088	1
					M1718	0701-3052	1

▲ This P/N used on M1718 units with date codes between **1413** and **1618**. For older units, contact Ovention® Hotline for assistance.

Ovention, Inc.
P.O. Box 340500
Milwaukee, WI 53234-0500 U.S.A.
855-298-OVEN(6836)
connect@oventionovens.com
partsandservice@oventionovens.com
www.oventionovens.com



Need help?
Call our 24 hour, toll-free
Ovention Hotline
855-298-OVEN(6836)