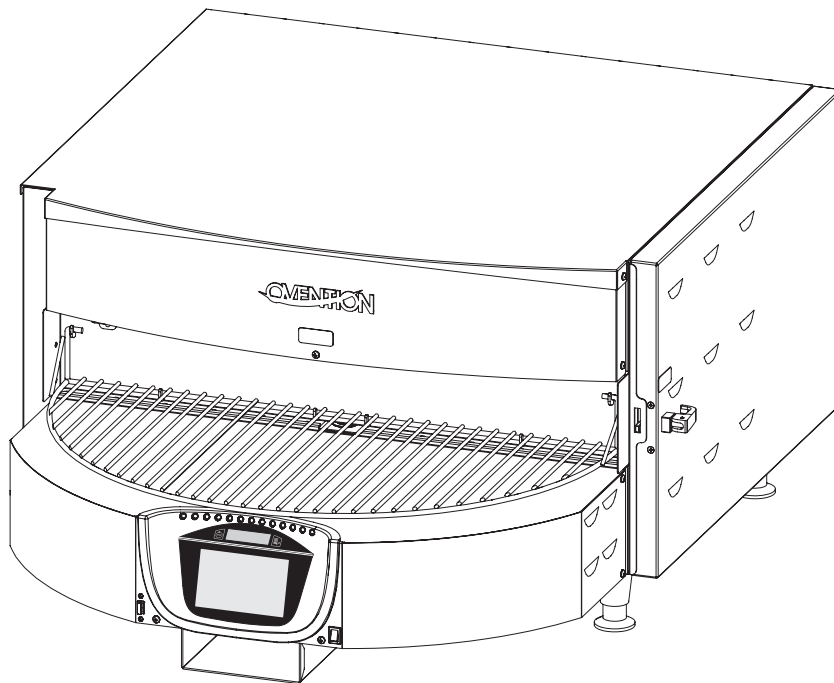




Matchbox 360 Oven Models: M360-12, M360-14



Replacement Parts List

IMPORTANT NOTE:

Locate the Specification Label on unit to determine exact Model Name and electrical specifications. This information is needed to identify the correct replacement parts. See exploded view illustration(s) for Specification Label location.

CAUTION

Use of replacement parts other than those supplied by Ovention may result in damage to unit or injury to personnel and will void all warranties.



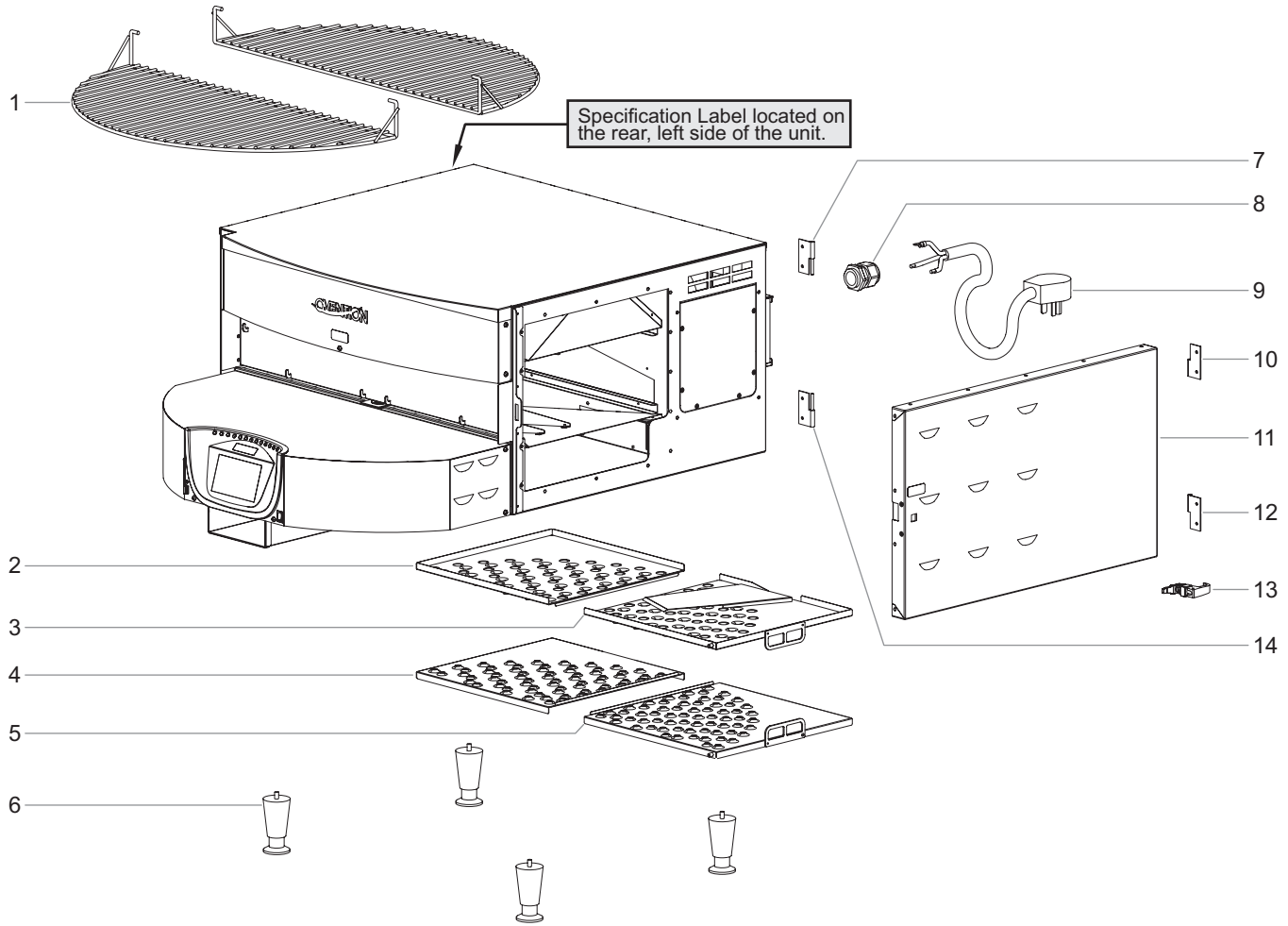
Need help?

Call our 24 hour, toll-free
Ovention Hotline

855-298-OVEN(6836)

Ovention® Matchbox 360 Oven

Front Component Replacement Parts

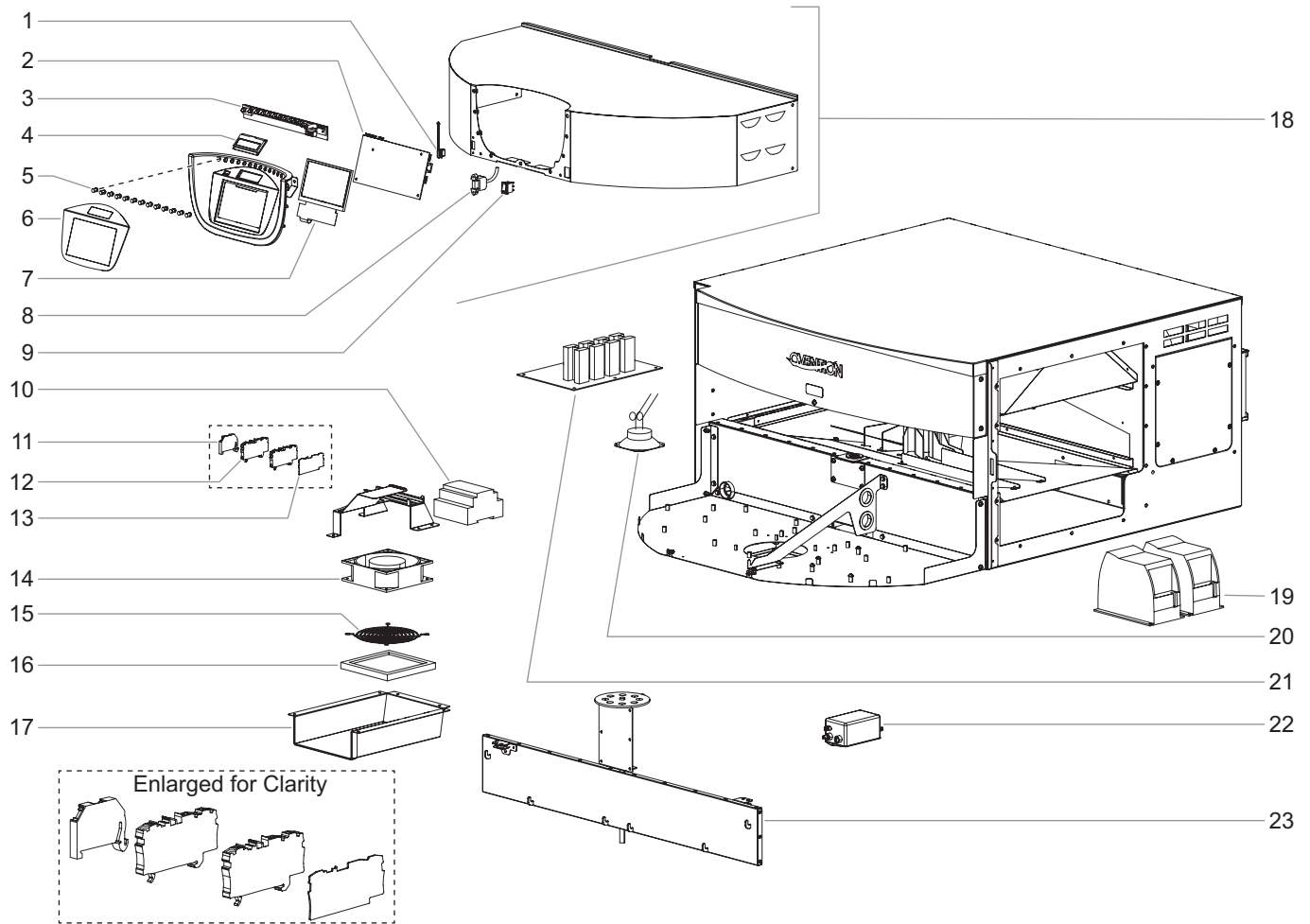


Item	Description	Part Number	Qty.
1	Cook Rack		
	M360-12	0801-3081	2
	M360-14	0802-3081	2
2	Jet Plate Assembly, Top Left		
	M360-12	0801-2008	1
	M360-14	0802-2008	1
3	Jet Plate Assembly, Top Right		
	M360-12	0801-2028	1
	M360-14	0802-2028	1
4	Jet Plate Assembly, Bottom Left		
	M360-12	0801-2007	1
	M360-14	0802-2007	1
5	Jet Plate Assembly, Bottom Right		
	M360-12	0801-2029	1
	M360-14	0802-2029	1
6	Leg, 4"	05.30.196.00	4
7	Hinge, Male, Left	05.12.005.00	1
8	Cord Grip		
	M360-12, 208–240 V	02.20.290.00	1
	M360-14, 208–240 V	02.20.509.00	1
	M360-12, 220–240, 230 V	02.20.324.00	1
	M360-12/M360-14, 230/400–240/415 V	02.20.290.00	1

Item	Description	Part Number	Qty.
9	Power Cord w/Plug		
	M360-12, 208–240 V	02.18.601.00	1
	M360-14, 208–240 V	02.18.557.00	1
	M360-12, 220–240, 230 V	02.18.549.00	1
	M360-12/M360-14, 230/400–240/415 V	02.18.835.00	1
10	Hinge, Female, Left	05.12.007.00	1
11	Door Assembly		
	M360-12	R04.55.213.00	1
	M360-14	R04.55.139.00	1
12	Hinge, Female, Right	05.12.008.00	1
13	Door Latch	05.30.257.00	1
14	Hinge, Male, Right	05.12.006.00	1
	Wiring Diagram		
	M360-12, 208–240 V	10-01-1199	
	M360-14, 208–240 V	10-01-1197	
	M360-12, 220–240, 230 V	10-01-1273	
	M360-12, 230/400–240/415 V	10-01-1274	
	M360-14, 230/400–240/415 V	10-01-1272	

The shaded areas contain information for **International models only.**

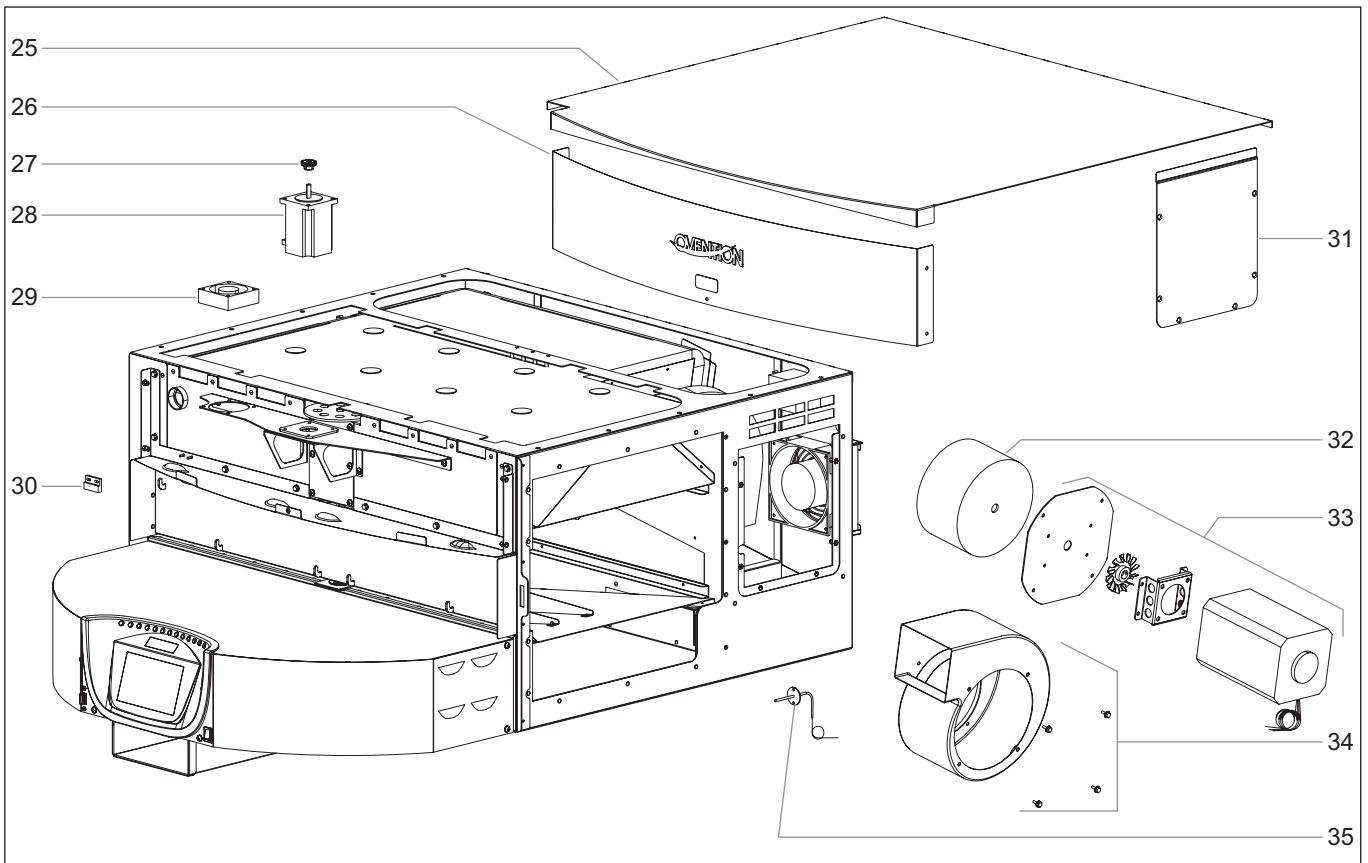
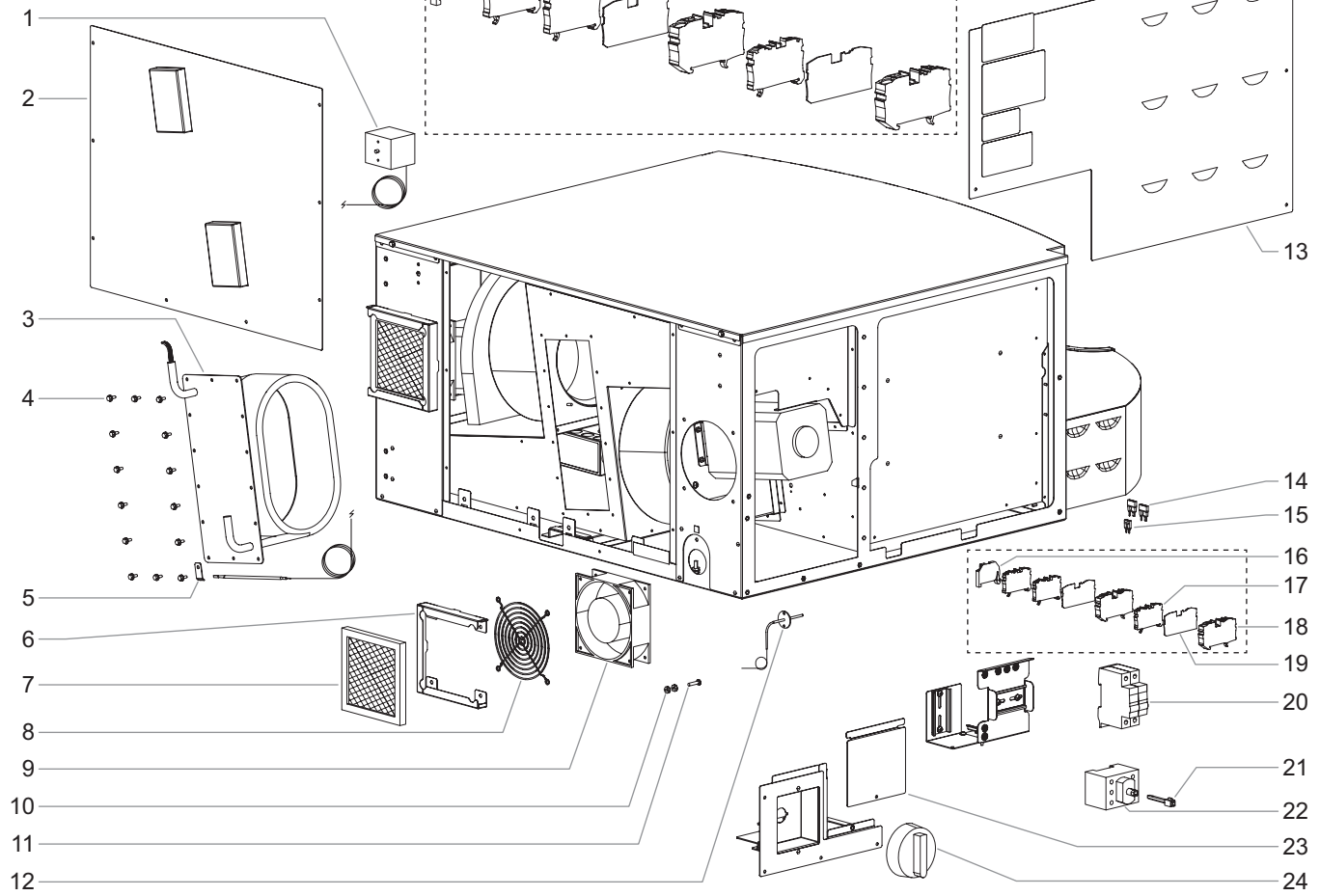
Control Compartment Replacement Parts



Item	Description	Part Number	Qty.
1	Cover, USB	02.20.438.00	1
2	UI Board	R0800-7005-M360	1
3	LED Board Assembly	0800-7010	1
4	OLED Display Assembly	R02.01.434.00	1
5	LED Lens Cap	02.20.483.00	13
6	Touch Screen Overlay	0800-4000	1
7	LCD Assembly w/Bracket, 5"	R02.01.378.360	1
8	USB Cable, 20"	02.20.435.00	1
9	Standby Switch	02.19.233.00	1
10	Power Supply, 208/240 V Input, 24 V DC Output	02.17.066.00	1
11	T-Block Stop	02.15.075.00	1
12	Terminal Block, 3 Position		
	M360-12/M360-14, 208–240 V	02.15.071.00	2
	M360-14, 220–240, 230, and 230/400–240/415 V	02.15.071.00	3
13	T-Block Insulator, Wago 2004-1391	02.15.072.00	1
14	Cooling Fan	02.12.148.00	1
15	Fan Guard	02.12.063.00	1
16	Air Filter	04.55.056.00	1

Item	Description	Part Number	Qty.
17	Air Scoop		
	M360-12	0801-3045	1
	M360-14	0802-3045	1
18	Base Assembly (includes items 1–9)		
	M360-12	R0801-3057	1
	M360-14	R0802-3057	1
19	Motor Controller		
	M360-12	02.01.405.00	2
	M360-14	02.01.404.00	2
20	Speaker w/Leads	02.18.559.00	1
21	Relay Board	R02.01.474.00	1
22	EMI/RFI Filter (CE only)		
	M360-12, 230 V	02.13.356.00	1
		02.13.357.00	1
	M360-12/M360-14, 230/400 V	02.13.356.00	2
23	Door Weldment Assembly		
	M360-12	R0801-2017	1
	M360-14	R0802-2017	1
23	T-Block Jumper, 32 A (not shown)		
	M360-12	---	
	M360-14, 220–240, 230, 230/400–240/415 V	02.15.074.00	1
24	Wire Harness, UI Board to Relay (not shown)	02.18.745.00	1

Rear and Side Component Replacement Parts



Item	Description	Part Number	Qty.
1	Thermal Cutoff	02.16.172.00	1
2	Rear Cover Assembly		
	M360-12	0801-2015	1
	M360-14	0802-2015	1
3	Heater with Mounting Plate		
	M360-12, 8250 W	0702-2045	1
	M360-14, 8250 W	0709-2029	1
4	Hex Screw w/Washer		
	M360-12	05.04.771.00	14
	M360-14	05.04.771.00	14
5	High Limit Hold Down Clamp *	0701-3349	1
6	Filter Holder	0802-3079	2
7	Air Filter	04.55.056.00	2
8	Finger Guard	02.12.063.00	2
9	Fan, 230 V	02.12.148.00	2
10	Nut, Equipotential (CE only)	05.04.023.00	2
11	Screw, Equipotential (CE only)	05.04.641.00	1
12	Thermocouple, 48" Leads	02.01.377.00	1
13	Left Cover Assembly		
	M360-12	0801-2003	1
	M360-14	0802-2003	1
14	T-Block Jumper, 57 A		
	M360-12/M360-14, 208–240 V	02.15.073.00	2
	M360-12, 220–240, 230 V	02.15.073.00	2
	M360-12/M360-14, 230/400–240/415 V	---	
15	T-Block Jumper, 32 A *		
	M360-14, 208–240 V	02.15.074.00	1
	M360-14, 230/400–240/415 V	---	
16	T-Block Stop	02.15.075.00	1
17	Terminal Block, 2 Position, Wago 2004-1201		
	M360-12, 208–240 V	02.15.069.00	2
	M360-14, 208–240 V	02.15.069.00	3
	M360-12, 220–240, 230 V	02.15.069.00	2
	M360-12/M360-14, 230/400–240/415 V	---	
18	Terminal Block, 2 Position Wago 2010-1201		
	M360-12/M360-14, 208–240 V	02.15.068.00	2
	M360-12, 220–240, 230 V	02.15.068.00	2
	M360-12/M360-14, 230/400–240/415 V	---	

* Model M360-14 only.

The shaded areas contain information for **International models only**.

NOTE: The last four digits in a ten digit numerical serial number are the manufacturing date code: 962506**1404**

Year 2014 ———
Week Four ———

Item	Description	Part Number	Qty.
19	T-Block Insulator		
	M360-12/M360-14, 208–240 V	02.15.070.00	2
	M360-12, 220–240, 230 V	02.15.070.00	2
	M360-12/M360-14, 230/400–240/415 V	---	
20	Mini Circuit Breaker, 15 A	02.03.079.00	2
21	Locking Shaft *	02.19.236.00	1
22	Disconnect Switch (includes items 21 and 24) *	R02.19.234.00	1
23	Access Cover, Breaker	0802-3061	1
24	Knob, Red-Yellow ON/OFF Switch *	05.30.202.00	1
25	Top Cover		
	M360-12	0801-2014	1
	M360-14	0802-2014	1
26	Canopy Cover		
	M360-12	0801-3051	1
	M360-14	0802-3051	1
27	Gear, 18 Teeth	05.09.063.00	1
28	Drive Motor	02.12.132.00	1
29	Cooling Fan	02.12.190.00	1
30	Proximity Switch Assembly	R02.18.561.00	1
31	Access Cover, Blower	0802-3066	1
32	Blower Wheel Assembly		
	M360-12	R02.12.134.00	2
	M360-14	R02.12.130.00	2
33	Blower Motor Kit		
	M360-12	R02.12.123.00	2
	M360-14	R02.12.128.00	2
34	Blower Housing Assembly		
	M360-12	R02.12.135.00	2
	M360-14	R02.12.131.00	2
35	Thermocouple, 60" Leads	02.01.436.00	1
36	Terminal Block, 3 Position (not shown)		
	M360-12/M360-14, 208–240 V	---	
	M360-12, 220–240, 230 V	---	
	M360-12/M360-14, 230/400–240/415 V	02.15.071.00	4
37	T-Block Insulator, Wago 2004-1391 (not shown)		
	M360-12/M360-14, 208–240 V	---	
	M360-12, 220–240, 230 V	---	
	M360-12/M360-14, 230/400–240/415 V	02.15.072.00	1

Legacy Electrical Parts

The electrical parts listed below are for units with a date code of **1647** or older.

Item	Description	Part No.	Qty.
1	Mini Circuit Breaker, 25 A, 208–240 V *	02.03.081.00	1
2	Fuse Holder (CE only)	02.03.082.00	4
3	Fuse (CE only)	02.03.073.00	4

Ovention, Inc.
P.O. Box 340500
Milwaukee, WI 53234-0500 U.S.A.
855-298-OVEN(6836)
connect@oventionovens.com
partsandservice@oventionovens.com
www.oventionovens.com

