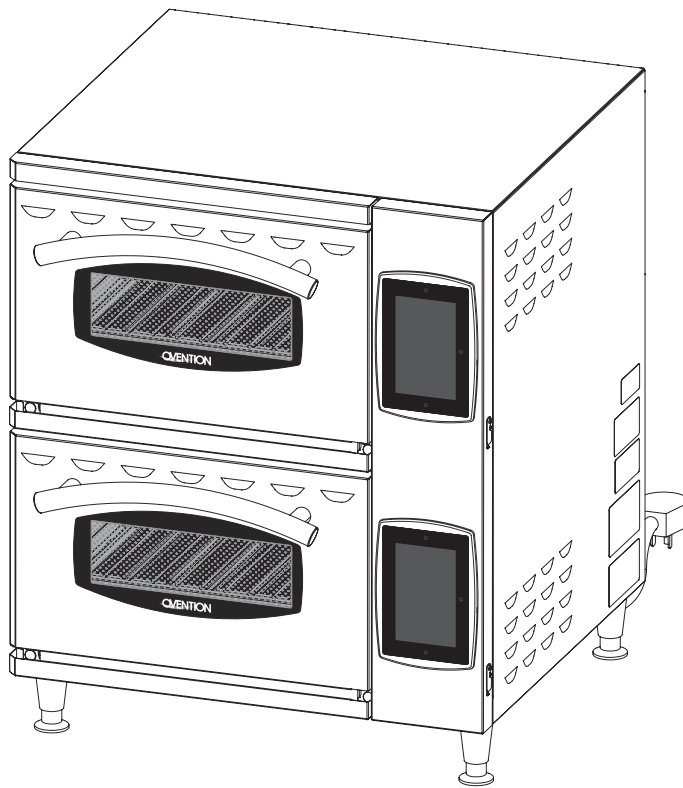




Double MiLO[®] Oven

Model: MiLO2-16



Replacement Parts List

IMPORTANT NOTE:

Locate the Specification Label on unit to determine exact Model Name and electrical specifications. This information is needed to identify the correct replacement parts. See exploded view illustration(s) for Specification Label location.

⚠ CAUTION

Use of replacement parts other than those supplied by Ovention may result in damage to unit or injury to personnel and will void all warranties.

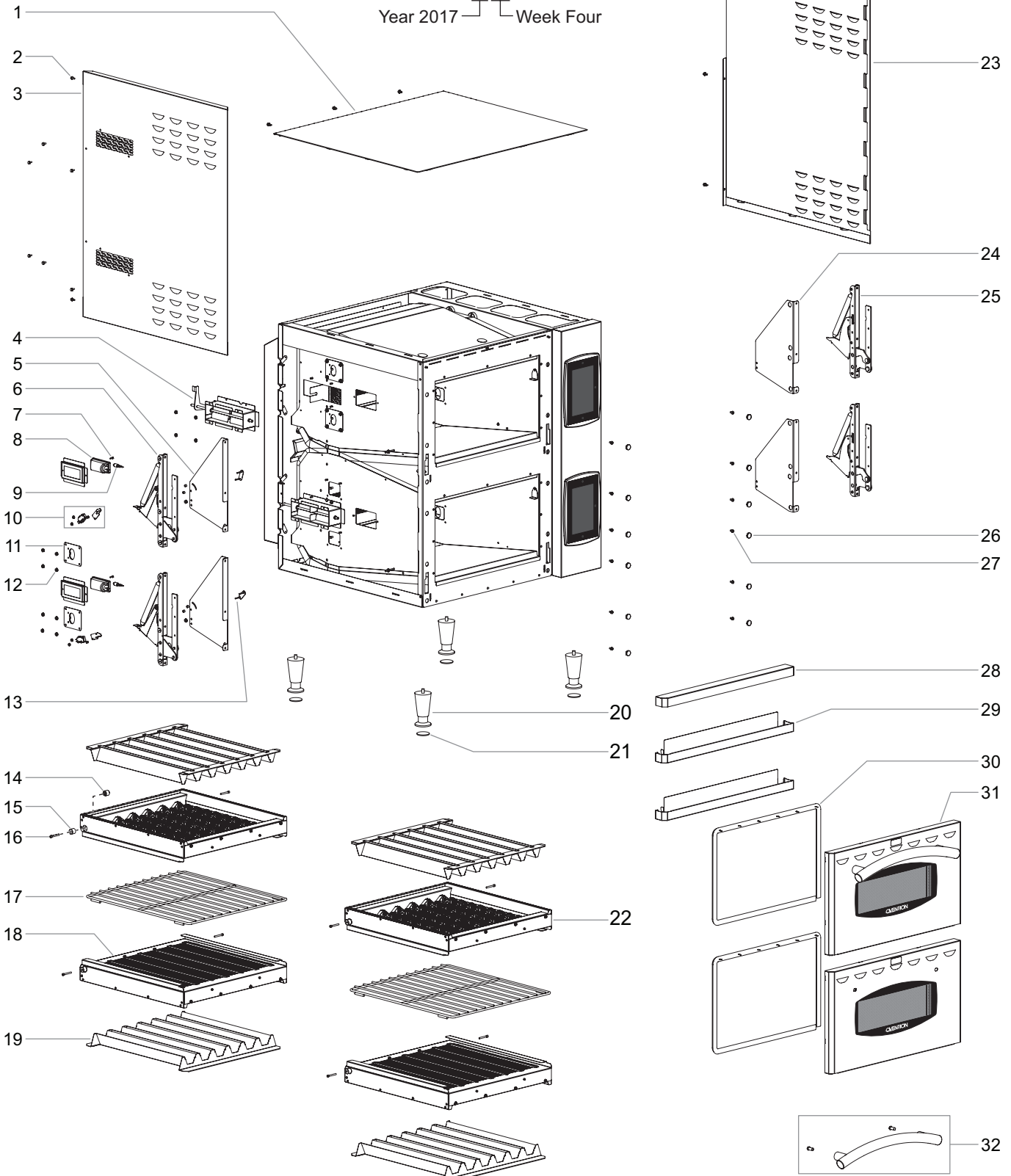


Need help?
Call our toll-free
Ovention Hotline
855-298-OVEN(6836)

Ovention® Double MiLO® Oven — Model MiLO2-16

Main Assembly Replacement Parts

NOTE: The last four digits in a ten digit numerical serial number are the manufacturing date code: **9625061704**
 Year 2017 — Week Four



Item	Description	Part Number	Qty.
1	Cover Panel, Painted †	04.55.744.xx	1
2	Hex Screw w/Washer, 3/8"	05.04.771.00	32
3	Side Panel, Left, Painted †	04.55.544.xx	1
4	Baffle Assembly	04.55.548.00	2
5	Hinge Shroud, Left	04.55.324.00	2
6	Hinge Assembly, Left	R05.12.015.00	2
7	Screw, Light Housing	05.04.763.00	2
8	Housing, Light	02.30.233.00	2
9	Light Bulb	02.30.282.00	2
10	Micro Switch Assembly	R02.19.271.00	4
11	IR Cavity Support Assembly	04.55.599.00	8
12	Nut, Mounting	05.04.023.00	32
13	Switch Mount Assembly	04.55.457.00	4
14	Ceramic IR Connector, Male	04.55.596.00	8
15	Ceramic IR Connector, Female	04.55.597.00	8
16	Hinge Screw, Jet Pack	05.04.967.00	8
17	Cook Rack	04.55.541.00	2
18	Lower Jet Pack Assembly		
	1Φ, US	R04.55.590.00	2
	3Φ, USCA	R04.55.590.03	2

Item	Description	Part Number	Qty.
19	Crumb Tray	04.55.594.00	4
20	Leg, 4"	05.30.196.00	4
21	Foot Pad, Non-Skid	05.06.198.00	4
22	Upper Jet Pack Assembly *		
	1Φ, US	R04.55.590.01	2
	3Φ, USCA	R04.55.590.04	2
23	Side Panel, Right, Painted †	04.55.543.xx	1
24	Hinge Shroud, Right	04.55.325.00	2
25	Hinge Assembly, Right	05.12.016.00	2
26	Snap Plug	02.20.043.00	12
27	Hex Screw	05.04.659.00	12
28	Front Cover, Painted †	04.55.838.xx	1
29	Grease Tray, Painted †	04.55.837.xx	2
30	Gasket, Door	05.06.192.00	10'
31	Door Assembly Left, Painted † (includes item 32)	R04.55.839.xx	2
32	Handle Assembly	R05.30.305.00	2
	Wiring Diagram	10-01-1365	

Φ = Phase

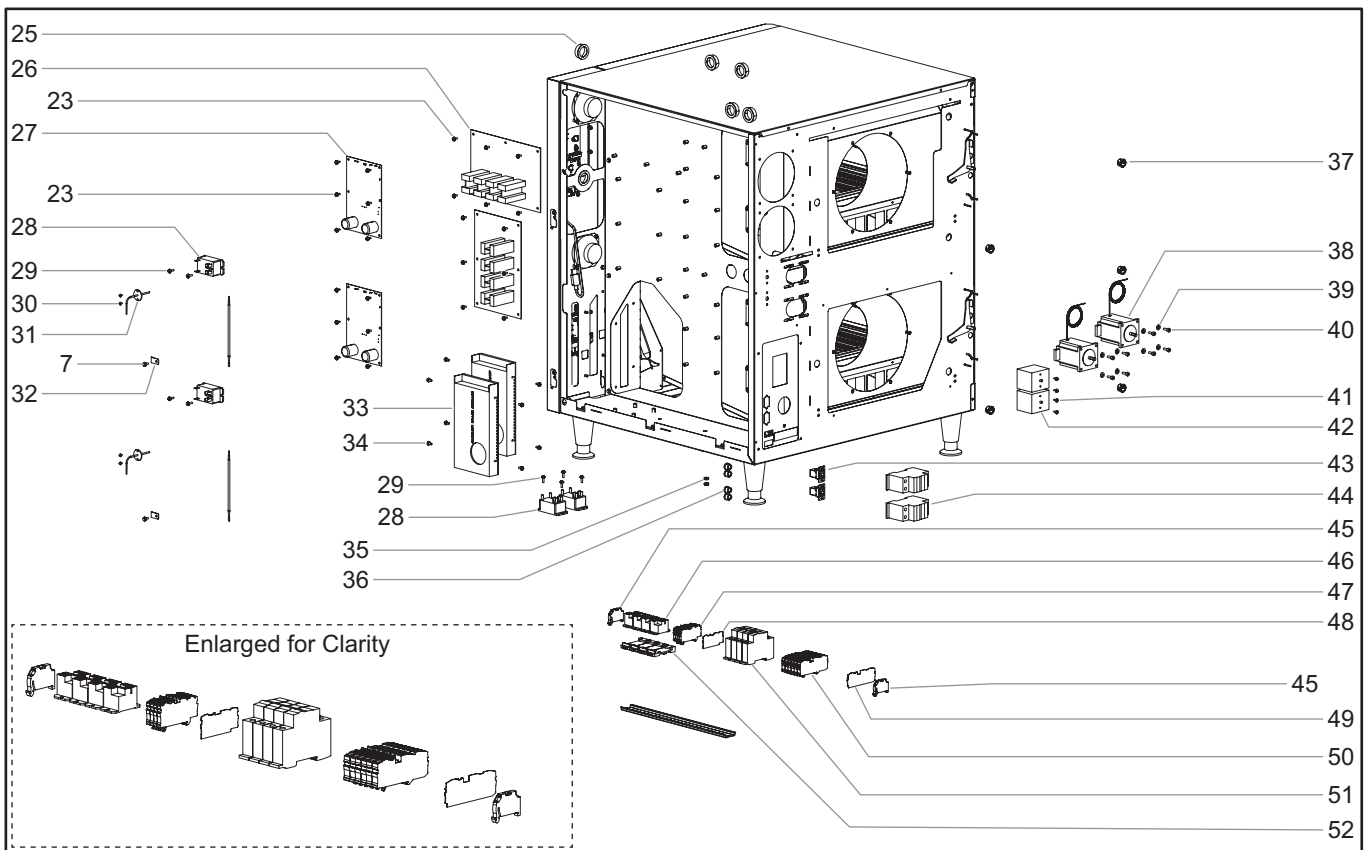
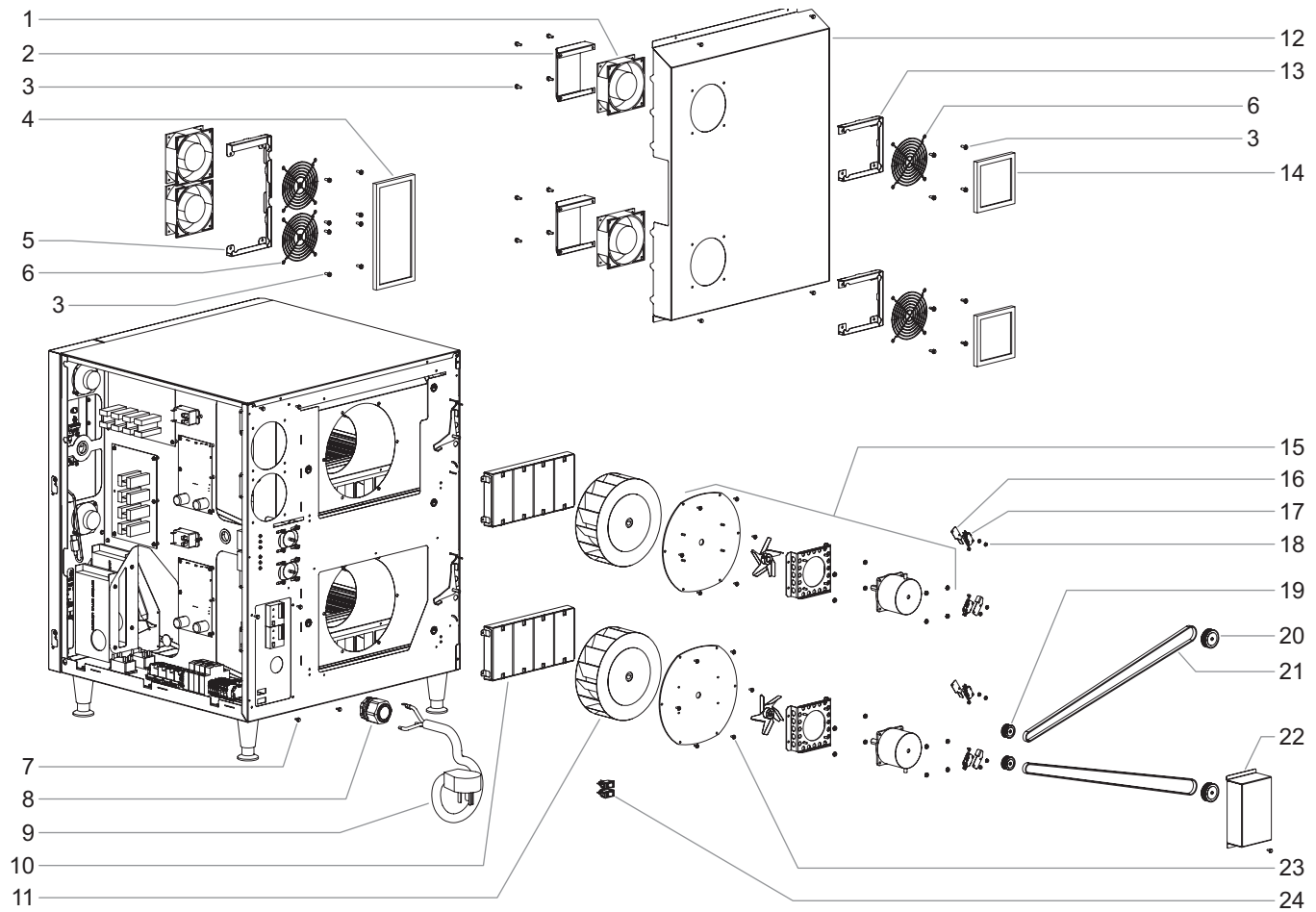
* For units with date code **1849** and older, use Jet Pack Assembly P/N R04.55.590.00

† Use one of the following suffixes for the appropriate painted part:

“.01” = Black	“.47” = Blueberry
“.42” = Candy Apple	“.48” = Blue Curacao
“.43” = Lemon	“.49” = Seaweed
“.44” = Mac and Cheese	“.50” = Lime
“.45” = Sweet Potato	“.51” = Graphite
“.46” = Burnt Orange	“.52” = Black Licorice

Ovention® Double MiLO® Oven — Model MiLO2-16

Rear and Side Component Replacement Parts



Item	Description	Part Number	Qty.
1	Cooling Fan	02.12.148.00	4
2	Air Diverter	04.55.568.00	2
3	Hex Screw w/Washer, 1/2"	05.04.772.00	24
4	Air Filter, 10-1/4"	04.55.001.00	1
5	Filter Holder, Large	0701-3375	1
6	Finger Guard	02.12.063.00	4
7	Hex Screw w/Washer, 3/8"	05.04.771.00	19
8	Cord Grip	02.20.509.00	1
9	Power Cord w/Plug		
	NEMA 6-50P, 1Φ	02.18.557.00	1
	NEMA 15-50P, 3Φ	02.18.676.00	1
10	Catalyst Pack Assembly	R04.55.563.00	2
11	Blower Wheel	R02.12.177.00	2
12	Back Panel Cover	04.55.542.00	1
13	Filter Holder, Small	0802-3079	2
14	Air Filter, 5"	04.55.056.00	2
15	Blower Motor Kit (includes item 23)	R02.12.161.00	2
16	Switch Bracket	04.55.649.00	4
17	Micro Switch Assembly (includes items 16 and 18)	R02.19.271.00	4
18	Nut, Switch	05.04.770.00	8
19	Timing Pulley	04.55.026.00	2
20	Drive Pulley	04.55.619.00	2
21	Timing Belt	04.55.545.00	2
22	Motor Cover	04.55.518.00	1
23	Screw, 3/8"	05.04.760.00	41
24	Rocker Switch	02.19.161.00	2
25	Snap Bushing, 1-1/4"	02.20.442.00	5
26	Relay Board	02.01.535.00	2
27	Control Board	02.01.464.00	2

Item	Description	Part Number	Qty.
28	Relay, DPST	02.01.495.00	4
29	Screw, 1/2"	05.04.759.00	8
30	Screw, 1/4"	05.04.763.00	4
31	Thermocouple	02.01.377.00	2
32	High Limit Hold Down Clamp *	0701-3349	2
33	Power Supply, Switching	02.17.072.00	2
34	Hex Screw	05.04.659.00	8
35	Nut	05.04.064.00	2
36	Snap Bushing, 1/2"	02.20.205.00	4
37	Snap Bushing, 5/8"	02.20.213.00	5
38	Stepper Motor	02.12.132.00	2
39	Flat Washer	05.11.046.00	8
40	Screw, Socket Cap	05.04.774.00	8
41	Screw, Thermal Cutoff	05.04.773.00	4
42	Thermal Cutoff	02.16.204.00	2
43	RJ45 Connector	02.20.516.00	2
44	Mini Circuit Breaker, 32A †	02.03.090.00	2
45	T-Block Stop	02.15.075.00	2
46	Relay, SPDT	02.01.466.00	4
47	Terminal Block, 3 Position, Wago 2004-1301	02.15.071.00	4
48	T-Block Insulator, Wago 2004-1391	02.15.072.00	1
49	T-Block Insulator, Wago 2010-1391	02.15.082.00	1
50	Terminal Block, 3 Position, Wago 2010-1301	02.15.081.00	6
51	Mini Circuit Breaker, 15 A	02.03.079.00	4
52	DIN Rail Clip	02.01.465.00	4

NOTE: The last four digits in a ten digit numerical serial number are the manufacturing date code: 962506**1704**

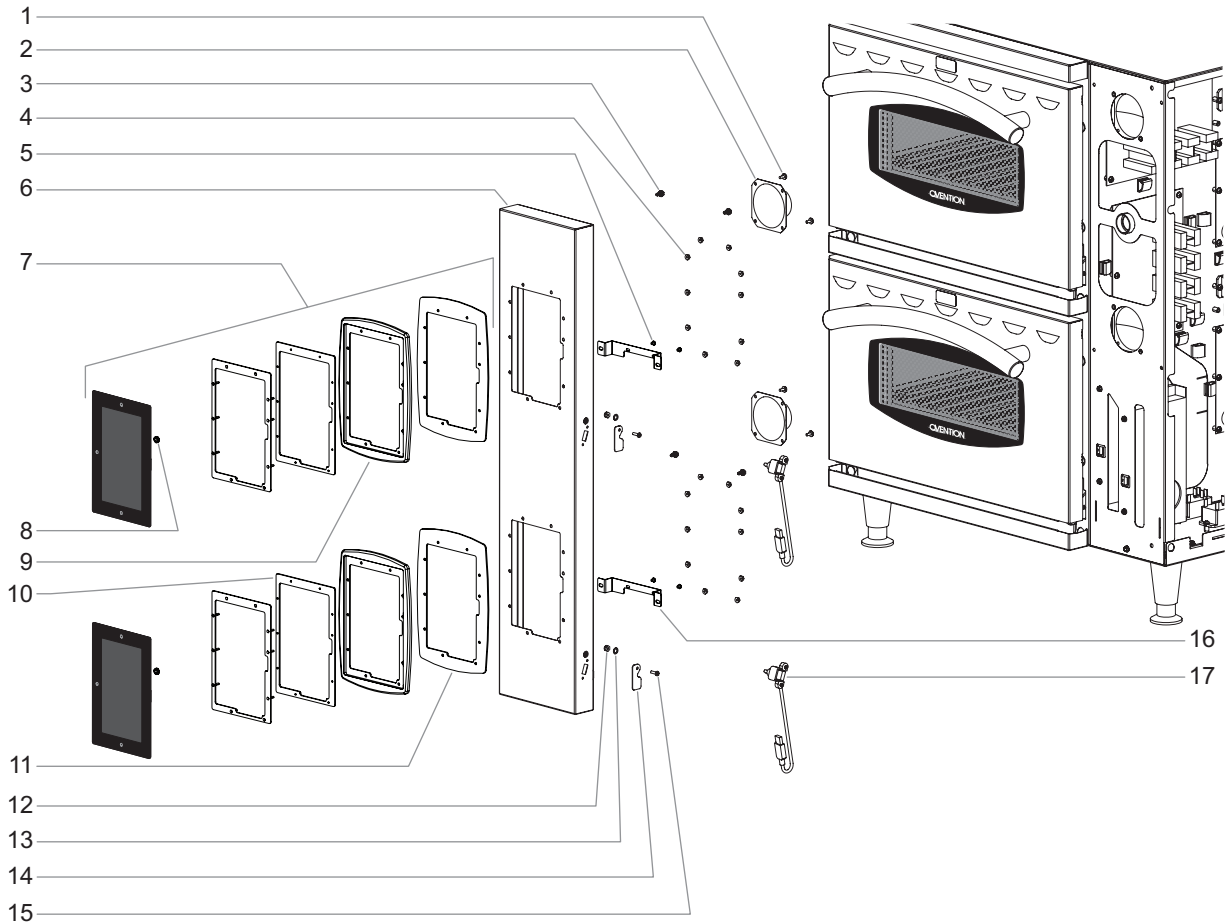
Year 2017 ————
Week Four ————

Φ = Phase

† For units with date code **2137** and older, use GFCI Switch Replacement kit P/N R02.03.090.02, quantity of 1.

Ovention® Double MiLO® Oven — Model MiLO2-16

Control Compartment Replacement Parts



Item	Description	Part Number	Qty.
1	Screw, 3/8"	05.04.760.00	4
2	Speaker w/Leads	02.18.814.00	2
3	Hex Screw w/Washer, 3/8"	05.04.771.00	4
4	Lock Nut, Controller Assembly	05.04.770.00	20
5	Screw, 5 mm	05.04.1008.00	4
6	Controller Housing, Painted †	04.55.836.xx	1
7	Touchscreen Controller Assembly (includes items 4, 5, 8–11, and 16)	R02.01.514.02	2
8	Battery	02.20.547.00	2
9	LCD Bezel	04.55.665.00	2

Item	Description	Part Number	Qty.
10	Gasket, Screen Mount	05.06.258.00	2
11	Gasket, LCD Bezel	05.06.257.00	2
12	Lock Nut, USB Cover	05.04.664.00	2
13	Washer, USB Cover	05.04.852.00	2
14	USB Cover	04.55.674.00	2
15	Screw, USB Cover	05.04.214.00	2
16	Bracket, Controller	04.55.1212.00	2
17	USB Cable, 20"	02.20.515.00	2

† Use one of the following suffixes for the appropriate painted part:

- | | |
|------------------------|------------------------|
| “.01” = Black | “.47” = Blueberry |
| “.42” = Candy Apple | “.48” = Blue Curacao |
| “.43” = Lemon | “.49” = Seaweed |
| “.44” = Mac and Cheese | “.50” = Lime |
| “.45” = Sweet Potato | “.51” = Graphite |
| “.46” = Burnt Orange | “.52” = Black Licorice |

Ovention, Inc.
P.O. Box 340500
Milwaukee, WI 53234-0500 U.S.A.
855-298-OVEN(6836)
connect@oventionovens.com
partsandservice@oventionovens.com
www.oventionovens.com



Need help?
Call our toll-free
Ovention Hotline
855-298-OVEN(6836)