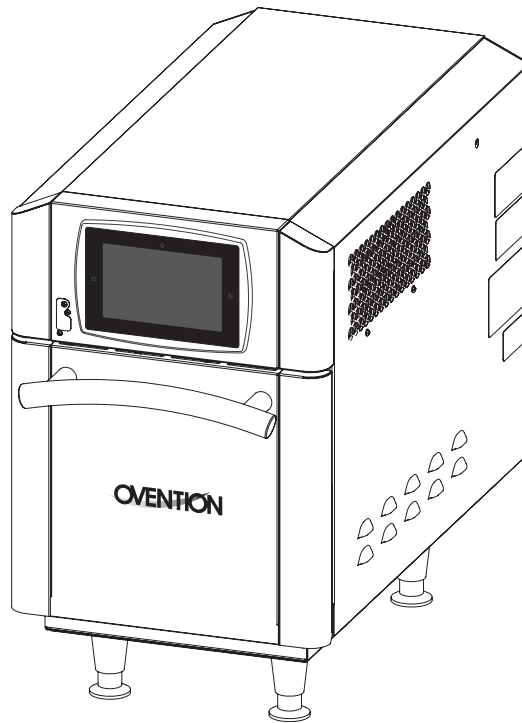




MISA[®]

Microwave Speed-Assist Oven

Model: MiSA-a12



Replacement Parts List

IMPORTANT NOTE:

Locate the Specification Label on unit to determine exact Model Name and electrical specifications. This information is needed to identify the correct replacement parts. See exploded view illustration(s) for Specification Label location.

CAUTION

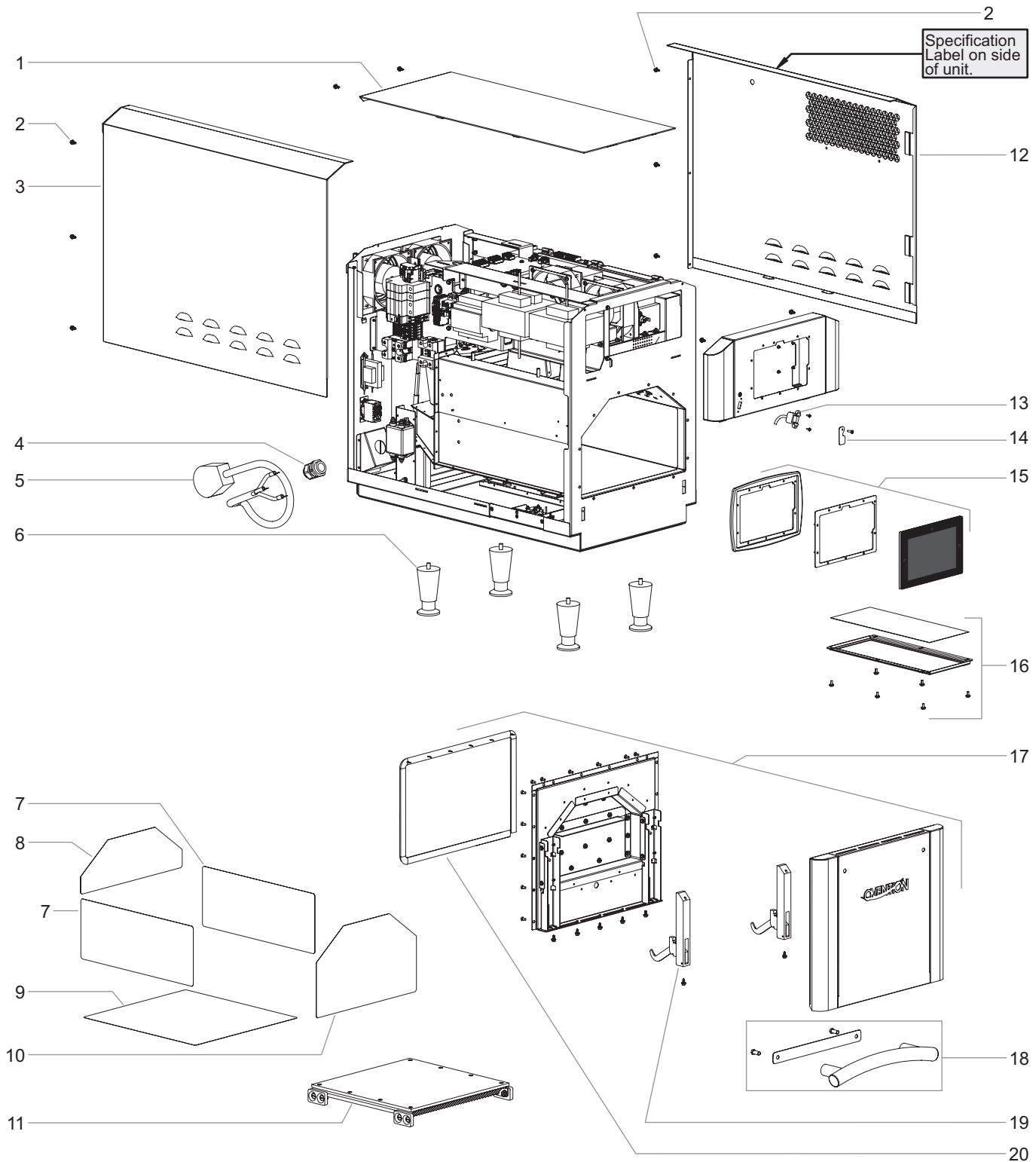
Use of replacement parts other than those supplied by Ovention may result in damage to unit or injury to personnel and will void all warranties.



Need help?
Call our toll-free
Ovention Hotline
855-298-OVEN(6836)

Ovention® MiSA® Oven — Model MiSA-a12

Main Assembly Replacement Parts



NOTE: The last four digits in a ten digit numerical serial number are the manufacturing date code:
 962506**1704**

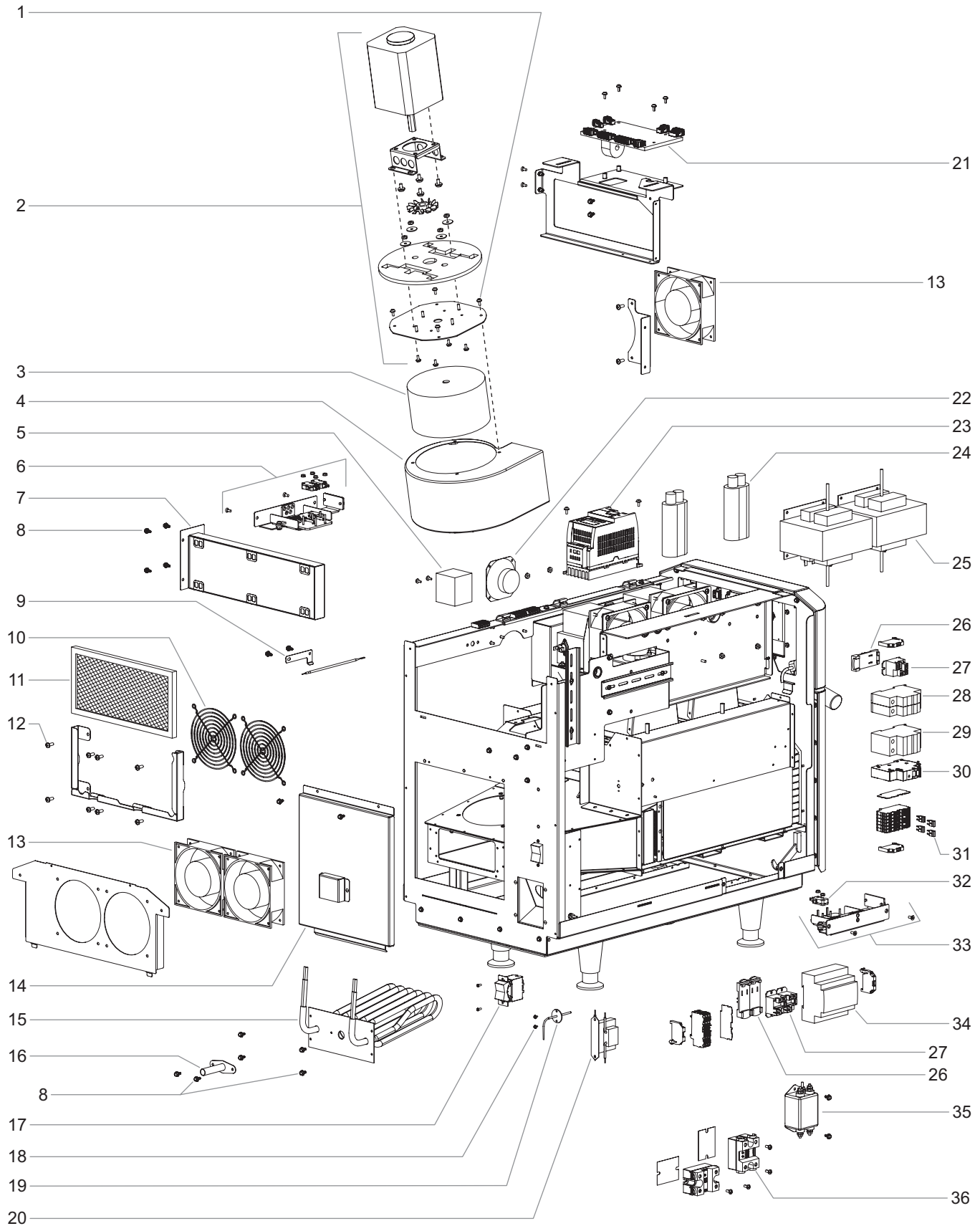
Year 2017 — Week Four

Item	Description	Part Number	Qty.
1	Top Panel	04.55.906.00	1
2	Hex Screw w/Washer, 3/8"	05.04.771.00	43
3	Side Panel, Left	04.55.907.00	1
4	Cord Grip	02.20.290.00	1
5	Power Cord w/Plug	02.18.601.00	1
6	Leg, 4"	05.30.196.00	4
7	Teflon Side	R05.30.358.00	2
8	Teflon Rear	R05.30.360.00	1
9	Teflon Bottom	R05.30.359.00	1
10	Teflon Door	R05.30.357.00	1
11	Cook Plate	R04.55.1003.00	1

Item	Description	Part Number	Qty.
12	Side Panel, Right	04.55.908.00	1
13	USB Cable, 20"	02.20.435.00	1
14	USB Cover	04.55.674.00	1
15	Touchscreen Controller Assembly	R02.01.562.MISA	
16	Magnetron Divider Assembly	R04.55.1004.00	1
17	Door Assembly (includes items 18, 19, 20)	R04.55.892.00	1
18	Handle Assembly	R05.30.361.00	1
19	Door Hinge	05.12.021.00	2
20	Door Gasket, Fiberglass *	05.06.219.00	4'
	Wiring Diagram	10-01-1618	

* Quantity measured in feet.

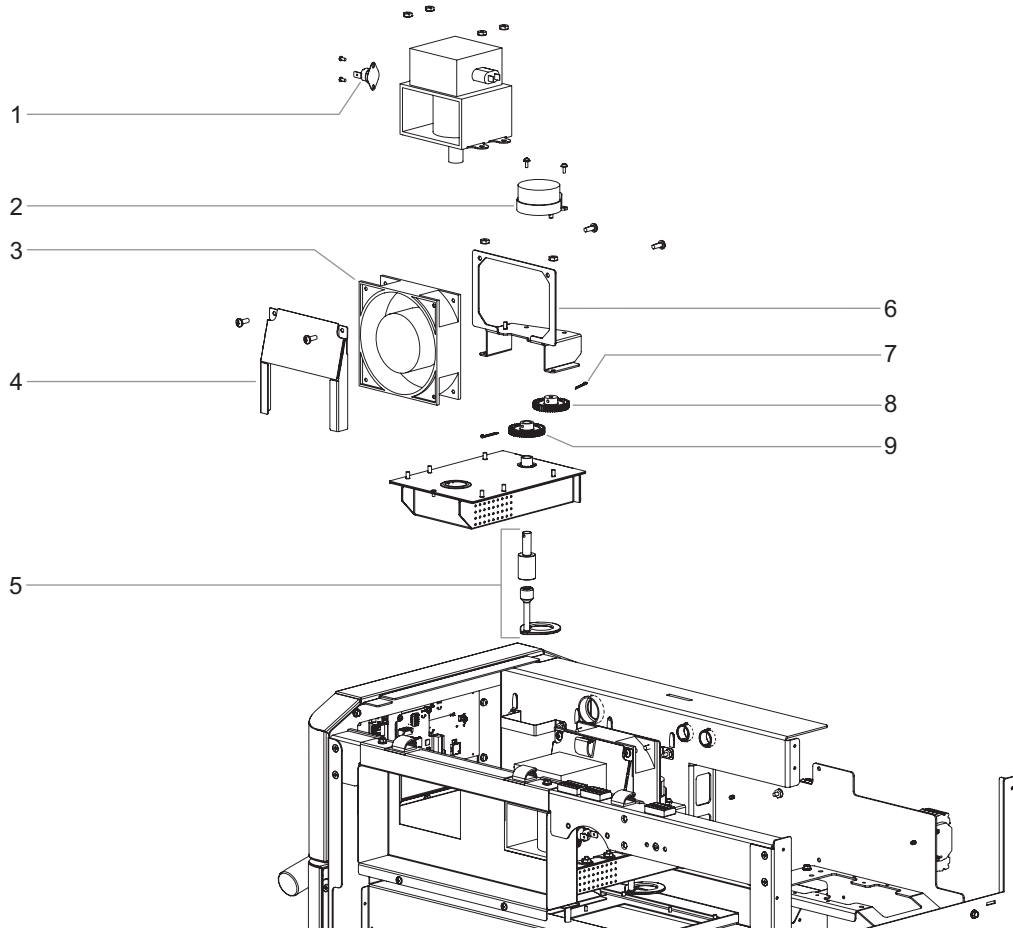
Ovention® MiSA® Oven — Model MiSA-a12
Rear and Side Component Replacement Parts



Item	Description	Part Number	Qty.
1	Screw, 3/8"	05.04.760.00	12
2	Blower Motor Kit	R02.12.123.01	1
3	Blower Wheel	R02.12.130.00	1
4	Blower Housing	R02.12.131.00	1
5	Thermal Cutoff	02.16.204.00	1
6	Micro Switch Assembly, Right (includes two of item 32)	R04.55.1000.RH	1
7	Catalyst Pack Assembly	04.55.978.00	1
8	Hex Screw w/Washer, 3/8"	05.04.771.00	35
9	High Limit Hold Down Clamp	0701-3349	1
10	Finger Guard	02.12.063.00	2
11	Air Filter, 10-1/4"	04.55.001.00	1
12	Screw, 1/2"	05.04.828.00	8
13	Cooling Fan	02.12.205.00	3
14	Rear Panel	04.55.896.00	1
15	Heating Element w/Mounting Plate	02.09.349.00	1
16	Vent Tube	04.55.930.00	1
17	Power Switch, 30 A	02.19.297.00	1
18	Screw, 1/4"	05.04.763.00	2

Item	Description	Part Number	Qty.
19	Thermocouple	02.01.377.00	1
20	Transformer, Voltage Sense	02.17.023.00	1
21	Control Board	R02.01.571.00	1
22	Speaker w/Leads	02.18.1184.00	1
23	Motor Controller, V20	R02.01.609.00	1
24	Capacitor	02.13.370.00	2
25	Transformer, High Voltage	02.17.081.00	2
26	DIN Rail Clip	02.01.465.00	3
27	Relay, SPDT	02.01.466.00	3
28	Mini Circuit Breaker, 15 A	02.03.079.00	2
29	Mini Circuit Breaker, 15 A	02.03.087.00	1
30	Shunt	02.03.086.00	1
31	T-Block Jumper, 32 A	02.15.074.00	5
32	Micro Switch	R02.19.271.01	3
33	Micro Switch Assembly, Left (includes one of item 32)	R04.55.1000.LH	1
34	Power Supply	02.17.066.00	1
35	EMI Filter	02.13.371.00	1
36	Relay	02.01.458.00	2

Ovention® MiSA® Oven — Model MiSA-a12
Microwave Replacement Parts



Item	Description	Part Number	Qty.
1	Thermal Disc	02.16.224.00	2
2	Waveguide Motor	R02.12.199.00	2
3	Cooling Fan	04.55.205.00	2
4	Fan Air Diverter	04.55.910.00	2
5	Stirrer Antenna Assembly	R04.55.884.00	2

Item	Description	Part Number	Qty.
6	Bracket, Stirrer Motor	04.55.888.00	2
7	Cotter Pin	05.04.1065.00	4
8	Gear, 3/16 (includes item 8)	R05.09.073.00	2
9	Gear, 3/8 (includes item 8)	R05.09.072.00	2

*NOTE: The last four digits in a ten digit numerical serial number are the manufacturing date code: 962506**1704***

Year 2017 ———
 Week Four ———

Ovention, Inc.
P.O. Box 340500
Milwaukee, WI 53234-0500 U.S.A.
855-298-OVEN(6836)
connect@oventionovens.com
partsandservice@oventionovens.com
www.oventionovens.com



Need help?
Call our toll-free
Ovention Hotline
855-298-OVEN(6836)