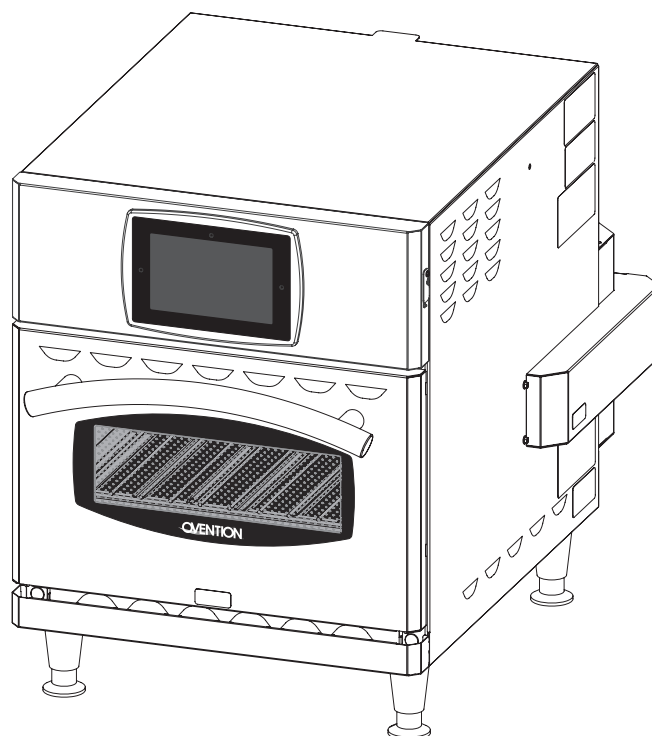




# Single MiLO™ Oven

## Model: MiLO-14



## Replacement Parts List

### IMPORTANT NOTE:

Locate the Specification Label on unit to determine exact Model Name and electrical specifications. This information is needed to identify the correct replacement parts. See exploded view illustration(s) for Specification Label location.

**⚠ CAUTION**

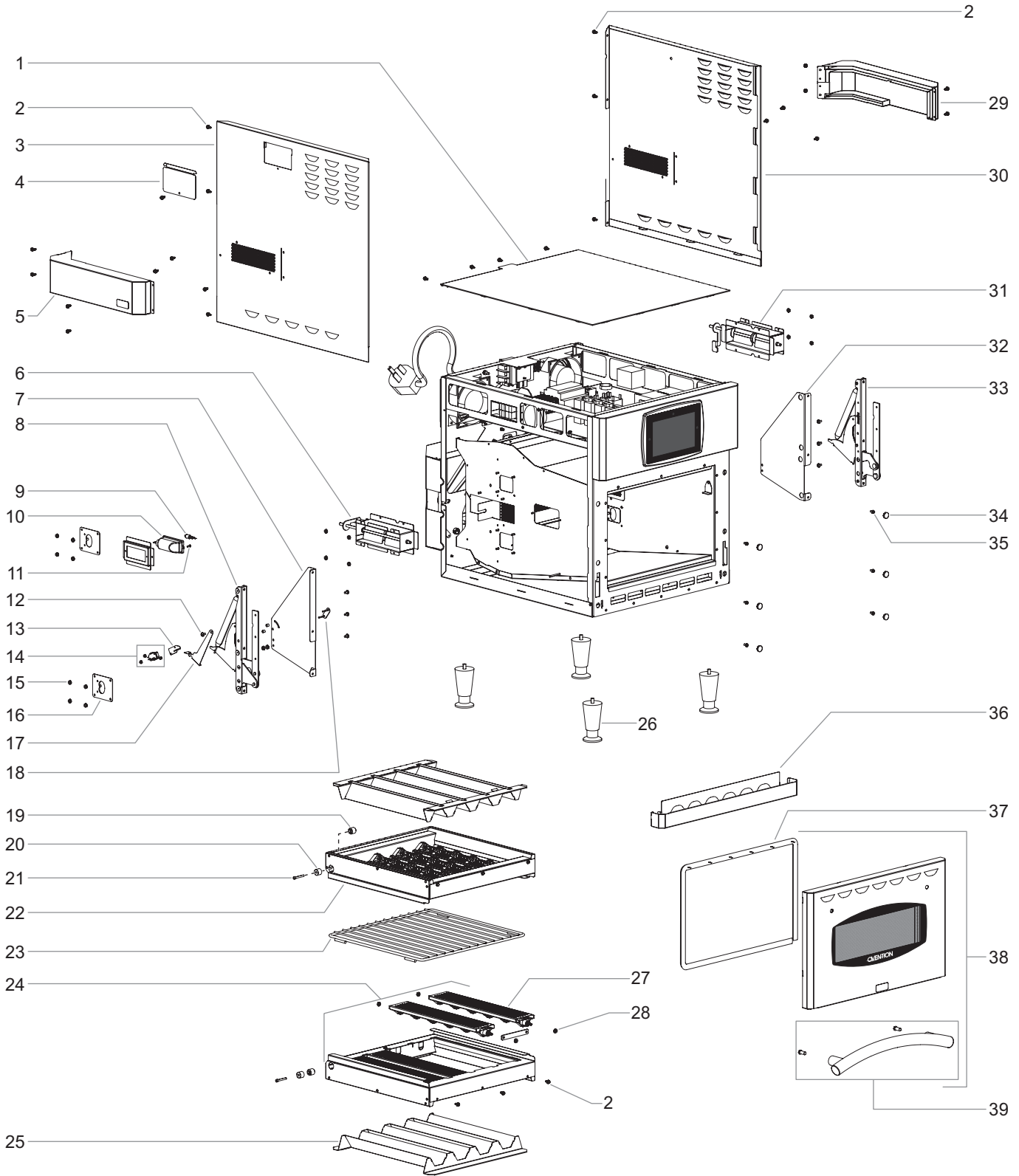
Use of replacement parts other than those supplied by Ovention may result in damage to unit or injury to personnel and will void all warranties.



**Need help?**

Call our 24 hour, toll-free  
**Ovention Hotline**  
**855-298-OVEN(6836)**

**Ovention® Single MiLO™ Oven — Model MiLO-14**  
**Main Assembly Replacement Parts**



**NOTE:** The last four digits in a ten digit numerical serial number are the manufacturing date code: 962506**1404**

Year 2014

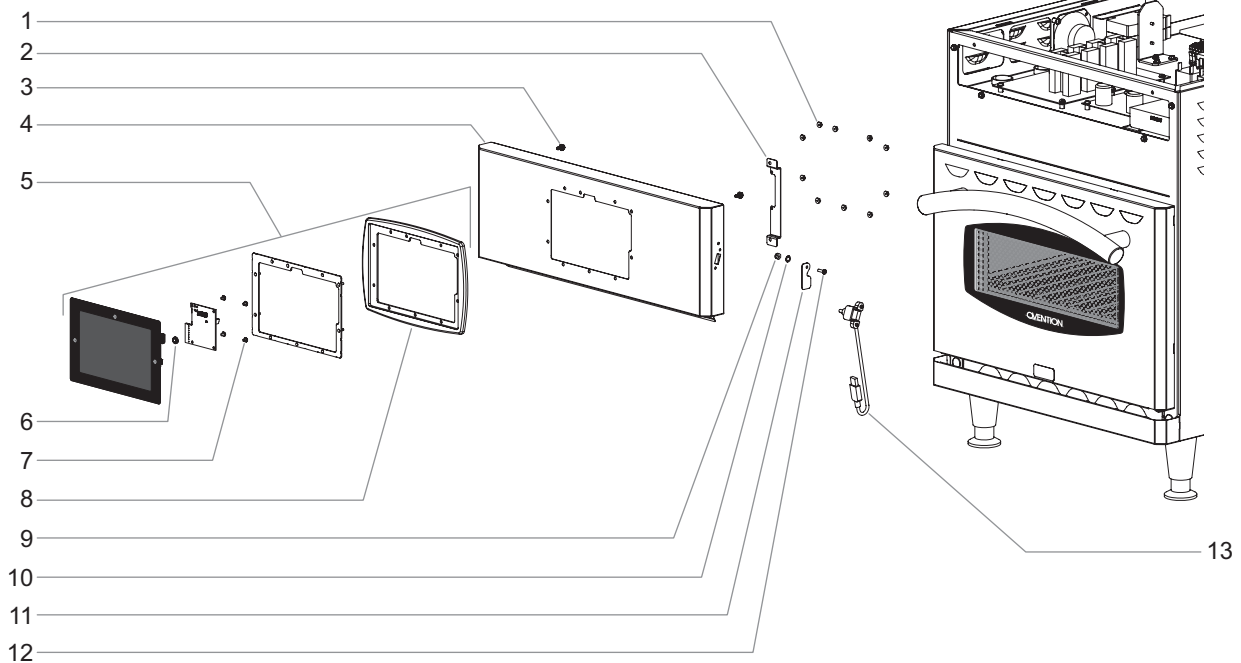
Week Four

Item	Description	Part Number	Qty.
1	Cover Panel	04.55.687.00	1
2	Hex Screw w/Washer, 3/8"	05.04.771.00	31
3	Access Panel, Breaker	04.55.690.00	1
4	Side Panel, Left	04.55.683.00	1
5	Vent Cover Assembly, Left	04.55.746.00	1
6	Baffle Assembly, Left	04.55.381.00	1
7	Hinge Shroud, Left	04.55.324.00	1
8	Hinge Assembly, Left	R05.12.015.00	1
9	Light Bulb	02.30.282.00	1
10	Housing, Light	02.30.233.00	1
11	Screw, Light Housing	05.04.255.00	1
12	Screw, Hinge Stop	05.04.761.00	1
13	Bracket, Micro Switch	04.55.649.00	1
14	Micro Switch Assembly	R02.19.271.00	1
15	Nut, Mounting	05.04.023.00	24
16	IR Cavity Support Assembly	04.55.599.00	4
17	Hinge Stop	04.55.691.00	1
18	Switch Mount Assembly	04.55.457.00	1
19	Ceramic IR Connector, Male	04.55.596.00	4
20	Ceramic IR Connector, Female	04.55.597.00	4
21	Hinge Screw, Jet Pack	05.04.967.00	4

Item	Description	Part Number	Qty.
22	Upper Jet Pack Assembly * (includes items 2, 27, and 28)	R04.55.361.01	1
23	Cook Rack	04.55.434.00	1
24	Lower Jet Pack Assembly (includes items 2, 27, and 28)	R04.55.361.00	1
25	Crumb Tray	04.55.362.00	2
26	Leg, 4"	05.30.196.00	4
27	Element Pack, 800 W	R04.55.363.00	8
28	Nut, Element	05.04.839.00	16
29	Vent Cover Assembly, Right	04.55.747.00	1
30	Side Panel, Right	04.55.685.00	1
31	Baffle Assembly, Right	04.55.669.00	1
32	Hinge Shroud, Right	04.55.325.00	1
33	Hinge Assembly, Right	R05.12.016.00	1
34	Snap Plug	02.20.043.00	6
35	Hex Screw	05.04.659.00	6
36	Grease Tray	04.55.680.00	1
37	Gasket, Door	05.06.192.00	5'
38	Door Assembly (includes items 37 and 39)	R04.55.681.00	1
39	Handle Assembly	R05.30.305.00	1
	Wiring Diagram	10-01-1465	

\* For units with date code **1849** and older, use Jet Pack Assembly P/N R04.55.361.00

### Control Compartment Replacement Parts

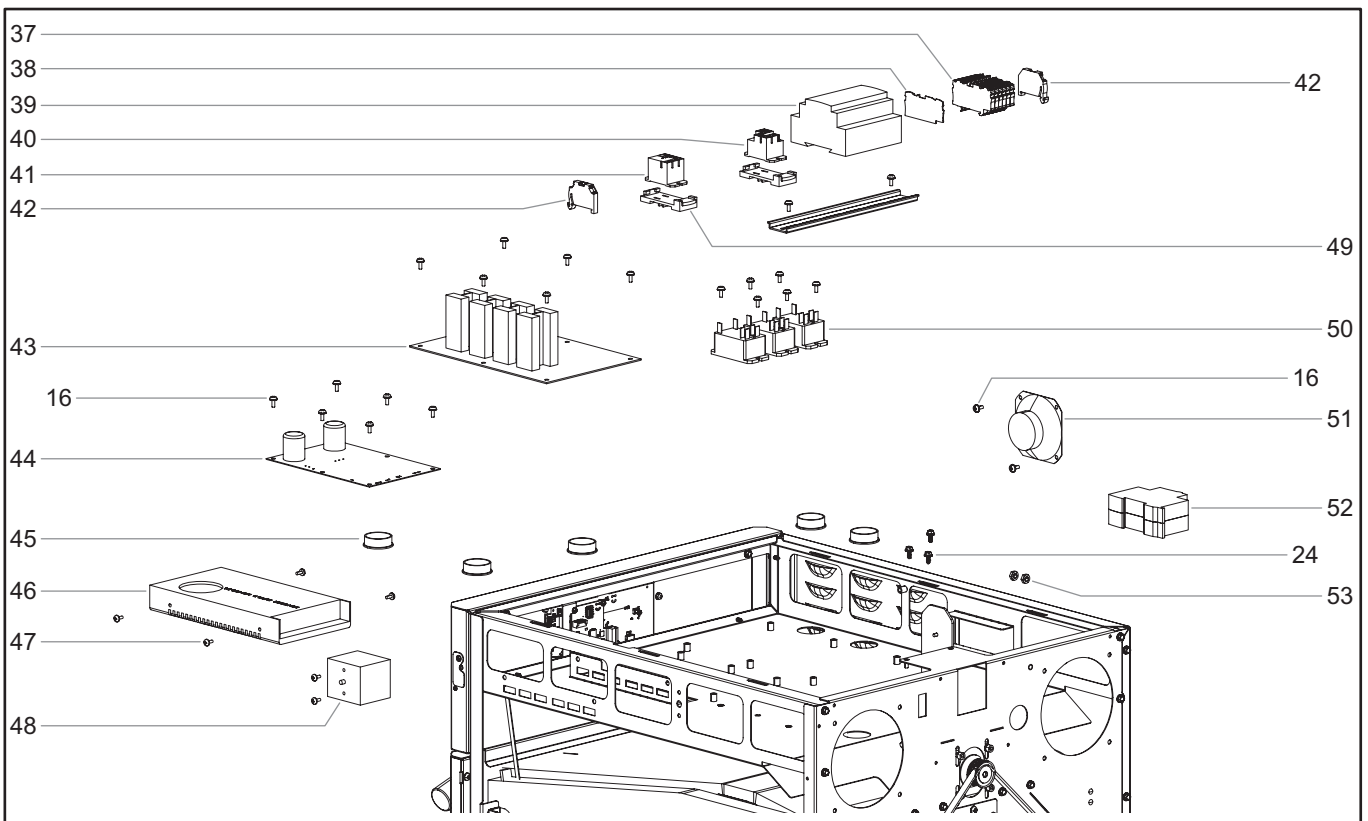
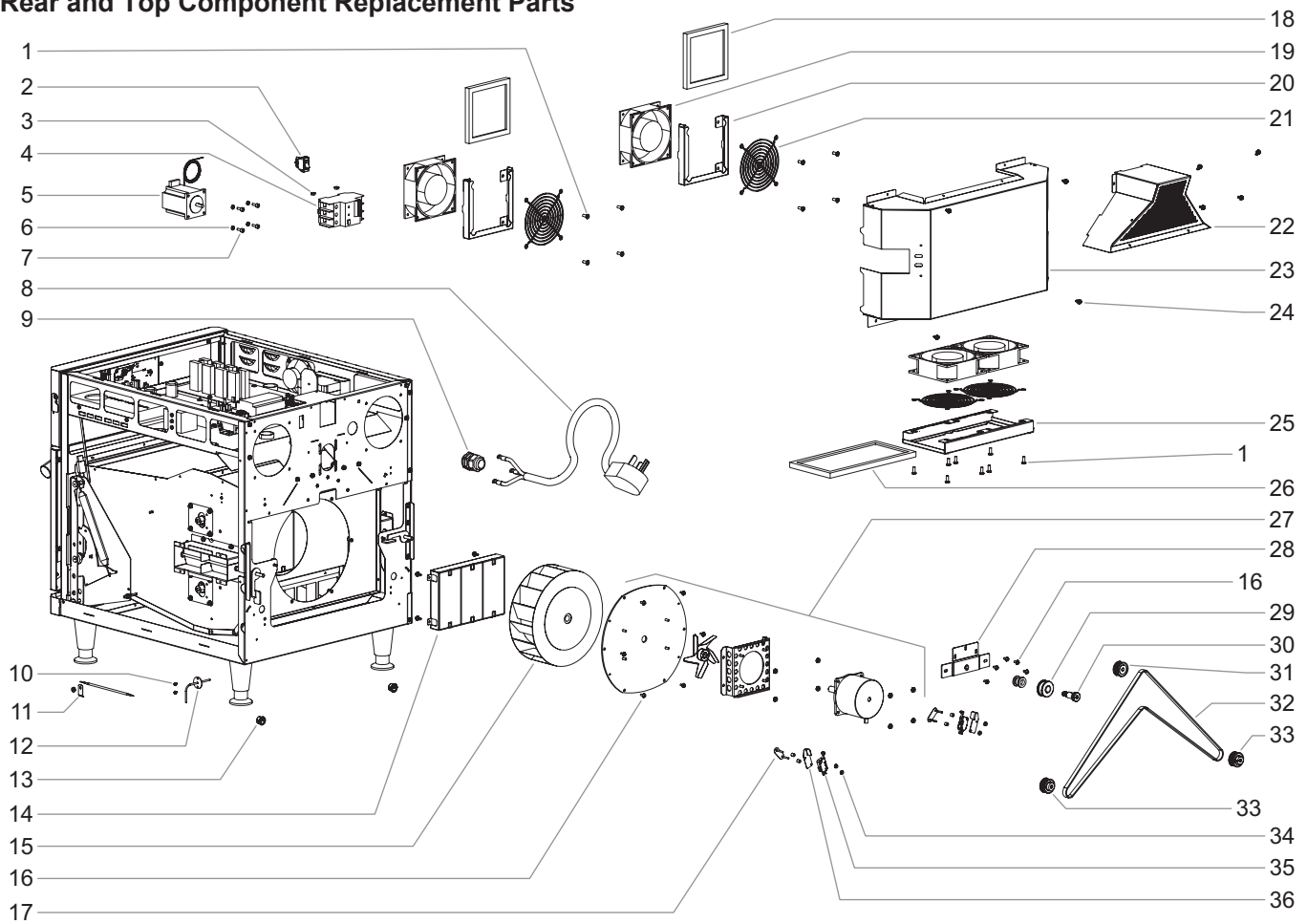


Item	Description	Part Number	Qty.
1	Lock Nut, Controller Assembly	05.04.770.00	10
2	Bracket, Controller	04.55.751.00	1
3	Hex Screw w/Washer, 3/8"	05.04.771.00	2
4	Controller Housing	04.55.478.00	1
5	Touchscreen Controller Assembly (includes items 1, 2, 6-8)	R02.01.514.01	1
6	Battery	02.20.547.00	1

Item	Description	Part Number	Qty.
7	Screw, 5 mm	05.04.1008.00	4
8	LCD Bezel	04.55.665.00	1
9	Lock Nut, USB Cover	05.04.664.00	1
10	Washer, USB Cover	05.04.852.00	1
11	USB Cover	04.55.674.00	1
12	Screw, USB Cover	05.04.214.00	1
13	USB Cable, 20"	02.20.515.00	1

# Ovention® Single MiLO™ Oven — Model MiLO-14

## Rear and Top Component Replacement Parts



Item	Description	Part Number	Qty.
1	Screw, 1/2"	05.04.828.00	16
2	Rocker Switch	02.19.161.00	1
3	Nut, GFCI	05.04.023.00	2
4	GFCI	02.01.490.00	1
5	Stepper Motor	02.12.132.00	1
6	Lock Washer	05.11.064.00	4
7	Screw, Socket Cap	05.04.774.00	4
8	Power Cord w/Plug	02.18.601.00	1
9	Cord Grip	02.20.290.00	1
10	Screw, 1/4"	05.04.763.00	2
11	High Limit Hold Down Clamp	0701-3349	1
12	Thermocouple	02.01.377.00	1
13	Snap Bushing, 5/8"	02.20.213.00	2
14	Catalyst Pack Assembly	R04.55.428.00	1
15	Blower Wheel	R02.12.177.00	1
16	Screw, 3/8"	05.04.760.00	33
17	Switch Mount Assembly	04.55.457.00	2
18	Air Filter, 5"	04.55.056.00	2
19	Cooling Fan	02.12.185.00	4
20	Filter Holder, Small	0802-3079	2
21	Finger Guard	02.12.063.00	4
22	Belt Cover	04.55.364.00	1
23	Rear Cover	04.55.311.00	1
24	Hex Screw w/Washer, 3/8"	05.04.771.00	15
25	Filter Holder, Large	04.55.750.00	1
26	Air Filter, 10-1/4"	04.55.001.00	1
27	Blower Motor Kit (includes item 16)	R02.12.161.00	1

Item	Description	Part Number	Qty.
28	Idler Bracket	04.55.382.00	1
29	Idler Pulley	04.55.383.00	1
30	Shoulder Screw	05.04.999.00	1
31	Timing Pulley, Upper	04.55.026.00	1
32	Timing Belt	04.55.380.00	1
33	Timing Pulley, Lower	04.55.719.00	2
34	Nut, Switch	05.04.770.00	4
35	Micro Switch Assembly (includes items 34 and 36)	R02.19.271.00	2
36	Switch Bracket	04.55.649.00	2
37	Terminal Block, 3 Position, Wago 2004-1301	02.15.071.00	6
38	T-Block Insulator, Wago 2004-1391	02.15.072.00	1
39	Power Supply	02.17.066.00	1
40	Relay, SPDT	02.01.466.00	1
41	Relay, SPST	02.01.512.00	1
42	T-Block Stop	02.15.075.00	2
43	Relay Board	02.01.535.00	1
44	Control Board	02.01.464.00	2
45	Snap Bushing, 1-1/4"	02.20.442.00	5
46	Power Supply, Switching	02.17.072.00	1
47	Screw, Stainless Steel	05.04.773.00	6
48	Thermal Cutoff	02.16.204.00	1
49	DIN Rail Clip	02.01.465.00	2
50	Relay, DPST	02.01.495.00	3
51	Speaker w/Leads	02.18.814.00	1
52	Mini Circuit Breaker, 15 A	02.03.079.00	2
53	Nut, Grounding	05.04.064.00	2

NOTE: The last four digits in a ten digit numerical serial number are the manufacturing date code: 962506**1404**

Year 2014 ———  
Week Four ———





Ovention, Inc.  
P.O. Box 340500  
Milwaukee, WI 53234-0500 U.S.A.  
855-298-OVEN(6836)  
[connect@oventionovens.com](mailto:connect@oventionovens.com)  
[partsandservice@oventionovens.com](mailto:partsandservice@oventionovens.com)  
[www.oventionovens.com](http://www.oventionovens.com)

