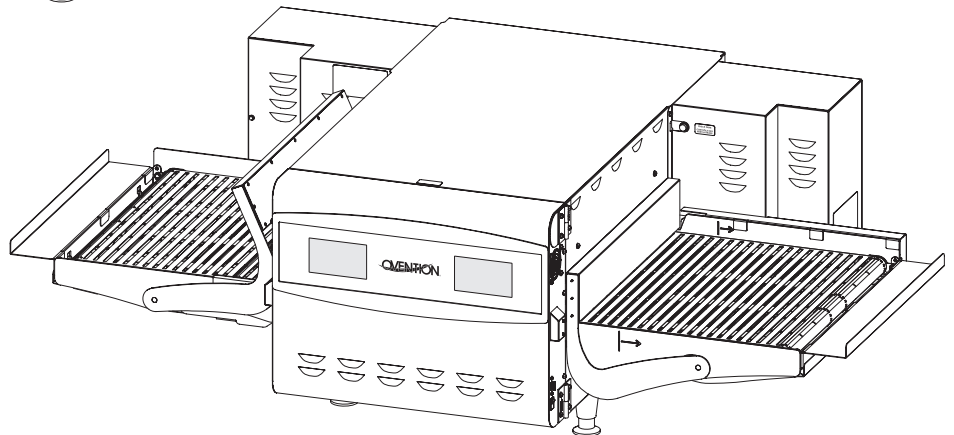
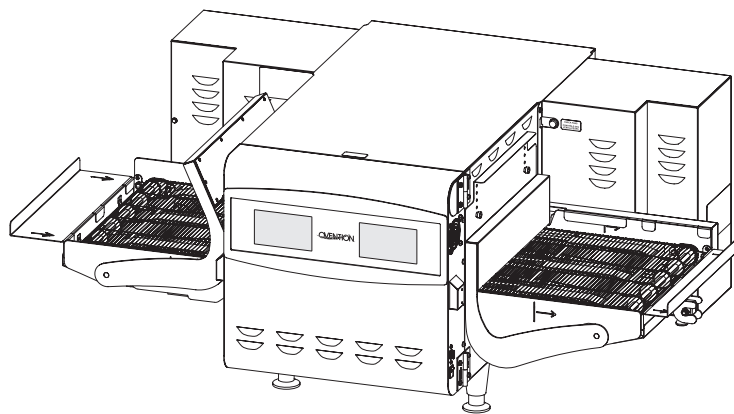


OVENTION[®]

THE ESSENCE OF COOKING[™]

Shuttle[®] Oven

Models: S1200, S2000, S2000NC



Replacement Parts List

IMPORTANT NOTE:

Locate the Specification Label on the unit to determine the exact Model Name and electrical specifications. This information is needed to identify the correct replacement parts. See exploded view illustration(s) for Specification Label location.

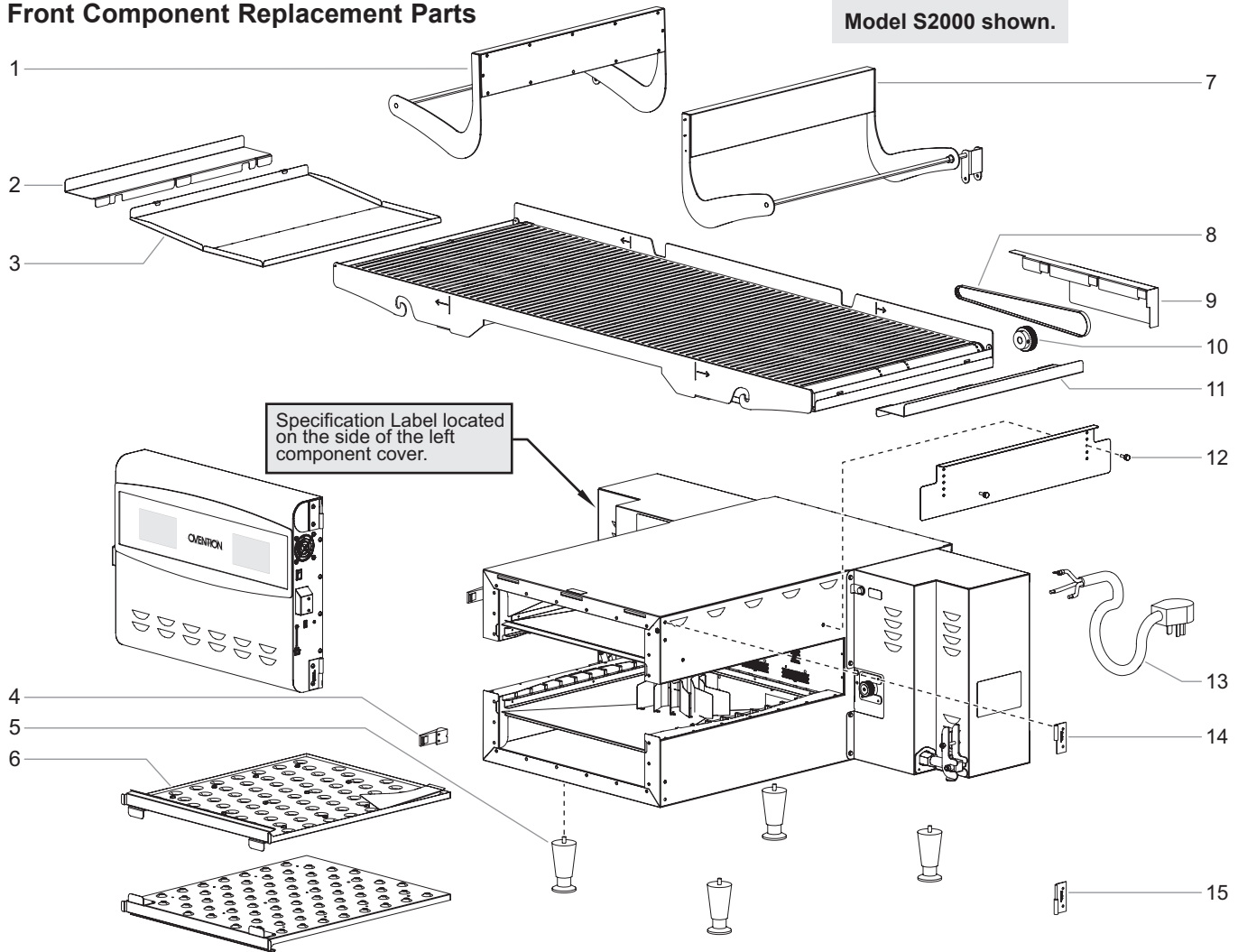
⚠ CAUTION

Use of replacement parts other than those supplied by Ovention may result in damage to the unit or injury to personnel and will void all warranties.

Ovention® Shuttle® Oven

Front Component Replacement Parts

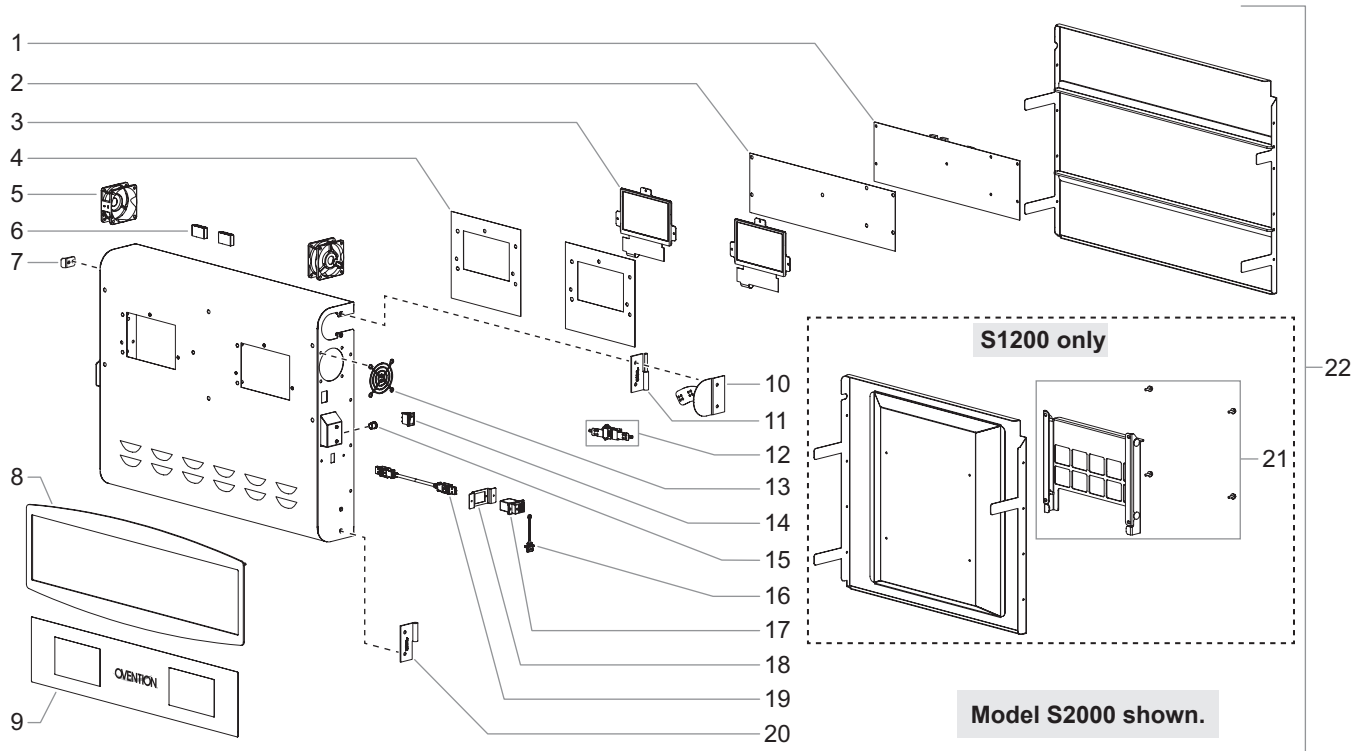
Model S2000 shown.



Item	Description	Part No.	Qty.	
1	Shuttle Door, Left	S1200	0709-2011	1
		S2000	0703-2014	1
2	Conveyor End Stop	S1200 (Left, 4")	0709-3086	1
		S2000	0703-3045	2
3	Crumb Tray	S1200	0709-3056	2
		S2000	0703-3046	2
4	Latch	05.30.197.00	2	
5	Leg, 4"	05.30.196.00	4	
6	Jet Plate Assembly	S1200	0709-2006	2
		S2000	0703-2004	2
7	Shuttle Door, Right	S1200	0709-2010	1
		S2000	0703-2013	1
8	Drive Belt	S1200	04.55.037.00	1
		S2000	04.55.028.00	1

Item	Description	Part No.	Qty.	
9	Belt Cover	S1200	0709-3047	1
		S2000	0703-3048	1
10	Drive Wheel	04.55.027.00	1	
11	Conveyor End Stop, Right, 2" (S1200 only)	0709-3087	1	
12	Thumbscrew, Eyebrow	05.04.219.00	4	
13	Power Cord w/Plug	S1200, 208/240 V, 1Φ	02.18.601.00	1
		S1200 (8250 W Heater), 208/240 V, 1Φ	02.18.557.00	1
		S1200, 230 V, 1Φ	02.18.549.00	1
		S1200, 230/400 V, 3Φ	02.18.835.00	1
	S2000, 208/240 V, 1Φ	02.18.557.00	1	
14	Hinge, Female, Left	05.12.007.00	1	
15	Hinge, Male Right	05.12.006.00	1	
	Wiring Diagram			
	S1200			
	208/240 V, 1Φ	10-01-1176		
	230 V, 1Φ	10-01-1472		
	230/400 V, 3Φ	10-01-1325		
	S2000	10-01-1125		

Door Replacement Parts



Item	Description	Part No.	Qty.
1	UI Board		
	S1200	R0700-5005-S120	1
	S2000, 1Φ	R0700-5005-S201	1
	S2000, 3Φ	R0700-5005-S203	1
2	Fish Paper Insulator	0701-4002	1
3	LCD Assembly w/Bracket, 5"	R02.01.378.00	2
4	LCD Spacer Film	04.55.039.00	2
5	Cooling Fan Assembly (includes two fans)	R02.12.190.00	1
6	Wire Nut, Lever, 5 Pole	02.20.412.00	2
7	Latch Keeper	05.30.198.00	2
8	Trim Bezel		
	S1200	0709-2021	1
	S2000	0703-2020	1
9	Touchscreen Overlay		
	S1200	0702-4000	1
	S2000	0701-4000	1
10	Door Connector Cover/ Mounting Kit	R04.55.733.00	1

Item	Description	Part No.	Qty.
11	Hinge, Male, Left	05.12.005.00	1
12	Door Connector Kit (includes item 10)	R02.14.203.00	1
13	Fan Guard	02.12.145.00	2
14	Standby Switch	02.19.233.00	1
15	Window Plug	02.20.454.00	2
16	Cover, USB	02.20.546.00	1
17	Adapter, USB	02.20.545.00	1
18	Mounting Bracket, USB	04.55.731.00	1
19	USB Cable, 20" ■	02.20.548.00	1
20	Hinge, Female, Right	05.12.008.00	1
21	Toast Catcher Kit (S1200 only)	R04.55.125.00	1
22	Door Assembly, Complete (includes items 1–21)		
	S1200	R0709-2013	1
	S2000	R0703-2046	1
23	Wire Harness, UI Board to Door Connector (not shown)	02.18.636.00	1

Φ = Phase

■ For units with date code **1851** and older, use USB Cable P/N 02.20.435.00.

■ The shaded areas contain information for **International models only**.

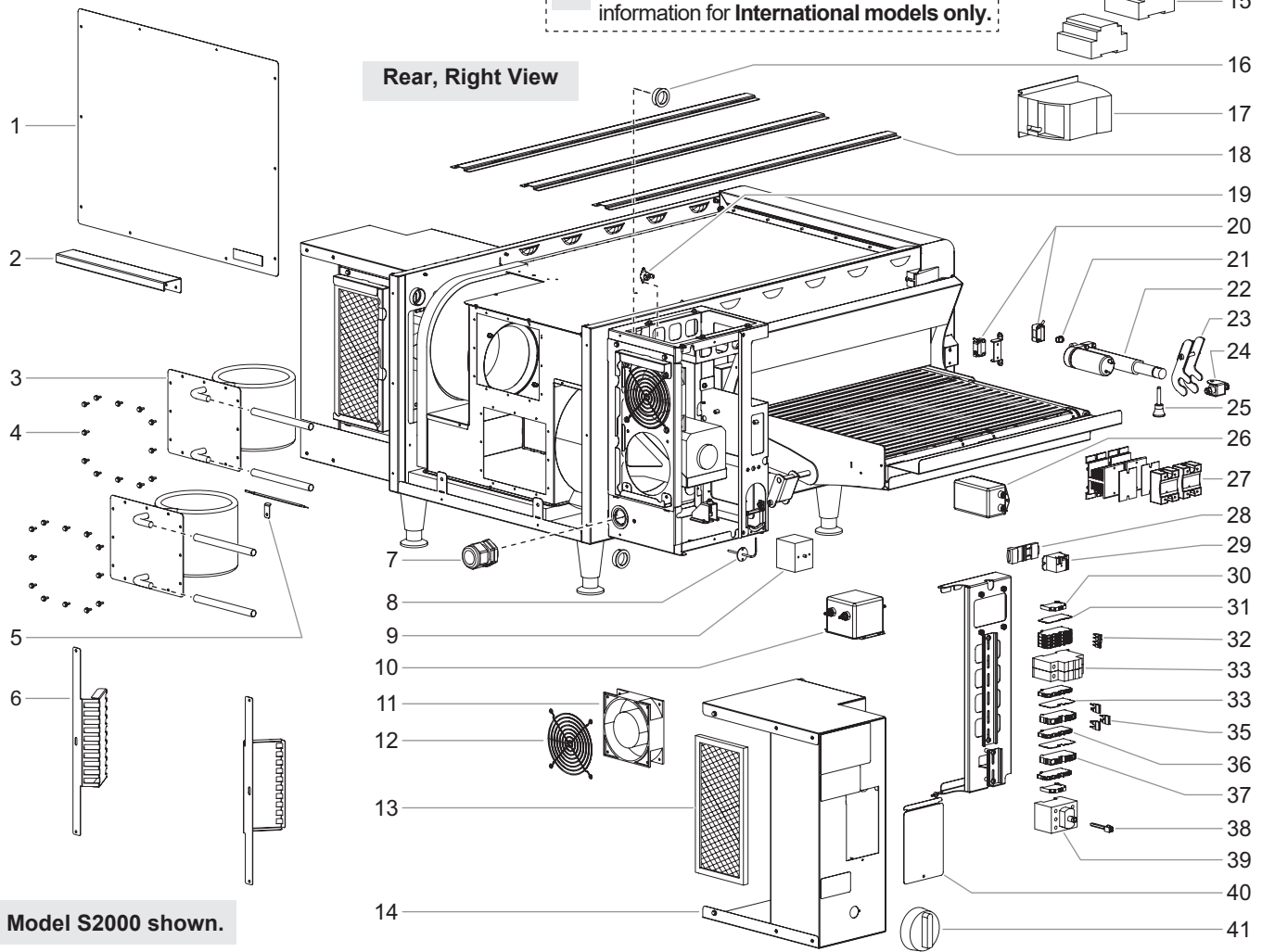
NOTE: The last four digits in a ten digit numerical serial number are the manufacturing date code: 962506**1404**

Year 2014

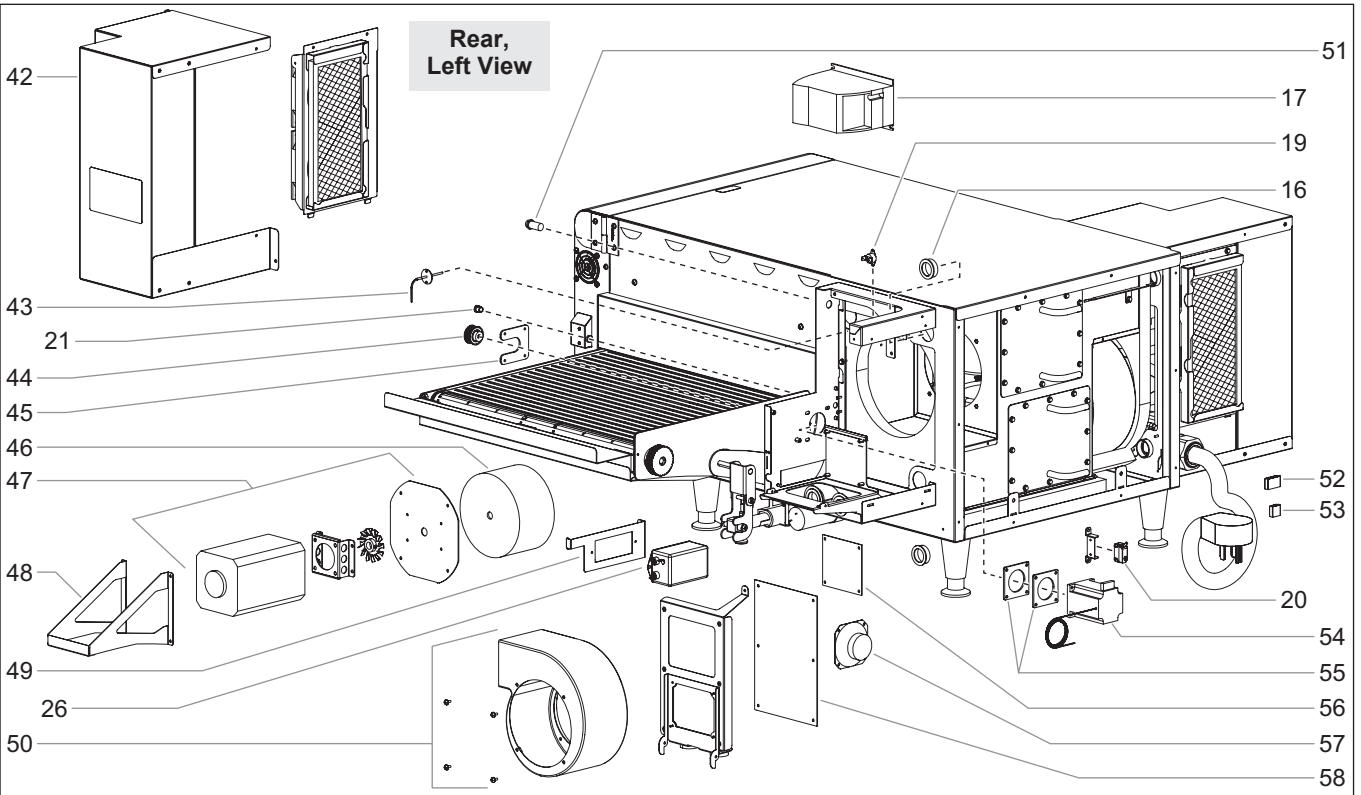
Week Four

Rear Component Replacement Parts

The shaded areas in the list contain information for **International models only**.



Model S2000 shown.



Item	Description	Part No.	Qty.
1	Back Cover		
	S1200	0709-3028	1
	S2000	0703-3025	1
2	Rear Standoff (S1200 only)	0701-3621	1
3	Heater w/Mounting Plate		
	S1200, 1Φ, 6400 W, US	R0702-2045	1
	S1200, 1Φ, 5720 W, CA	R0702-2601	1
	S1200, 1Φ, 8250 W, US	R0709-2029	1
	S2000, 1Φ, 5520 W, US	R0701-2116	2
	S2000, 1Φ, 5000 W, CA	R0701-2606	2
	S2000, 3Φ, 7500 W, USCA	R0703-2612	2
4	Hex Screw w/Washer		
	S1200	05.04.771.00	14
	S2000	05.04.771.00	25
5	High Limit Hold Down Clamp	0701-3349	1
6	Rear Air Spacer	04.55.709.00	2
7	Cord Grip		
	S1200, 30 A	02.20.290.00	1
	S1200/S2000, 50 A	02.20.509.00	1
8	Thermocouple, Left		
	S1200	02.01.377.00	1
	S2000	02.01.436.00	1
9	Thermal Cutoff	02.16.172.00	1
10	RFI Filter, 30 A (S1200, 1Φ only)	02.13.357.00	1
11	Fan †	02.12.185.00	4
12	Finger Guard	02.12.063.00	4
13	Air Filter	04.55.001.00	2
14	Component Cover, Left	04.55.162.00	1
15	Power Supply, 208/240 V Input, 24 V DC Output	02.17.066.00	2
16	Snap Bushing, 1-1/4"	02.20.442.00	4
17	Motor Controller	02.01.404.00	2
18	U Channel	04.55.788.00	3
19	Thermostar, High Limit	02.16.177.00	2
20	IR Sensor Assembly (includes transmitter and receiver)	02.18.612.00	2
21	Window Plug	02.20.454.00	2
22	Linear Actuator *	R04.55.307.00	2
23	Actuator Claw Assembly	R0703-3145	2
24	Actuator Bracket Kit	R0703-3146	2
25	Actuator Knob/Pin	R05.30.213.00	2
26	RFI Filter, 20 A (S1200 only)		
	1Φ	02.13.356.00	1
	3Φ	02.13.356.00	4
27	Solid State Relay (S2000, 3Φ only)	R02.01.355.00	2
28	DIN Rail Clip ‡	02.01.465.00	1
29	Relay ‡	02.01.512.00	1
30	T-Block Stop	02.15.075.00	2
31	T-Block Insulator, Wago 2004-1391	02.15.072.00	1
32	T-Block Jumper, 32 A		
	S1200/S2000, 1Φ	02.15.074.00	2
	S1200, 3Φ	02.15.074.00	3
	S2000, 3Φ	02.15.074.00	1
33	Mini Circuit Breaker, 15 A		
	S1200/S2000, 1Φ	02.03.079.00	2
	S1200, 3Φ	02.03.079.00	1
	S2000, 3Φ	02.03.079.00	3

Item	Description	Part No.	Qty.
34	T-Block Insulator, Wago 2010-1291		
	S1200/S2000, 1Φ	02.15.070.00	2
	S2000, 3Φ	02.15.070.00	3
35	T-Block Jumper, 57 A		
	S1200	02.15.073.00	2
	S2000	02.15.073.00	3
36	Terminal Block, 3 Position		
	S1200, 1Φ	02.15.071.00	6
	S1200, 3Φ	02.15.071.00	10
	S2000	02.15.071.00	7
37	Terminal Block, 2 Position		
	S1200/S2000, 1Φ	02.15.068.00	2
	S2000, 3Φ	02.15.068.00	3
38	Locking Shaft, 2" (S2000 only)	02.19.236.00	1
39	Disconnect Switch (includes items 38 and 41, S2000 only)	R02.19.234.00	1
40	Cover, Fuse	0703-3183	1
41	Knob, Red-Yellow ON/OFF Switch (S2000 only)	05.30.202.00	1
42	Component Cover, Right	04.55.155.00	1
43	Thermocouple, Right	02.01.377.00	1
44	Gear, 16 Teeth	04.55.026.00	1
45	Mounting Plate, Drive Motor	0703-3180	1
46	Blower Wheel Kit		
	S1200	R02.12.134.00	2
	S2000	R02.12.130.00	2
47	Blower Motor Kit		
	S1200	R02.12.123.00	2
	S2000	R02.12.128.01	2
48	Blower Bracket (S2000 only)	R04.55.126.00	2
49	RFI Bracket (S1200 only)	04.55.180.00	1
50	Blower Housing Assembly		
	S1200	R02.12.135.00	2
	S2000	R02.12.131.00	2
51	Indicator Light	02.19.238.00	1
52	Wire Nut, Lever, 5 Pole	02.20.412.00	1
53	Wire Nut, Lever, 3 Pole	02.20.411.00	3
54	Drive Motor	02.12.132.00	1
55	Spacer, Drive Motor	0703-3601	2
56	Shuttle Circuit Board	0700-5035	1
57	Speaker w/Leads	02.18.559.00	1
58	Relay Board	R02.01.474.00	1
59	Mini Circuit Breaker, 25 A (S1200, 3Φ only, not shown)	02.03.081.00	3
60	RFI Bracket, 3 Filter (S1200, 3Φ only, not shown)	04.55.777.00	1
61	Wire Harness, Relay Board to 6-Pin Connector (not shown)	02.18.811.00	1
62	Insulation, Top/Rear (not shown)		
	S1200	0709-6001	1
	S2000	0703-6001	1

Φ = Phase

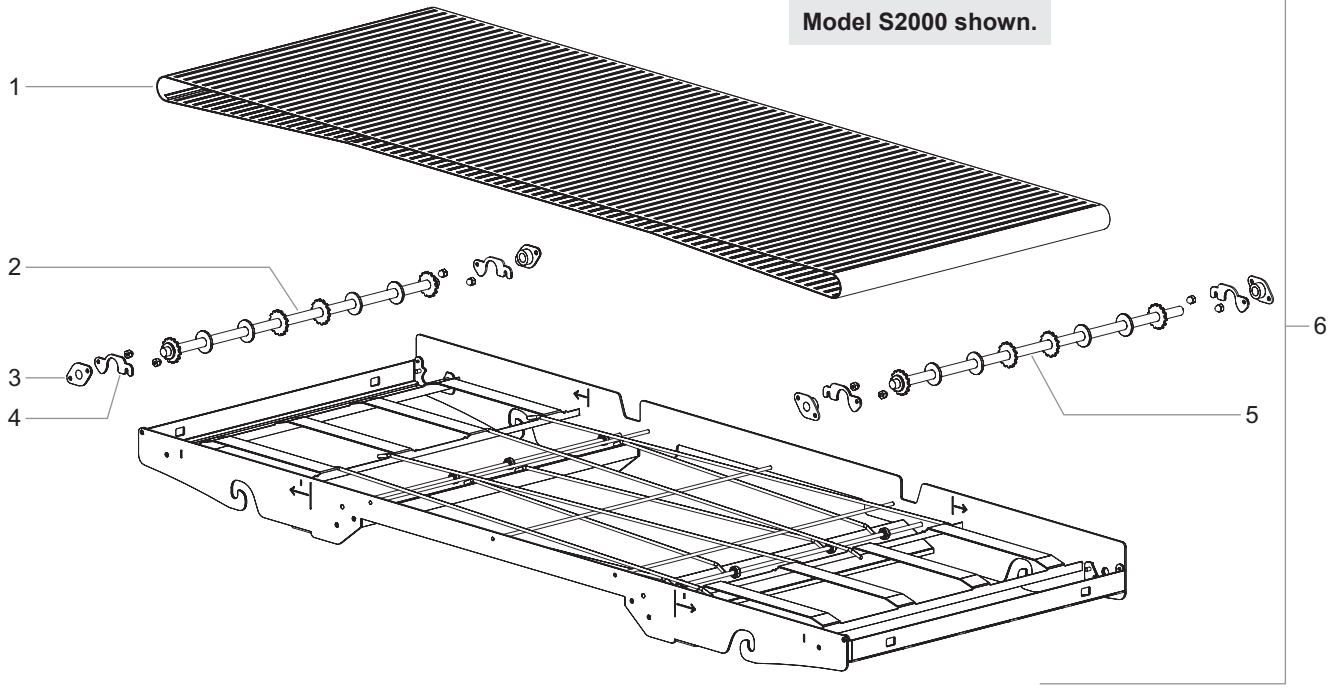
* For S2000 units with date code **1618** or older and S1200 units with date code **1638** or older, use Linear Actuator P/N 04.55.029.00.

† For units with date code **1830** and older, use Fan P/N 02.12.148.00.

‡ For use on units with date code **1831** and newer.

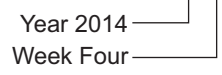
Conveyor Belt Assembly Replacement Parts

Model S2000 shown.



Item	Description	Part No.	Qty.
1	Conveyor Belt		
	S1200	R04.55.050.00	1
	S2000	R04.55.030.00	1
2	Sprocket Idle Assembly		
	S1200	0709-2009	1
	S2000	0703-2048	1
3	Flange Bearing Kit (includes 4 bearings)	R05.02.050.00	1
4	Bearing Plate	0703-3602	4
5	Sprocket Drive Assembly		
	S1200	0709-2008	1
	S2000	0703-2049	1
6	Conveyor Assembly (includes items 1-5)		
	S1200	R0709-2007	1
	S2000	R0703-2603	1

NOTE: The last four digits in a ten digit numerical serial number are the manufacturing date code: 962506**1404**



Legacy Electrical Parts—S2000 Only

The electrical parts listed below are for S2000 units with a date code of **1618** and older.

Item	Description	Part No.	Qty.
1	Terminal Block	02.15.062.00	1
2	Distribution Block	02.15.063.00	1
3	Fuse Holder, Dual	02.03.069.00	2
4	Time Delay Fuse, 25 A	02.03.072.00	2
5	Time Delay Fuse, 15 A	02.03.073.00	2



Need help?
Call our 24 hour, toll-free
Ovention Hotline
855-298-OVEN(6836)

Ovention, Inc.
P.O. Box 340500
Milwaukee, WI 53234-0500 U.S.A.
855-298-OVEN(6836)
connect@oventionovens.com
partsandservice@oventionovens.com
www.oventionovens.com