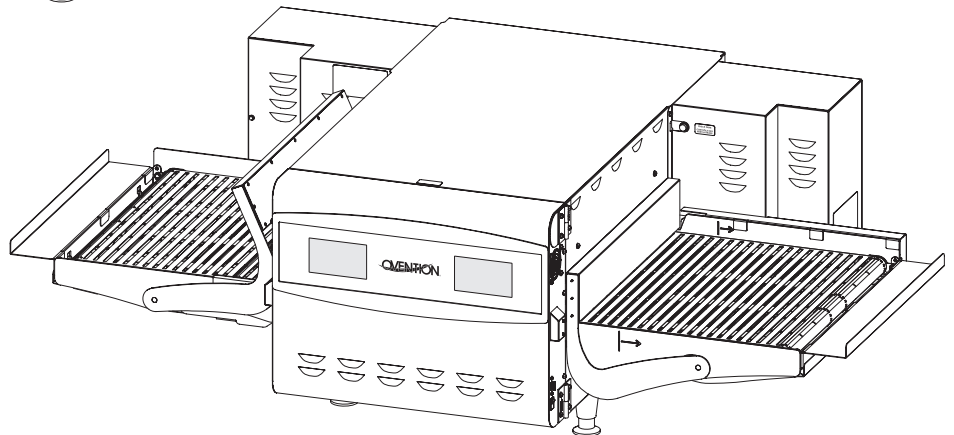
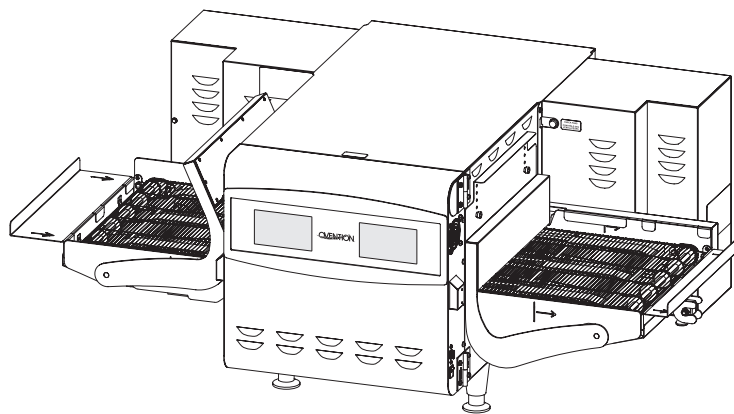


OVENTION[®]

THE ESSENCE OF COOKING[™]

Shuttle[®] Oven

Models: S1200, S1600, S2000



Replacement Parts List

IMPORTANT NOTE:

Locate the Specification Label on the unit to determine the exact Model Name and electrical specifications. This information is needed to identify the correct replacement parts. See exploded view illustration(s) for Specification Label location.

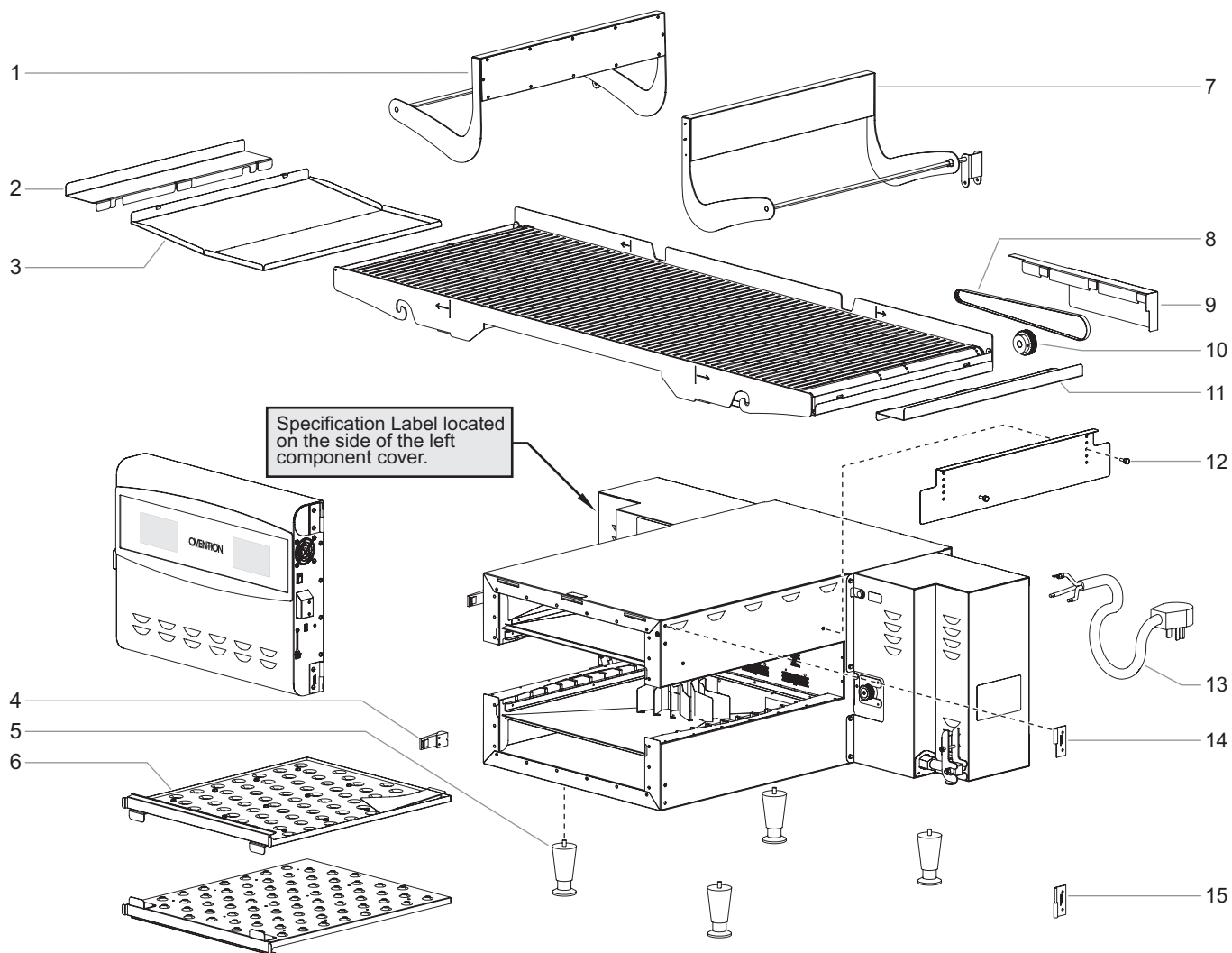
CAUTION

Use of replacement parts other than those supplied by Ovention may result in damage to the unit or injury to personnel and will void all warranties.

Ovention® Shuttle® Oven

Front Component Replacement Parts

Model S2000 shown.



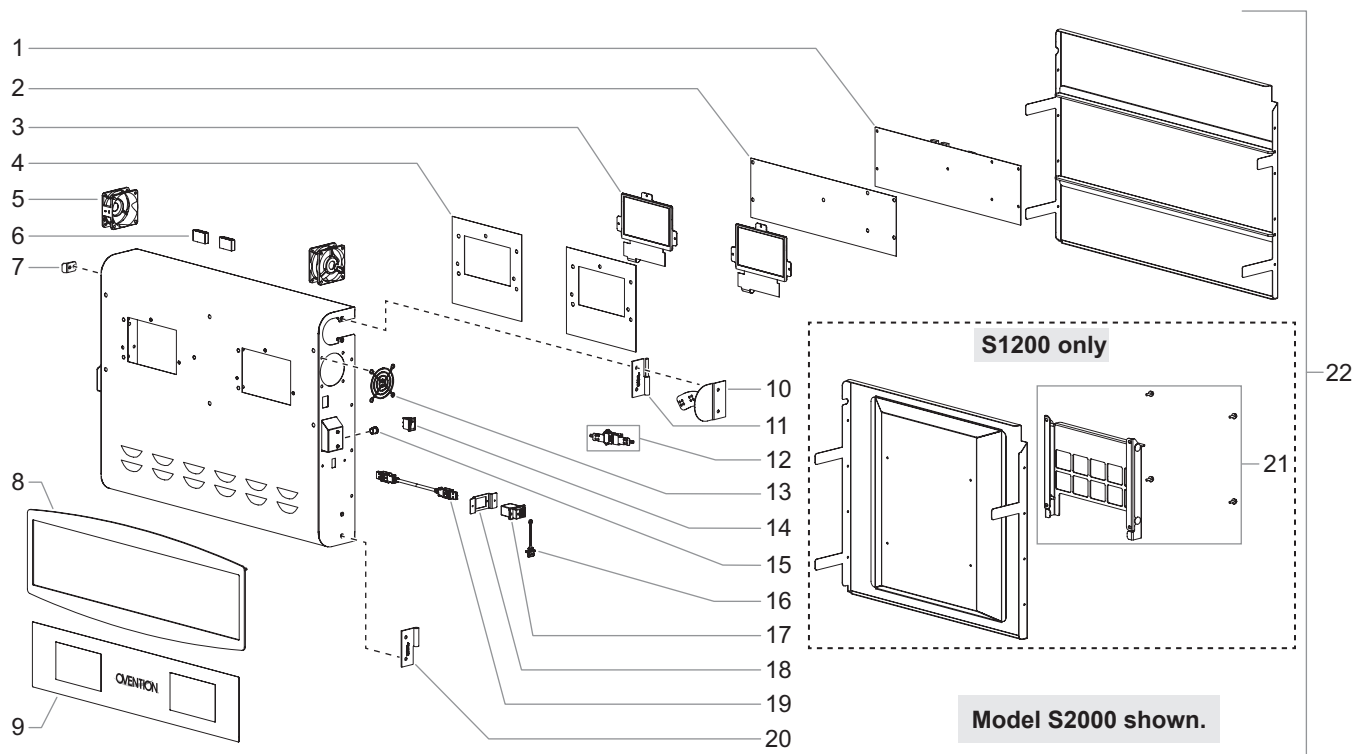
Item	Description	Part No.	Qty.
1	Shuttle Door, Left		
	S1200	0709-2011	1
	S1600	04.55.397.00	1
	S2000	0703-2014	1
2	Conveyor End Stop		
	S1200 (Left, 4")	0709-3086	1
	S1600	04.68.152.00	2
	S2000	0703-3045	2
3	Crumb Tray		
	S1200	0709-3056	2
	S1600	04.55.402.00	2
	S2000	0703-3046	2
4	Latch	05.30.197.00	2
5	Leg, 4"	05.30.196.00	4
6	Jet Plate Assembly		
	S1200	0709-2006	2
	S1600	04.55.672.00	2
	S2000	0703-2004	2
7	Shuttle Door, Right		
	S1200	0709-2010	1
	S1600	04.55.410.00	1
	S2000	0703-2013	1
8	Drive Belt		
	S1200	04.55.037.00	1
	S1600/S2000	04.55.028.00	1

Item	Description	Part No.	Qty.
9	Belt Cover		
	S1200	0709-3047	1
	S1600/S2000	0703-3048	1
10	Drive Wheel	04.55.027.00	1
11	Conveyor End Stop, Right, 2" (S1200 only)	0709-3087	1
12	Thumbscrew, Eyebrow	05.04.219.00	4
13	Power Cord w/Plug		
	S1200, 208/240 V, 1Φ	02.18.601.00	1
	S1200 (8250 W Heater), 208/240 V, 1Φ	02.18.557.00	1
	S1200, 230 V, 1Φ	02.18.549.00	1
	S1200, 230/400 V, 3Φ	02.18.835.00	1
	S1600, 208/240 V, 3Φ	02.18.141.00	1
	S2000, 208/240 V, 1Φ	02.18.557.00	1
	S2000, 208/240 V, 3Φ	02.18.676.00	1
14	Hinge, Female, Left	05.12.007.00	1
15	Hinge, Male Right	05.12.006.00	1
	Wiring Diagram		
	S1200		
	208/240 V, 1Φ	10-01-1176	
	230 V, 1Φ	10-01-1472	
	230/400 V, 3Φ	10-01-1325	
	S1600	10-01-1639	
	S1600, No IR Sensor	10-01-1469	
	S2000, 1Φ	10-01-1125	
	S2000, 3Φ	10-01-1195	

Φ = Phase

The shaded areas contain information for **International models only**.

Door Replacement Parts



Item	Description	Part No.	Qty.
1	UI Board		
	S1200	R0700-5005-S120	1
	S1600	R0700-5005-S160	1
	S2000, 1Φ	R0700-5005-S201	1
	S2000, 3Φ	R0700-5005-S203	1
2	Fish Paper Insulator	0701-4002	1
3	LCD Assembly w/Bracket, 5"	R02.01.378.00	2
4	LCD Spacer Film	04.55.039.00	2
5	Cooling Fan Assembly (includes two fans)	R02.12.190.00	1
6	Wire Nut, Lever, 5 Pole	02.20.412.00	2
7	Latch Keeper	05.30.198.00	2
8	Trim Bezel		
	S1200	0709-2021	1
	S1600/S2000	0703-2020	1
9	Touchscreen Overlay		
	S1200	0702-4000	1
	S1600/S2000	0701-4000	1
10	Door Connector Cover/ Mounting Kit	R04.55.733.00	1

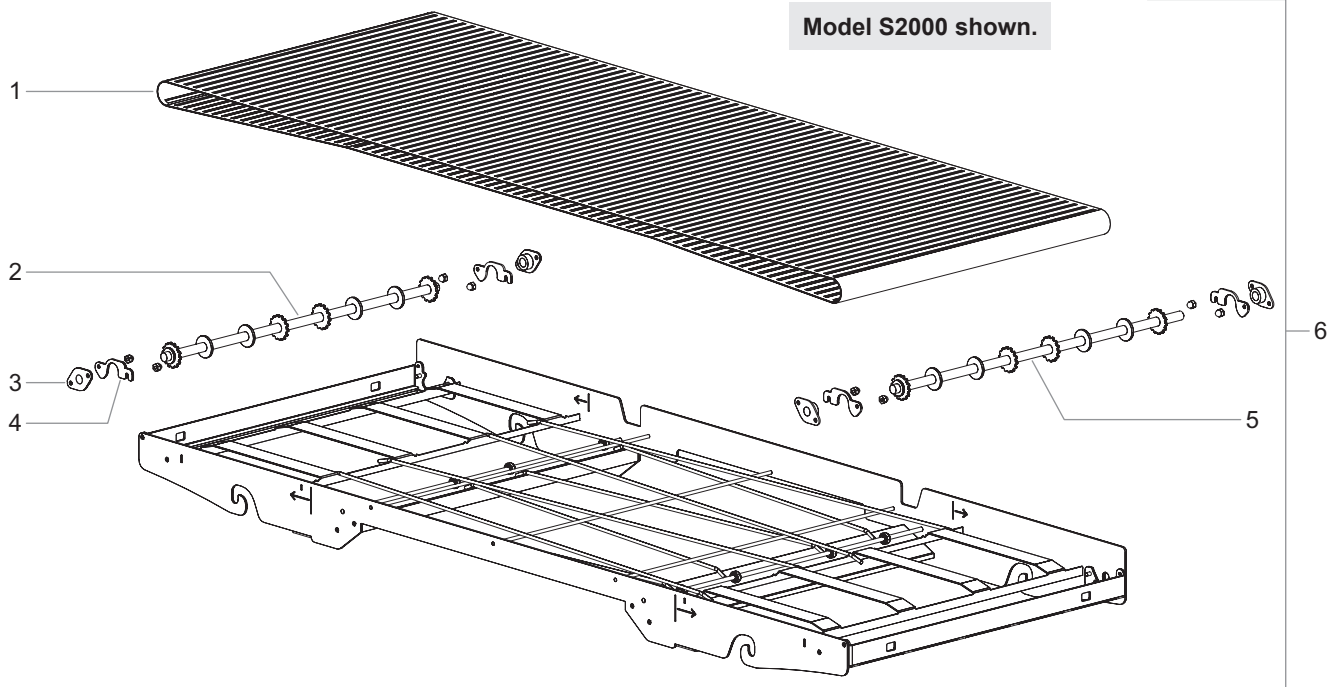
Item	Description	Part No.	Qty.
11	Hinge, Male, Left	05.12.005.00	1
12	Door Connector Kit	R02.14.203.00	1
13	Fan Guard	02.12.145.00	2
14	Standby Switch	02.19.233.00	1
15	Window Plug	02.20.454.00	2
16	Cover, USB	02.20.546.00	1
17	Adapter, USB	02.20.545.00	1
18	Mounting Bracket, USB	04.55.731.00	1
19	USB Cable, 20" ■	02.20.548.00	1
20	Hinge, Female, Right	05.12.008.00	1
21	Toast Catcher Kit (S1200 only)	R04.55.125.00	1
22	Door Assembly, Complete (includes items 1–21)		
	S1200	R0709-2013	1
	S1600	R04.68.017.00	1
	S2000	R0703-2046	1
23	Wire Harness, UI Board to Door Connector (not shown)	02.18.636.00	1

Φ = Phase

■ For units with date code **1851** and older, use USB Cable P/N [02.20.435.00](#).

The shaded areas contain information for **International models only**.

Conveyor Belt Assembly Replacement Parts



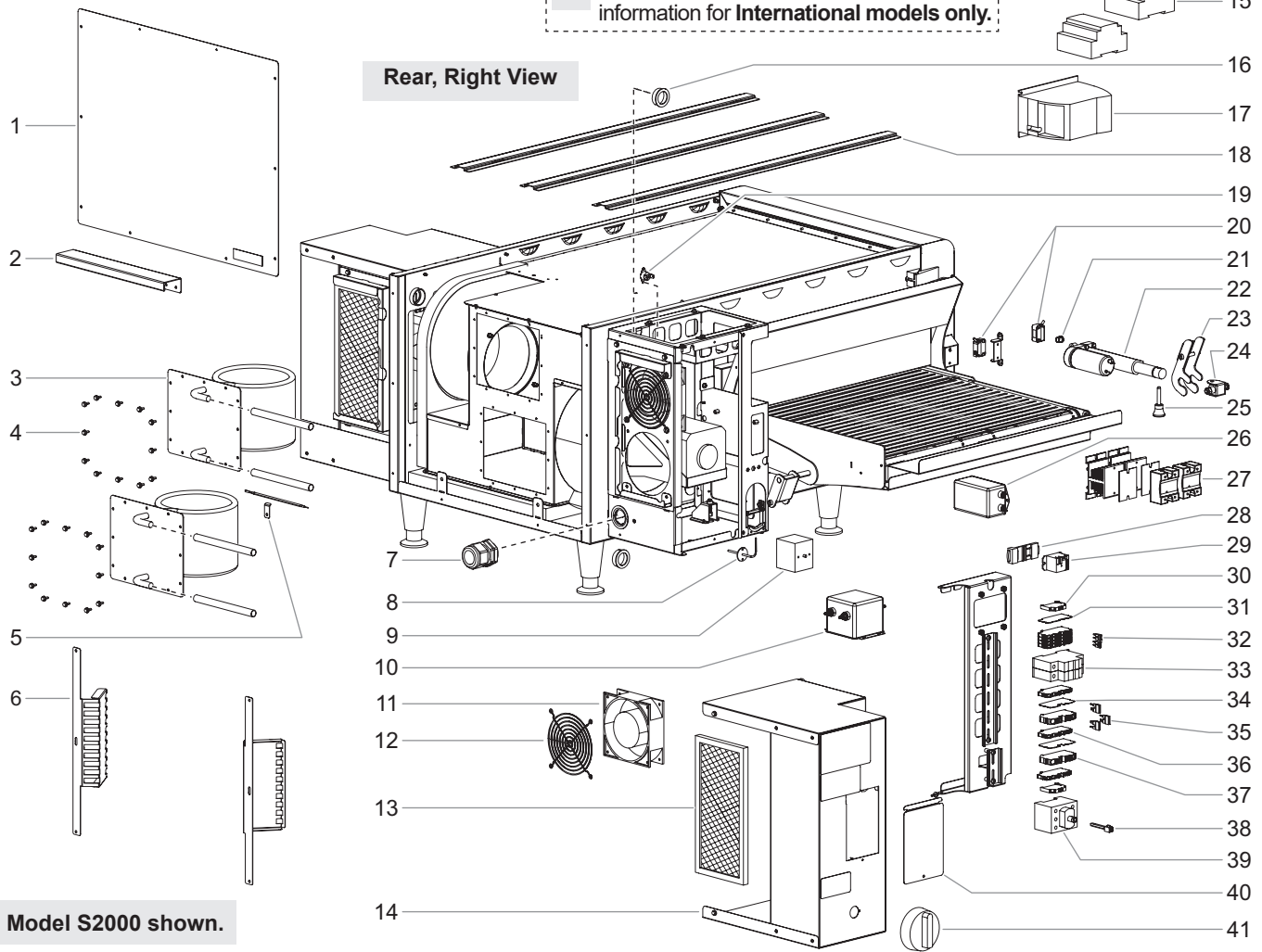
Item	Description	Part No.	Qty.
1	Conveyor Belt		
	S1200	R04.55.050.00	1
	S1600	R04.55.392.00	1
	S2000	R04.55.030.00	1
2	Sprocket Idle Assembly		
	S1200	0709-2009	1
	S1600	04.55.395.00	1
	S2000	0703-2048	1
3	Flange Bearing Kit (includes 4 bearings)	R05.02.050.00	1
4	Bearing Plate	0703-3602	4
5	Sprocket Drive Assembly		
	S1200	0709-2008	1
	S1600	04.55.393.00	1
	S2000	0703-2049	1
6	Conveyor Assembly (includes items 1-5)		
	S1200	R0709-2007	1
	S1600	R04.55.384.00	1
	S2000	R0703-2603	1

NOTE: The last four digits in a ten digit numerical serial number are the manufacturing date code: 962506**1404**

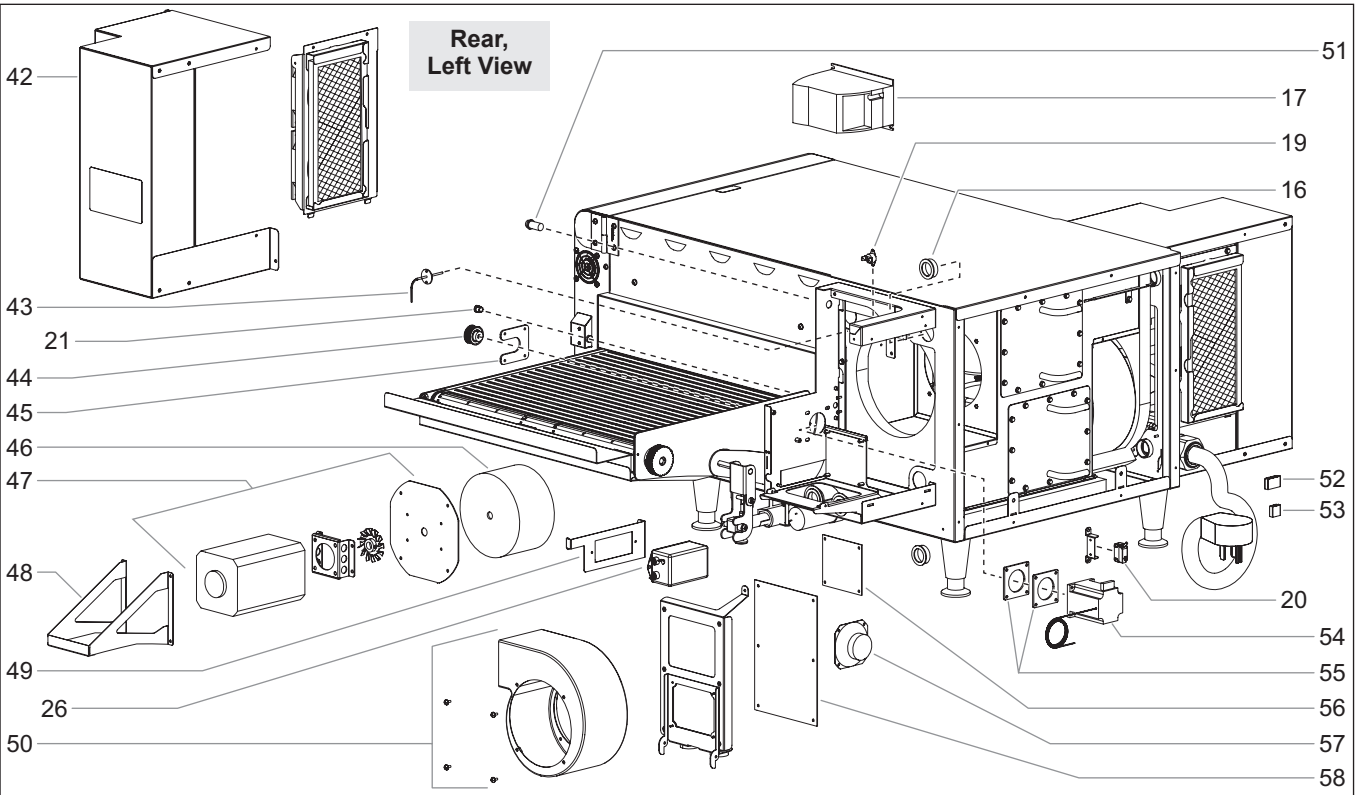
Year 2014
Week Four

Rear Component Replacement Parts

The shaded areas in the list contain information for **International models only**.



Model S2000 shown.



Item	Description	Part No.	Qty.
1	Back Cover		
	S1200	0709-3028	1
	S1600	04.55.724.00	1
	S2000	0703-3025	1
2	Rear Standoff (S1200 only)	0701-3621	1
3	Heater w/Mounting Plate		
	S1200, 6400 W, US	R0702-2045	1
	S1200, 5720 W, CA	R0702-2601	1
	S1200, 8250 W, CA	R0709-2029	1
	S1200/S1600, 10800 W, US ■	R02.09.352.00	1
	S2000, 5520 W, US	R0701-2116	2
	S2000, 5000 W, CA	R0701-2606	2
	S2000, 7500 W, USCA	R0703-2612	2
4	Hex Screw w/Washer		
	S1200	05.04.771.00	14
	S2000	05.04.771.00	25
5	High Limit Hold Down Clamp	0701-3349	1
6	Rear Air Spacer	04.55.709.00	2
7	Cord Grip		
	S1200/S1600, 30 A	02.20.290.00	1
	S1200/S2000, 50 A	02.20.509.00	1
8	Thermocouple, Left		
	S1200/S1600	02.01.377.00	1
	S2000	02.01.436.00	1
9	Thermal Cutoff		
	S1200/S1600	02.16.222.00	1
	S2000	02.16.172.00	1
10	RFI Filter, 30 A (S1200, 1Φ only)	02.13.357.00	1
11	Fan †	02.12.185.00	4
12	Finger Guard	02.12.063.00	4
13	Air Filter	04.55.001.00	2
14	Component Cover, Left	04.55.162.00	1
15	Power Supply, 208/240 V Input, 24 V DC Output	02.17.066.00	2
16	Snap Bushing, 1-1/4"	02.20.442.00	4
17	Motor Controller	R02.01.609.00	2
18	U Channel	04.55.788.00	3
19	Thermostar, High Limit	02.16.177.00	2
20	IR Sensor Assembly (includes transmitter and receiver)	02.18.612.00	2
21	Window Plug	02.20.454.00	2
22	Linear Actuator *	R04.55.307.00	2
23	Actuator Claw Assembly	R0703-3145	2
24	Actuator Bracket Kit	R0703-3146	2
25	Actuator Knob/Pin	R05.30.213.00	2
26	RFI Filter, 20 A (S1200 only)		
	1Φ	02.13.356.00	1
	3Φ	02.13.356.00	4
27	Solid State Relay (S2000, 3Φ only)	R02.01.355.00	2
28	DIN Rail Clip ‡	02.01.465.00	1
29	Relay ‡	02.01.512.00	1
30	T-Block Stop	02.15.075.00	2
31	T-Block Insulator, Wago 2004-1391	02.15.072.00	1
32	T-Block Jumper, 32 A		
	S1200/S1600/S2000	02.15.074.00	2
	S1200, 3Φ	02.15.074.00	3
	S1600 No IR Sensor/S2000, 3Φ	02.15.074.00	1

Item	Description	Part No.	Qty.
33	Mini Circuit Breaker, 15 A		
	S1200/S2000, 1Φ	02.03.079.00	2
	S1200, 3Φ	02.03.079.00	1
	S1600/S2000, 3Φ	02.03.079.00	3
34	T-Block Insulator, Wago 2010-1291		
	S1200/S2000, 1Φ	02.15.070.00	2
	S1600/S2000, 3Φ	02.15.070.00	3
	S1600, non-IR Sensor unit	02.15.070.00	0
35	T-Block Jumper, 57 A		
	S1200/S1600 non-IR Sensor unit	02.15.073.00	2
	S1600/S2000	02.15.073.00	3
36	Terminal Block, 3 Position		
	S1200, 1Φ	02.15.071.00	6
	S1200, 3Φ	02.15.071.00	10
	S1600	02.15.071.00	8
	S1600, No IR Sensor	02.15.071.00	4
	S2000	02.15.071.00	7
37	Terminal Block, 2 Position		
	S1200/S1600 No IR Sensor/ S2000, 1Φ	02.15.068.00	2
	S1600/S2000, 3Φ	02.15.068.00	3
38	Locking Shaft, 2" (S2000 only)	02.19.236.00	1
39	Disconnect Switch (includes items 38 and 41, S1600 and S2000 only)	R02.19.234.00	1
40	Cover, Fuse	0703-3183	1
41	Knob, Red-Yellow ON/OFF Switch (S1600 and S2000)	05.30.202.00	1
42	Component Cover, Right	04.55.155.00	1
43	Thermocouple, Right	02.01.377.00	1
44	Gear, 16 Teeth	04.55.026.00	1
45	Mounting Plate, Drive Motor	0703-3180	1
46	Blower Wheel Kit		
	S1200	R02.12.134.00	2
	S1600/S2000	R02.12.130.00	2
47	Blower Motor Kit		
	S1200	R02.12.123.00	2
	S1600/S2000	R02.12.128.01	2
48	Blower Bracket (S2000 only)	R04.55.126.00	2
49	RFI Bracket (S1200 only)	04.55.180.00	1
50	Blower Housing Assembly		
	S1200	R02.12.135.00	2
	S1600/S2000	R02.12.131.00	2
51	Indicator Light	02.19.238.00	1
52	Wire Nut, Lever, 5 Pole	02.20.412.00	1
53	Wire Nut, Lever, 3 Pole	02.20.411.00	3
54	Drive Motor	02.12.132.00	1
55	Spacer, Drive Motor	0703-3601	2
56	Shuttle Circuit Board	0700-5035	1
57	Speaker w/Leads	02.18.814.00	1
58	Relay Board	R02.01.474.00	1

continued...

■ For units with date code **2049** and older, use Heater w/ Mounting Plate P/N **R0709-2029**.

† For units with date code **1830** and older, use Fan P/N **02.12.148.00**.

* For S2000 units with date code **1618** or older and S1200 units with date code **1638** or older, use Linear Actuator P/N **04.55.029.00**.

‡ For use on units with date code **1831** and newer.

Φ = Phase

Rear Component Replacement Parts (continued)

Item	Description	Part No.	Qty.
59	Mini Circuit Breaker, 25 A (S1200, 3Φ only, not shown)	02.03.081.00	3
60	RFI Bracket, 3 Filter (S1200, 3Φ only, not shown)	04.55.777.00)	1
61	Wire Harness, Relay Board to 6-Pin Connector (not shown)	02.18.811.00	1
62	T-Block Insulator, Wago 2010-1391 (S1600 No IR Sensor only, not shown)	02.15.082.00	1
63	Terminal Block, 3 Position (S1600 No IR Sensor only, not shown)	02.15.081.00	1
64	Terminal Block, 2 Position (S1600 No IR Sensor only, not shown)	02.15.069.00	2
65	Insulation, Top/Rear (not shown)		
	S1200	0709-6001	1
	S1600	05.05.559.00	1
	S2000	0703-6001	1

Φ = Phase

The shaded areas contain information for **International models only.**

Legacy Electrical Parts—S2000 Only

The electrical parts listed below are for S2000 units with a date code of **1618** and older.

Item	Description	Part No.	Qty.
1	Terminal Block	02.15.062.00	1
2	Distribution Block	02.15.063.00	1
3	Fuse Holder, Dual	02.03.069.00	2
4	Time Delay Fuse, 25 A	02.03.072.00	2
5	Time Delay Fuse, 15 A	02.03.073.00	2



Need help?
Call our toll-free
Ovention Hotline
855-298-OVEN(6836)

Ovention, Inc.
P.O. Box 340500
Milwaukee, WI 53234-0500 U.S.A.

855-298-OVEN(6836)

connect@oventionovens.com
partsandservice@oventionovens.com
www.oventionovens.com