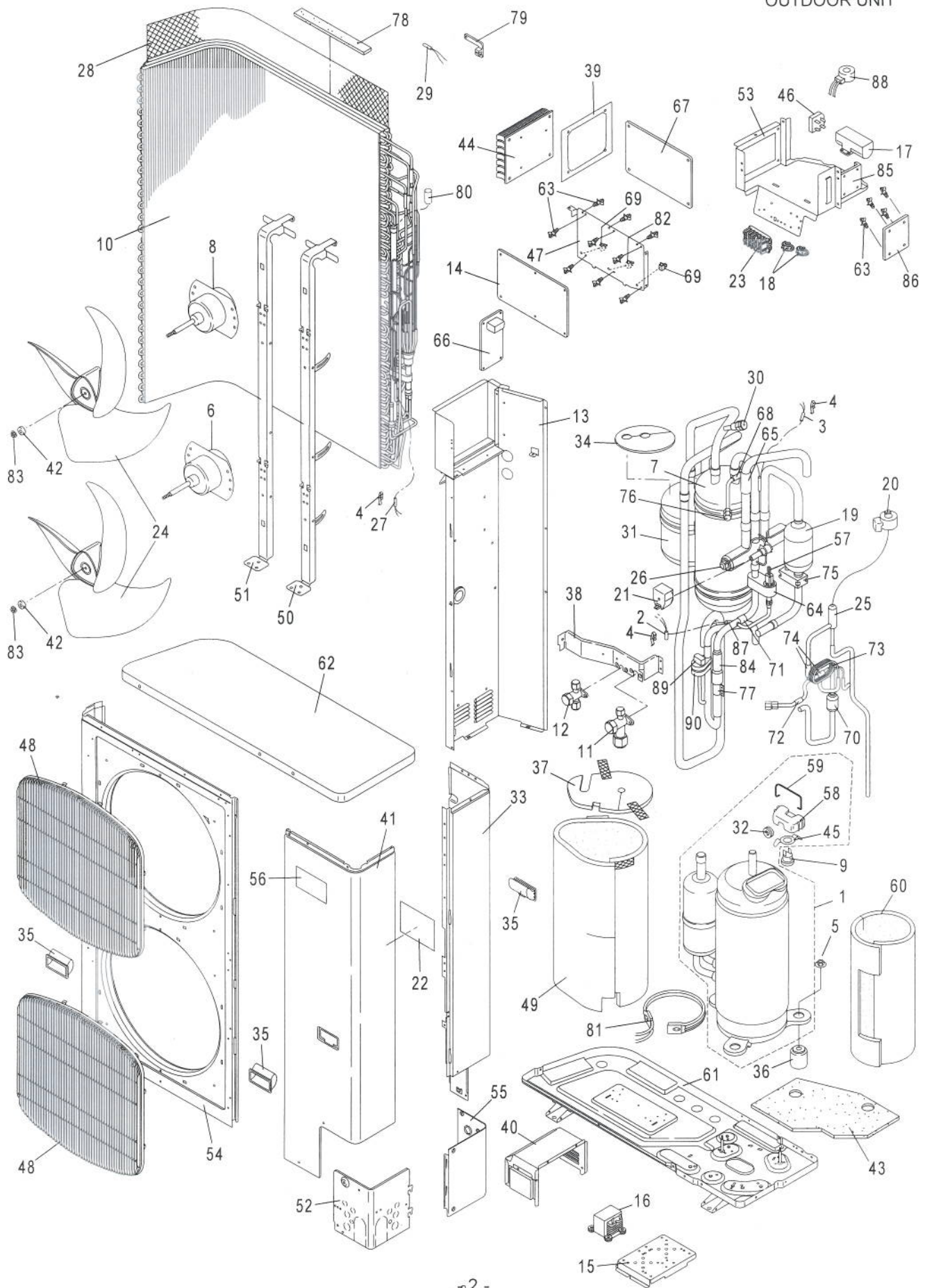


CHX03652
OUTDOOR UNIT



ATTENTION !

To ensure correct parts supply, please let us know followings,
when you make service parts order:

1.Part No. 2.Description 3.Q'ty 4.Volts-Hz-Ph 5.Product Model No.

CHX03652
OUTDOOR UNIT

Key No.	Part No.	Description	Q'ty	Reference No.
* 1	623 184 3188	Compressor C-9RVN273H0W	1	854-0-4525-30100
* 2	623 166 4141	Thermistor DTNC583G3UTKS236	1	1FA-4-V2E0-12000
* 3	623 151 9571	Thermistor KTM-35D-S1	1	1FA-4-V2E0-03000
4	623 148 5876	Mounting Thermostat	3	852-2-5303-22401
5	623 029 6497	Nut Special Ass'y	3	851-0-2395-10201
* 6	623 191 5717	Fan Motor DAJ12-95B61A-CR	1	1FA-4-M4A0-12000
7	623 188 0497	Accumulator Ass'y	1	854-0-4517-51201
* 8	623 191 6073	Fan Motor DAJ12-95B61B-CR	1	1FA-4-M4A0-12100
* 9	623 191 5793	Thermostat CS-7L110	1	4-2339-60062
* 10	623 188 0541	Heat Exch Ass'y	1	854-0-4124-52400
11	623 181 1965	Valve Ass'y 5/8 in.	1	854-0-4506-28500
12	623 201 7199	Valve Ass'y 3/8 in.	1	854-0-4504-32700
13	623 201 7182	Partition Plate Ass'y	1	854-0-2516-334H2
* 14	623 201 7175	Controller Ass'y CR-CHX06052	1	854-9-9536-05389
15	623 201 7168	Mounting Plate	1	854-2-2361-98502
* 16	623 170 9729	Solenoid R202AB	1	1FA-4-L5C0-04600
* 17	623 188 0572	Fixed Capacitor RU23B856R2400X	1	1FA-4-C1A0-09100
18	623 140 7595	Clip Wire	2	852-2-5304-16700
19	623 184 9579	Muffler	1	854-2-4519-18400
* 20	623 170 4083	Magnetic Coil UKV-U012E	1	1FA-4-L8A0-19900
* 21	623 201 7212	Magnetic Coil Ass'y STF-01AQ505UA1	1	8FA-0-5251-19900
22	623 201 7465	Elec. Wiring Diagram	1	8FA-2-5257-98600
* 23	623 181 1989	Terminal Base HP-T3041-C3E2-L6	1	1FA-4-J3A0-24700
24	623 173 6893	Propeller Fan Ass'y	2	854-2-2539-10610
* 25	623 177 7476	Solenoid Control Valve UKV-30D40	1	854-2-4548-20800
* 26	623 181 2429	Reversing Valve STF-0401G	1	854-2-4508-18700
* 27	623 166 4660	Thermistor DTNC532G3HTKS232	1	1FA-4-V2E0-12100
28	623 110 4517	Guard	1	854-2-1113-16700
* 29	623 192 7307	Thermistor DTN-TKS318B	1	1FA-4-V2E0-35900
30	623 191 4185	Fusible Plug	1	854-2-4306-15800
31	623 188 0589	Accumulator Ass'y	1	854-0-4517-51101
32	623 169 5190	Eyelet Rubber Lead Wire	1	801-2-5304-12600
33	623 201 7236	Rear Panel	1	854-2-1103-373H2
34	623 188 0633	Packing	1	854-2-2366-87900
35	623 161 9387	Knob	3	854-2-1311-13114
36	623 145 0577	Cushion Rubber	3	819-2-6920-10700
37	623 189 3367	Sound Insulation Compressor	1	854-2-2422-36500
38	623 188 0626	Support valve	1	854-2-4129-32600
39	623 194 7299	Sheet	1	1FA-4-G1A0-09700
40	623 201 7229	Mounting Plate Ass'y	1	854-0-2323-731H1
41	623 201 7243	Front Panel	1	854-2-1101-805J5
42	623 095 4960	Washer Special	2	854-2-1355-13300
43	623 188 0671	Sound Insulation Compressor	1	854-2-2422-36800
44	623 188 0664	Cooler	1	854-2-5325-18401
45	626 040 0222	Plate Protector	1	801-2-5302-12500
* 46	407 003 7003	Diode DBA250G	1	DDDBA250G---N
47	623 188 0657	Elec Component Box	1	854-2-5306-27501
48	623 174 1026	Guard	2	854-2-1113-20812
49	623 189 3398	Sound Insulation Compressor	1	854-2-2422-36600
50	623 201 7298	Base Ass'y, Fan Motor	1	854-0-2507-21603

NOTE: Metal and plastic parts will be supplied basically with necessary heat insulation pads or packing. Each key number with an asterisk (*) means the recommended service parts.

ATTENTION !

To ensure correct parts supply, please let us know followings,
when you make service parts order:

1.Part No. 2.Description 3.Q'ty 4.Volts-Hz-Ph 5.Product Model No.

CHX03652
OUTDOOR UNIT

Key No.	Part No.	Description	Q'ty	Reference No.
51	623 201 7281	Support Fan Motor	1	854-2-2516-39313
52	623 201 7274	Cover Ass'y	1	854-0-2325-35213
53	623 188 0718	Elec Component Box Ass'y	1	854-0-5311-03801
54	623 201 7267	Front Panel	1	854-2-1116-21213
55	623 201 7250	Cover Plate	1	854-2-1133-35823
56	623 188 0688	Badge	1	854-2-1354-31904
*	57 623 200 5097	Thermistor NSK-BD050I-124	1	1FA-4-V2E0-37200
58	626 040 0826	Cap Terminal Cover	1	801-2-6195-10700
59	626 040 0512	Clip	1	801-2-5340-10500
60	623 189 3411	Sound Insulation Compressor	1	854-2-2422-36700
61	623 201 7311	Bottom Plate Ass'y	1	854-0-2204-65603
62	623 201 7304	Top Panel	1	854-2-1112-381J3
63	623 097 1677	Spacer SPLSN-6	13	851-2-5366-03800
64	623 188 0756	Mounting Rubber, Tube	1	854-2-4315-25600
65	623 102 0992	Mounting Rubber, Tube	1	854-2-4315-16700
*	66 623 201 0947	P.C.B. Ass'y HIC-CHDX14053	1	854-9-9536-05383
*	67 623 192 1923	P.C.B. Ass'y FIL-CH4872R	1	854-9-9536-05287
68	623 119 3320	Mounting Rubber, Tube	1	854-2-4315-23400
69	623 096 4068	Spacer #616	2	851-2-5366-03300
70	623 101 8968	Strainer Ass'y	1	854-0-4522-13100
71	638 016 2789	Mounting Rubber, Tube	1	854-2-4315-18300
72	638 018 5689	Mounting Rubber, Tube	1	854-2-4315-23700
73	623 188 0831	Capillary Tube	1	854-2-4237-46500
74	623 129 3655	Mounting Rubber, Tube	2	854-2-4315-25400
75	623 162 6859	Mounting Rubber, Tube	1	854-2-4315-16600
76	623 188 0824	Charge Port Ass'y	1	854-0-4514-25900
77	623 177 4260	Mounting Plate	1	854-2-4134-70401
78	623 188 0817	Packing	1	854-2-2366-85800
79	623 192 7291	Support Thermo	1	854-2-2235-18700
80	623 170 8364	Insulation Special	1	854-2-2411-33100
*	81 623 201 7342	Heater Ass'y CH5700	1	8FA-0-5255-05000
82	623 192 7949	Spacer 2196	1	851-2-5366-07600
83	638 012 6705	Funa	2	3-9275-06010
*	84 623 170 9361	Check Valve Ass'y BCV-1005DYQ45	1	854-0-4518-18600
85	623 201 7335	Elec Component Box	1	854-2-5306-31601
*	86 623 192 1961	P.C.B. Ass'y CR-FAN4872R	1	854-9-9536-05290
87	623 125 0184	Mounting Thermostat	1	852-2-5303-17700
*	88 623 188 0916	Transformer Ass'y CL-9	1	8FA-0-5263-03600
*	89 623 201 7359	Switch Ass'y ACB-4UB50W	1	8FA-0-5257-04600
90	623 078 4871	Protection Rubber	1	854-2-2356-11100

NOTE: Metal and plastic parts will be supplied basically
with necessary heat insulation pads or packing.
Each key number with an asterisk (*) means the
recommended service parts.

For Parts or Service Contact
SANYO HVAC SERVICE CENTER
SANYO Fisher Service Company
1165 Allgood Road, Suite 22, Marietta, GA 30062 U.S.A.
300 Applewood Crescent, Concord, Ontario, L4K 5C7, CANADA
11/06 Printed in Japan