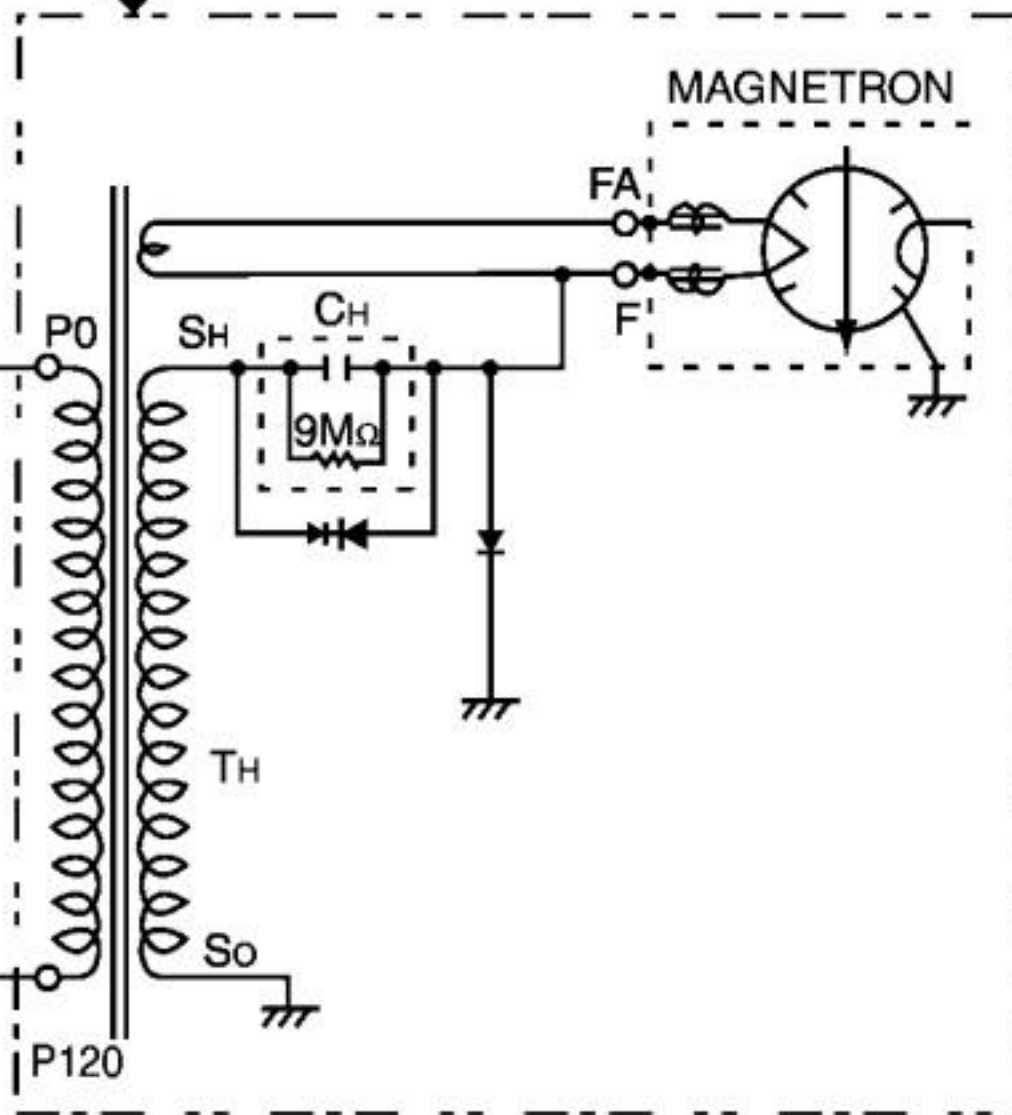
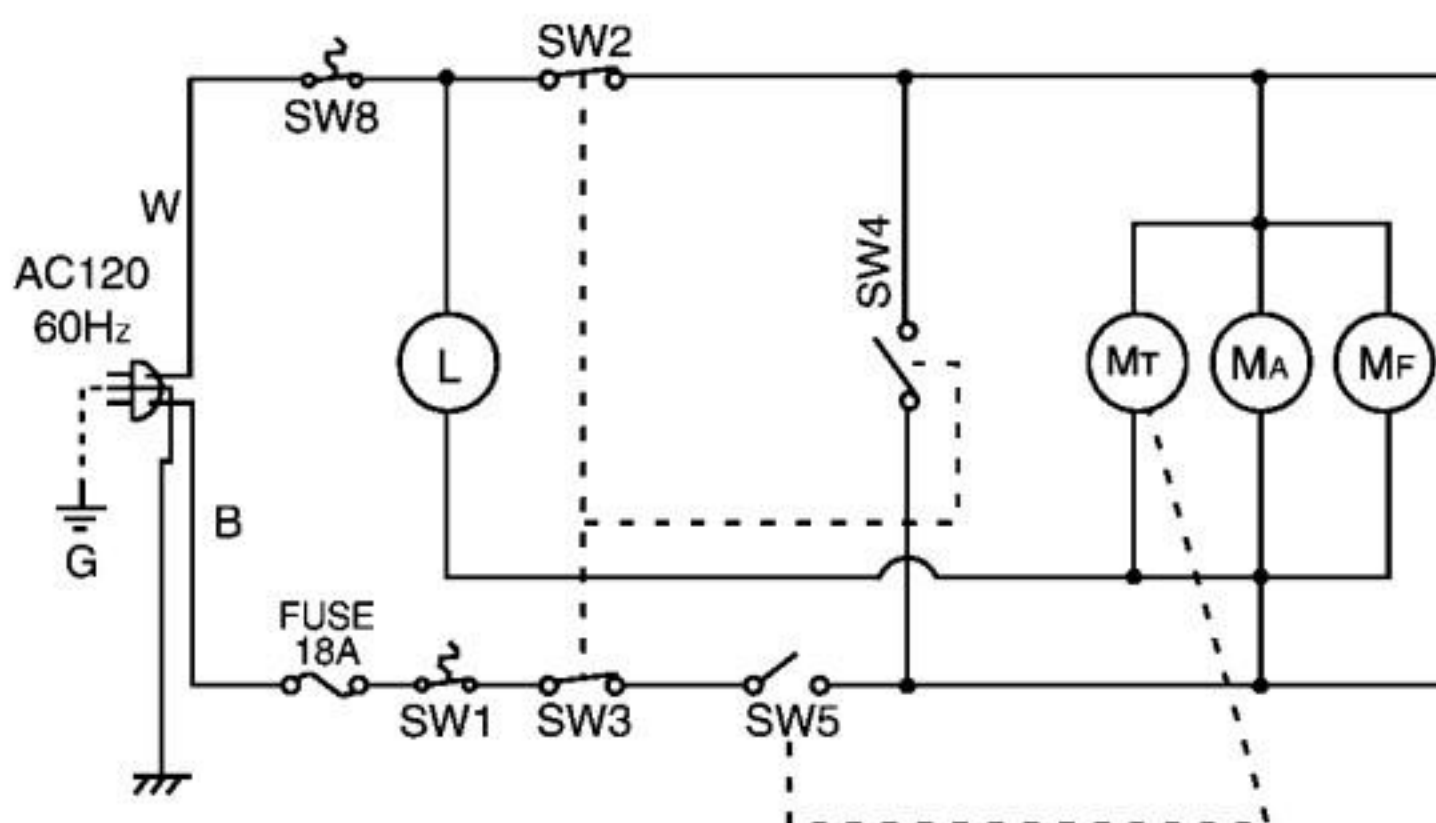


NOTE: Door is closed.
Timer switch is OFF.

CAUTION:
HIGH VOLTAGE AREA

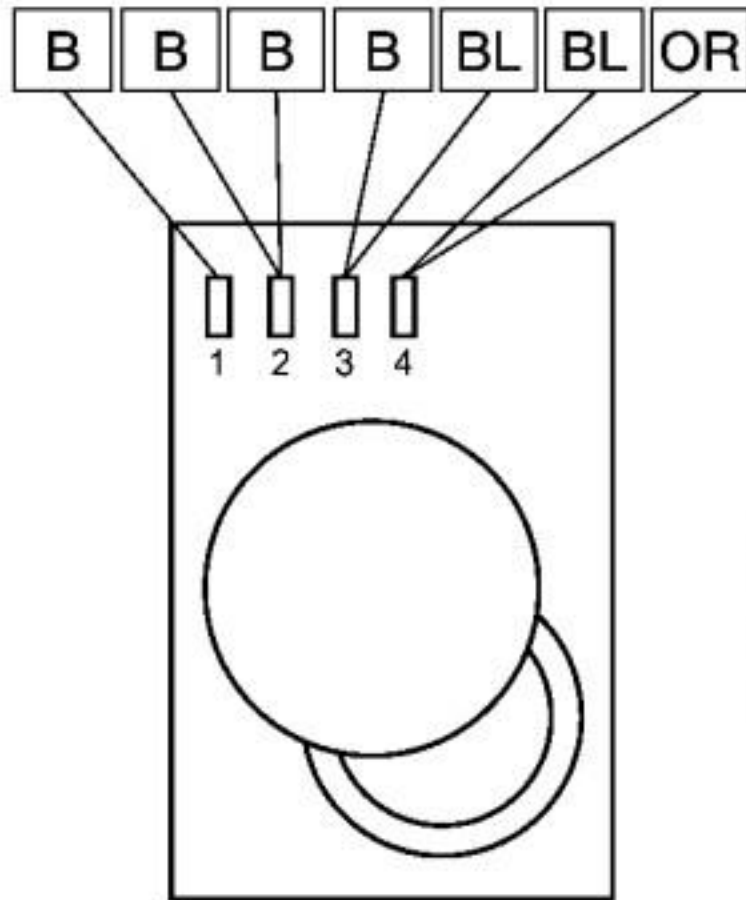


- SW1 THERMAL CUTOUT (OVEN)
- SW2 PRIMARY INTERLOCK SWITCH
- SW3 SECONDARY INTERLOCK SWITCH
- SW4 MONITOR INTERLOCK SWITCH
- SW5 TIMER SWITCH
- SW8 THERMAL CUTOUT (MAGNETRON)
- ⏏ GROUNDING
- ⏏ CHASSIS GROUND
- ⏏ FUSE
- M_F FAN MOTOR
- C_H HIGH VOLTAGE CAPACITOR
- ▶ DIODE
- ▶▶ PROTECTOR DIODE
- T_H HIGH VOLTAGE TRANSFORMER
- L OVEN LAMP
- M_A ANTENNA MOTOR
- M_T TIMER MOTOR

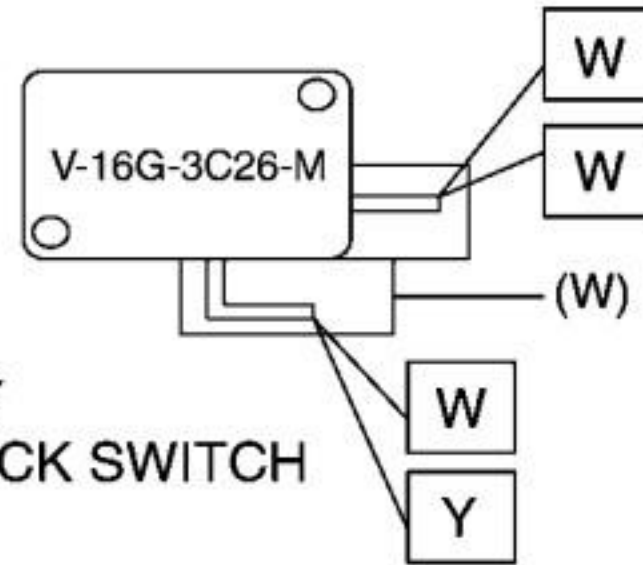
IMPORTANT SAFETY NOTICE: POTENTIALS ABOVE 120V IS PRESENT ON THE PARTS AND WIRING IN SECONDARY CIRCUIT OF HIGH VOLTAGE TRANSFORMER. WHEN OVEN IS ENERGIZED. EXTREMELY CARE SHOULD BE TAKEN DURING REPAIR.

WIRING DIAGRAM

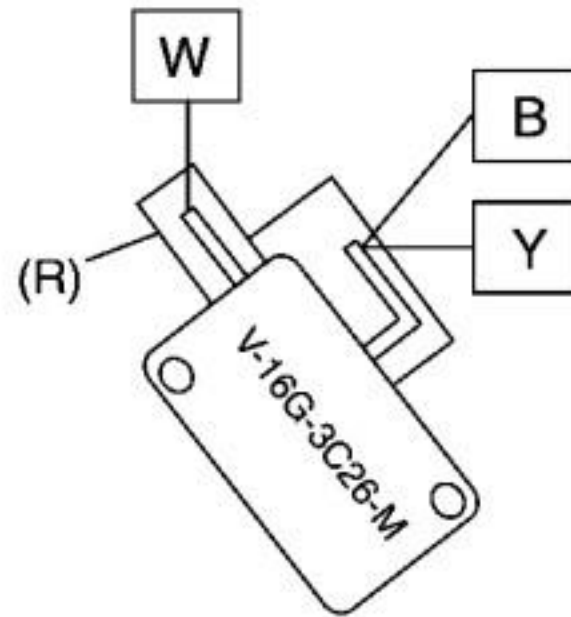
**NOTE: * When replacing, check the lead wire color as shown.
*Colors shown by () indicate colors of lead wire connector housing.**



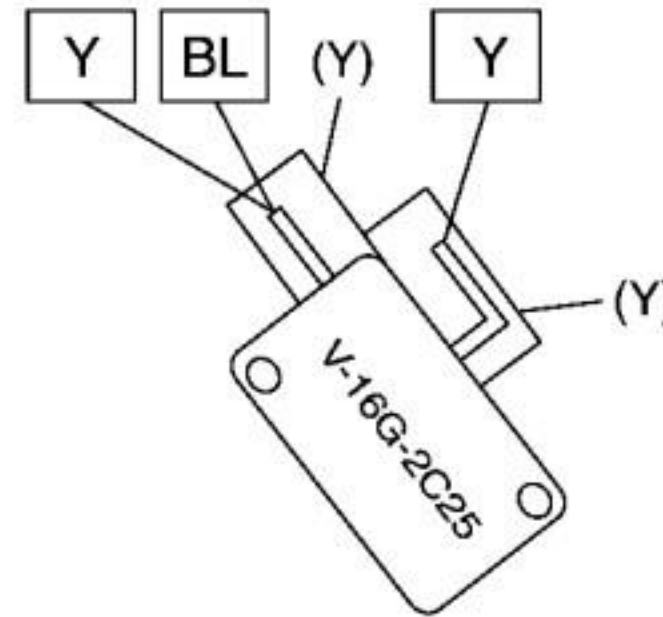
Timer
Timer Motor (3-4)
Timer Switch (1-2)



PRIMARY INTERLOCK SWITCH TOP



SECONDARY INTERLOCK SWITCH BOTTOM (OUTSIDE)



MONITOR INTERLOCK SWITCH BOTTOM (INSIDE)

SYMBOL	COLOR
OR	ORANGE
BL	BLUE
BR	BROWN
W	WHITE
Y	YELLOW
R	RED
GR	GRAY
B	BLACK
G	GREEN
N	NATURAL

(S-8K7)