

OPERATING INSTRUCTIONS

PRINCE CASTLE INC. WORLDWIDE

Conveyor Toaster Model No. 420 & 421 Series

Excalibur®



Prince Castle's line of Radiant Conveyor Toasters feature compact designs with easy to use controls, and they are available in two slice and three slice models. During off-peak times, a 1/4 power stand-by switch conserves power. All models feature reliable quartz radiant elements for quick heat-up, removable crumb tray, and loading chute.

ELECTRICAL INFORMATION

<u>Model</u>	<u>Volts</u>	<u>Watts</u>	<u>Amps</u>	<u>Hz</u>	<u>Plug</u>
420-A	120	1750	14.7	60	5-15P*
420-B	208	2800	13.5	60	6-20P*
420-C	220	2800	12.8	50	No Plug
420-D	240	2800	11.7	60	6-20P*
421-B	208	3600	17.4	60	6-30P*
421-C	220	3500	15.9	50	No Plug
421-D	240	3600	15.0	60	6-30P*

*All plugs are NEMA

LIMITED WARRANTY

This product is warranted to be free from defects in material and/or workmanship for a period of two (2) years from date of original installation, not to exceed 30 months from date of shipment from our factory. (18 months for heater burnout.) On-location service for failure within 30 days of installation.

Any component which proves to be faulty in material and/or workmanship will be replaced or repaired (at the option of Prince Castle, Inc.) without cost to the customer for parts or labor.

This warranty is subject to the following exceptions/conditions:

- Use of any non-genuine Prince Castle parts voids this warranty.
- This equipment is portable; charges for on-location service (e.g., trip charges, mileage) are not included in the provisions of this warranty.
- All labor shall be performed during regular work hours. Overtime premium will be charged to the buyer.
- All problems due to operation at voltages other than specified on equipment nameplates do not apply to warranty. Conversion to correct voltage must be the customers responsibility.
- Damage caused by carelessness, neglect, and/or abuse (e.g., dropping, tampering or altering parts), equipment damaged in shipment, by fire, flood or an act of God is not covered under this warranty.
- This toaster must be serviced by a Prince Castle Authorized Service Center or a Prince Castle Service Technician. Failure to do so can void this warranty.

PRINCE CASTLE INC. 
WORLDWIDE

355 East Kehoe Blvd. • Carol Stream, IL 60188

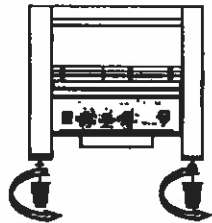
Tel: (630) 462-8800 • Fax: (630) 462-1460

Toll Free: 1-800-PCASTLE

INSTALLATION

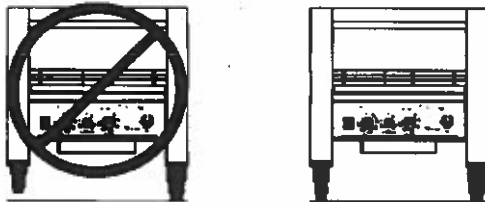
1. After you have removed the toaster from the carton, inspect the unit for signs of damage. If there is damage to the unit:
 - Notify carrier within 24 hours after delivery.
 - Save carton and packing materials for inspection purposes.
 - Contact your local Prince Castle Distributor for replacement or the Prince Castle Customer Sales Department at 1-800-722-7853 if purchased directly.
2. Verify that all parts have been received.
3. Attach (4) legs to toaster by screwing in each leg

figure 1



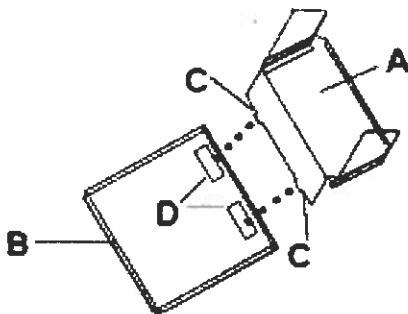
clockwise. See figure 1.

figure 2



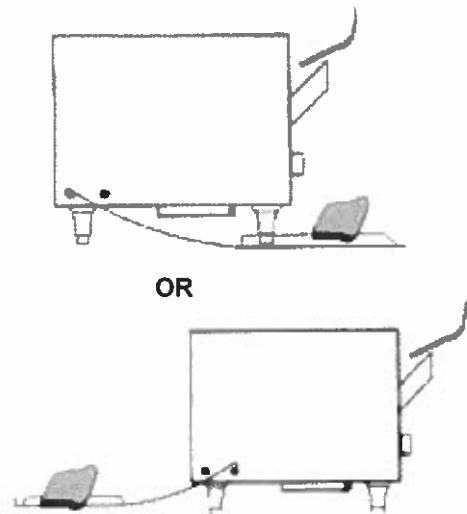
4. Make sure toaster is level. See figure 2.
5. Attach load up tray (A in figure 3) to the crumb tray (B in figure 3) by hooking the tabs (C in figure 3) of the load up tray onto the holes (D in figure 3) of the crumb tray.

figure 3



6. Attach return chute to toaster. See figure 4.

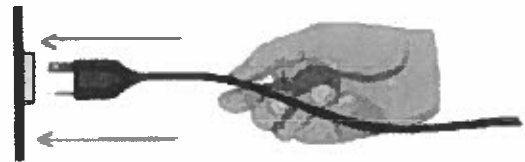
figure 4



OPERATION

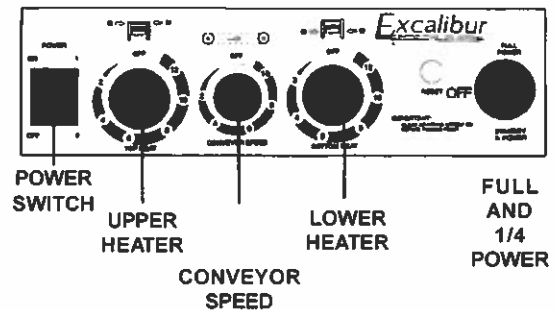
1. Plug unit into the proper voltage receptacle. See figure 5.

figure 5



2. Turn power switch to ON.
3. Select full power or 1/4 power by turning the knob on the right side of the control panel. See figure 6.

figure 6

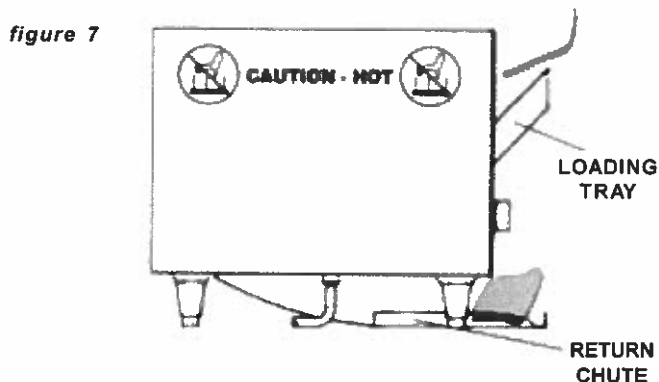


IMPORTANT: The 1/4 power setting should be used as an idle mode during non-use. This saves energy and allows the unit to reach toast temperature quickly when the knob is turned to full power.

4. To toast product:
 - Switch to full power.
 - Set conveyor speed – 10-fastest, 1-slowest.
 - Set upper heater – 12- high, 1-low.
 - Set lower heater – 12-high, 1-low.

IMPORTANT: For one sided toasting, upper or lower heater can be set to OFF. See figure 6.

5. Feed product into the toaster by using the loading tray. See figure 7.



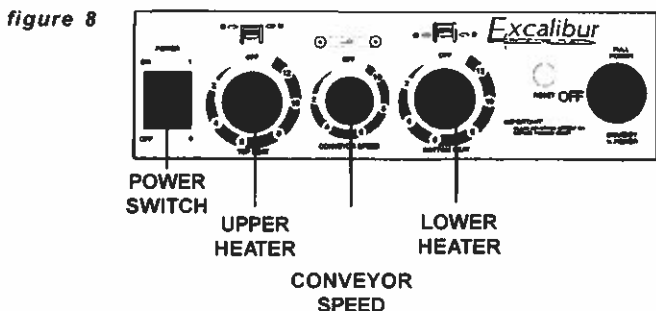
CAUTION: Loading tray and return chute are very hot.

6. Toasted product will fall from back of toaster via return chute.

CLEANING

CAUTION: This appliance is not watertight. Do not clean with a water jet/jet spray. Do not immerse appliance in water.

1. Turn the upper and lower heaters and conveyor speed to the OFF position. See figure 8.



2. Turn power switch off and allow toaster to cool down for 20 to 30 minutes.

3. Unplug toaster.
4. To remove loading tray, pull up and back on the loading tray. Unhook and pull out return chute, and slide crumb tray out for cleaning.
5. Remove air duct, from bottom of toaster and clean any debris from fan vent guard.

IMPORTANT: When attaching the air duct be sure to have open end facing the front of the toaster.

6. Wipe across the top side of the conveyor with a damp cloth.
7. Turn the conveyor on until it turns a 1/2 conveyor turn. Then turn the conveyor off and repeat step 6 for the other half of the conveyor.
8. Clean exterior of toaster with a damp cloth.

CAUTION: Do not wet heat tubes. This may cause a short and damage the heat tube.

IMPORTANT: All bun settings are based on cut side down and crust side up. Toast time will vary based on personal preference and moisture content of product.

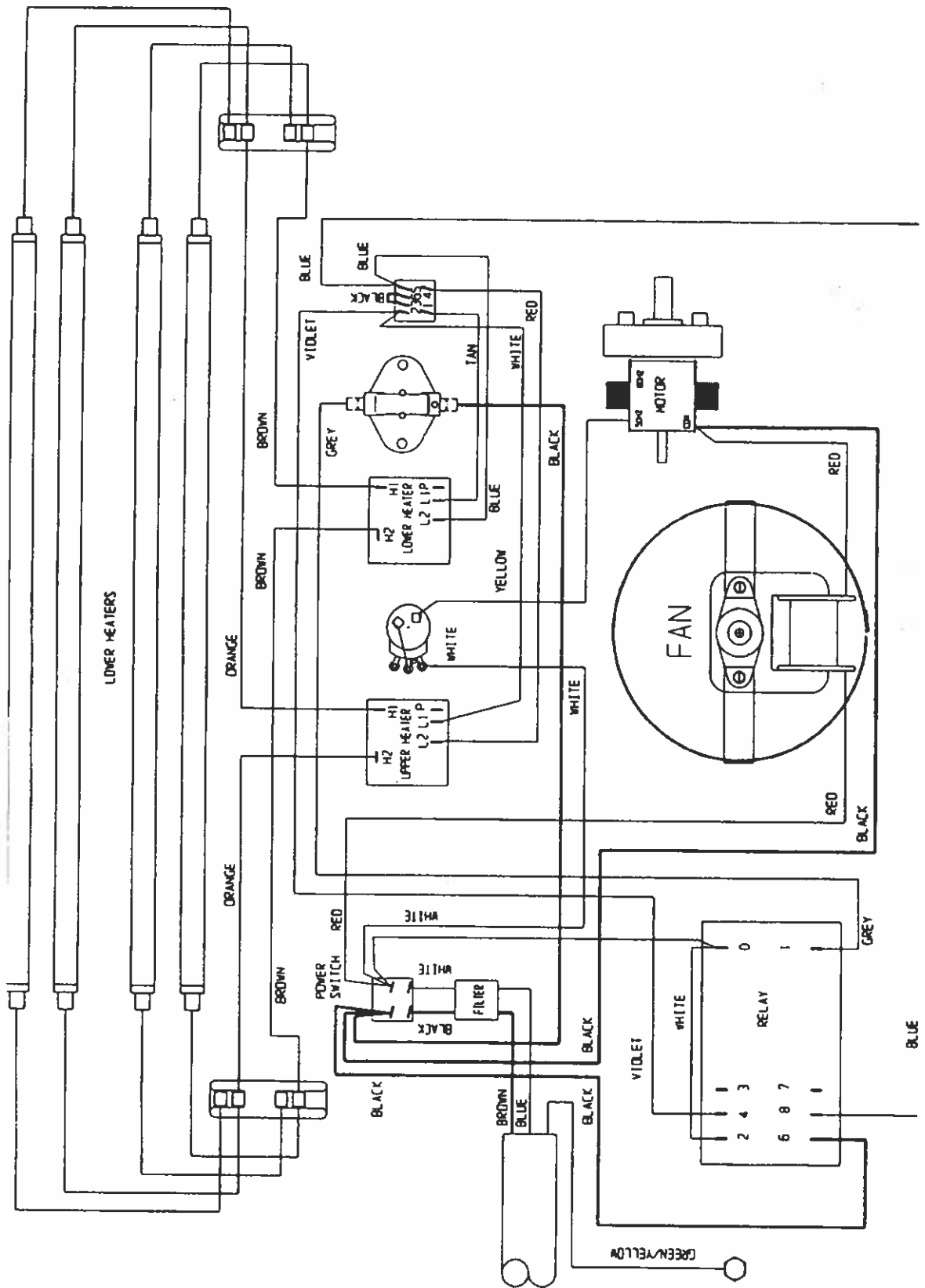
SUGGESTED TOASTING SETTINGS

Product	Upper Heater	Lower Heater	Conveyor Speed
White Bread	12	11	6
Bagels	4	12	6
English Muffins	4	12	5
Croissant	4	12	8
Hamburger Buns	0-2	12	6
Wheat Bread	12	8	6

PARTS LIST

ITEM	PART NO.	DESCRIPTION	ITEM	PART NO.	DESCRIPTION
1	421-055	Structure Assy.	31	421-124	Cover (421 Series)
2	421-102	Leg		421-123	Cover (420 Series)
3	421-065	Drive Shaft Assy. (421 Series)	32	421-083	Left Side Cover
	421-087	Drive Shaft Assy. (420 Series)	33	421-062	Right Side Cover
4	421-069	Idler Shaft Assy. (421 Series)	34	421-051	Bottom Cover
	421-088	Idler Shaft Assy. (420 Series)	35	421-053	Air Duct Dome
5	421-286-4S	Spherical Bearing	36	421-003	Return Chute (421 Series)
6	421-081	Stopper Bracket		421-098	Return Chute (420 Series)
7	421-007-1S	Heater, 208 Volt (421-B)	37	421-050	Front Overlay
	421-007-2S	Heater, 240 Volt (421-D)	38	421-033	Crumb Tray (421 Series)
	421-007-3S	Heater, 208 Volt (420-B)		421-034	Crumb Tray (420 Series)
	421-007-4S	Heater, 240 Volt (420-D)	39	421-060	Loading Tray (421 Series)
	421-007-5S	Heater, 220 Volt (421-C)		421-093	Loading Tray (420 Series)
	421-007-6S	Heater, 220 Volt (420-C)	40	72-161S	Power Cord (421-B & 421-D)
	421-007-7S	Heater, 120 Volt (420-A)		72-159S	Power Cord (420-B & 420-D)
8	CL1724	Tray Bushing		72-163S	Power Cord (420-C & 421-C)
9	421-072	Idler Sprocket			(No Plug Provided)
10	87-018S	Gear Motor (208, 220 & 240V)		72-165S	Power Cord (420-A, 120 Volt)
	87-020S	Gear Motor (120 Volt)	41	66-037	Strain Relief Bushing
11	421-071	Drive Sprocket			(420-B, 420-D, 421-B,
12	421-073	Drive Chain Link			421-C & 421-D)
13	421-084	Retainer		66-006	Strain Relief Bushing
14	421-064	Conveyor (421 Series)	42	421-117	Support
	421-089	Conveyor (420 Series)	43	421-139	Motor Guard
15	421-091	Clip (421 Series)	44	88-577	Fuse Block
	421-090	Clip (420 Series)	45	88-578	Fuse
16	421-103	Bracket	A	76-300	Pan Head Screw 8-32 x 1/4
17	77-059	Terminal Block	B	76-303	Pan Head Screw 10-32 x 1/2
18	66-035	Snap Bushing		79-078	Flat Washer
19	421-133S	Speed Control Assy. (420A)		73-030	Hex Nut 1/4-20
	421-134S	Speed Control Assy.	C	76-373	Binder Head Screw 1/4-20 x 5/8
20	78-172S	Power Switch		79-083	Flat Washer
21	78-173S	Heat Control Switch (208V, 220V, 240V)		73-028	Hex Nut 1/4-20
22	421-108S	High Limit Thermostat	D	76-223	Pan Head Screw 8-32 x 1/2
	421-175S	High Limit Thermostat (420-A)		79-143	Flat Washer #8
23	78-175S	Rotary Switch	E	76-069	Pan Head Screw 8-32 x 1/2
24	70-042	Heat Control Knob		73-021	Hex Nut 8-32
25	70-043	Speed Control Knob	F	76-223	Pan Head Screw 8-32 x 1/2
26	421-075	Fan Motor (208, 220, & 240 Volt)		73-021	Hex Nut 8-32
	87-019S	Fan Motor (120 Volt)	H	76-044	Binder Head Screw 8-32 x 5/8
27	421-077	Fan Motor Guard Assy.	J	76-604	Binder Head Screw 8-32 x 5/8
28	421-076	Fan Blade		73-021	Hex Nut 8-32
	421-074S	Includes #26 & 28	K	74-064-2	Flat Washer 3/8 ID
29	421-112	Spacer		74-064-3	Hex Jam nut 3/8-32
30	421-063	Back Cover (421 Series)	L	76-289	Self Tapping Screw 8 x 3/8
	421-099	Back Cover (420 Series)	M	76-303	Pan Head Screw 10-32 x 1/2
				79-034	Split Lock Washer #10

WIRING DIAGRAM



TROUBLESHOOTING CHART

PROBLEM	CAUSE	SOLUTION
High limit reset tripped.	Toaster overheating due to blockage of airflow. Airflow fan inoperable.	Remove fan vent guard located underneath toaster. Clean any debris from the vent that might be blocking the flow. Replace fan motor.
No power.	Circuit breaker tripped. Power switch inoperable. Broken wire in power cord.	Reset circuit breaker. Replace power switch. Replace power cord.
Toaster conveyor not turning.	Conveyor motor inoperable. Conveyor speed switch inoperable.	Replace motor. Replace speed switch. Replace fuse.
Conveyor chain binds up in operation.	Sprockets worn. Excessive slack in conveyor chain.	Replace sprockets. Remove a chain link.
Toaster overheating.	Airflow blockage. Fan not working due to inoperable fan motor.	Clean excessive debris from fan vent guard. Replace fan motor. Replace fuse.
Upper and lower heat tubes not heating.	Heater switch inoperable. Heater tube inoperable.	Replace heater switch. Replace heater tube.
Bread product burning.	Conveyor speed too slow. Upper or lower heater setting too high.	Adjust to proper settings (See suggested settings on page 3).
Bread product too light.	Conveyor speed too fast. Upper or lower heating too low.	Adjust to proper settings (See suggested settings on page 3).



CAUTION: Turn off power switch, unplug toaster from wall outlet, and let toaster cool down before doing any repairs. All repairs should be done by a qualified service technician.

