

OPERATING INSTRUCTIONS

Potato Witch® Model No. 913, 914 & 915



Prince Castle's Potato Witch® cuts potatoes and other vegetables with ease. A single stroke produces shoestring-style or steak-cut fries. Fast and easy, the Potato Witch® provides superior leverage for a superior performance. Designed for safe, heavy-duty commercial use. Sturdy frame with base and 1/2" guide rods. Precision sharp, stainless steel blades and two handles give perfect balance for easy cutting.

PRODUCT SPECIFICATION

Model No. 913: 3/8 Square cut
Model No. 914: Six-section wedge (steak fries)
Model No. 915: Eight-section wedge (steak fries)

Height	17" (43.2 cm)
Width	8" (20.3 cm)
Length	10" (25.4 cm)
Shipping Weight:	12 lbs. (5.44 kg)

TABLE OF CONTENTS	PAGE
Installation	2
Operating	2
Cleaning	2
Parts Identification	3

LIMITED WARRANTY

This product is warranted to be free from defects in material and/or workmanship for a period of two (2) years from the date of original installation, not to exceed 30 months from the date of shipment from our factory **with the exception of the blades**. Blades are warranted to be free from defects at time of delivery only.

Any component which proves to be faulty in material and/or workmanship will be replaced or repaired (at the option of Prince Castle, Inc.) without cost to the customer for parts or labor.

This warranty is subject to the following exceptions/conditions:

- This equipment is portable; charges for on-location service (e.g., trip charges, mileage) are not included in the provisions of this warranty.
- Damage caused by carelessness, neglect, and/or abuse (e.g., dropping, tampering or altering parts), equipment damaged in shipment, by fire, flood or an act of God is not covered under this warranty.
- Blades are warranted to be free from defects in material and/or workmanship at time of delivery only.

INSTALLATION

1. After you remove the Potato Witch® from the carton, inspect the unit for signs of damage. If there is damage to the unit:
 - Notify carrier within 24 hours after delivery.
 - Save carton and packing materials for inspection purposes.
 - Contact your local Prince Castle dealer or if purchased directly, the Prince Castle Customer Sales Department at 1-800-722-7853 to arrange for a replacement.
 - All inoperable warranty parts must be returned to the Service Center.



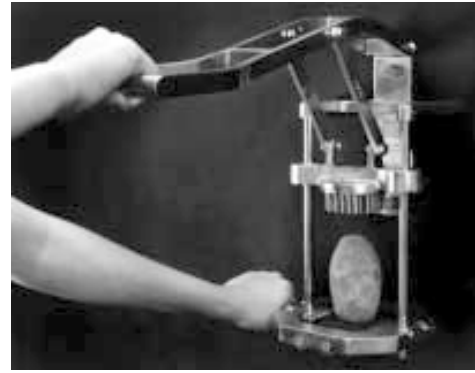
CAUTION: Blades are extremely sharp.

2. To mount Potato Witch® directly to the wall, hold it up against the wall in the selected mounting area, and mark the two holes for correct drilling location.
3. Using a $\frac{5}{16}$ " drill bit, drill the two marked holes and fill with a $\frac{5}{16}$ " anchor mount. Mount the Potato Witch® to the wall with the provided flat head screwdriver.
4. The Potato Witch® can also be mounted to an optional wall mounting plate (913-5) which can be purchased from Prince Castle.
5. Place the mounting plate against the wall and mark the two outside holes with a pencil.
6. Drill the holes using a $\frac{3}{8}$ " drill bit. Put a $\frac{7}{16}$ " anchor into the wall.
7. Put the two $\frac{5}{16}$ " flat head screws through the back of the mounting plate. Mount the mounting plate to the wall using two $\frac{7}{16}$ " flat head screws.
8. Line up the Potato Witch® mounting plate with the two flat head screws, and tighten with wing nuts provided.

OPERATION

1. With your right hand, raise pusher handle to the extreme upright position. Using a fork, place product on blades. See figure 1.

figure 1



2. Grasp handle at base of potato witch, with left hand. Bring the pusher head handle downward in one quick, firm stroke. See figure 2.

figure 2



MAINTENANCE

1. Lubricate guide rods daily.
2. Tighten blades daily with hex head wrench provided.

IMPORTANT: Loose blades can cause damage to the blades and the pusher head.

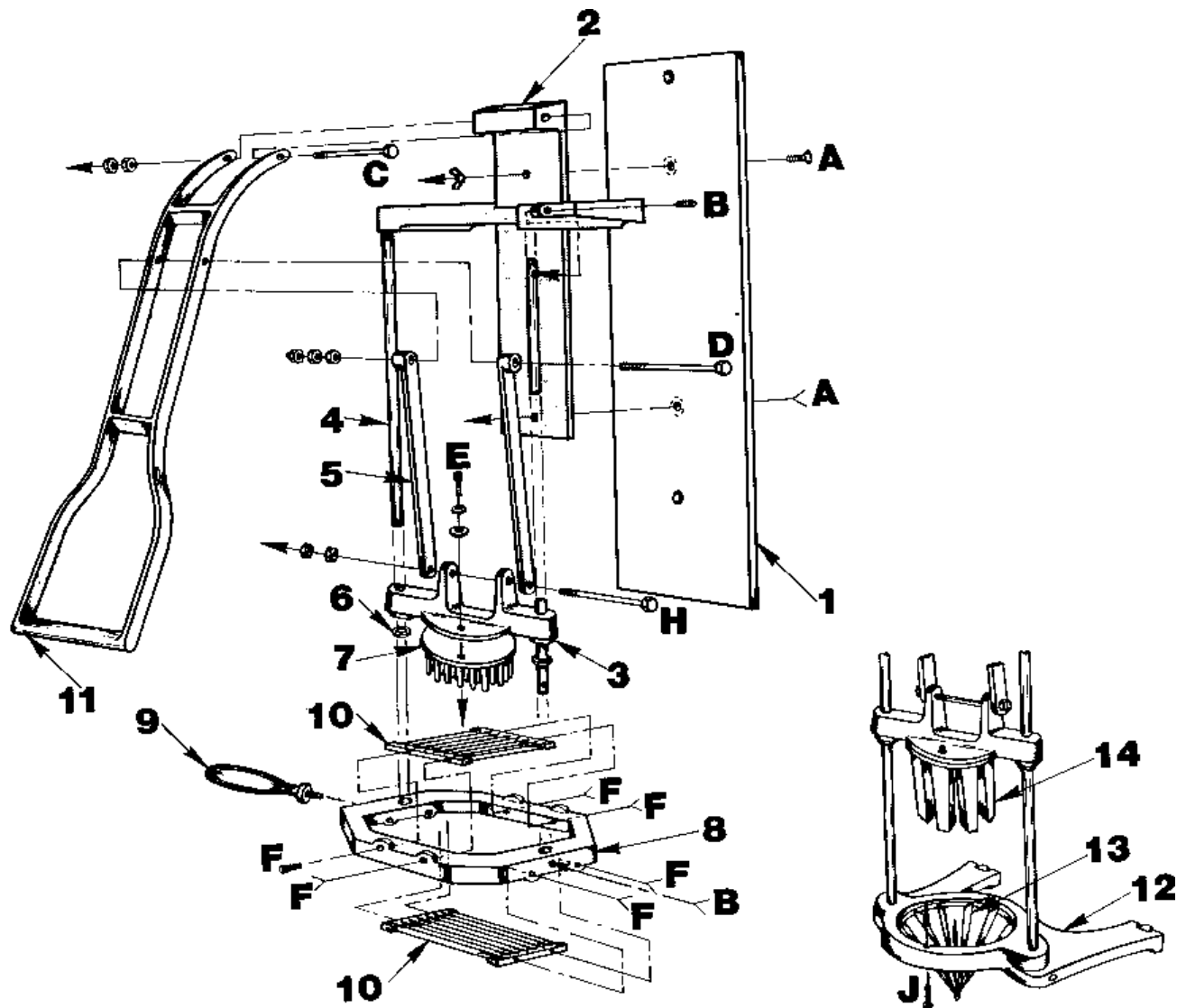
CLEANING

1. Immerse unit into hot soapy water, using spray if available, rinse thoroughly. Spray wash unit.
2. Rinse thoroughly. Let air dry.

IMPORTANT: Use Prince Castle model number 912-107 cleaning brush.



CAUTION: Clean blades from reverse side.



PARTS LIST

ITEM	PART NO.	DESCRIPTION	ITEM	PART NO.	DESCRIPTION
1	913-5	Wall Mounting Plate (Optional)	A	76-493	Flat Head Screw $\frac{5}{16}$ -18 X $1\frac{1}{4}$
2	913-6	Base			(Part of 913-5)
3	913-15	Slide plate			Wing Nut (Part of 913-5)
4	913-14	Guide Rod (914 & 915)	B	76-202	Set Screw $\frac{1}{4}$ -20 X $\frac{1}{4}$
	913-35	Guide Rod (913)	C	919-19	Top Pivot Pin $\frac{1}{4}$ -20 X $3\frac{1}{4}$
5	912-34	Connecting Link Left			Self Locking Nut
	912-35	Connecting Link Right	D	912-15	Middle Pivot Pin $\frac{1}{4}$ -20 X $4\frac{1}{2}$
6	910-17	Guide Rod Cushion (Pkg of 2)			Self Locking Nut
7	913-21	Pusher Head (913)	E	76-242	Socket Hd. Cap Screw $\frac{1}{4}$ -20
8	913-36	Blade Frame (913)			Flat Washer $\frac{1}{4}$
9	911-114	Handle	F	911-15	Socket Hd Cap Scr $\frac{1}{4}$ -20
10	913-1	Replacement Blade Set			(Pak of 12) (913 only)
11	912-8	Pusher Handle	H	76-534	Bottom Pivot Pin $\frac{1}{4}$ -20
12	914-5	Blade Frame (914 & 915)			Self Locking Nut
13	908-1	Replacement Blade Set (8 Sec) (915)	J	76-529	Screw 6-32 X $\frac{3}{4}$ (914 & 915)
	914-1	Replacement Blade Set (6 Sec) (914)			
14	915-2S	Pusher Head (8 Sec) (915)			
	914-6	Pusher Head (6 Sec) (914)			
15	919-18	Feet (Pkg of 4) Not Shown			