

# Replacement Parts – Direct Draw Dispensers - Remote

MODEL NOS.	DR2KP	DR3KP	DR4KP
<b>All Models</b>			
Left hinged door assembly	64357SLBL-LK	64357SLBL-LK	64357SLBL-LK
Left hinged door assembly, SS	64357SLSS-LK	64357SLSS-LK	64357SLSS-LK
Right hinged door assembly	64357SRBL-LK	64357SRBL-LK	64357SRBL-LK
Right hinged door assembly, SS	64357SRSS-LK	64357SRSS-LK	64357SRSS-LK
Magnetic door gasket	62085-1	62085-1	62085-1
Hinge set, left	63407L	63407L	63407L
Hinge set, right	63407R	63407R	63407R
Elbow-nylon 3/4" F.P.T. x 1/2" barb	57736-1	57736-1	57736-1
Glass rack	C24639-1	C24639-1	C24639-1
Wiring harness	61247-1	61247-1	61247-1
Fan motor	C15239A	C15239A	C15239A
5 1/2" diameter fan blade	57699	57699	57699
Fan guard assembly	C25395	C25395	C25395
<b>Two keg model</b>			
Two-way air distributor assembly	C18942	N/A	N/A
Complete coil assembly	62495A	N/A	N/A
1/2"trans vinyl beverage tubing 9 ft.	1390R	N/A	N/A
<b>Three and four keg models</b>			
Three-way air distributor assembly	N/A	C18943	N/A
Complete coil assembly	N/A	62496A	N/A
1/2"trans vinyl beverage tubing 10.5 ft.	N/A	1390TR	N/A
Four-way air distributor assembly	N/A	N/A	C18944
Complete coil assembly	N/A	N/A	62496A
1/2"trans vinyl beverage tubing 13 ft.	N/A	N/A	1390TR

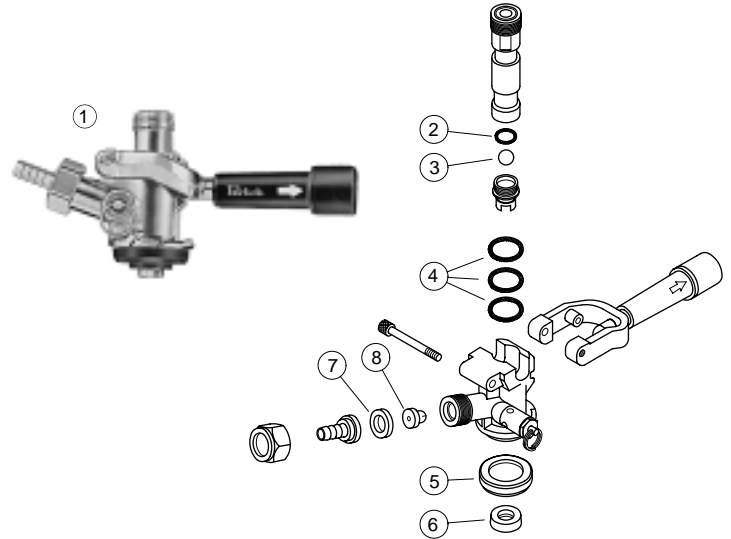


Perlick is committed to continuous improvement. Therefore, we reserve the right to change specifications without prior notice.

# Replacement Parts – Direct Draw Dispensers - Remote

## For Single Valve Keg Coupler (Series D)

Item No.	Part No.	Description
1	26000D	Single valve keg coupler
2	C14316	"O" ring
3	31080-2P	Ball check
4	31089-2P	"O" ring (3 per assembly)
5	31088-2P	Bottom seal washer
6	31087-2P	Probe washer domestic
7	157R2P	Coupling Gasket
8	23682-2P	Check valve



## Miscellaneous

Part No.	Description
157L2P	Beer line connector gasket
57F2P	CO <sub>2</sub> tank washer
1392R	Red air hose
529	Beer hose
2928D	Twin gauge CO <sub>2</sub> regulator