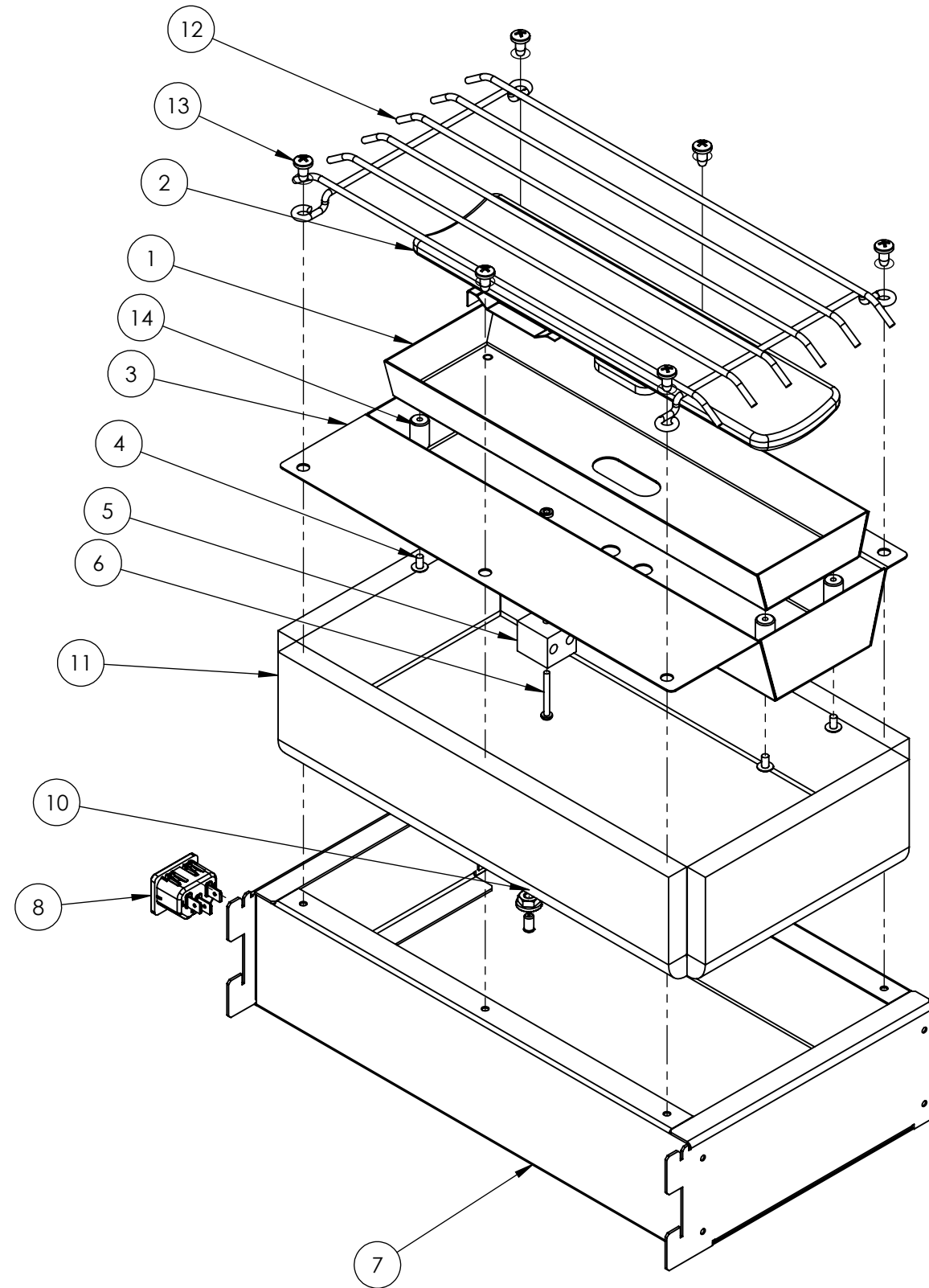
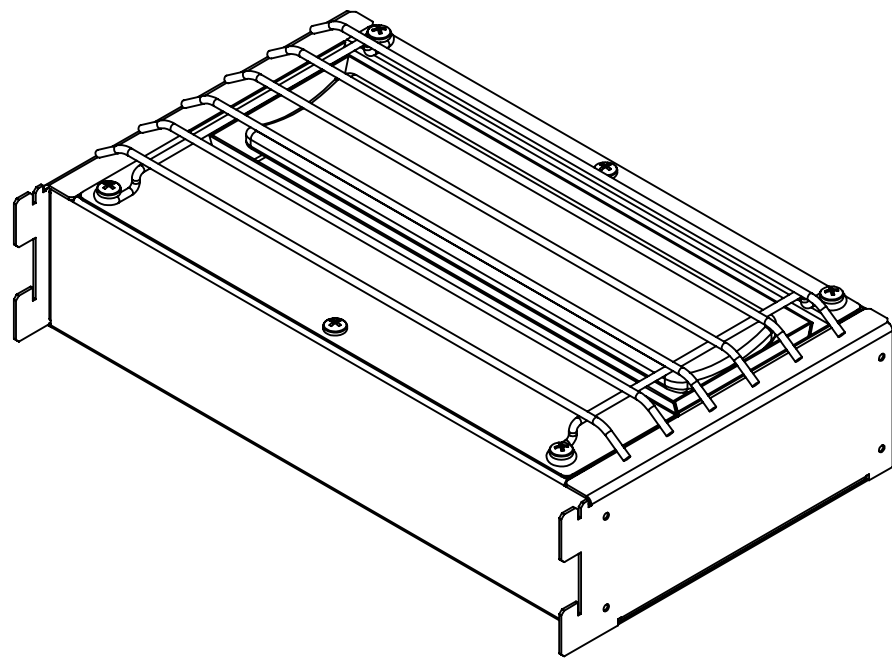


ITEM NO.	PART NUMBER	DESCRIPTION	QTY.
1	83354	REFLECTOR CERAMIC HEATER	1
2	83358	HEATER CERAMIC IR 240V	1
3	83363	COVER HEAT LAMP	1
4	83061	SCREW, 6-32 X .250 TRUSS PH SS	4
5	83383	TERMINAL BLOCK HEAT LAMP	1
6	37951	SCREW, PAN HEAD #4-40 X 1.00	1
7	83368	HEAT LAMP BODY ASM	1
8	83381	PLUG HEAT LAMP	1
9	83359	WIRE SET , HEAT LAMP	1
10	83600	NUT, 10-32, SERRATED FLANGE S/S	1
11	83384	HEAT LAMP INSULATION KIT	1
12	83370	GUARD HEAT LAMP	1
13	4812	SCREW, MACH, #10 x 3/8	6
14	83357	STANDOFF, CERAMIC, 6-32 x 5/8	4



NOTES:

1. 83359 WIRES, NOT SHOWN.
2. WIRES ON ITEM (2) NOT SHOWN FOR CLARITY.