



BUILT TO LAST BUILT TO LAST BUILT TO LAST BUILT TO LAST BUILT TO LAST BUILT TO LAST

**Precision  
Mixers**

BUILT TO LAST BUILT TO LAST BUILT TO LAST

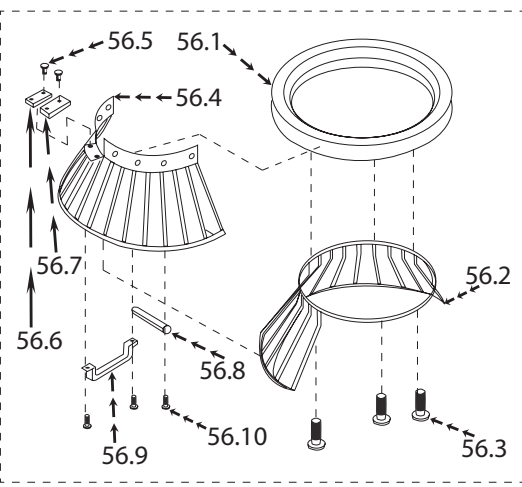
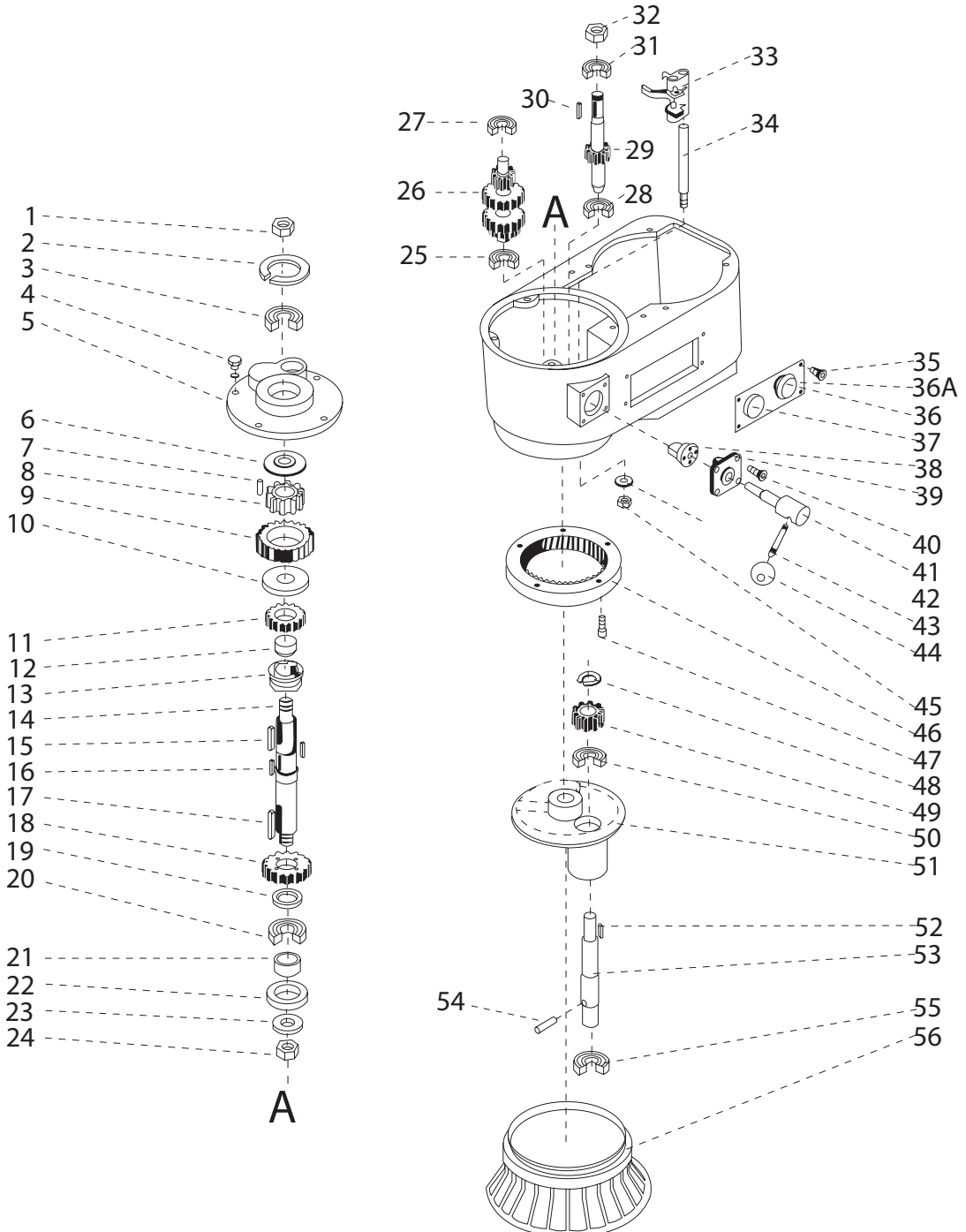
BUILT TO LAST BUILT TO LAST BUILT TO LAST BUILT TO LAST BUILT TO LAST BUILT TO LAST

---

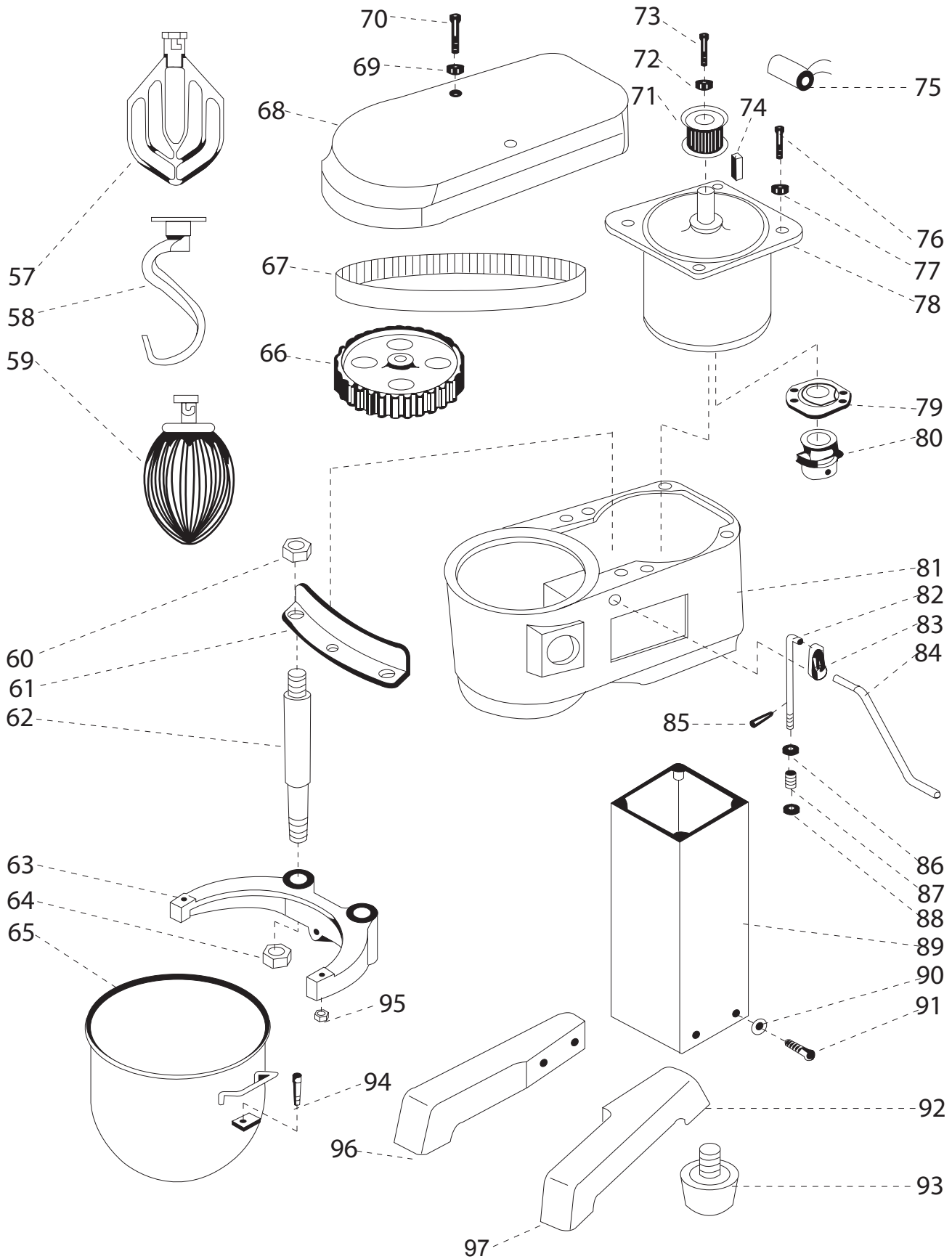
# **Parts Breakdown Instructions & Warranty AV-01**

---

**Precision North America Food Machinery LLC.  
60 Commerce Ave.  
Albany, New York 12206  
Phone: 518-462-3387 Fax: 518-462-3389  
1-877-R-MIXERS (1-877-764-9377)  
[www.precisionmixers.com](http://www.precisionmixers.com)**







**Precision 10-Quart, Model # AV-01**

<b>Item #</b>	<b>Part#</b>	<b>Description</b>	<b>Item#</b>	<b>Part#</b>	<b>Description</b>
57	10057	Beater	78	10078	Motor
58	10058	Dough Hook	79	10079	Stationary Start Switch
59	10059	Whisp	80	10080	Rotary Start Switch
60	10060	Nut	81	10081	Cast Transmission
61	10061	Plate	82	10082	Lift Link Arm
62	10062	Shaft	83	10083	Yolk
63	10063	Bowl Lift, Cast	84	10084	Lift Handle
64	10064	Nut	85	10085	Pin
65	10065	Stainless Steel Bowl	86	10086	Nut
66	10066	Bevel Gear	87	10087	Spring
67	10067	Belt	88	10088	Nut
68	10068	Cover, Cast	89	10089	Column
69	10069	Nut	90	10090	Washer
70	10070	Bolt	91	10091	Screw
71	10071	Pully	92	10092	Base, Cast
72	10072	Nut	93	10093	Foot
73	10073	Bolt	94	10094	Pin
74	10074	Key	95	10095	Nut
75	10075	Capacitor	96	10096	Leg left
76	10076	Bolt	97	10097	Leg Right
77	10077	Nut			