

SPARE PARTS DIAGRAM FOR



Fryer
SLG Series

First Choice Group
Blakeney Way, Kingswood Lakeside
Cannock, Staffs, WS11 8LD
TEL: 01543 577778 FAX: 01543504141
Email: enquires@firstchoice-cs.co.uk
Web: www.firstchoice-cs.co.uk



IMPORTANT FOR FUTURE REFERENCE

Please complete this information and retain this manual for the life of the equipment:

Model #: _____

Serial #: _____

Date Purchased: _____

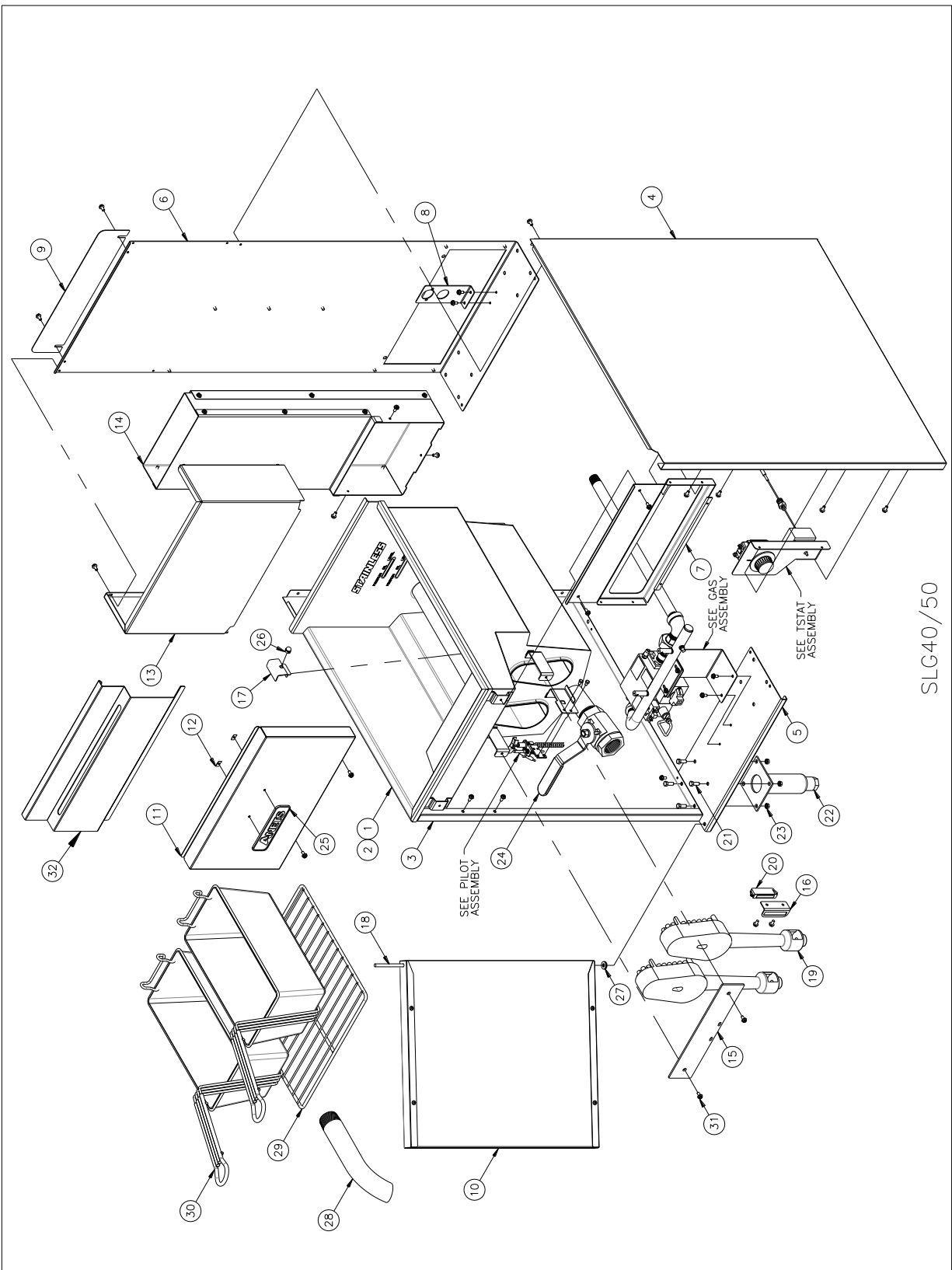
UK, MT

AUSTRALIA

Parts Manual Covering
SLG Series



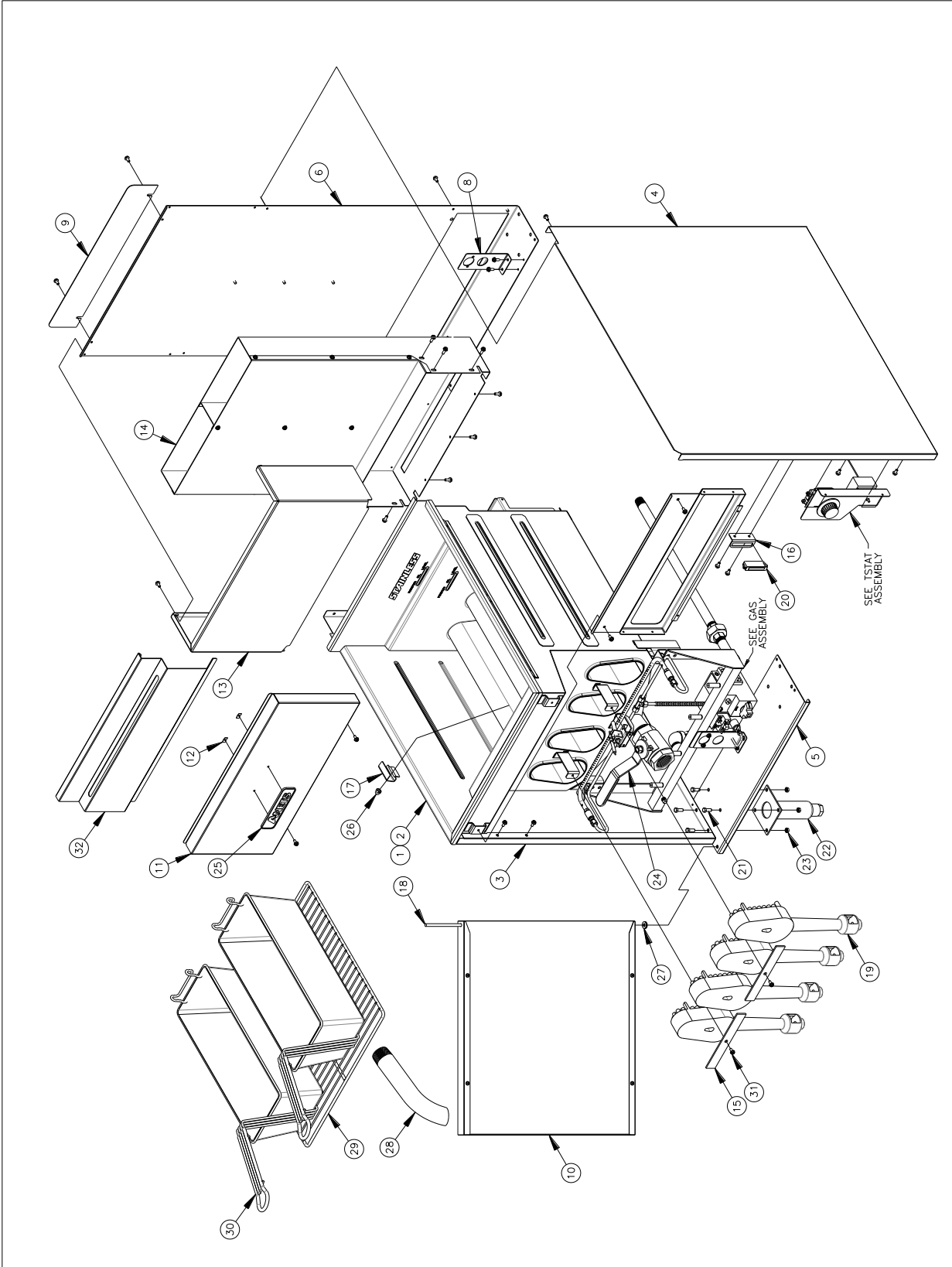
5 SLG40 Exploded Parts Diagram



5.1 SLG40 Exploded Parts List

| ITEM# | PART# | PART DESCRIPTION |
|-------|-----------|--|
| 1 | B3332601 | TANK, WELDMENT SLG40 (BAFFLES WELDED TO TANK) |
| 2 | B1004001 | BAFFLE, WELDMENT SLG40 (SERVICE) |
| 3 | A1540001 | CABINET SIDE, LEFT HAND SLG40 BEFORE JULY 2013 |
| | A1541101 | CABINET SIDE, LEFT HAND SLG40 POST JULY 2013 |
| 4 | A1540005 | CABINET SIDE, LEFT HAND SLG40 BEFORE JULY 2013 |
| | A1541103 | CABINET SIDE, LEFT HAND SLG40 POST JULY 2013 |
| 5 | A1237801 | CABINET, FRONT BOTTOM BRACE SLG40 BEFORE JULY 2013 |
| | A1861001 | CABINET, FRONT BOTTOM BRACE SLG40 POST JULY 2013 |
| 6 | A1640301 | CABINET BACK, BOTTOM BRACE SLG40 BEFORE JULY 2013 |
| | A1641401 | CABINET BACK, BOTTOM BRACE SLG40 POST JULY 2013 |
| 7 | A1856901 | CABINET, SPACER SLG40 BEFORE JULY 2013 |
| | A1861201 | CABINET, SPACER SLG40 POST JULY 2013 |
| 8 | A8048001 | PIPING, BRACKET MANIFOLD REAR |
| 9 | B13811-00 | FLUE, DEFLECTOR SLG40 |
| 10 | B2306101 | DOOR, ASSEMBLY SLG40 BEFORE JULY 2013 |
| | B2306301 | DOOR, ASSEMBLY SLG40 POST JULY 2013 |
| | A2336502 | DOOR, OUTER SLG40 BEFORE JULY 2013 |
| | A2337302 | DOOR, OUTER SLG40 POST JULY 2013 |
| | A2336601 | DOOR, INNER SLG40 BEFORE JULY 2013 |
| | A2337401 | DOOR, INNER SLG40 POST JULY 2013 |
| | PP10752 | SCREW, 10-31 X 1/2 PNH ZN |
| 11 | PP11006 | HANDLE, DOOR RECESSED PLASTIC |
| | D6176-00 | FRONT PANEL, SLG40 BEFORE JULY 2013 |
| | A3684902 | FRONT PANEL, SLG40 POST JULY 2013 |
| 12 | P0091500 | TINNERMAN C-12003-017 #6 |
| 13 | D6180-00 | SPLASH BACK, SLG40 |
| 14 | C11020-00 | FLUE, ASSEMBLY SLG40 |
| | B3506401 | FLUE, ASSEMBLY SLG50 |
| 15 | B13790-00 | BURNER HOLD DOWN SLG40 |
| | A8048802 | BURNER HOLD DOWN SLG50 |
| 16 | A1847002 | CLIP, BRACKET MAGNET CATCH |
| 18 | A1408002 | BULB COVER STEPPED SLG |
| 18 | A3800603 | DOOR HINGE PIN |
| 19 | E4556-04 | BURNER |
| 20 | P6071300 | DOOR MAGNET |
| 21 | P0020600 | SCREW, 1/4-20 X 5/8 HEX HEAD ZINC PLATED |
| 22 | B3900701 | LEG, SET 6" WITH HARDWARE (SET OF 4) |
| 23 | P0093300 | NUT, HEX (KEP) 1/4-20 ZINC PLATED |
| 24 | 60084501 | DRAIN VALVE, 1 1/4 NON-LOCKING |
| 25 | P9204-75 | ANETS NAME PLATE BLACK/YELLOW |
| 26 | PP10668 | NUT, 1/4-20 ACORN WITH CENTERLOCK STAINLESS |
| 27 | P0080650 | WASHER, FLAT 1/4 ZINC |
| 28 | A2510101 | TANK, NIPPLE DRAIN OUT 1 1/4 NPT |
| 29 | A4500601 | WIRING RACK, TUBE 13.50 X 13.50 |
| 30 | P9800-08 | BASKETS, DOUBLE 2 PER SLG40 |
| 31 | PP10023 | SCREW, 10-24 X 3/8 SELF TAPPER |
| 32 | C9054-01 | BASKET HANGER SLG40/50 |

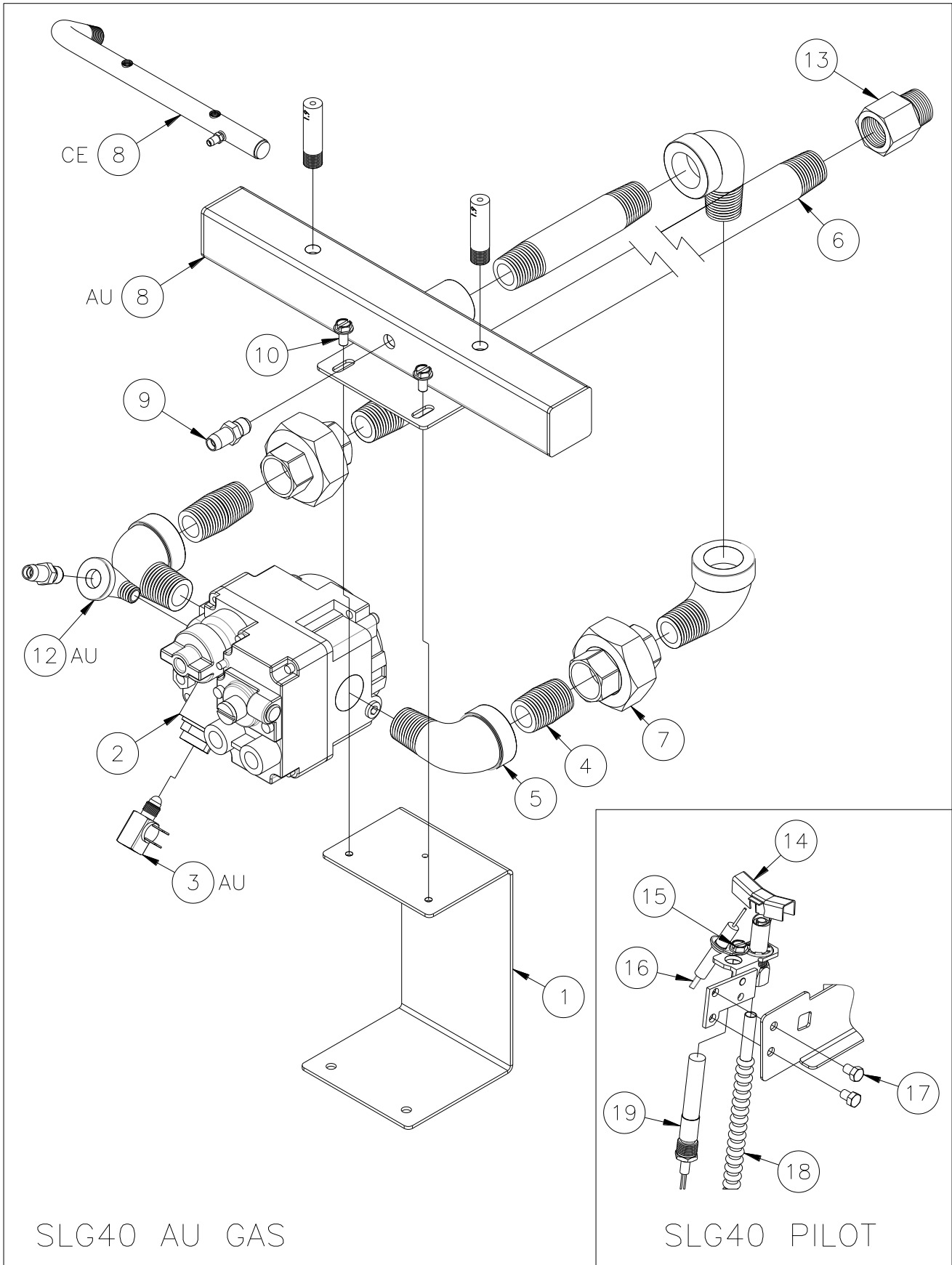
6 SLG100 Exploded Parts Diagram



6.1 SLG100 Exploded Parts List

| ITEM# | PART# | PART DESCRIPTION |
|-------|-----------|---|
| 1 | B3336301 | TANK,WELDMENT SLG100 (BAFFLES WELDED TO TANK) |
| 2 | B1004002 | BAFFLE, WELDMENT SLG100 (SERVICE) |
| 3 | A1540003 | CABINET SIDE, RIGHT SIDE SLG100 BEFORE JULY 2013 |
| | A1541105 | CABINET SIDE, RIGHT SIDE SLG100 POST JULY 2013 |
| 4 | A1540007 | CABINET SIDE, RIGHT SIDE SLG100 BEFORE JULY 2013 |
| | A1541107 | CABINET SIDE, RIGHT SIDE SLG100 POST JULY 2013 |
| 5 | A1237803 | CABINET, FRONT BOTTOM BRACE SLG100 BEFORE JULY 2013 |
| | A1861003 | CABINET, FRONT BOTTOM BRACE SLG100 POST JULY 2013 |
| 6 | A1640303 | CABINET BACK, BOTTOM BRACE SLG100 BEFORE JULY 2013 |
| | A1641403 | CABINET BACK, BOTTOM BRACE SLG100 POST JULY 2013 |
| | A1857001 | CABINET, SPACER SLG100 BEFORE JULY 2013 |
| | A1861203 | CABINET, SPACER SLG100 POST JULY 2013 |
| 8 | A8048001 | PIPING, BRACKET MANIFOLD REAR |
| 9 | B14090-00 | FLUE, DEFLECTOR SLG100 |
| 10 | B2306102 | DOOR, ASSEMBLY SLG100 BEFORE JULY 2013 |
| | B2306302 | DOOR, ASSEMBLY SLG100 POST JULY 2013 |
| | A3636504 | DOOR, OUTER SLG100 BEFORE JULY 2013 |
| | A2337304 | DOOR, OUTER SLG100 POST JULY 2013 |
| | A2336603 | DOOR, INNER SLG100 BEFORE JULY 2013 |
| | A2337403 | DOOR, INNER SLG100 POST JULY 2013 |
| | PP10752 | SCREW, 10-31 X 1/2 PNH ZN |
| 11 | PP11006 | HANDLE, DOOR RECESSED PLASTIC |
| | A3681802 | FRONT PANEL, SLG100 BEFORE JULY 2013 |
| | A3684904 | FRONT PANEL, SLG100 POST JULY 2013 |
| 12 | P0091500 | TINNERMAN C-12003-017 #6 |
| 13 | E5192-00 | SPLASH BACK, SLG100 |
| 14 | C10880-00 | FLUE, ASSEMBLY SLG100 |
| | E5190-00 | FLUE BACK |
| | D6265-00 | FLUE FRONT |
| | C10860-00 | FLUE SUPPORT |
| 15 | B14052-00 | BURNER HOLD DOWN SLG100 |
| 16 | A1847002 | CLIP, BRACKET MAGNET CATCH |
| 18 | A1408002 | BULB COVER STEPPED SLG |
| 18 | A3800603 | DOOR HINGE PIN |
| 19 | E4556-04 | BURNER |
| 20 | P6071300 | DOOR MAGNET |
| 21 | P0020600 | SCREW, 1/4-20 X 5/8 HEAX HEAD ZINC PLATED |
| 22 | B3900701 | LEG, SET 6" WITH HARDWARE (SET OF 4) |
| 23 | P0093300 | NUT, HEX (KEP) 1/4-20 ZINC PLATED |
| 24 | 60084501 | DRAIN VALVE, 1 1/4 NON-LOCKING |
| 25 | P9204-75 | ANETS NAME PLATE BLACK/YELLOW |
| 26 | PP10668 | NUT, 1/4-20 ACORN WITH CENTERLOCK STAINLESS |
| 27 | P0080650 | WASHER, FLAT 1/4 ZINC |
| 28 | A2510101 | TANK, NIPPLE DRAIN OUT 1 1/4 NPT |
| 29 | P6073186 | TUBE RACK |
| 30 | P9800-48 | BASKET |
| | P9800-56 | TRIPLE BASKET |
| 31 | PP10023 | SCREW, 10-24 X 3/8 SELF TAPPER |
| 32 | C9183-00 | BASKET HANGER SLG100 |

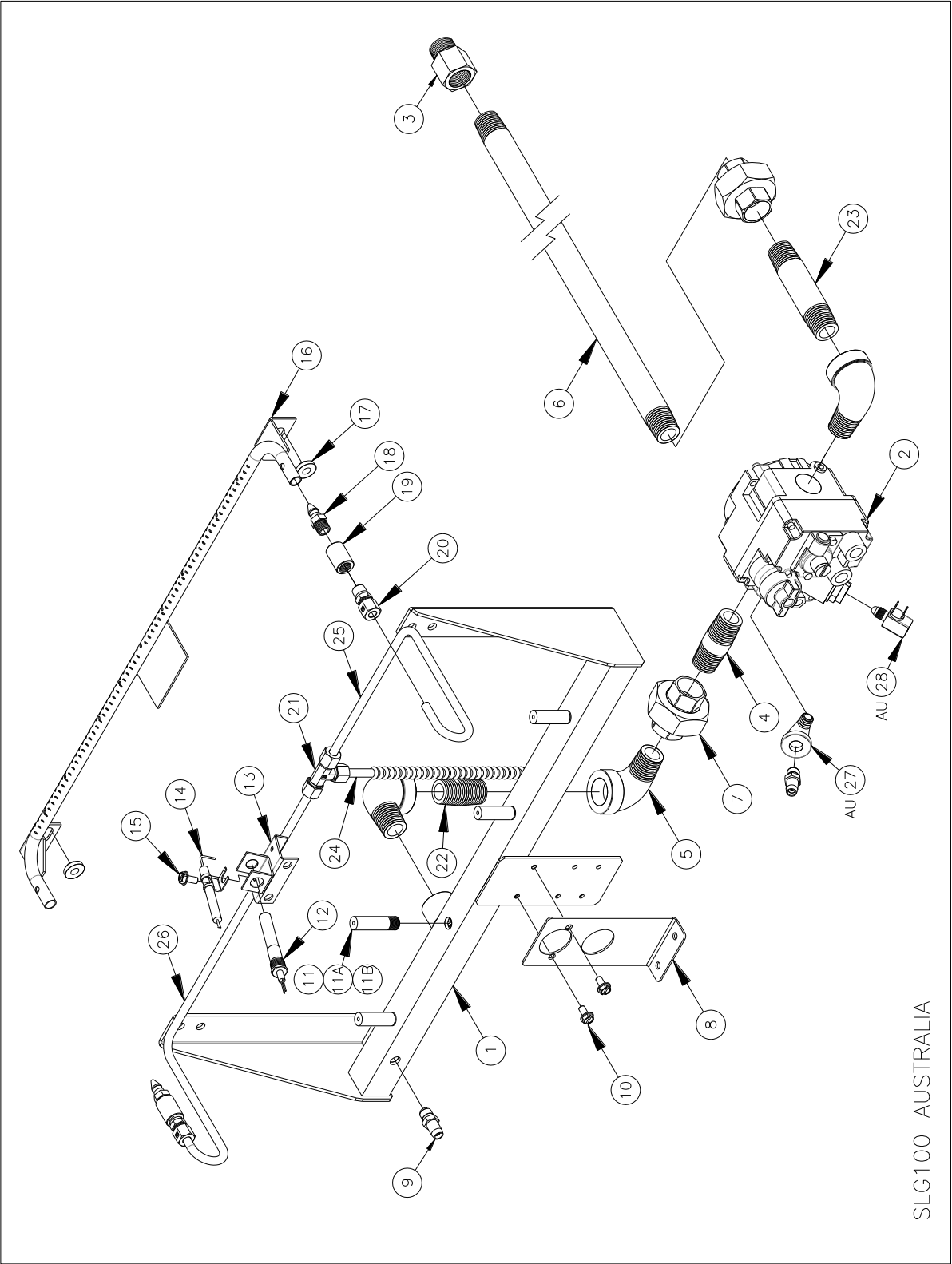
7 SLG40 Gas Assembly Exploded AU & CE Diagram



7.1 SLG40 Gas Assembly Exploded AU & CE Parts

| ITEM# | PART# | PART DESCRIPTION |
|----------|-----------------------------|--------------------------------------|
| 1 | A8049901 | PIPING, MANIFOLD BRACKET FRONT SLG40 |
| 2 | PP11001 | GAS VALVE G20 U7000 SLG40 |
| | PP11002 | GAS VALVE G31 U7000 SLG40 |
| | PP11110 | GAS VALVE G20 BGOL/S UNREGULATED |
| 3 | 60179801 | INTERRUPTOR,MV 11/32 THREAD |
| 4 | P7037090 | NIPPLE, BLACK 1/2 NPT X CLOSE |
| 5 | P7037750 | ELBOW, STREET 1/2 NPT 90 DEGREE |
| 6 | P8820-91 | NIPPLE, BLACK 1/2 NPT X 17" |
| 7 | P7036902 | UNION BLACK 1/2 NPT |
| 8 | B8058801 | PIPING, WELDMENT GAS MANIFOLD AU |
| | P8841-38 | PIPING, WELDMENT GAS MANIFOLD CE |
| 9 | 60132801 | PRESSURE TEST FITTING 1/8 NPT |
| 10 | PP10023 | SCREW, 10-24 X 3/8 SELF TAPPER |
| 11A | P8905-04 | ORIFICE, BURNER #31 NAT/G20 SLG40 |
| | A8047103 | ORIFICE, BURNER 1.9mm PROPANE SLG40 |
| | P8905-16 | ORIFICE, BLANK |
| | | ELEVATION CHANGE |
| 11B | P8905-83 | ORIFICE, BURNER #34 NATURAL |
| | A8047101 | ORIFICE, BURNER 3.4mm NATURAL G25 |
| | A8047104 | ORIFICE, BURNER #35 NATURAL |
| | A8047105 | ORIFICE, BURNER #36 NATURAL |
| | A8047106 | ORIFICE, BURNER #37 NATURAL |
| | A8047107 | ORIFICE, BURNER #38 NATURAL |
| | A8047108 | ORIFICE, BURNER #39 NATURAL |
| | A8047110 | ORIFICE, BURNER #33 NATURAL |
| | P8905-84 | ORIFICE, BURNER #50 PROPANE |
| | A8047102 | ORIFICE, BURNER #51 PROPANE |
| | A8047103 | ORIFICE, BURNER 1.9mm PROPANE G31 |
| A8047109 | ORIFICE, BURNER #52 PROPANE | |
| 12 | 60094101 | BRASS STREET ELBOW 1/8 NPT |
| 13 | PP10067 | METRIC GAS SUPPLY ADAPTER FITTING |
| 14 | 60128801 | PILOT REVERSE STANDING NAT |
| | 60128802 | PILOT REVERSE STANDING LP |
| 15 | P0075200 | SELF DRILLING SCREW 8-18 X 1/2 |
| 16 | P9131-55 | GAS VALVE VENT TUBE (DOMESTIC ONLY) |
| 17 | 60088014 | NIPPLE, BLACK 1/2 NPT X 2" |
| 18 | 60119001 | ELBOW, STREET 1/2 NPT 90 DEGREE |
| 19 | 60125501 | NIPPLE, BLACK 1/2 NPT X 17" |

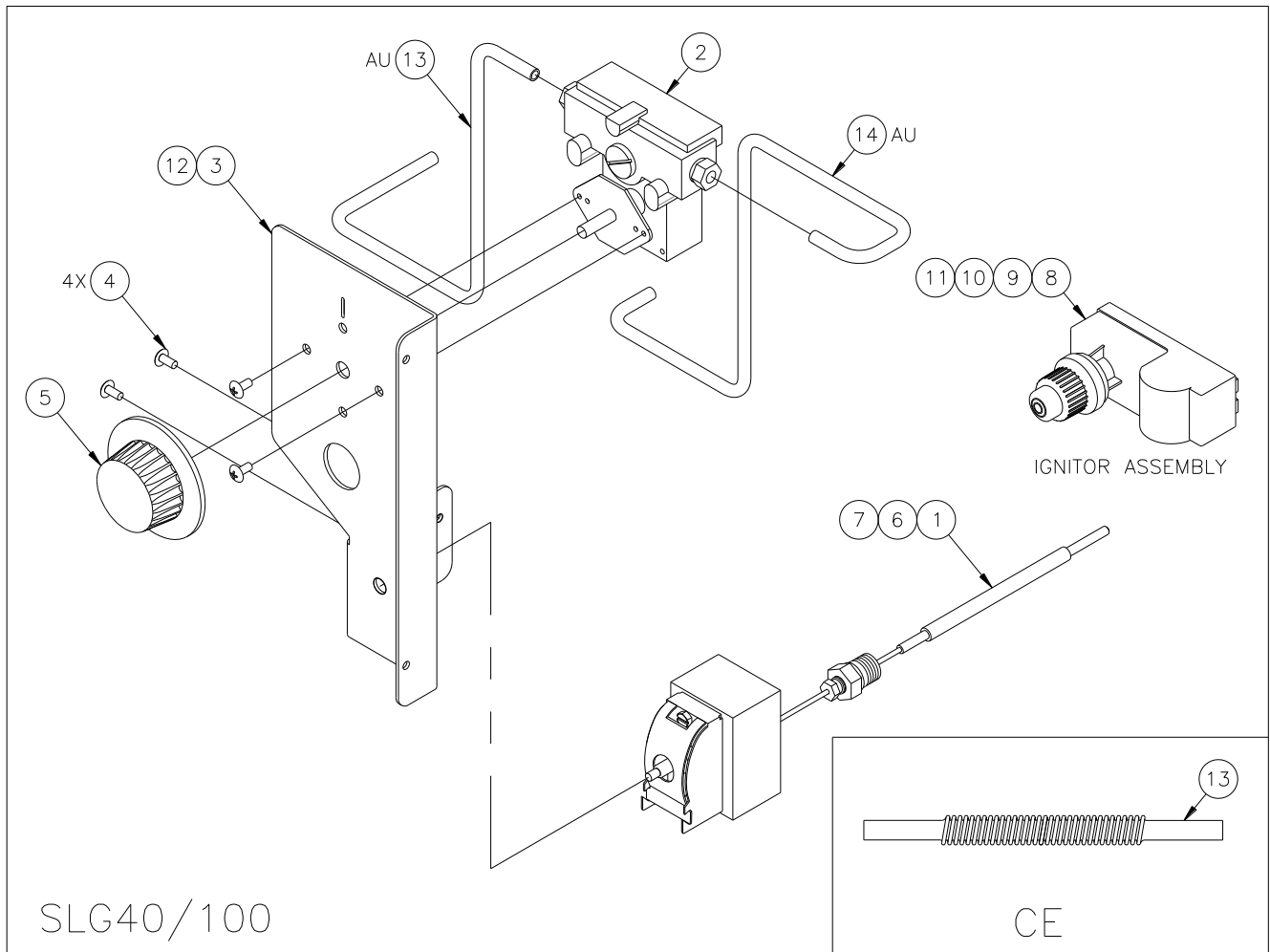
8 SLG100 Gas Supply Exploded AU & CE Diagram



8.1 SLG100 Gas Supply Exploded AU & CE Parts

| PLOT | PART# | PART DESCRIPTION |
|------|-----------|--|
| 1 | P9315-61 | PIPING, WELDMENT GAS MANIFOLD SLG100 |
| 2 | PP10955 | GAS VALVE G20/G25 U7000 |
| | PP10956 | GAS VALVE G31 U7000 |
| | PP11110 | GAS VALVE G20 BGOL/S UNREGULATED |
| 3 | PP10067 | GAS SUPPLY METRIC ADAPTER |
| 4 | P7037093 | NIPPLE, BLACK 1/2 NPT X 2" |
| 5 | P7037750 | ELBOW, STREET 1/2 NPT 90 DEGREE |
| 6 | P8820-91 | NIPPLE, BLACK 1/2 NPT X 17" |
| 7 | P7036902 | UNION BLACK 1/2 NPT |
| 8 | A8048001 | GAS SUPPLY WELDMENT SUPPORT BRACKET SLG100 |
| 9 | 60132801 | GAS MANIFOLD TEST FITTING 1/8 NPT |
| 10 | PP10023 | SCREW, 10-24 X 3/8 SELF TAPPER |
| 11 | P8905-04 | ORIFICE, BURNER #31 NATURAL SLG100 |
| | P8905-05 | ORIFICE, BURNER #49 PROPANE SLG100 |
| 11A | P8905-16 | ORIFICE, BLANK |
| | | ELEVATION CHANGE OR CE ORIFICE TIPS |
| 11B | P8905-83 | ORIFICE, BURNER #34 NATURAL |
| | A8047101 | ORIFICE, BURNER 3.4mm NATURAL |
| | A8047104 | ORIFICE, BURNER #35 NATURAL |
| | A8047105 | ORIFICE, BURNER #36 NATURAL |
| | A8047106 | ORIFICE, BURNER #37 NATURAL |
| | A8047107 | ORIFICE, BURNER #38 NATURAL |
| | A8047108 | ORIFICE, BURNER #39 NATURAL |
| | A8047110 | ORIFICE, BURNER #33 NATURAL |
| | P8905-84 | ORIFICE, BURNER #50 PROPANE |
| | A8047102 | ORIFICE, BURNER #51 PROPANE |
| | A8047103 | ORIFICE, BURNER 1.9mm PROPANE |
| | A8047109 | ORIFICE, BURNER #52 PROPANE |
| 12 | 60125501 | THERMOPILE MILLIVOLT |
| 13 | B12326-00 | THERMOPILE SUPPORT WELDMENT |
| 14 | P9131-62 | SPARK IGNITOR |
| 15 | P0075300 | SELF DRILLER 10/16 X 5/8 |
| 16 | C9163-00 | PILOT RUNNER TUBE WELDMENT NAT SLG100 |
| | C9163-01 | PILOT RUNNER TUBE WELDMENT LP SLG100 |
| 17 | B12821-00 | PILOT STANDOFF SPACER |
| 18 | P8904-98 | RUNNER TUBE ORIFICE NAT #55 SLGOO |
| | P9804-99 | RUNNER TUBE ORIFICE LP #72 SLGOO |
| 19 | P8805-11 | COUPLING 1/8 NPT |
| 20 | P7037797 | ELBOW 1/4 COMPRESSION X 1/8 NPT |
| 21 | P8840-92 | COMPRESSION TEE 1/4 TUBE |
| 22 | P7037092 | NIPPLE, BLACK 1/2 NPT X 1 1/2 |
| 23 | P7037096 | NIPPLE, BLACK 1/2 NPT X 3 1/2 |
| 24 | PP11260 | FLEXIBLE TUBE 1/4 X 10 |
| 25 | P9315-61 | FLEXIBLE TUBE 1/4 X 12 |
| 26 | 60119001 | FLEXIBLE TUBE 1/4 X 18 |
| 27 | 60094101 | BRASS STREET ELBOW 1/8 NPT |
| 28 | PP10067 | METRIC GAS SUPPLY ADAPTER FITTING |

9 TSTAT Assembly Exploded AU Diagram



9.1 TSTAT Assembly Exploded AU Parts

| ITEM# | PART# | PART DESCRIPTION |
|-------|-----------|---|
| 1 | PP10084 | SWITCH, HI-LIMIT |
| 2 | P5047590 | THERMOSTAT, GS 190C |
| 3 | B14503-00 | PIPING, BRACKET THERMOSTAT WITH IGNITOR |
| 4 | PP10687 | SCREW, 6-32 X 5/16 TH PHILLIPS |
| 5 | PP10539 | KNOB, THERMOSTAT |
| 6 | P0007300 | SCREW, 8-32 X 1/4 HEX HEAD ZINC |
| 7 | B6744402 | WIRING, MILLIVOLT HI-LIMIT/THERMOSTAT |
| 8 | P9132-34 | CONTROL, SPARK IGNITOR |
| 9 | 60172101 | BATTERY, TRIPLE A 1.5V |
| 10 | 60167801 | CONTROL, WIRE SPARK IGNITOR 24" |
| 11 | P9132-37 | CONTROL, SPARK IGNITOR GROUND WIRE |
| 12 | P9204-18 | LABEL, IGNITOR |
| 13 | 60119001 | FLEX TUBING 18" CE |
| | A8049701 | PIPING, THERMOSTAT IN-GAS VALVE-OUT SLG40 AU |
| | A8049703 | PIPING, THERMOSTAT IN-GAS VALVE-OUT SLG100 AU |
| 14 | A8049702 | PIPING, THERMOSTAT OUT-GAS VALVE-IN SLG40 AU |
| | A8049704 | PIPING, THERMOSTAT OUT-GAS VALVE-IN SLG100 AU |