



IMPORTANT FOR FUTURE REFERENCE

Please complete this information and retain this manual for the life of the equipment:

Model #: _____

Serial #: _____

Date Purchased: _____

ENGLISH

Parts Manual

SSHLV14, SSHLV14T



TO THE PURCHASER

Post in a prominent location the instructions to be followed in the event that an operator smells gas. Obtain this information from your local gas supplier.

FOR YOUR PROTECTION

DO NOT store or use gasoline or other flammable vapors and liquids in the vicinity of this or any other appliance. Do not spray aerosols in the vicinity of this appliance when it is in operation.

WARNING

Improper installation, operation, alteration, adjustments, service or maintenance can cause property damage, injury or death. Read the installation, operating and maintenance instructions thoroughly before installing, operation, servicing this appliance.

WARNING

Installation, maintenance and repairs should be performed by a Pitco Authorized Service and Parts (ASAP) company technician or other qualified personnel. Installation, maintenance or repairs by an unauthorized and unqualified personnel will void the warranty.

WARNING

Installation and all connections must be made according to local codes in force. In the absence of local codes in North America, the installation must conform with the National Fuel Gas Code, ANSI Z223.1/NFPA 54 or the Natural Gas and Propane Installation Code CSA B149.1 as applicable. In Australia, the appliance must be installed in compliance with AS/NZS 5601.

WARNING

During the warranty period if a customer elects to use a non-original part or modifies an original part purchased from Pitco and/or its Authorized Service and Parts (ASAP) companies, this warranty will be void. In addition, Pitco and its affiliates will not be liable for any claims, damages or expenses incurred by the customer which arises directly or indirectly, in whole or in part, due to the installation of any modified part and/or received from an unauthorized service center.

WARNING

This appliance, when installed, must be electrically grounded in accordance with local codes, or in the absence of local codes, with the National Electrical Code, ANSI/NFPA 70, or the Canadian Electrical Code, CSA C22.2, as applicable

WARNING

Adequate means must be provided to LIMIT the movement of this appliance without depending on the gas or electrical cord connection. Single appliances equipped with legs must be stabilized by installing anchor straps. All appliances equipped with casters must be stabilized by installing restraining chains.

WARNING

DO NOT alter or remove structural material on the appliance to accommodate placement under a ventilation hood.

WARNING

If the appliance is equipped with a power cord and it is damaged, it must be replaced by a Pitco Authorized Service and Parts (ASAP) company technician, or a similarly qualified person in order to avoid a hazard.

WARNING

The power supply must be disconnected before servicing, maintaining or cleaning this appliance.

WARNING

The appliance is NOT jet stream approved. DO NOT clean the appliance with a water jet.

WARNING

DO NOT attempt to move this appliance or transfer hot liquids from one container to another when the unit is at operating temperature or filled with hot liquids. Serious personal injury could result if skin comes in contact with the hot surfaces or liquids.

WARNING

DO NOT use an open flame to check for gas leaks!

WARNING

DO NOT sit or stand on this appliance. The appliance's front panel, tank, splash back, tank cover, work shelf, drain board is not a step. Serious injury could result from slipping, falling or contact with hot liquids.

WARNING

NEVER use the appliance as a step for cleaning or accessing the ventilation hood. Serious injury could result from slips, trips or from contacting hot liquids.

WARNING

The oil/shortening level should NOT fall below the minimum indicated level line at any time. The use of old shortening can be dangerous as it will have a reduced flash point and be more prone to surge boiling.

WARNING

The contents of the crumb catch and/or filter pan of any filter system must be emptied into a fireproof container at the end of the frying operation each day. Some food particles can spontaneously combust into flames if left soaking in certain oil/shortening materials.

WARNING

Completely shut the appliance down when shortening/oil is being drained from the appliance. This will prevent the appliance from heating up during the draining and filling process. Serious injury can occur.

WARNING

This appliance is intended for indoor use only.

WARNING

DO NOT operate appliance unless all panels and access covers are attached correctly.

WARNING

It is recommended that this appliance be inspected by a qualified service technician for proper performance and operation on a yearly basis.

WARNING

There is an open flame inside this appliance. The unit may get hot enough to set nearby materials on fire. Keep the area around the appliance free from combustibles.

WARNING

DO NOT supply the appliance with a gas that is not indicated on the data plate. If you need to convert the appliance to another type of fuel, contact your dealer.

WARNING

If gas flow to appliance is interrupted, or pilots extinguish, wait 5 minutes before attempting to relight the pilot to allow any residual gas in appliance to dissipate.

WARNING

Ensure that the appliance can get enough air to keep the flame burning correctly. If the flame is starved for air, it can give off a dangerous carbon monoxide gas. Carbon monoxide is a clear odorless gas that can cause suffocation.

WARNING

Never add oil to the appliance when it is at operating temperature. Splashing hot oil can cause severe injuries.

WARNING

Never add water to hot oil. Violent boiling can occur causing severe injury.

WARNING

This appliance is intended for professional use only and should be operated by fully trained and qualified personnel.

WARNING

To avoid splashing of hot liquid when installed, this fryer must be restrained either by the manner of installation, or with adequate ties to prevent tipping.

WARNING

An appliance equipped with casters and a flexible gas line must be connected to the gas supply with a quick disconnect device. In North America, gas appliances equipped with casters must be installed with connectors that comply with the Standard for Connectors for Movable Gas Appliances, ANSI Z21.69.CSA 6.16 Latest Edition. This connection should include a quick disconnect device that complies with the Standard for Quick Disconnect Devices for Use With Gas Fuel ANSI Z221.41.CSA 6.9 Latest Edition. In Australia, an appliance equipped with casters and a flexible gas line must be connected to the gas supply with a quick disconnect device that complies with AS 4627. The hose must comply with AS/NZS 1869 and be class B or D and have a restraining cable. The restraining cable must not exceed 80% of the length of the flexible gas line.



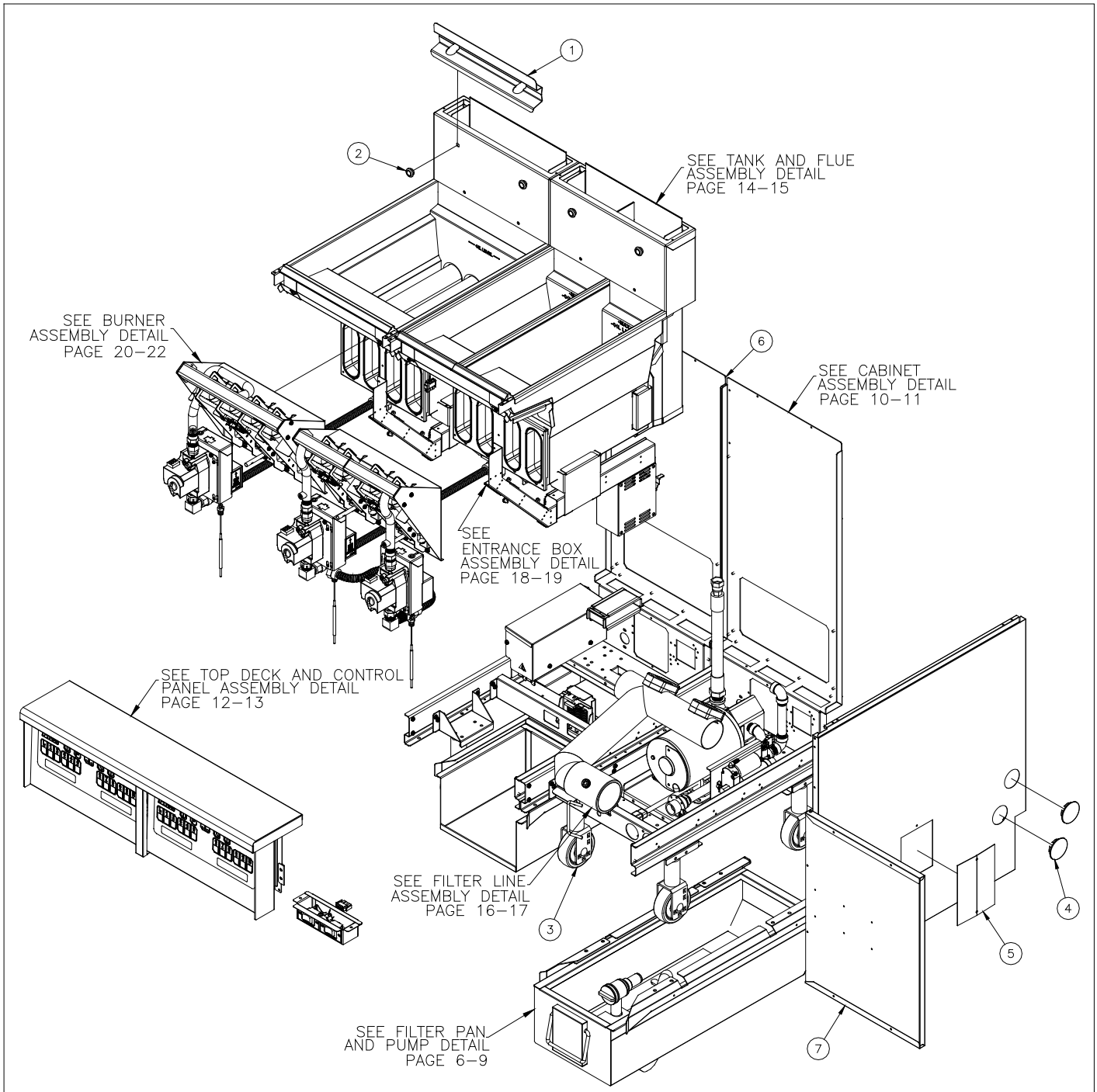
Table of Contents

A.) FRYER PARTS LIST	4
FRYER DETAIL.....	5
B.) FILTER PAN & PUMP PARTS LIST	6
FILTER PAN AND PUMP DETAIL.....	7
C.) SOLO FILTER PAN PARTS LIST	8
SOLO FILTER PAN DETAIL	9
D.) CABINET PARTS LIST	10
CABINET DETAIL.....	11
E.) TOP DECK & CONTROL PANEL PARTS LIST.....	12
TOP DECK & CONTROL PANEL DETAIL.....	13
F.) TANK & FLUE PARTS LIST	14
TANK & FLUE DETAIL.....	15
G.) DRAIN LINE PARTS LIST.....	16
DRAIN LINE DETAIL.....	17
H.) ENTRANCE BOX PARTS LIST	18
ENTRANCE BOX VIEW	19
J.) BURNER & GAS SUPPLY PARTS LIST	20
BURNER & GAS SUPPLY DETAIL.....	21
BURNER & GAS SUPPLY PARTS LIST B.....	22
K.) BASKET LIFT ASSEMBLY PARTS LIST.....	24
BASKET LIFT ASSEMBLY DETAIL.....	25
L.) BASKET LIFT COMPONENTS PARTS LIST.....	26
BASKET LIFT COMPONENTS DETAIL.....	27

**A.) Fryer Parts List**

ITEM #	PART#	PART DESCRIPTION
1	A1103204	BASKET HANGER, W/O CAP DG, MDG
2	60138101	TANK, STUD SPLASH BACK SCREW ON
3	60132401	9" LEG
	B3900704	9" LEG SET OF 4 WITH HARDWARE
	60115301	9" LEG WITH BOTTOM BOLT FLANGE ADJUSTABLE
	PP10814	9" CASTER NON-LOCKING
	B3901504	9" CASTER SET OF 4 (2 LOCKING, 2 NON-LOCKING)
	B3902302	9" RIGID CASTER NON-LOCKING
	PP10815	9" CASTER LOCKING
	B3902304	9" RIGID CASTER LOCKING
4	P6071498	HOLE PLUG 1-1/2" CHROME PLATED
5	A6613102-C	FILTER DRAIN LINE CABINET COVER SST
6	A1859206	CABINET, REAR JOINING STRIP TOP
	A1859208	CABINET, REAR JOINING STRIP BOTTOM
	A1865901	CABINET, FRONT JOINING STRIP
	A1908202	CHANNEL STRIP, CABINET JOINING
7	B2304619	DOOR ASSEMBLY, SSSLV14, SSSLV14T
8	B3801801	HINGE WELDMENT LOWER RIGHT HAND SG*
	B3801802	HINGE WELDMENT LOWER LEFT HAND SG*
9	B3802401	HINGE WELDMENT UPPER RIGHT HAND SG*
	B2802402	HINGE WELDMENT UPPER LEFT HAND SG*

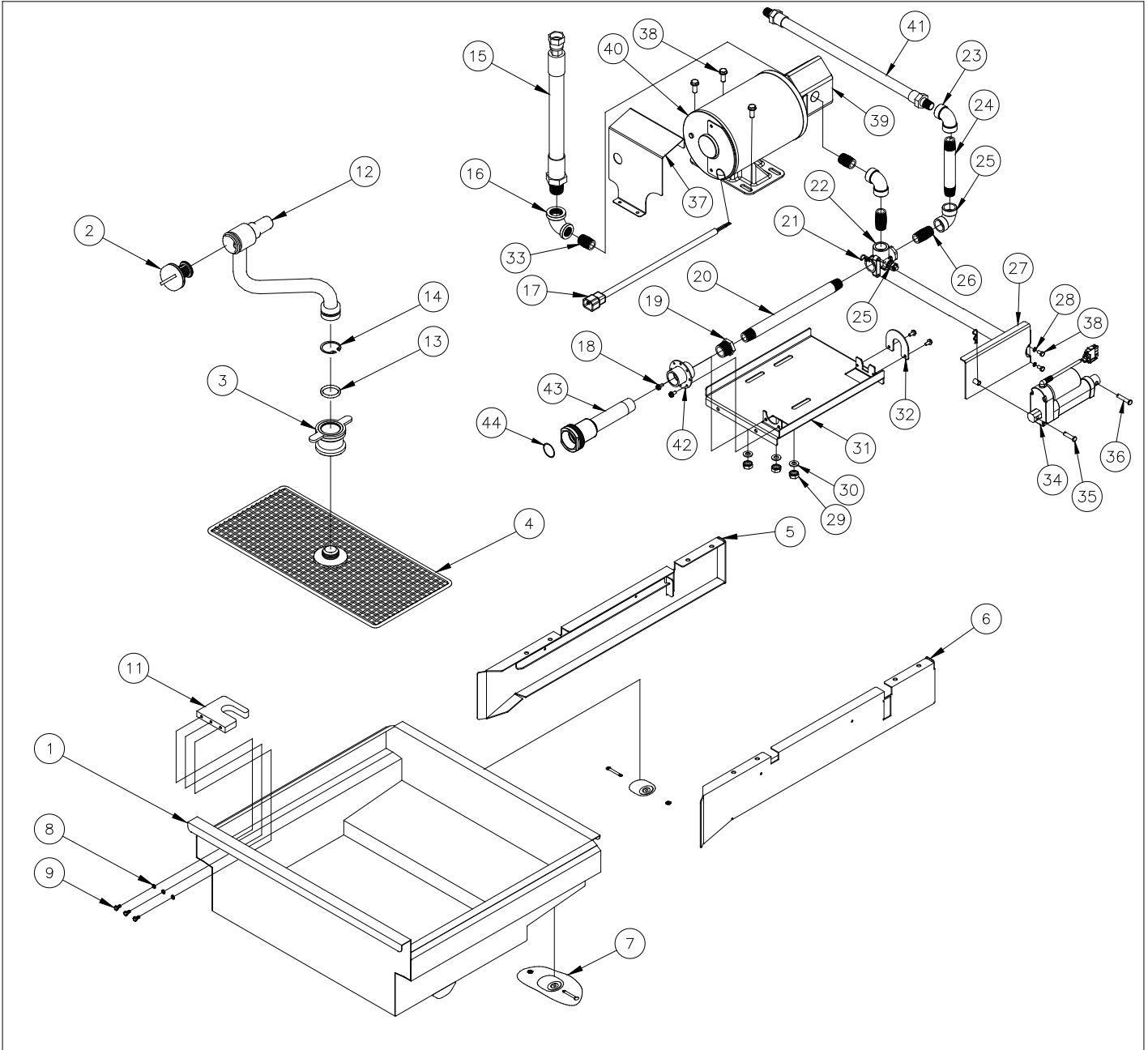
Fryer Detail



B.) Filter Pan & Pump Parts List

ITEM #	PART#	PART DESCRIPTION
1	B6673401	FILTER, WELDMENT PAN
2	B6671202	FILTER, STRAINER CAP ASSEMBLY
3	B6677401	FILTER, CLIP PAPER WELDMENT
4	B6664304	FILTER, SUPPORT WELDMENT
5	B6672501	FILTER, WELDMENT RAIL MOUNT LH
6	B6672502	FILTER, WELDMENT RAIL MOUNT RH'
7	60168302-C	WHEEL, 2" WITH AXLE AND NUT BULK PACK
8	PP11208	WASHER, LOCK #10 SST (SPLIT)
9	P0112000	BOLT, 10-24 X 1/2 HHC SST
11	A7030102	FILTER, GUIDE PICK-UP TUBE
12	B6677601	FILTER, TUBE PICKUP WELDMENT
13	PP10879	O-RING MFR. NO 217-3107
14	60136301	RING, EXTERNAL RETAINING 1-7/16"
15	60132201	HOSE, PTFE F SWIVEL X MPT
16	PP10485	ELBOW, BLACK REDUCER 90 3/4 X 1/2 NPT
17	PP11338	CORD, PLUG IEC-320 16-3 AWG 17.5
18	PP10023	SCREW, 10-24 X 3/8 SELF TAP
19	P7036013	BUSHING, REDUCER HEX 3/4 X 1/2 NPT BLACK
20	P7037109	NIPPLE, BLACK 1/2 X 10
21	P0154100	CLIP, HITCH PIN
22	P6071757	VALVE, BALL 1/2NPT 3-WAY
23	P7037678	ELBOW, BLACK 90 1/2
24	P7037099	NIPPLE, BLACK 1/2" X 5"
25	B6692801	FILTER, DIVERTER VALVE HANDLE WELDMENT
26	P7037092	NIPPLE, BLACK 1/2" X 1-1/2"
27	B6693101	FILTER, ACTUATOR BRACKET WELDMENT
28	P0082400	WASHER, LOCK #10 ZINC (SPLIT)
29	PP10828	NUT, HEX (KEP) 5/16-18 ZINC
30	P0080750	WASHER, FLAT 5/16 ZINC SAE
31	A7049301	FILTER, PUMP PLATE
32	A7049601	FILTER, PIPING CLAMP
33	P7037090	NIPPLE, BLACK 1/2" CLOSE
34	60155704	ACTUATOR, LINEAR 2" 24VDC
35	60047806	PIN, CLEVIS 1/4 OD X 1"
36	60047803	PIN, CLEVIS 1/4 OD X 1-1/4"
37	A7097301	FILTER, COVER PUMP
38	PP11261	BOLT, 5/16 X 3/4
39	60143505	MOTOR 115/230V 50/60HZ
	60143506	MOTOR 240V 50/60HZ
	60143518	MOTOR 208V 50/60HZ
40	60143508	PUMP, 4 GPM
41	A6653512	FILTER HOSE 47.75 CPF65 OUT
42	B6677001	FILTER SUPPORT INLET PG SG/SE FD/SF*
43	B6676001	FILTER, PICKUP BLOCK SGF*, SG6H
44	60068301	O-RING, VITON 1" ID X 1.375 OD

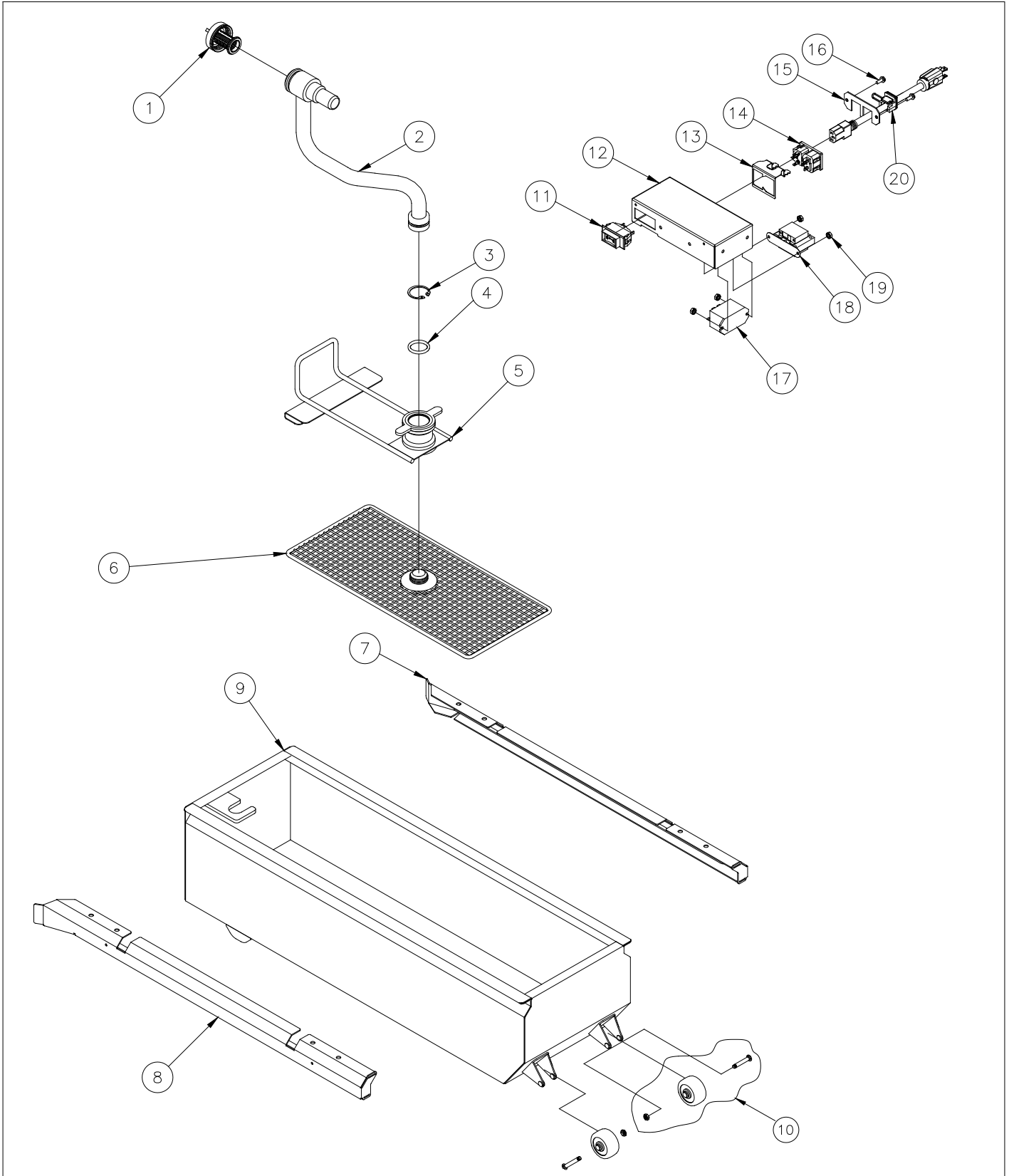
Filter Pan and Pump Detail



**C.) Solo Filter Pan Parts List**

ITEM #	PART#	PART DESCRIPTION
1	B6671202	FILTER, STRAINER CAP ASSEMBLY
2	B6673902	FILTER, TUBE PICKUP WELDMENT SFSG14
3	60136301	RING, EXTERNAL RETAINING 1-7/16"
4	PP10879	O-RING MFR. NO 217-3107
5	B6671102	FILTER, CLIP PAPER WELDMENT
6	B6664303	FILTER, SUPPORT WELDMENT
7	B6693702	FILTER, MOUNT WELDMENT LEFT SIDE
8	B6693701	FILTER, MOUNT WELDMENT RIGHT SIDE
9	B6670805	FILTER, PAN WELDMENT SFSG14
10	60168302-C	WHEEL, 2" WITH AXLE AND NUT BULK PACK
11	60077901	CIRCUIT ROCKER SPST 250V 10A
12	A7028701-C	FILTER PUMP BOX SGF*
13	A7044001	FLTR,STRN RLF PMP BOX DUAL
14	60148401	CONNECTOR POWER INLET & OUT IEC320
15	A1844001-C	CABLE RETAINER SG
16	P0075400	SCREW, 10-24 X 1/2 SELF TAP
17	P5045508	SCR,10-24 X 3/8 TH PHILLIPS
18	60130301	TRANSFORMER,5VA 120V
	60130302	TRANSFORMER,5VA 240V
	60130303	TRANSFORMER,5VA 230V
19	P0092300	NUT,HEX (KEP) 10-24 ZN
20	60128501	CORD,NEMA5-15P/IEC320 16-3

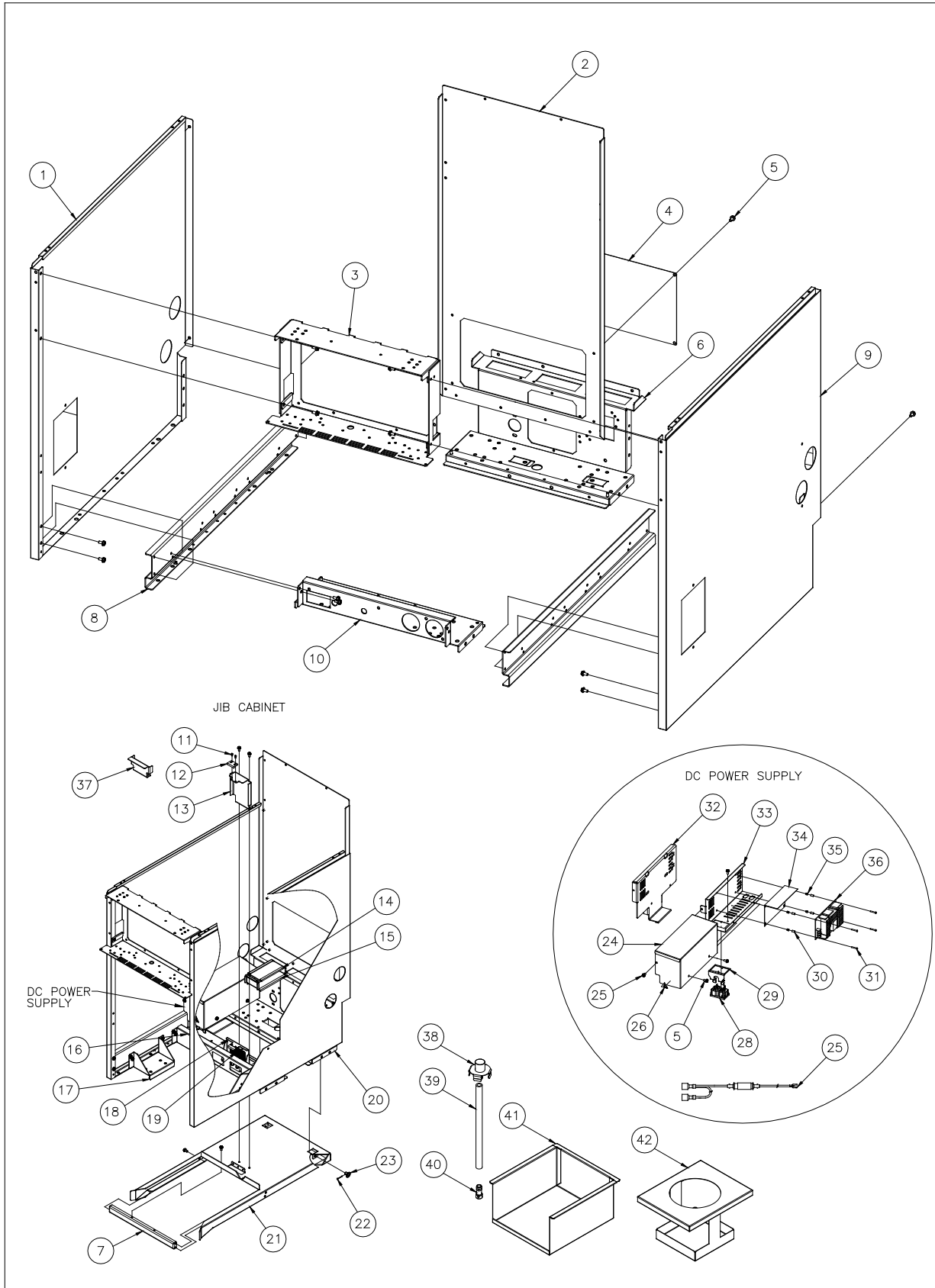
Solo Filter Pan Detail



D.) Cabinet Parts List

ITEM #	PART#	PART DESCRIPTION
1	A1541202	CABINET SIDE, LEFT HAND
2	A1640801	CABINET BACK, TOP
3	A1861501	CABINET, SPACER
4	A1631401	CABINET BACK, COVER SGH50, SGH50T
5	PP10023	SCREW, 10-24 X .375" SELF TAPPING
6	A1640701	CABINET BACK, BOTTOM S*LV WITHOUT JIB
7	A5073901	ACCESSORIES, JIB PAN RAIL SUPPORT
8	A1540501	CABINET SIDE, SUPPORT
9	A1541204	CABINET SIDE, RIGHT HAND
10	A1238501	CABINET, BOTTOM BRACE FRONT S*LV
11	60066801	SCREW, 4-40 X .250" RDH ZINC
12	B53050001	ELECTRICAL ASSEMBLY, DVI
13	A5074201	ACCESSORIES, JIB PROXIMITY SENSOR MOUNTING BRACKET S*LV
14	A5074301	ACCESSORIES, JIB HOSE HOLDER UPPER
15	A5074401	ACCESSORIES, JIB HOSE HOLDER LOWER
16	A1238201	CABINET, BOTTOM BRACE JIB WEIGHING
17	A1238301	CABINET, BOTTOM BRACE JIB SUPPORT
18	A5074201	ACCESSORIES, JIB SPRING MOUNTING BRACKET
19	60135202	SPRING, EXTENSION .750" OD, .080 WIRE X 2.75" (DISCONTINUED AFTER 12/13)
20	A1640703	CABINET BACK, BOTTOM S*LV WITH JIB
21	A5073801	ACCESSORIES, JIB RAIL S*LV
22	P0190200	PIN, COTTER EXT PRONG. .062 X .750 ZINC
23	B5052701	ACCESSORIES, JIB RAIL MOUNTING PIN WELDMENT S*LV
24	A2043701	CONTROL BOX, DC POWER HOUSING COVER
25	B6795701	WIRING, DC POWER BOX S*LV
26	A6051201	LABEL, HIGH VOLTAGE
28	60148401	CONNECTOR, POWER INLET & OUTLET IEC320
29	A7044001	FILTER, STRAIN RELIEF PUMP BOX DUAL IEC
30	60117203	SPACER, .126ID X .195 ODX .355L NYLON
31	PP11351	SCREW, 4-40 X .750 ROUND HEAD SLOTTED ZINC
32	A2043901	CONTROL BOX, DC POWER HOUSING BRACKET
33	A2043801	CONTROL BOX, DC POWER HOUSING
34	60175501	INSULATION, DC POWER SUPPLY S*LV
35	60092101	NUTSERT, 4-40 UNC
36	60155401	POWER SUPPLY, 24VDC 150W
37	A5074201 REV D	(USED AFTER 2/17/14) ACCESSORIES, JIB PROXIMITY MOUNTING BRACKET
38	A5074701	ACCESSORIES, JIB CAP STANDARD #35 JIB S*LV
39	A5075201	ACCESSORIES, HOSE 1/2ID X 12.75L BRAIDED SILICON
40	A5074801	ACCESSORIES, JIB HOSE WEIGHT S*LV
41	B5052401	ACCESSORIES, JIB PAN WELDMENT S*LV
42	B5052601	ACCESSORIES, SMALL JUG SUPPORT WELDMENT S*LV

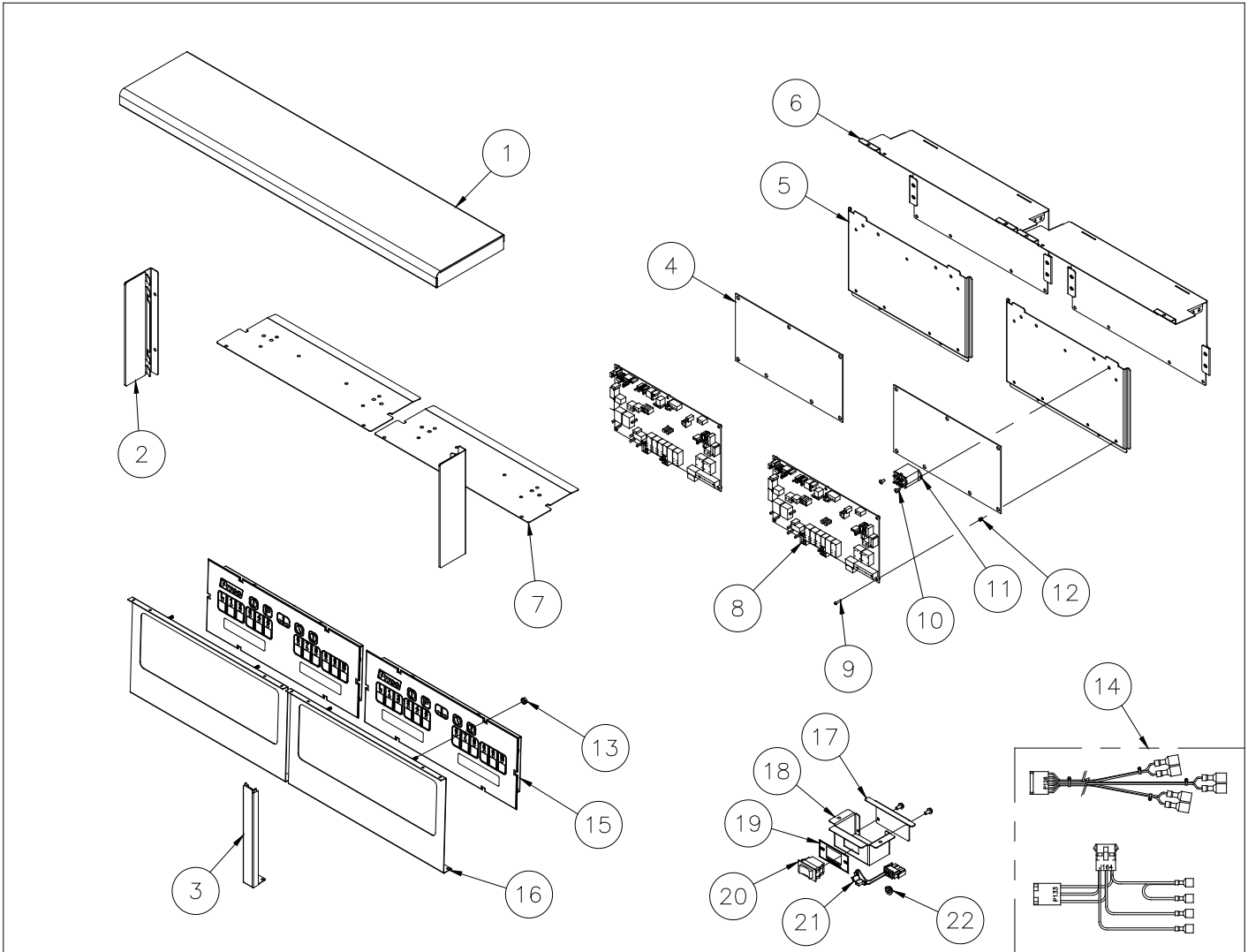
Cabinet Detail



E.) Top Deck & Control Panel Parts List

ITEM #	PART#	PART DESCRIPTION
1	B3638601	FRONT PANEL, HEMMED TOP DECK ASSEMBLY S*LV-1
	B3638602	FRONT PANEL, HEMMED TOP DECK ASSEMBLY S*LV-2
	B3638603	FRONT PANEL, HEMMED TOP DECK ASSEMBLY S*LV-3
	B3638604	FRONT PANEL, HEMMED TOP DECK ASSEMBLY S*LV-4
	B3638605	FRONT PANEL, HEMMED TOP DECK ASSEMBLY S*LV-5
2	A3685002	FRONT PANEL,END CAP LH-RH S*LV
3	A3685702	FRONT PANEL, MIDDLE CAP S*LV
4	60186501	INSULATION, AUTO FILTER BOARD #2
5	A2042301	CONTROL BOX, HEAT SHIELD WRB SGLV
6	A2042201	CONTROL BOX, SSSLV14
7	A3685301	FRONT PANEL, HEAT SHIELD S*LV
8	60183201	PCB, AUTO FILTER BOARD #2
	60183201	PCB, AUTO FILTER BOARD #2 DUAL
9	PP11312	SCREW, 4-40 X .500 RDH ZN
10	PP10687	SCREW, 6-32 X 313 THRUSS HEAD PHILLIPS ZN
11	PP11068	RELAY, 24VDC DPDT WITH MOUNTING TABS
12	P0091400	NUTSERT, 6-32 UNC
13	P0092300	NUT, HEX KEP 10-24 ZN
14	B6801201	WIRING,I12 TO AUTO FILTER BOARD #2 FBW RS485CO
	B6800901	WIRING, GAS VALVE CONNECTOR HARNESS
	B6760501	WIRING, HARNESS CLEAN SWEEP
	B6747001	WIRING, RELAY BOARD NO BACKUP
15	60149517-CL	COMPUTER,12+ FULL ROV UNCONFIGURED SERVICE
	60149518-CL	COMPUTER,I12+ SPLIT ROV UNCONFIGURED SERVICE
16	B3638710	FRONT PANEL, BEZEL WELDMENT ATO AUTOFILTER I12
17	A2043601	CONTROL BOX,COVER SWITCH TANK REFILL FULL
	A2043603	CONTROL BOX,COVER SWITCH TANK REFILL SPLIT
18	A2043501	CONTROL BOX,HOUSING SWITCH TANKK REFILL FULL
	A2043503	CONTROL BOX,HOUSING SWITCH TANKK REFILL SPLIT
19	A6105601	LABEL,TANK REFILL
20	B2007602	CONTROL BOX, ASSEMBLY TANK REFILL SWITCH SPLIT
21	PP10654	SWITCH, ROCKER SPST W/BK (1-0)
22	60130401	BUSHING, .512 HOLE DIAMETER

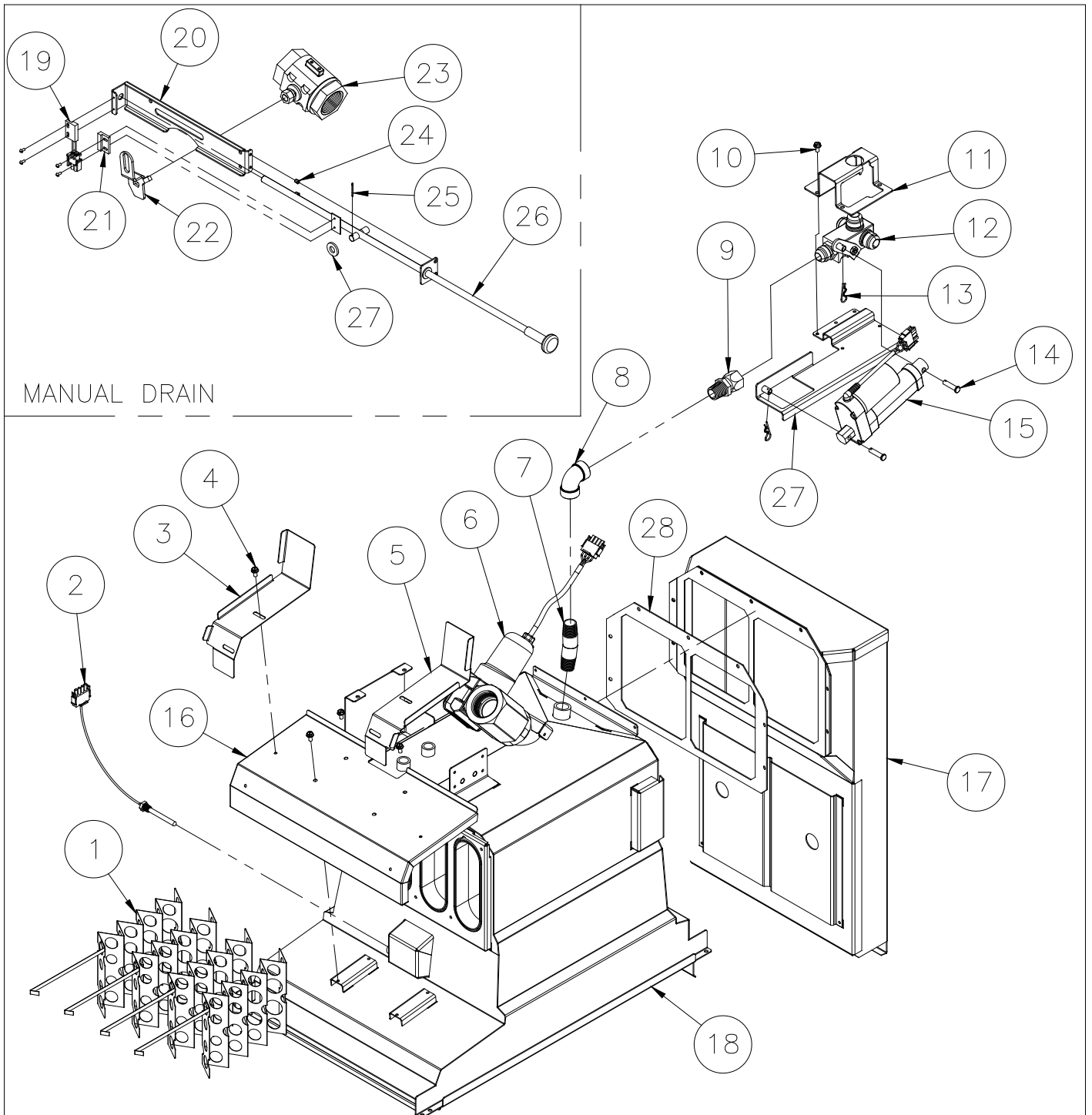
Top Deck & Control Panel Detail



F.) Tank & Flue Parts List

ITEM #	PART#	PART DESCRIPTION
1	B1003601	BAFFLE, WELDMENT DG
2	60182701	PROBE, OIL LEVEL SSHLV
3	A3372803	TANK, HEAT SHIELD SIDE RH
4	PP10023	SCREW, 10-24 X 3/8 SELF TAP
5	A3372801	TANK, HEAT SHIELD SIDE LH
6	60186601	VALVE, BALL 1-1/4 FP POWERED
7	B6692101	FILTER, RETURN ANGLE COUPLING
8	P7037678	ELBOW, BLACK 90 .500 NPT
9	60130101	FITTING, ADAPTOR 37.5 FLARE X .5 MPT
10	B6693201	FILTER, WELDMENT RETURN ACTUATOR MOUNT S*LV
11	A7049801	FILTER, BRACKET ACTUATOR RETURN VALVE BOTTOM S*LV
12	B6693301	FILTER, WELDMENT RETURN VALVE HANDLE
13	P0154100	CLIP, HITCH PIN
14	60047806	PIN, CLEVIS .250 X 1.000, .06 PIN CRS
15	60155704	ACTUATOR, LINEAR 2" 24VDC
16	A3372702	TANK, JACKET FRONT SSHLV14
	A3372704	TANK, JACKET FRONT SSHLV14T
17	B3507301	FLUE, WELDMENT SSHLV14
	B3507201	FLUE, WELDMENT SSHLV14T
18	B3337001	TANK, WELDMENT STANDARD SSHLV14
	B3337002	TANK, WELDMENT OIL LVL SENSOR SSHLV14
	B3337901	TANK, WELDMENT STF SSHLV14T
	B3337902	TANK, WELDMENT OLP SSHLV14T
19	B5305001	ELECTRIC ASSEMBLY DVI
20	A4027901	HANDLE DRAIN BRACKET (LEFT HAND, VIEWED FROM FRONT OF FRYER)
	A4027903	HANDLE DRAIN BRACKET (RIGHT HAND, VIEWED FROM FRONT OF FRYER)
21	PP10263	SWITCH PROXIMITY
22	A4027802	HANDLE DRAIN VALVE (LEFT HAND, VIEWED FROM FRONT OF FRYER)
	A4027804	HANDLE DRAIN VALVE (RIGHT HAND, VIEWED FROM FRONT OF FRYER)
23	60138701	VALVE BALL 1-1/4 FP NON LOCKING
24	60092101	NUTSERT 4-40 UNC
25	P0190200	PIN COTTER 1/16 X 3/4 ZN
26	B4007901	HANDLE DRAIN VALVE SSHLV14*
27	B6693201	FILTER WELDMENT RETURN ACTUATOR MOUNT S*LV
28	A3535901	FLUE GASKET SSHLV14
	A3535903	FLUE GASKET SSHLV14T

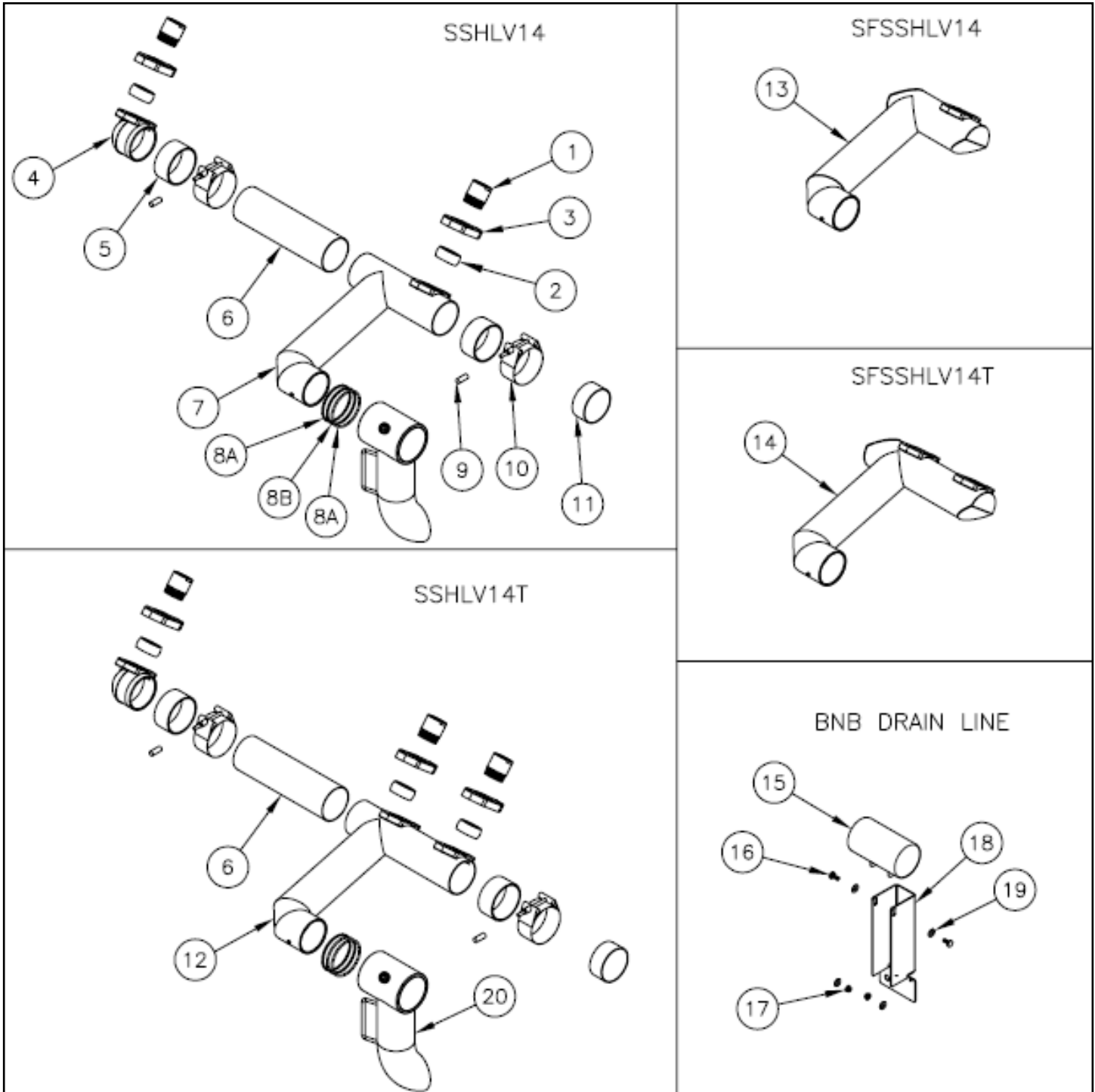
Tank & Flue Detail



**G.) Drain Line Parts list**

ITEM #	PART#	PART DESCRIPTION
1	A7021701	FILTER, NIPPLE ADAPTER
2	A7022101	FILTER DRAIN SEAL FERRULE
3	A7022201	FILTER DRAIN FLANGE
4	B6665101	FILTER DRAIN ELBOW
5	60059302	DRAIN LINE GASKET
6	A7022453	FILTER DRAIN LINE TUBE SSSLV14-SSHLV
	A7022455	FILTER DRAIN LINE TUBE SSSLV14T-SSHLV
7	B6695001	FILTER, DRAIN LINE WELDMENT
8A	60068303	FLUROPOLYMER O-RING, 3" X 3.25 OD (WHITE)
8B	60068302	VITON O-RING (BLACK)
8C	60068303	FLUROPOLYMER O-RING, 3" X 3.25 OD (WHITE)
9	PP10177	VINYL SCREW PROTECTION CAP
10	60127702	QUICK RELEASE BAND CLAMP
11	B6679501	FILTER WELDMENT DRAIN LINE END CAPF
12	B6695201	FILTER DRAIN LINE WELDMENT SSSLV14T
13	B6695401	FILTER DRAIN LINE WELDMENT SSSLV14 SOLO FILTER
14	B6695301	FILTER DRAIN LINE WELDMENT SSSLV14T SOLO FILTER
15	B6665501	B-N-B DRAIN LINE
16	P0113300	SCREW, 1/4 - 20 X 3/8
17	PP10668	ACORN NUT, 1/4 - 20
18	A7049201	FILTER BRACKET BNB DRAIN SUPPORT
19	P0080650	WASHER, FLAT 1/4
20	B6695101	FILTER DRAIN LINE DOWN SPOUT SSSLV14*

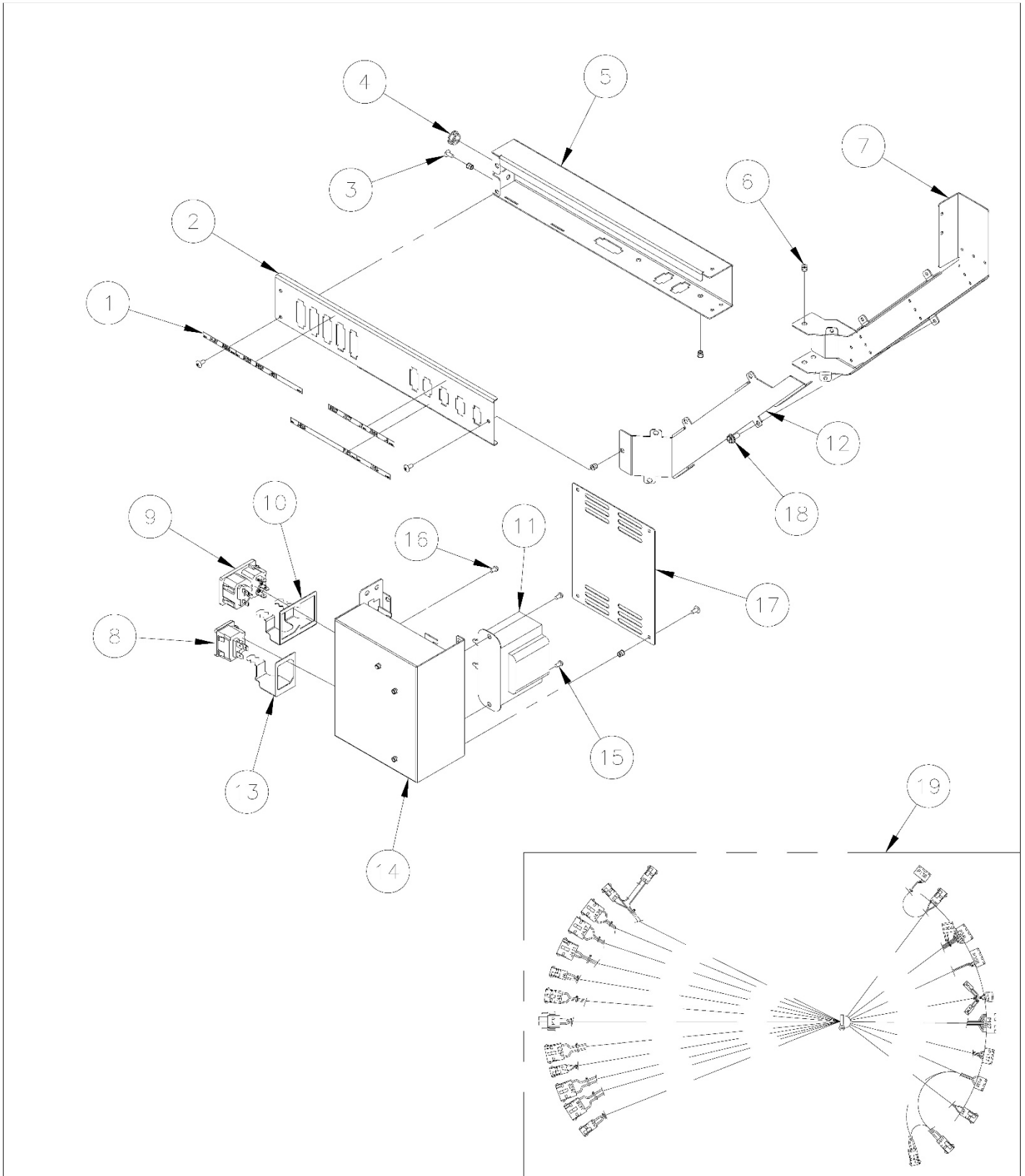
Drain Line Detail



H.) Entrance Box Parts List

ITEM #	PART#	PART DESCRIPTION
1	A6103101	LABEL CONNECTOR ID SSSLV14*
2	A2978101	ENTRANCE BOX,RACEWAY BODY COVER
3	PP10687	SCR,6-32 X 5/16 TH PHILLIPS
4	60130401	BUSHING .512 HOLE DIAMETER
5	A2978001	ENTRANCE BOX RACEWAY BODY
6	P0091400	NUTSERT 6-32 UNC
7	A2978301	ENTRANCE BOX RACEWAY
8	PP11337	RECEPTICLE 10A-250V IEC-320 SNAP IN
9	60148401	CONNECTOR POWER INLET & OUT IEC320
10	A7044001	FILTER STRAIN RELIEF PUMP BOX DUAL IEC
11	PP10429	TRANSFORMER 80VA 120/208/240V TO 24V
12	A2978201	ENTRANCE BOX RACEWAY VERTICAL GUIDE
13	A2965603	ENTRANCE BOX,STRAIN RELIEF IEC RH
14	A2978401	ENTRANCE BOX,POWER SUPPLY SSSLV14*
15	PP10686	SCREW 6-32 X 1/4 ROUND HEAD PHILLIPS ZINC
16	PP10689	SCR,6-32 X 1/2 RDH PHILLIPS ZN
17	A2978501	ENTRANCE BOX,POWER SUPPLY COVER
18	PP10023	SCREW 10-24 X 3/8 SELF TAP
19	B6800801	WIRING CONTROL SSSLV

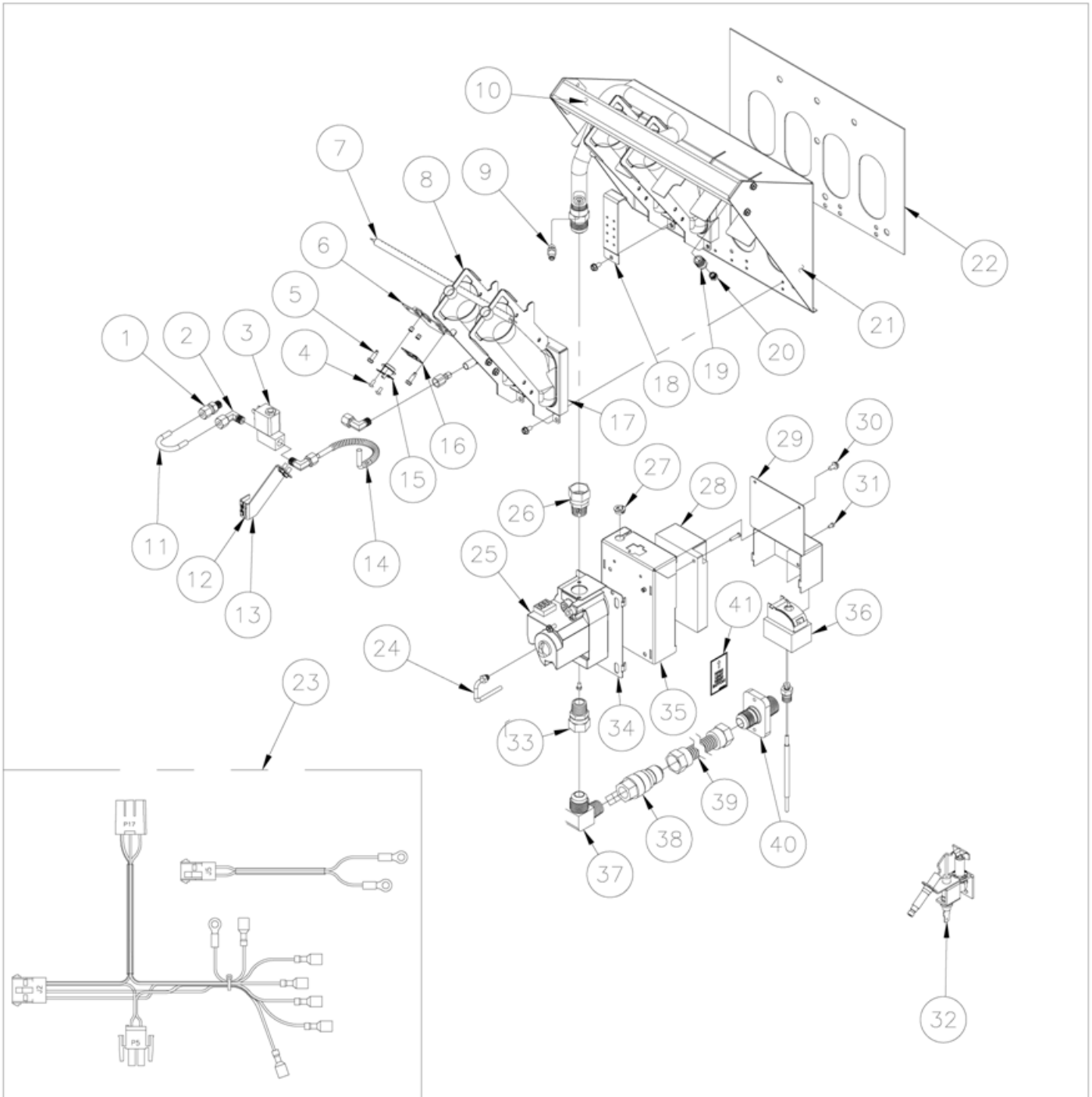
Entrance Box View



J.) Burner & Gas Supply Parts List

ITEM #	PART#	PART DESCRIPTION
1	PP10934	FITTING, COMPRESSION BRASS STRAIGHT 1/4TU X 1/8MPT
2	P7037797	FITTING, COMPRESSION ELBOW BRASS 1/4TU X 1/8MPT
3	60148101	VALVE, SOLENOID 24VAC
4	PP10687	SCREW 6-32 X 5/16 TRUSS HEAD PHILLIPS ZN
5	P0075300	SCREW 10-16 X 5/8 HEX HEAD SELF-DRILLING
6	A2036910	SELF-CLEANING BURNER HIGH-LIMIT BRACKET SSSLV*
7	B8060101	PIPING BURNER RUNNER TUBE SSSLV14
	B8060102	PIPING BURNER RUNNER TUBE SSSLV14T
8	SEE PARTS LIST B	BURNER
9	60132801	FITTING TEST PRESSURE PLUG 1/8-27 (CE)
10	SEE PARTS LIST B	BURNER MANIFOLD WELDMENT
11	A8039001	PIPING, TUBING SCB SG
12	A6100501	LABEL ROLLOUT RESET SWITCH
13	A2043001	CONTROL BOX PILOT ORIFICE RETAINING BRACKET SSSLV14*
14	60119010	TUBE, FLEXIBLE WITHOUT FITTINGS 6 X 1/4 OD
15	60147801	THERMAL-LIMIT SWITCH WITH MANUAL RESET
16	A6099001	LABEL SCB ROLLOUT RESET SWITCH SG
17	SEE PARTS LIST B	BURNER SHIELD
18	SEE PARTS LIST B	BURNER FLAME JUMPER
19	60129701	FITTING 1/4 MNPT X .344-32 UNS ORIFICE TIP BRASS
20	SEE PARTS LIST B	ORIFICE TIP
21	SEE PARTS LIST B	BURNER BRACKET
22	A8050901	PIPING GASKET BURNER SSSLV14
	A8050902	PIPING GASKET BURNER SSSLV14T
23	B6800701	WIRING EI MODULE HARNESS
	P5045113	WIRE ASSY ELECTRIC IGN-HV
	B6783401	WIRING IGN CABLE W/GND 20 IN
24	60125901	TUBE VENT GAS VALVE*
25	SEE PARTS LIST B	GAS VALVE
26	60127601	FITTING, ADAPTER FEMALE SWIVEL X 1/2 MPT
27	60130401	BUSHING .512 HOLE DIAMETER
28	60181901	CONTROL, IGNITION SPARK 24VAC CE
29	A8050701	PIPING, IGNITION MODULE HI LIMIT BRACKET
30	PP10023	SCREW, 10-24 X .375 SELF TAPPING
31	PP10686	SCREW 6-32 X .250 ROUND HEAD PHILLIPS ZN
32	60182601	PILOT, INLINE ELECTRONIC IGNITION NATURAL
	60182602	PILOT, INLINE ELECTRONIC IGNITION PROPANE
33	2908-0940501	ORIFICE PILOT RUNNER TUBE
34	A8050601	PIPING VALVE SHIELD BRACKET LH
	A8050603	PIPING VALVE SHIELD BRACKET RH
35	A8050501	PIPING VALVE SHIELD SPLASH GUARD SSSLV14 LEFT HAND
	A8050501	PIPING VALVE SHIELD SPLASH GUARD SSSLV14T RIGHT HAND
36	PP10084	SWITCH, HI-LIMIT LCM05030
37	60127401	FITTING, ELBOW MALE FLARE X MALE PIPE THREAD
38	60128101	VALVE, GAS SUPPLY SHUTOFF
39	60128015	TUBING, FLEXIBLE WITH FITTINGS 22 GAS
40	A8029105	COUPLING, GAS SUPPLY SHORT SG, MKG
41	A6104701	LABEL HIGH LIMIT RESET

Burner & Gas Supply Detail



**Burner & Gas Supply Parts List B**

ITEM #	PART#	PART DESCRIPTION
8	B8037301-C	BURNER SLOTTED-FACE NATURAL
	B8037302-C	BURNER SLOTTED-FACE LP
	B8041901	BURNER INCONEL 601 WIRE-FACE SCREEN NATURAL SCB & LP
10	B8060001	PIPING BURNER CENTER TAP MANIFOLD WELDMENT SSSLV
	B8060301	PIPING, BURNER MANIFOLD WELDMENT SSSLV14T
17	A8031703	BURNER SHIELD NATURAL RIGHT-HAND SGM1824
	A8034903-C	BURNER COLLAR LP FULL RIGHT-HAND SGM1824
	A8031707	BURNER SHIELD NATURAL RIGHT-HAND SGM24
	A8034909-C	BURNER COLLAR LP FULL RIGHT-HAND SGM24
	A8031711	BURNER SHIELD NATURAL RIGHT-HAND SGM34
	A8034913-C	BURNER COLLAR LP FULL RIGHT-HAND SGM34
18	A8027701	BURNER FLAME JUMPER SG14,SG14R,SG18,SG18F,SGC
	A8031601	BURNER CROSSOVER SGM1824,SGM24,SGM34
20	A7513708	ORIFICE, 2.15MM
	A7513707	ORIFICE, 1.90MM
	P6071357	ORIFICE, #57
	P6071356	ORIFICE, #56
	PP10862	ORIFICE, 1.25MM
	P6071347	ORIFICE, #47
21	A8050801	PIPING, BURNER BRACKET SSSLV14
	A8051301	PIPING, BURNER BRACKET SSSLV14T
25	60113501-C	VALVE GAS VR8204 24V FAST NAT
	60113502-C	VALVE GAS VR8204 24V FAST LP
	60113503-C	VALVE GAS VR8204 24V FAST CE NAT
	60113504-C	VALVE GAS VR8204 24V FAST CE LP

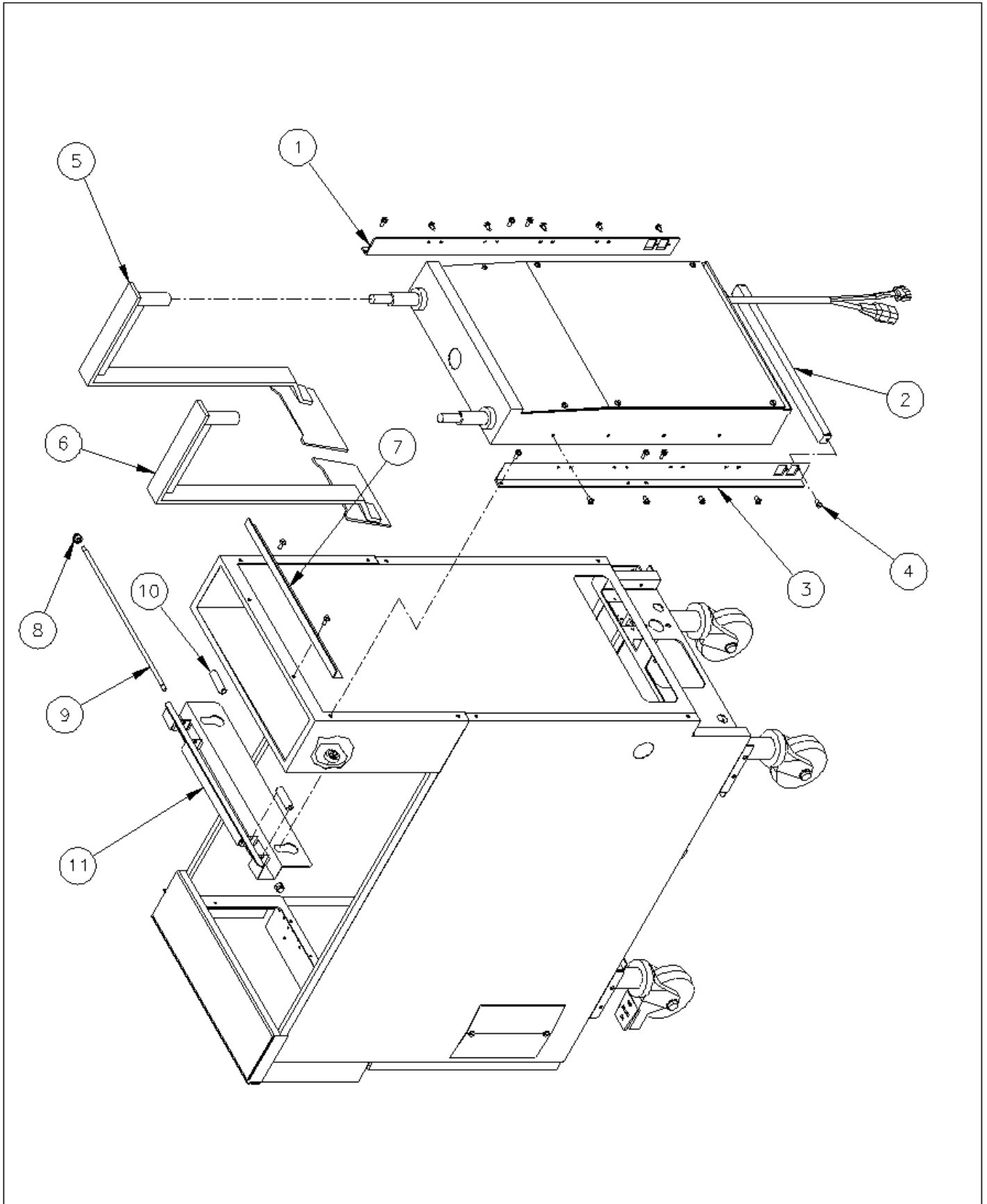


This Page Left Intentionally Blank

**K.) Basket Lift Assembly Parts List**

ITEM #	PART#	PART DESCRIPTION
1	A5624306	BASKET LIFT MOUNT SIDE LEFT SSSLV14
2	A5618302	BASKET LIFT MOUNT BOTTOM SG
3	A5624308	BASKET LIFT MOUNT SIDE RIGHT SSSLV14
4	PP10023	SCREW 10-24 X 3/8 SELF TAPPING
5	B5609401	BASKET LIFT, PADDLE SSSLV14* LH
	B5609403	BASKET LIFT, PADDLE SSSLV14T LH
6	B5609402	BASKET LIFT, PADDLE SSSLV14* RH
	B5609404	BASKET LIFT, PADDLE SSSLV14T RH
7	A5618502	BASKET LIFT DRIP SHIELD SG
8	PP10668	NUT ACORN W/CENTERLOCK 1/4-20
9	A5617902	BASKET LIFT HANGER SUPPORT AXLE SG
10	A5617801	BASKET LIFT HANGER SUPPORT WHEEL SG
11	A5627402	BASKET LIFT, HANGER SUPPORT SSSLV14*
12 NOT SHOWN	B5604409	BASKET LIFT HANGER SUPPORT ASSY SSSLV* (INCLUDES 8-11)
13 NOT SHOWN (INCLUDES ALL ITEMS)	B5604512	BASKET LIFT HANGER AND MOUNTING KIT SSSLV14 (INCLUDES 1-11)
	B5604513	BASKET LIFT HANGER AND MOUNTING KIT SSSLV14T (INCLUDES 1-11)

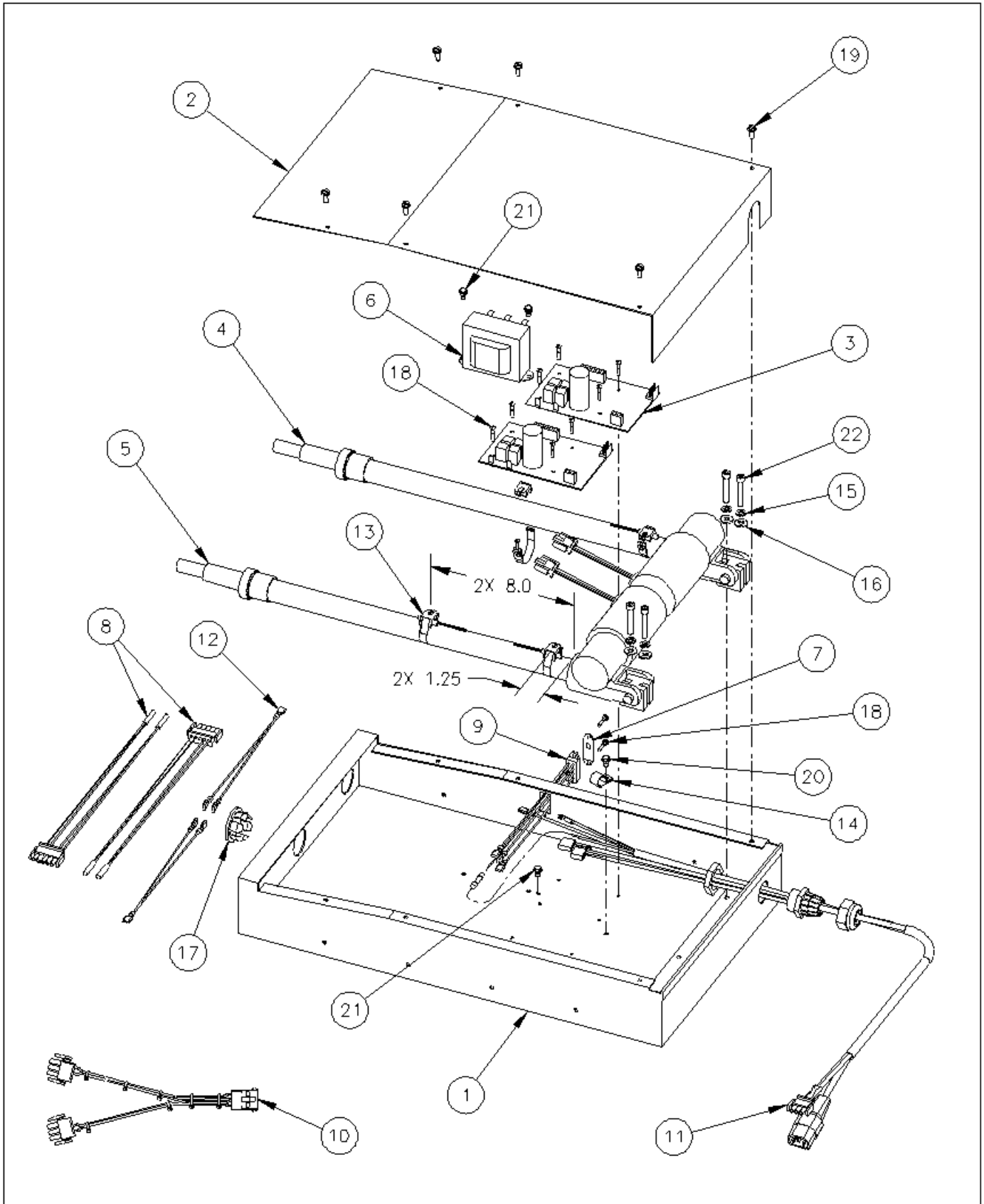
Basket Lift Assembly Detail



**L.) Basket Lift Components Parts List**

ITEM #	PART #	PART DESCRIPTION
1	B5605601	BASKET LIFT BOX ACTUATOR MODULAR WELDMENT
2	A5619002	BASKET LIFT BOX COVER ACTUATOR MODULAR
3	60134001	CONTROL BASKET LIFT DRIVER BOARD
4	60134301	ACTUATOR 25 3.3-9.4 24VDC 1IPS LEFT-HAND
5	60134302	ACTUATOR 25 3.3-9.4 24VDC 1IPS RIGHT-HAND
6	PP10429-M	TRANSFORMER 80VA 120/208/240V TO 24V
7	A2958102	ENTRANCE BOX SWITCH COVER 120V
	A2958104	ENTRANCE BOX SWITCH COVER 208V
	A2958106	ENTRANCE BOX SWITCH COVER 220/240V
8	B5308901	WIRING BASKET LIFT LIMIT SWITCH ACTUATOR
9	B6744901	WIRING VOLTAGE SELECT 120/208/220-240V
10	B6748901	WIRING HARNESS BASKET LIFT (SG14T)
11	B6779001	WIRING BASKET LIFT MAIN ACTUATOR
12	B6779101	WIRING BASKET LIFT TRANSFORMER ACTUATOR
13	60136901	CLAMP BASKET LIFT LIMIT SWITCH
14	P6071071	CLAMP WIRE 3/8 NYLON
15	PP10673	WASHER LOCK 1/4 SST SPLIT
16	N/A	WASHER FLAT 1/4 SST
17	N/A	HOLE PLUG KEYSTONE #7610 OR EQUIVALENT
18	N/A	SCREW 6-32 X 3/4 PHH PNH SST W/LK WASHER
19	P0075400	SCREW 10-24 X 1/2 SELF TAPPING
20	PP10693	SCREW 10-24 X 3/8 PHH TRH ZN
21	N/A	SCREW 10-24 X 3/8 INDT HEX W/EXT WASHER
22	N/A	SOCKET HEAD CAP SCREW 1/4-20 X 1-1/2 SST
23 NOT SHOWN (INCLUDES ALL ITEMS)	B5604601-C	BASKET LIFT ACTUATOR BOX ALL VOLTAGES (NOT SHOWN)

Basket Lift Components Detail





In the event of problems with or questions about your order, please contact Pitco Frialator factory at :
(603)225-6684 World Wide
www.pitco.com

In the event of problems with or questions about your equipment, please contact the Pitco Authorized Service and Parts representative (ASAP) covering your area, or contact Pitco at the numbers listed to the left.

MAILING ADDRESS – P.O. BOX 501, CONCORD, NH 03302-0501