



IMPORTANT FOR FUTURE REFERENCE

Please complete this information and retain this manual for the life of the equipment:

Model #: _____

Serial #: _____

Date Purchased: _____

ENGLISH

Parts Manual

SSPG Gas Pasta Cooker





TO THE PURCHASER, OWNER AND STORE MANAGER

Please review these warnings prior to posting them in a prominent location for reference

TO THE PURCHASER

Post in a prominent location the instructions to be followed in the event that an operator smells gas. Obtain this information from your local gas supplier.

WARNING

DO NOT store or use gasoline or other flammable vapors and liquids in the vicinity of this or any other appliance.

WARNING

Improper installation, alteration, service or maintenance can cause property damage, injury or death. Read the installation, operating and maintenance instructions thoroughly before installing or servicing this appliance.

WARNING

Installation, maintenance and repairs should be performed by a Pitco Authorized Service and Parts (ASAP) company technician or other qualified personnel. Installation, maintenance or repairs by an unauthorized and unqualified personnel will void the warranty.

WARNING

Installation and all connections must be made according to national and local regulations and codes in force.

WARNING

During the warranty period if a customer elects to use a non-original part or modifies an original part purchased from Pitco and/or its Authorized Service and Parts (ASAP) companies, this warranty will be void. In addition, Pitco and its affiliates will not be liable for any claims, damages or expenses incurred by the customer which arises directly or indirectly, in whole or in part, due to the installation of any modified part and/or received from an unauthorized service center.

WARNING

This appliance, when installed, must be electrically grounded in accordance with local codes, or in the absence of local codes, with the National Electrical Code, ANSI/NFPA 70, or the Canadian Electrical Code, CSA C22.2, as applicable.

WARNING

Adequate means must be provided to LIMIT the movement of this appliance without depending on the gas or electrical cord connection. Single appliances equipped with legs must be stabilized by installing anchor straps. All appliances equipped with casters must be stabilized by installing restraining chains.

WARNING

An appliance equipped with casters and a flexible gas line must be connected to the gas supply with a quick disconnect device. This quick disconnect must comply with ANSI Z24.41.

WARNING

DO NOT alter or remove structural material on the appliance to accommodate placement under a ventilation hood.

WARNING

This appliance is intended for professional use only and should be operated by fully trained and qualified personnel.

WARNING

If the appliance is equipped with a power cord and it is damaged, it must be replaced by a Pitco Authorized Service and Parts (ASAP) company technician, or a similarly qualified person in order to avoid a hazard.

WARNING

The power supply must be disconnected before servicing, maintaining or cleaning this appliance.

WARNING

The appliance is NOT jet stream approved. DO NOT clean the appliance with a water jet.

WARNING

DO NOT attempt to move this appliance or transfer hot liquids from one container to another when the unit is at operating temperature or filled with hot liquids. Serious personal injury could result if skin comes in contact with the hot surfaces or liquids.

WARNING

DO NOT sit or stand on this appliance. The appliance's front panel, tank, splash back, tank cover, workshelf, drain board is not a step. Serious injury could result from slipping, falling or contact with hot liquids.

WARNING

NEVER use the appliance as a step for cleaning or accessing the ventilation hood. Serious injury could result from slips, trips or from contacting hot liquids.

WARNING

The water level should be maintained at the level line. DO NOT turn the appliance on until the heat tubes are fully covered with water at all times. Serious injury could result from hot steam vapors off the heat tubes.

WARNING

If overflow drain is not equipped or if overflow drain stop is used, do not leave appliance unattended while filling with water. Over filling the appliance can cause serious injuries and damage the equipment.

WARNING

Completely shut the appliance down when the water is being drained from the appliance. This will prevent the appliance from heating up during the draining and filling process. Serious injury can occur.

WARNING

This appliance is intended for indoor use only.

WARNING

DO NOT operate appliance unless all panels and access covers are attached correctly.

WARNING

It is recommended that this appliance be inspected by a qualified service technician for proper performance and operation on a yearly basis.

WARNING

There is an open flame inside this appliance. The unit may get hot enough to set nearby materials on fire. Keep the area around the appliance free from combustibles.

WARNING

DO NOT supply the appliance with a gas that is not indicated on the data plate. If you need to convert the appliance to another type of fuel, contact your dealer.

WARNING

DO NOT use an open flame to check for gas leaks!

WARNING

If gas flow to appliance is interrupted, or pilots extinguish, wait 5 minutes before attempting to relight the pilot to allow any residual gas in appliance to dissipate.

WARNING

Ensure that the appliance can get enough air to keep the flame burning correctly. If the flame is starved for air, it can give off a dangerous carbon monoxide gas. Carbon monoxide is a clear odorless gas that can cause suffocation.



NOTICE

IN THE EVENT OF PROBLEMS OR QUESTIONS ABOUT YOUR ORDER, CONTACT PITCO FRIALATOR AT (603) 225-6684.

IN THE EVENT OF PROBLEMS OR QUESTIONS ABOUT YOUR EQUIPMENT, CONTACT THE PITCO AUTHORIZED SERVICE AND PART REPRESENTATIVE (ASAP) COVERING YOUR AREA OR CONTACT PITCO AT THE NUMBER LISTED ABOVE.

MAILING ADDRESS

PITCO FRIALATOR
P.O. BOX 501
CONCORD, NH 03301-0501

SHIPPING ADDRESS

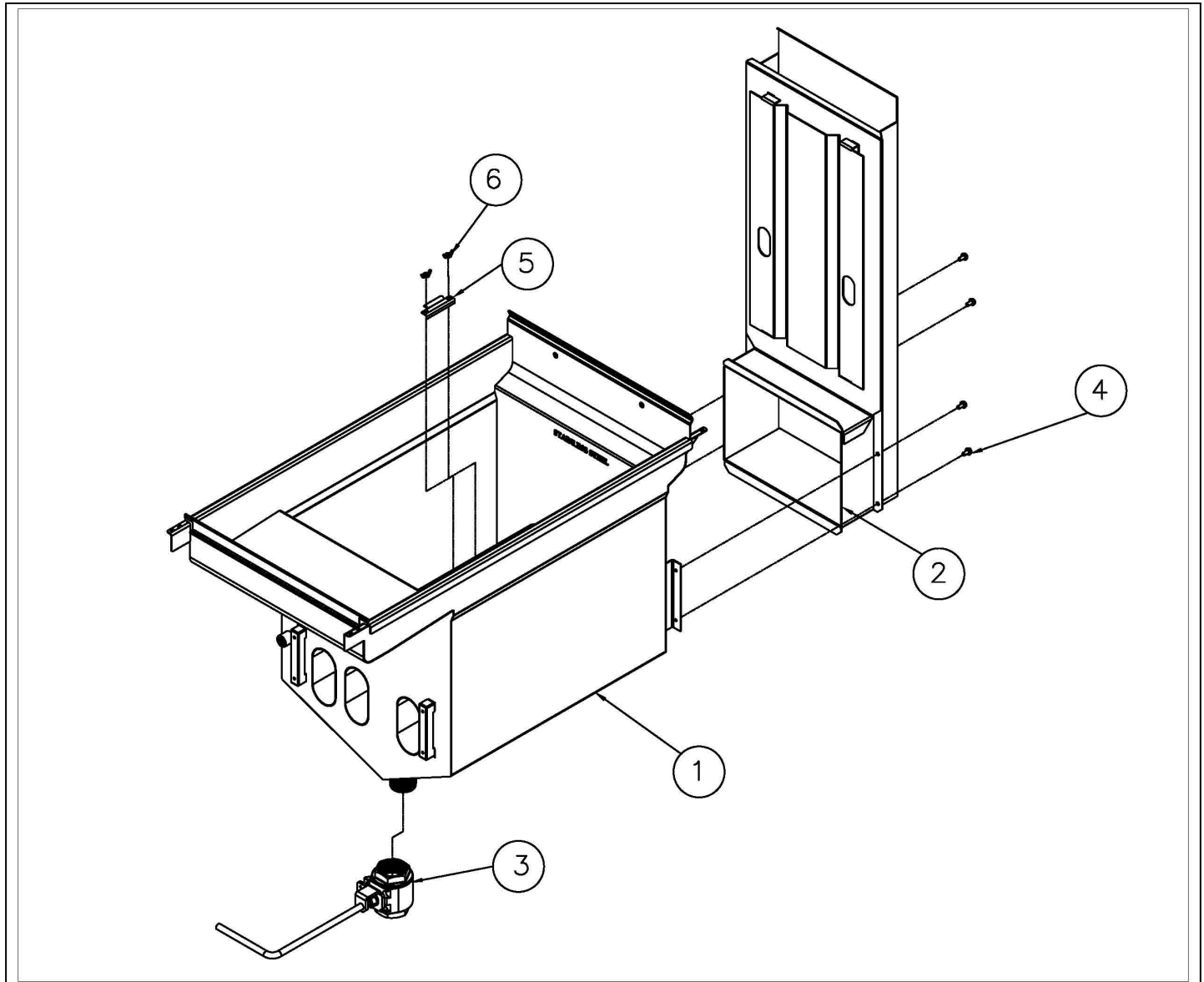
PITCO FRIALATOR
39 SHEEP DAVIS RD
PEMBROKE, NH 03275

TABLE OF CONTENTS

A) TANK AND FLUE	4
B) BURNER ASSEMBLY	5
C) GAS TRAIN	6
D) CONVERSION KIT	7
E) STANDARD CABINET	8-9
F) MANUAL WATER FILL	10-11
G) REGULATED MIXING VALVE WATER FILL	12-13
H) FRONT COMPONENT PANEL	14-15
I) IGNITION MODULE	16-17
J) ENTRANCE BOX	18-19
K) ACCESSORIES	20

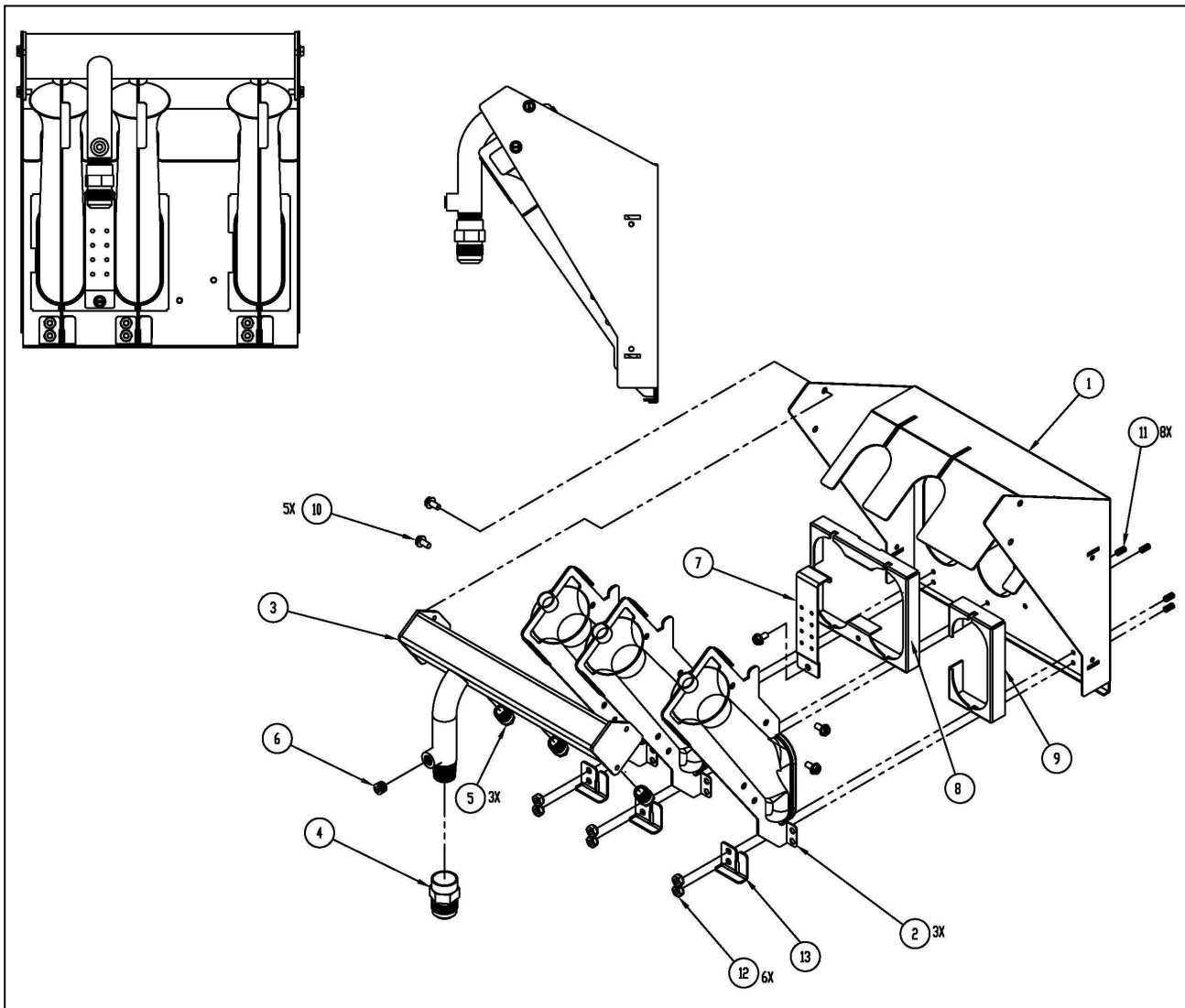
A) TANK AND FLUE

BOM TABLE			
ITEM NO.	PART NO.	DESCRIPTION	QTY
1	B3330702	TANK, WELDMENT	1
2	B3505601	FLUE, WELDMENT	1
3	60148604	VALVE, BALL 1.250" FULL PORT STAINLESS	1
4	PP10023	SCREW, 10-24 X .375 SELF TAPPING	4
5	A1402202	CLAMP, BULB LIMIT 316 SS	1
6	PP10568	NUT, WING 10-24 SS	2



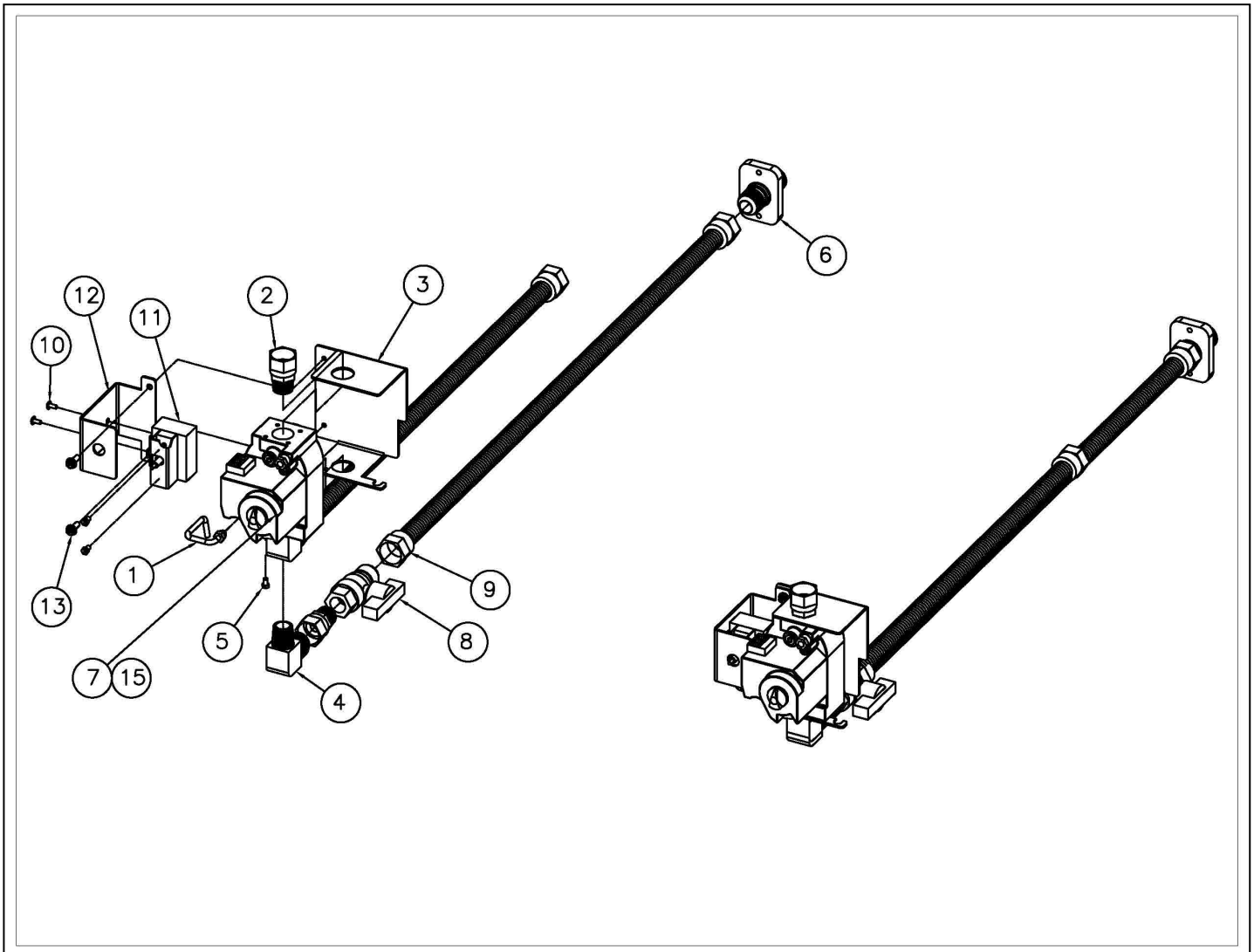
B) BURNER ASSEMBLY

BOM TABLE				
ITEM NO.	PART NO.	DESCRIPTION	NAT QTY	LP QTY
1	A8042301	PIPING, BURNER RETAINER BRACKET	1	1
2	B8041901	PIPING, BURNER INCONEL 601 SCREEN	3	-
	B8046101	PIPING, BURNER INCONEL 20X20 SCREEN	-	3
3	B8046301	PIPING, BURNER MANIFOLD WELDMENT	1	1
4	60127501	FITTING, ADAPTER MALE FLARE X .500 FPT	1	1
5	60129701	FITTING, BURNER	3	3
6	N/A	1/8 NPT 3/16 HEX SOCKET HEAD PLUG	1	1
7	A8031601	PIPING, CROSSOVER	1	1
8	A8031701	PIPING, BURNER SHIELD LH	1	-
	A8034901	PIPING, BURNER LP SHIELD LH	-	1
9	A8031801	PIPING, BURNER SHIELD	1	-
	A8034905	PIPING, BURNER LP SHIELD	-	1
10	PP10023	SCREW, 10-24 X .375 SELF TAPPING HEX HD SLTD	5	5
11	PP10248	STUD, WELD FLANGED 10-24 UNC X 375	8	8
12	P0092300	NUT, HEX KEP 10-24 ZN	6	6
13	A8043201	PIPING, BURNER BRACKET	3	4



C) GAS TRAIN

BOM TABLE				
ITEM NO.	PART NO.	DESCRIPTION	NAT 24V QTY	LP 24V QTY
1	60125901	TUBE, VENT GAS VALVE	1	1
2	60127601	FITTING, APAPTER FEMALE SWIVEL X 500 NPT	2	2
3	A8043501	PIPING, VALVE SHIELD HE PASTA	1	1
4	60127401	FITTING, ELBOW MALE FLARE X MALE PIPE THREAD	2	1
5	P0007300	SCREW, 8-32 X .250 HEX HEAD SLOTTED ZN	3	3
6	A8029105	COUPLING, GAS SUPPLY SHORT	1	1
7	60113501	VALVE, GAS VR8204 24V FAST NAT	1	-
8	60128101	VALVE, GAS SUPPLY SHUTOFF	1	1
9	6012816	TUBING, FLEXIBLE WITH FITTINGS 28 GAS	1	1
10	PP10687	SCREW, 6-32 X 3/13 THRUSS HEAD PHILLIPS ZN	2	2
11	PP10803	SWITCH, HI-LIMIT 250F LB117-026	1	1
12	A8043601	BRACKET, HI LIMIT PSG	1	1
13	P0075400	SCREW, 10-24 X .500 SELF TAPPING	2	2
14	B6745502	WIRING, HI-LIMIT 24VAC (NOT SHOWN)	1	1
15	60113502	VAVLE, GAS VR8204 24V FAST LP	-	1



D) CONVERSION KITS

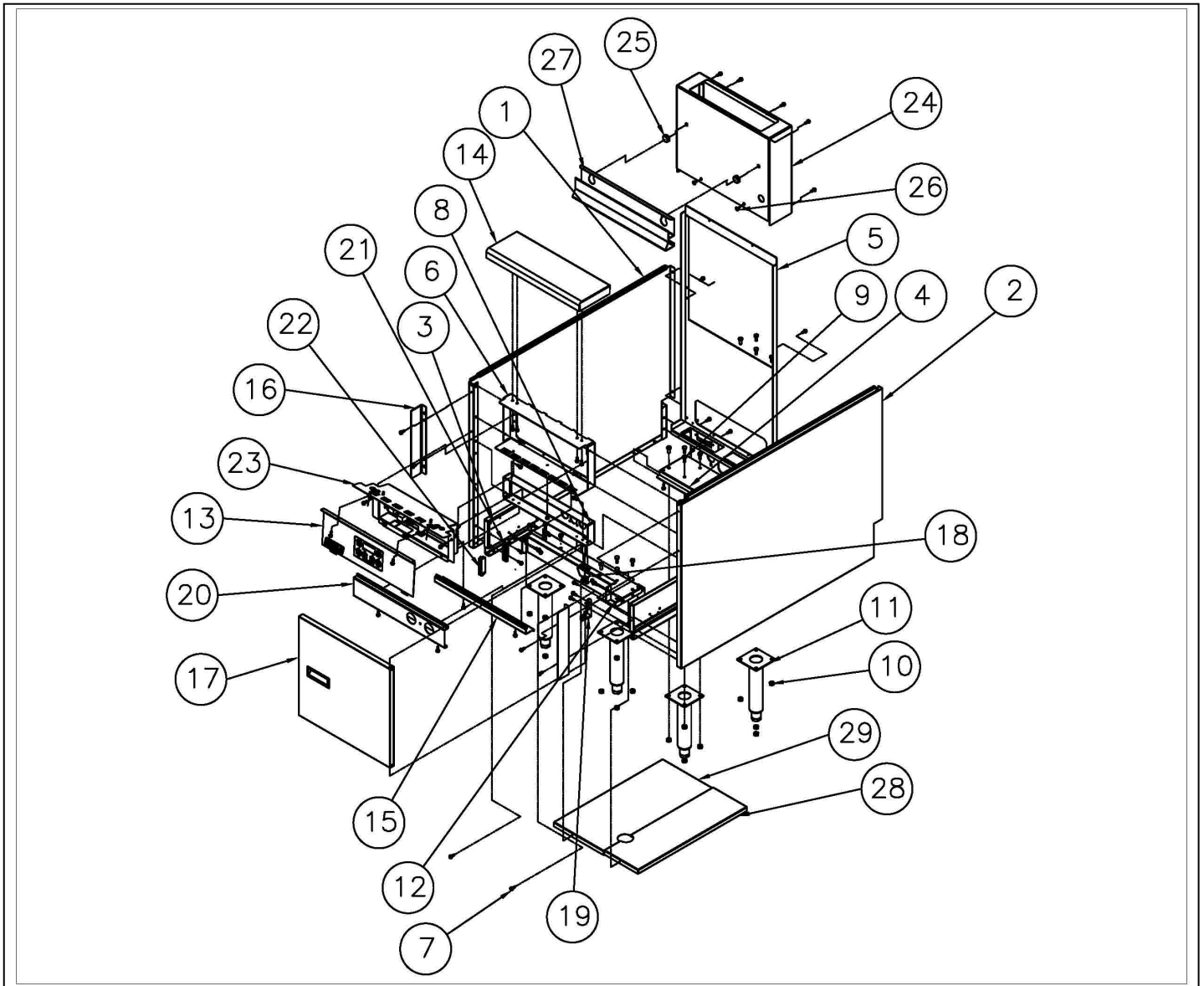
LP TO NATURAL			
ITEM #	PART #	PART DESCRIPTION	QTY
1	B7510107-C	SSPG CONV LP TO NAT VR8204	
	A8031701	PG,BNR SHLD LH DG14	1
	A8031807	PG,BNR SHLD RH SG14T	1
	PP11319	VLV,CONV KIT VR8204 LP TO NAT	1
	P6071346	ORIFICE #46	3
	P6071666	ORF,SPUD NAT .022[0.55]	1
	PP10427	LBL,GAS NOTICE CVRSN NAT	1
	2908-041000	ORF,PILOT RNR TUBE #58	1

NATURAL TO LP			
ITEM #	PART #	PART DESCRIPTION	QTY
1	B7510108-C	SSPG CONV NAT TO LP VR8204	
	A8034901	PG,COLLAR BNNR LP FT LH MG,SGH	1
	A8034905	PG,COLLAR BNR LP ST MG,SGH	1
	B8046101	PG,BNR INC 600,20X20 SCRN	3
	PP11141	VLV,CONV KIT VR8204 NAT TO LP	1
	P6071355	ORIFICE #55	3
	P6071665	ORF,SPUD LP .016[0.40]	1
	PP10426	LBL,GAS NOTICE CVRSN LP	1
	2908-1263900	ORF,PILOT RNR TUBE #70	1

E) STANDARD CABINET PARTS

BOM TABLE			
ITEM NO.	PART NO.	DESCRIPTION	QTY
1	A1537002	CABINET SIDE, LH HE PASTA GAS	1
2	A1537004	CABINET SIDE, RH HE PASTA GAS	1
3	A1537102	CABINET SIDE, SUPPORT HE PASTA MOD	2
4	A1638202	CABINET BACK,BOTTOM HE PASTA 14	1
5	A1638101	CABINET BACK, TOP SSPG14	1
6	A1853201	CABINET, SPACER HE PASTA 14	1
7	P0075400	SCREW, 10-24 X .500 SELF TAPPING	58
8	A1853601	CABINET, SPACER SOLSTICE GAS PASTA 14	1
9	P0020600	SCREW, .250-20 X .625 HEX HEAD ZN	16
10	P0093300	NUT, HEX KEP .250-20 ZN	16
11	60132401	LEG, ADJUSTABLE 9" POWDER COATED	4
12	A1234301	CABINET BOTTOM BRACE, FRONT	1
13		SEE PAGE 14 AND 15	1
14	B3636501	FRONT PANEL, TOP DECK WELDMNT	1
15	A3679002	FRONT PANEL, BOTTOM HE PASTA	1
16	A3678802	FRONT PANEL, END CAP	2
17	B2304616	DOOR, ASSEMBLY	1
18	B3802401	HINGE, WELDMNT UPPER RH	1
19	B3801801	HINGE, WELDMNT LOWER RH	1
20	A3679102	FRONT PANEL, LOWER SSPG14 T&S MX VLV	1
21	A1847002	CLIP, BRACKET MAGNET CATCH	1
22	P6071300	CATCH, MAGNET STANDARD	1
23	B2006102	CONTROL BOX ASSEMBLY	1
24	A4110902	SPLASH BACK, HE PASTA T&S	1
25	60132001	TANK, STUD SPLASH BACK SCREW ON	2
26	60125801	SCREW, 10-24 X .375 THRUSS HEAD SLOTTED SST	2
27	A1108002	BASKET HANGER, HEMMED HE PASTA	1
28	A1236502	CABINET, BOTTOM SHELF HE PASTA RH	1
29	A1236504	CABINET, BOTTOM SHELF HE PASTA LH	1

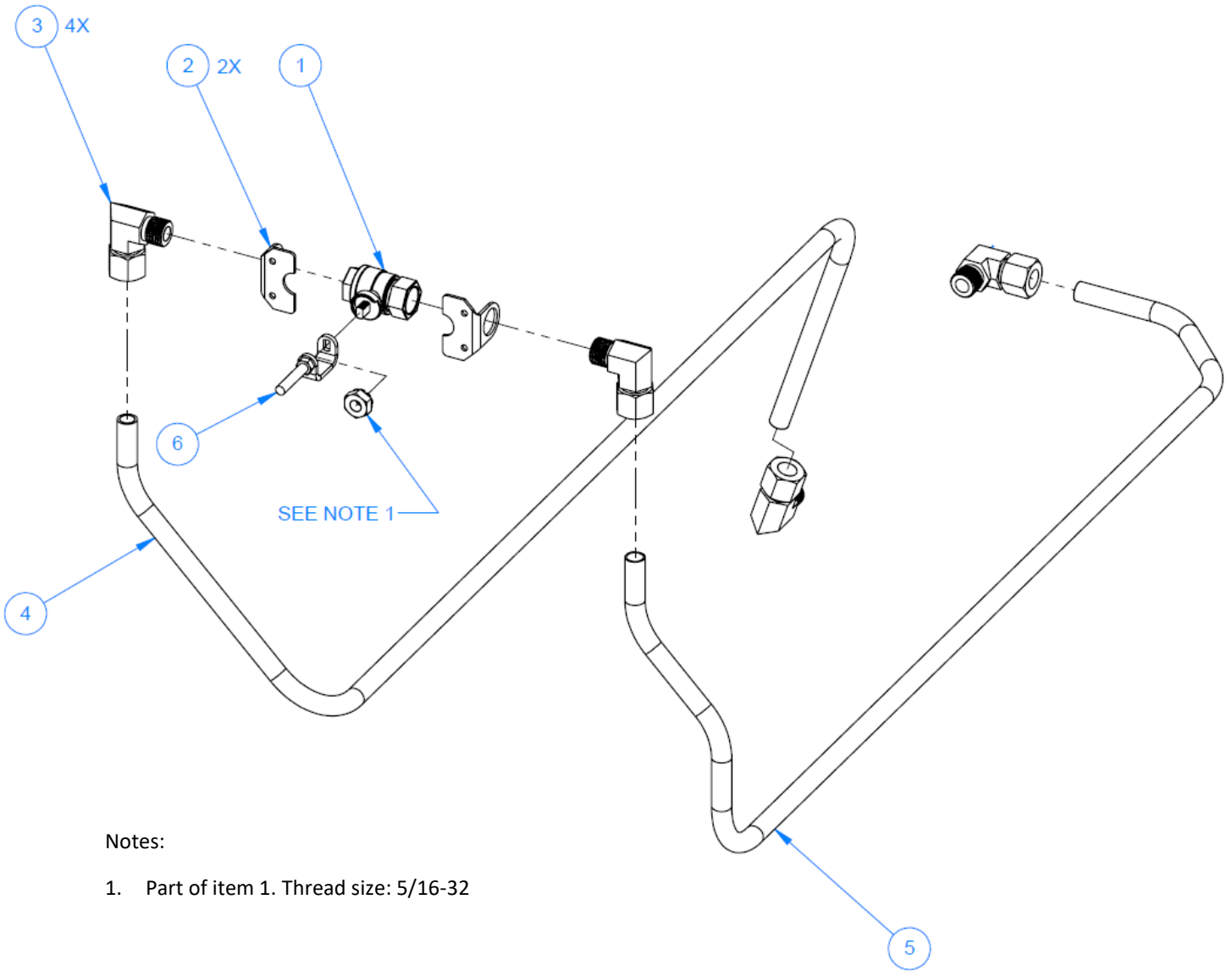
STANDARD CABINET DRAWING



F) MANUAL WATER FILL PARTS

ITEM NO.	PART NO.	DESCRIPTION	QTY
1	PP10945	VLV,WTR 3/8 BALL BRASS	1
2	A8043701	PG,MAN FILL VLV BRKT SSPG	2
3	60086402	FTG,COMP 1/2TU X 3/8NPT ELB LF	4
4	A8042401	PG,TU WTR INL HOT SSPG14	1
5	A8042701	PG,TU INL MAN FILL SSPG14	1
6	B8047801	PG,HDL VLV WLDMT SSPG	1

MANUAL WATER FILL DRAWING



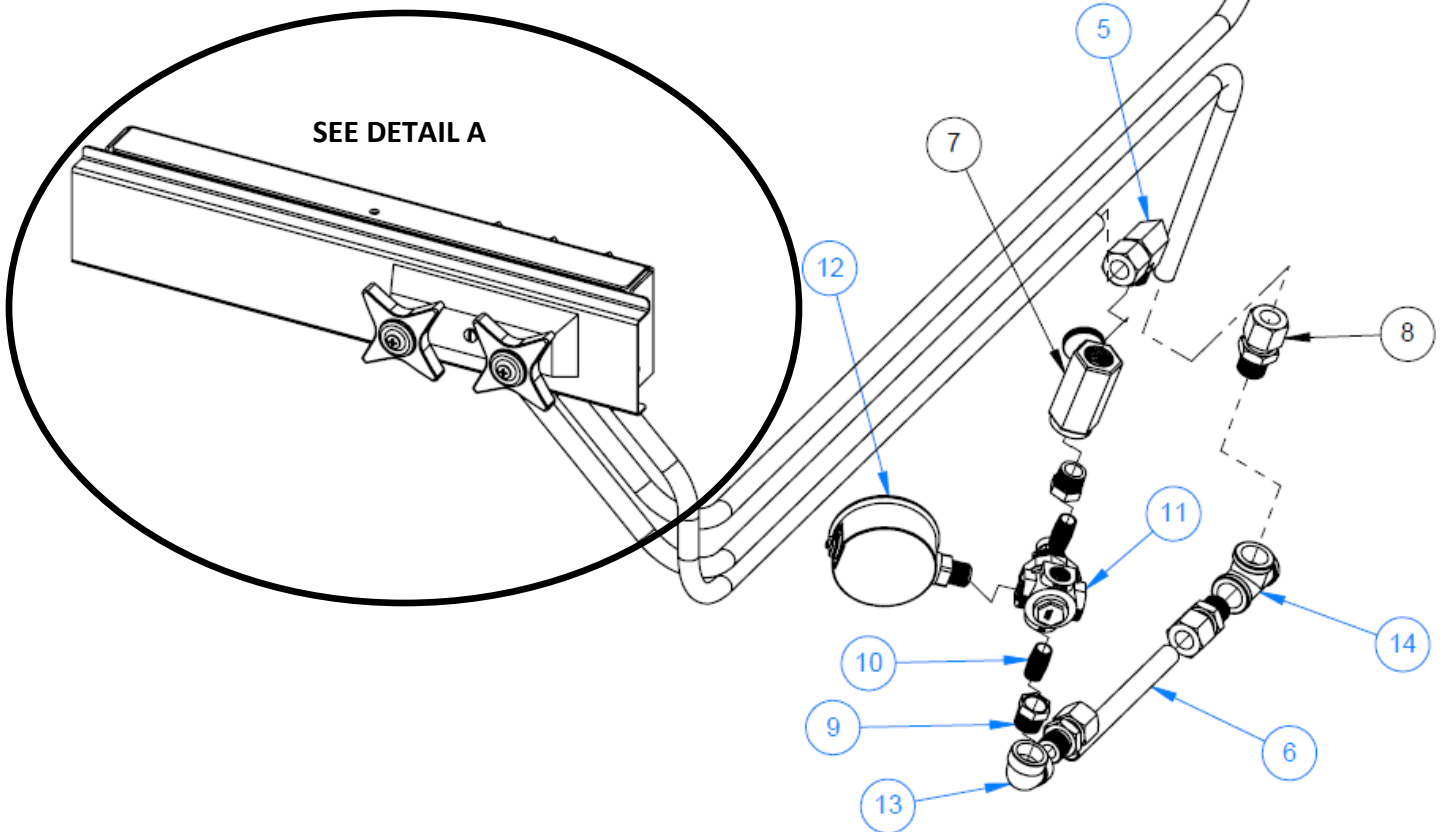
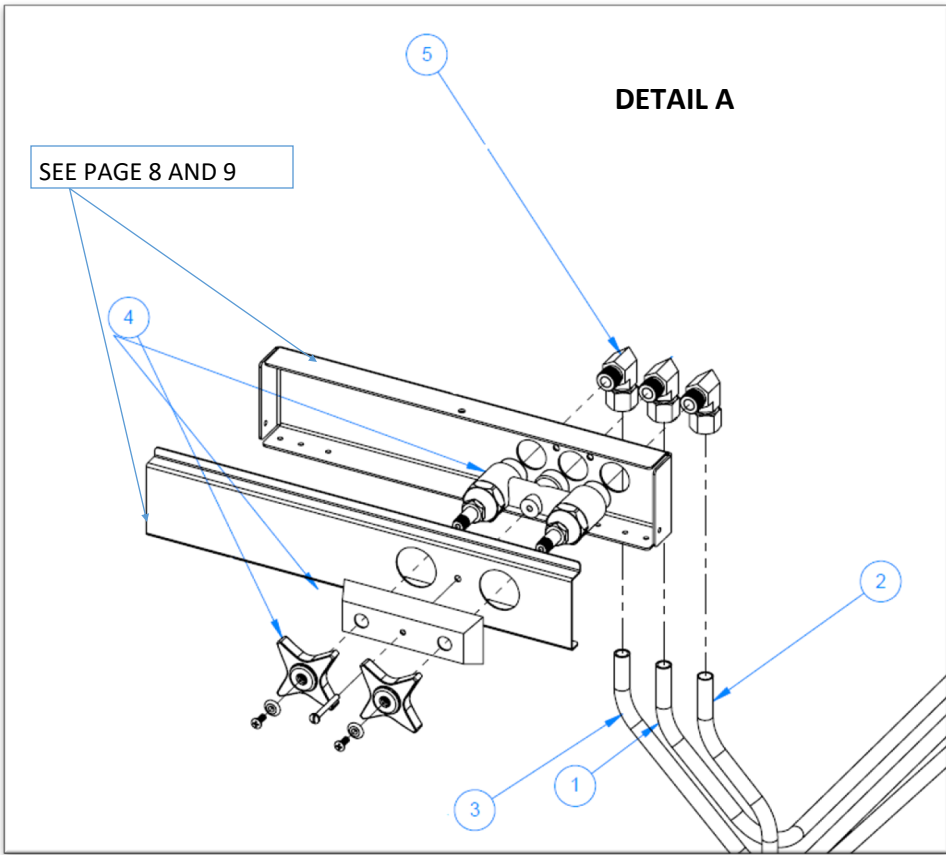
Notes:

- 1. Part of item 1. Thread size: 5/16-32

G) REGULATED MIXING VALVE WATER FILL PARTS

ITEM NO.	PART NO.	DESCRIPTION	QTY
1	A8042501	PG,TU TK SPLY WTR SSPG14	1
2	A8042602	PG,TU WTRINL CLD VLVOUT SSPG14	1
3	A8042402	PG,TU WTR INL HOT REG SSPG14	1
4	PP11190	VLV,MIXER 3/8 NPT HOT + COLD	1
5	60086402	FTG,COMP 1/2TU X 3/8NPT ELB LF	6
6	A8042604	PG,TU WTRINL CLD SPLY SSPG14	1
7	60169002	VLV,3/8"NPT NEEDLE SST	1
8	P8840-39	FTG,CPRSN BRS STR 1/2TU X 3/8N	3
9	PP10658	BSHG,RDCR HEX 3/8X1/4 NPT BRS	2
10	PP10655	NIP,BRS 1/4 CLO	2
11	60163401	REG,WATER	1
12	60163501	GAUGE,PRES 0-15 PSI PASTA	1
13	PP10664	ELBOW,BRASS 90 3/8	1
14	PP10659	TEE,BRASS 3/8	1

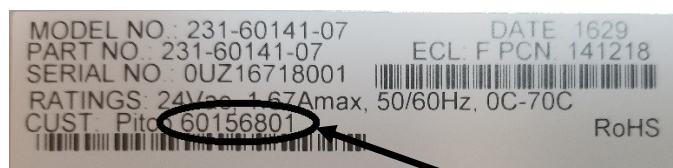
REGULATED MIXING VALVE WATER FILL DRAWING



H) FRONT COMPONENT PANEL PARTS

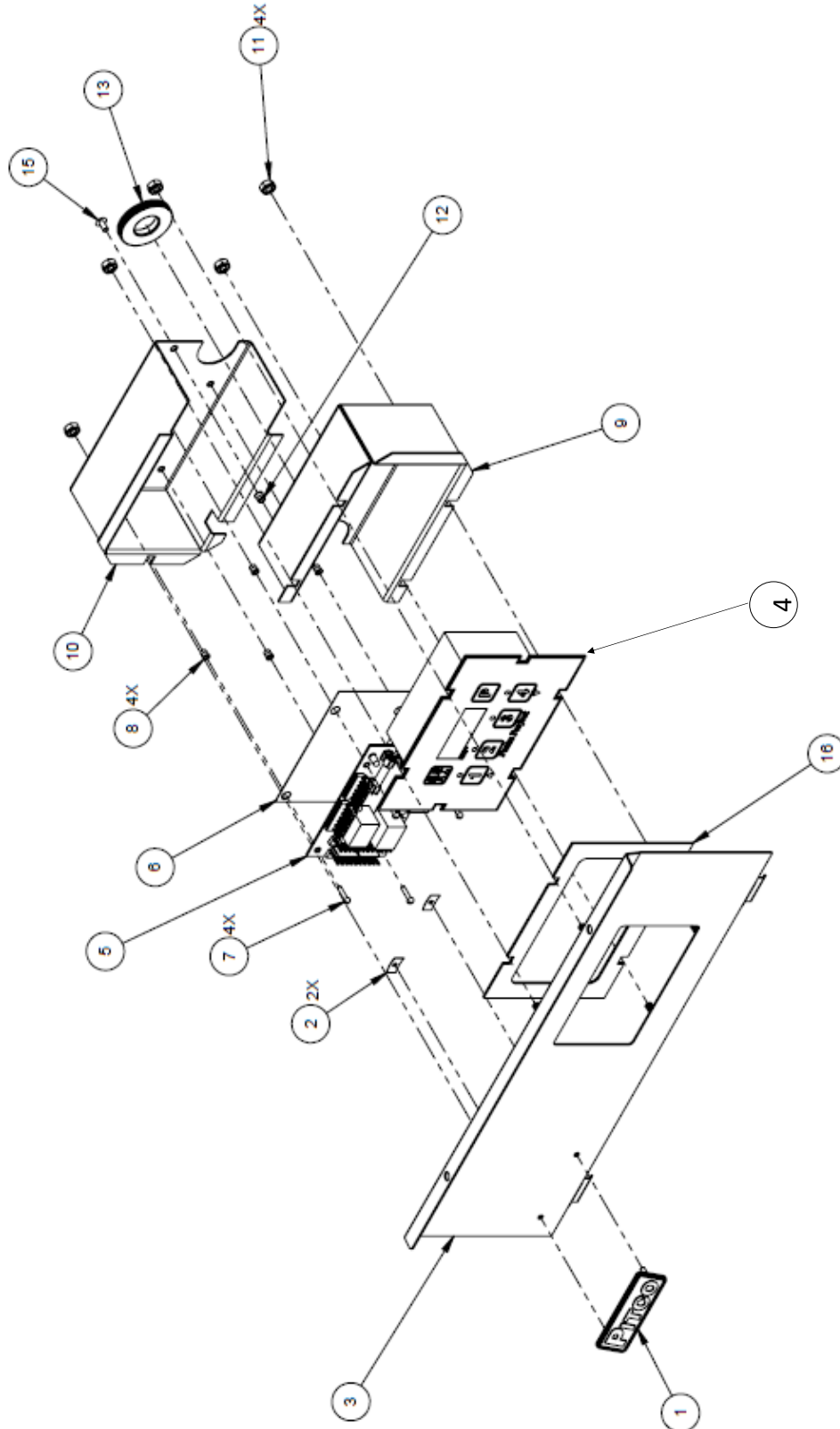
Item No	Part No	Description	Qty
1	P6094991	PITCO NPL,DIECAST 2 PIN	1
2	P0091500	TINNERMAN C-12003-017 #6	2
3	B3636303	FR PNL,BZL WLDMNT OG-SSP*14	1
4*	60158301	CNTRL,DIG PASTA TIMER OLIVE GARDEN	1
	60143704	CNTRL,DIG 4B SOLSTICE PASTA	1
	60143707	CNTRL,DIG 4B/8T SOLSTICE PASTA	1
5	60144002	CNTL,CLNSWP RLY BRD 24V KFC	1
6	60132602	INSULN, REL BRD CLEAN SWEEP SG	1
7	PP11312	SCR,4-40 X .500 RDN ZN	4
8	N/A	NUTSERT,4-40 UNO (Replace with 4-40 KEP Nut)	4
9	A3682401	FR PNL,CVR OG-SSP*14 CNTL	1
10	A3682402	FR PNL,CVR OG-SSP*14 WRBL	1
11	P0092300	NUT,HEX (KEP) 10-24 ZN	5
12	N/A	NUTSERT,6-32 UNC (Replace with 6-32 KEP Nut)	1
13	P6071227	GROMMET,.75ID X 1.63OD X 1.25G	1
14	B6761601	WRG,SOL TO UTOP DIG SSP*/SRT*	1
15	PP10687	SCR,6-32 X 5/16 TH PHILLIPS ZN	1
16	A3683501	FR PNL,CONTROL GASKET SSP*	1

*Verify proper part number by matching to the part number listed on the sticker on the back of the controller. See example sticker below



Part Number

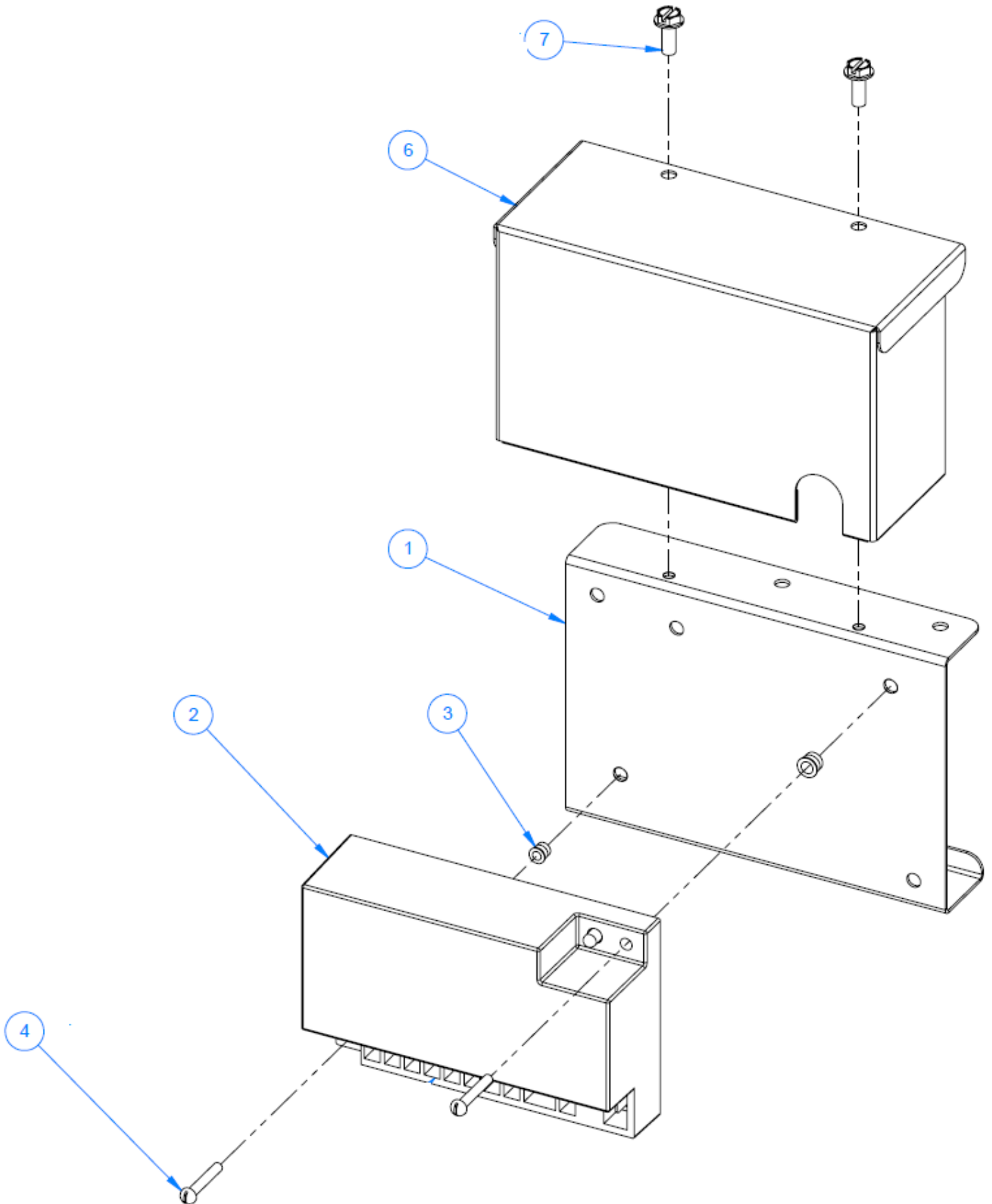
FRONT COMPONENT PANEL DRAWING



I) IGNITION MODULE PARTS

ITEM NO.	PART NO.	DESCRIPTION	QTY
1	A2038902	CNTRL BX,IGN MOD BRKT SSPG14	1
2	60152001	CONTL,IGN SPARK 24VAC CC 90SEC	1
3	N/A	NUTSERT 6-32 UNC (Replace with 6-32 KEP Nut)	2
4	PP10749	SCR,6-32 X 5/8 RDH PHILLIPS ZN	2
5	B6744602	WRG,HRN EI MOD NA LH	1
6	A2043401	CNTRL BX,IGN MOD CVR SSPG14	1
7	PP10023	SCR,10-24 X 3/8 SLF TAP	2

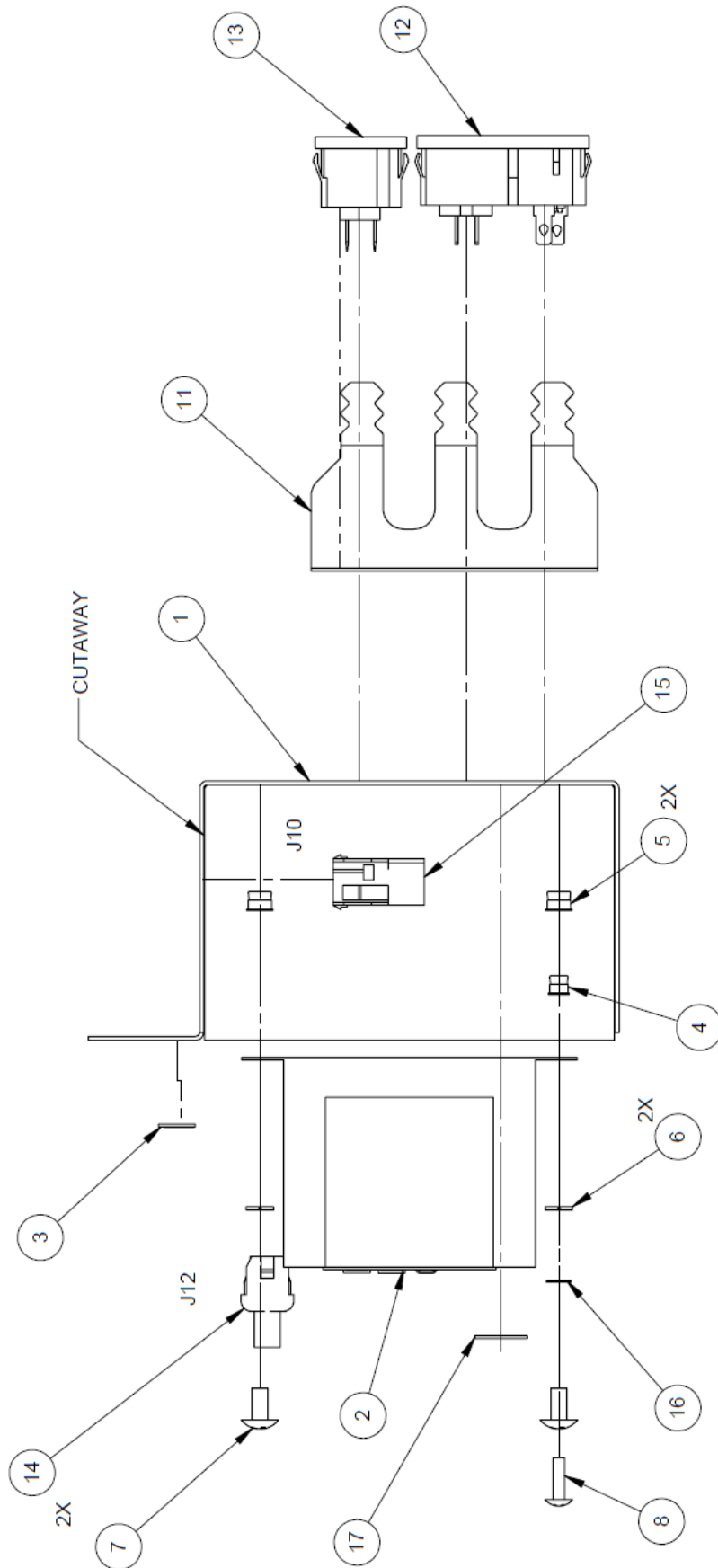
IGNITION MODULE DRAWING



J) ENTRANCE BOX PARTS

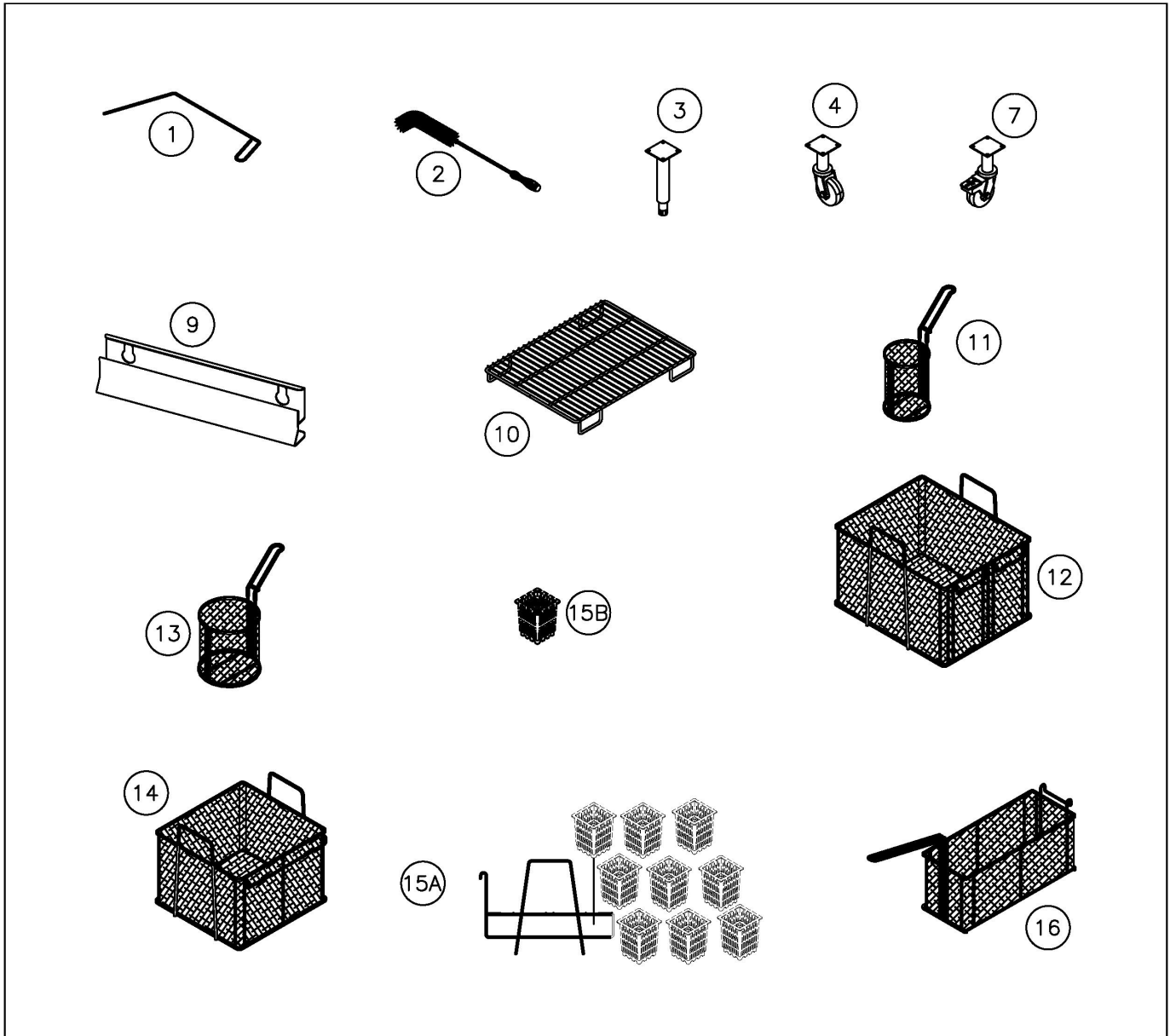
ITEM NO.	PART NO.	DESCRIPTION	QTY
1	A2971102	ENT BOX,PWR SPLY SSPG	1
2	PP10429	XFMR,80VA 120/208/240V TO 24V	1
3	A6084201	LBL,CONN IDENTIF SG MOD LH	1
4	N/A	NUTSERT 6-32 UNC (Replace with 6-32 KEP Nut)	1
5	N/A	NUTSERT 10-24 UNC (Replace with 10-24 KEP Nut)	2
6	P0082400	WSHR,LOCK #10 ZN (SPLIT)	2
7	PP10693	SCR,10-24 X 3/8 TH PHILLIPS ZN	2
8	PP10690	SCR,6-32 X 1/2 TH PHILLIPS ZN	1
9 (NOT SHOWN)	60127201	CAP,TAB .187 SERIES	2
11	A2968903	ENTR BOX,CORD RLF IEC TRP RH	1
12	60148401	CONN,PWR INL & OUT IEC320	1
13	PP11337	RCPT,10A-250V IEC-320 SNAP IN	1
14	B6748201	WRG,HRN XFMR BOX SG W/WRB	1
15	B6788101	WRG,SPINAL TAP SSPG	1
16	60127001	WHSR,LOCK #6 SST (INT TOOTH)	1
17	PP10020	LBL,GROUND SYMBOL	1
18 (NOT SHOWN)	B6787501	WRG, HARN SPNL TAP JMPR SSPG	1

ENTRANCE BOX DRAWING



K) ACCESSORIES

ITEM #	PART #	PART DESCRIPTION
1	A3305701	CLEAN-OUT ROD
2	PP10730	BRUSH,NYL FRYER-CLNR STR 416T
3	60132401	9" LEG
4	B392102	9" LEG SET OF 4 WITH HARDWARE (NOT SHOWN)
5	60115301	9" LEG WITH BOTTOM BOLT FLANGE ADJUSTABLE (NOT SHOWN)
6	PP10814	9" CASTER NON-LOCKING
7	PP10815	9" CASTER LOCKING
8	B3901504	9" CASTER SET OF 4 (2 LOCKING, 2 NON-LOCKING) (NOT SHOWN)
9	A1108001	BASKET HANGER, HEMMED HE PASTA
10	B4510101	WR/G,RACK PASTA BSKT PG14D,PPG
11	B4510001	WR/G,BSKT PST RND 4-7/8 REG
12	B4512702	WR/G,BSKT PST LG BULK FINE MSH
13	B4509901	WR/G,BSKT PST RND 6-1/2 REG
14	B4510202	WR/G,BSKT PST SM BULK FINE MSH
15A	B9010006	SET IND SERV BSKTS W/RACK
15B	P6071998	IND SERVING BASKET
16	B4509801	OBLONG BASKET



NOTES



CONTACT THE FACTORY

TECHNICAL SUPPORT

24 HOURS

Phone: +1 (603) 225-6684 Option 2

E-mail: techservice@pitco.com

PARTS IDENTIFICATION

Monday through Friday, 7AM—8PM EST

Phone: +1 (603) 225-6684 Option 3

E-mail: parts@pitco.com

Mail:

Pitco Frialator

P.O. Box 501

Concord, NH 03302-0501

Web:

<http://www.pitco.com>

Authorized Service and Parts Distributors Locator:

<https://www.pitco.com/english/service/get-in-touch/service>